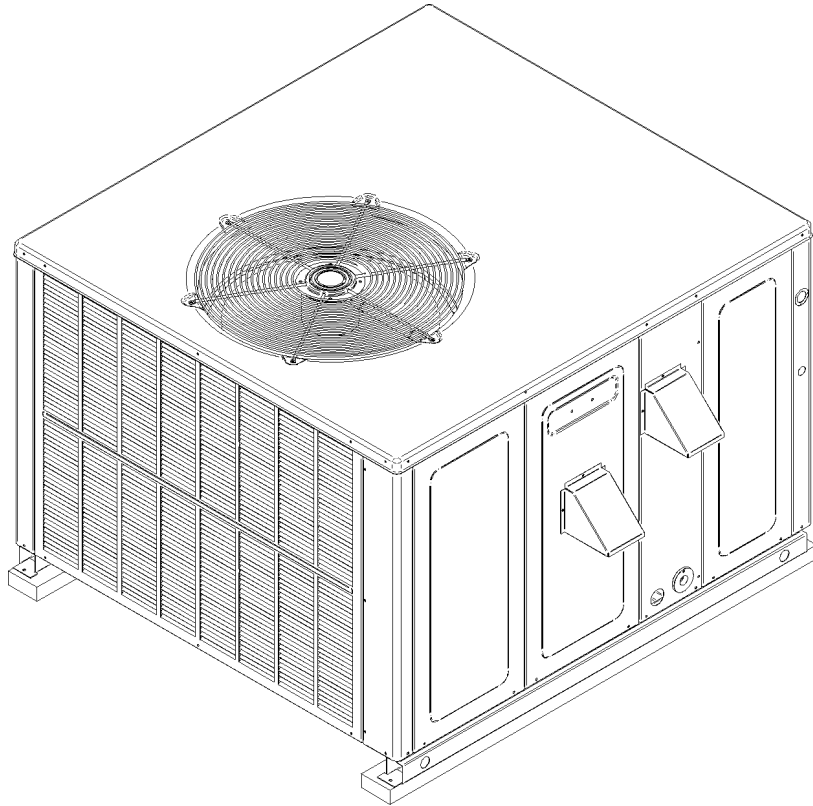


REPAIR PARTS

[A/G]PG15 Package Gas Unit

APG152407041BA
APG152407041CA
APG153009041BA
APG153009041CA
APG153709041BA
APG153709041CA
APG154211541BA
APG154211541CA
APG154911541BA
APG154911541CA
APG156014041BA
APG156014041CA
GPG152407041BA
GPG152407041CA
GPG153009041BA
GPG153009041CA
GPG153709041BA
GPG153709041CA
GPG154211541BA
GPG154211541CA
GPG154911541BA
GPG154911541CA
GPG156014041BA
GPG156014041CA



This manual is to be used by qualified technicians only.

This manual replaces RP-705.

© 2012-2013,2015 Goodman Manufacturing Company, L.P. ♦ 5151 San Felipe, Suite 500 ♦ Houston, TX 77056

Important Information

Index

| | |
|------------------------------|--------|
| Functional Parts List | 3 |
| Illustration and Parts | 4 - 15 |

Views shown are for parts illustrations only, not servicing procedures

Rev A: Addition of models with Braod Ocean Digi Motors.
4-14-15: Added TXV valve
7-9-15: Added flue hood part number

Text Codes:

- AR - As Required
- NA - Not Available
- NS - Not Shown
- 00000000 - See Note
- QTY - Quantity Example (QTY 3) (If Quantity not shown, Quantity = 1)
- M - Model Example (M1) (If M Code not shown, then part is used on all Models)

Expanded Model Nomenclature:

| |
|---|
| Example M1 - Model#1 M2 - Model#2 M3 - Model#3 |
|---|

Goodman Manufacturing Company, L.P. is not responsible for personal injury or property damage resulting from improper service. Review all service information before beginning repairs.

Warranty service must be performed by an authorized technician, using authorized factory parts. If service is required after the warranty expires, Goodman Manufacturing Company, L.P. also recommends contacting an authorized technician and using authorized factory parts.

Goodman Manufacturing Company, L.P. reserves the right to discontinue, or change at any time, specifications or designs without notice or without incurring obligations.

For assistance within the U.S.A. contact:
Consumer Affairs Department
Goodman Manufacturing Company, L.P.
7401 Security Way
Houston, Texas 77040
877-254-4729-Telephone
713-863-2382-Facsimile

For assistance outside the U.S.A. contact:
International Division
Goodman Manufacturing Company, L.P.
7401 Security Way
Houston, Texas 77040
713-861-2500-Telephone
713-863-2382-Facsimile

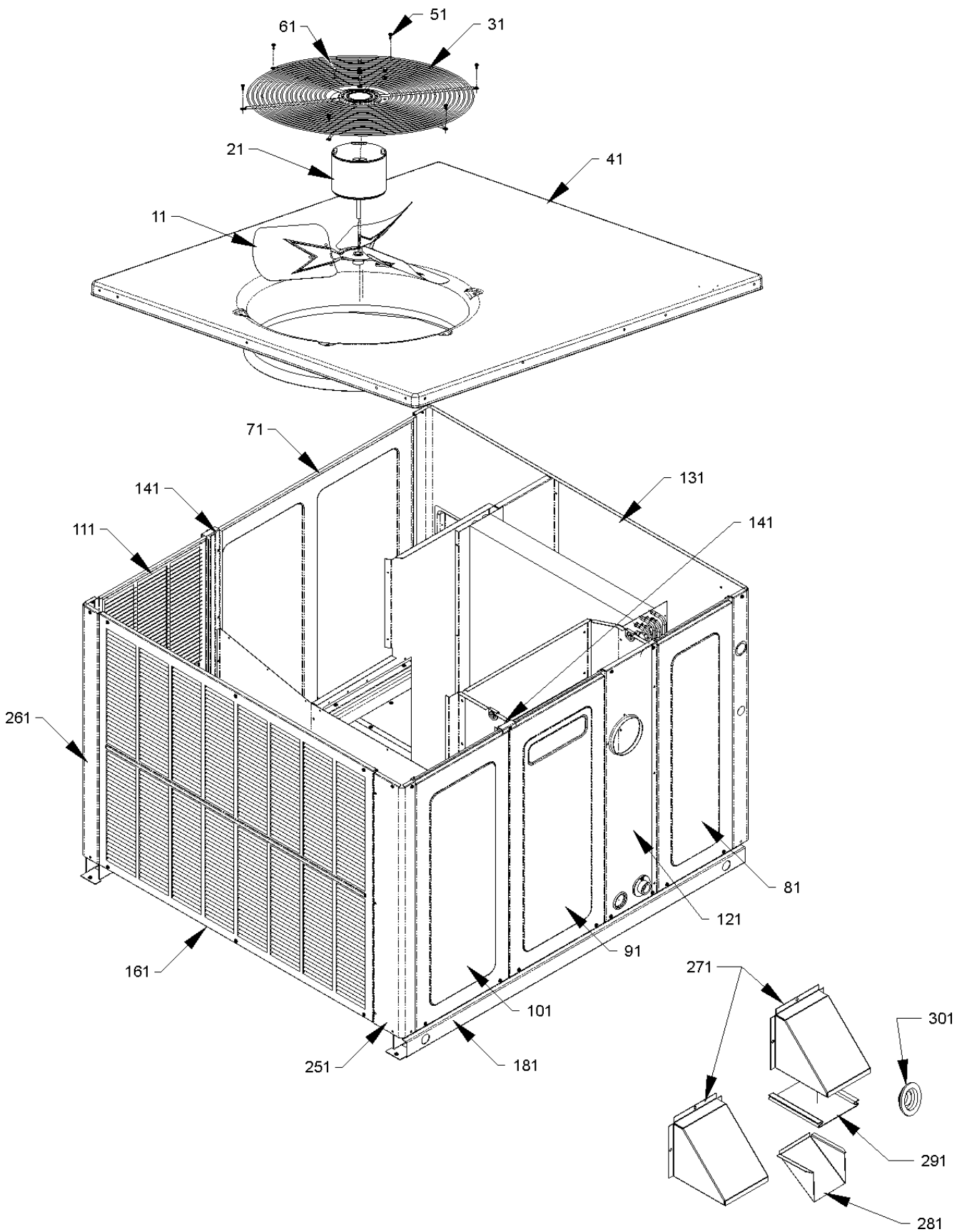
Functional Parts

Part

No: Description:

| Part No: | Description: | Part No: | Description: |
|----------------|---|-----------------------------|---|
| 20269903 | AUXILIARY LIMIT, AUTO RESET | 0131M00373 | MOTOR-1/2 HP PROGRAMMED SELEC (M3, M15) |
| 10735102 | BECKETT BURNER (QTY A/R) | 0131M00364 | MOTOR-1/2 HP PROGRAMMED SELEC (M1, M13) |
| D6723303 | BLOWER WHEEL (M3, M4, M5, M6, M15, M16, M17, M18) | PCBAG127 | PCB, IGNITION, DSI, 2 STG |
| B1368058 | BLOWER WHEEL 10 X 8 (M1, M2, M13, M14) | 11112501 | PRESSURE SWITCH |
| B1368000 | BLOWER WHEEL 11 X 10 (M7, M8, M9, M10, M11, M12, M19, M20, M21, M22, M23, M24) | 0131M00444 | PROGRAMMED MOTOR (M12, M24) |
| CAP050350440R | CAPACITOR 5/35/440V (M1, M2, M13, M14) | 0131M00437 | PROGRAMMED MOTOR (M6, M18) |
| CAP050400440CT | CAPACITOR 5/40/440V/DUAL RD (M3, M4, M11, M12, M15, M16, M23, M24) | 0131M00439 | PROGRAMMED MOTOR (M10, M22) |
| CAP050450440CT | CAPACITOR 5/45/440V/DUAL RD (M5, M6, M7, M8, M9, M10, M17, M18, M19, M20, M21, M22) | 0131M00445 | PROGRAMMED MOTOR (M2, M14) |
| 20520901 | CAPACITOR STRAP | 0131M00446 | PROGRAMMED MOTOR (M4, M16) |
| ZPS51K5EPFV130 | COMP, 51900/208/230/60/1 (M11, M12, M23, M24) | 0131M00438 | PROGRAMMED MOTOR (M8, M20) |
| ZP20K5EPFV130 | COMPRESSOR 20000, 208/230/60/1 (M1, M2, M13, M14) | B1141643 | TRANSFORMER 208/230, 24V |
| ZP25K5EPFV130 | COMPRESSOR 25200, 208/230/60/1 (M3, M4, M15, M16) | 0151M00017 | VALVE-TXV (M11, M12, M23, M24) |
| ZP31K5EPFV130 | COMPRESSOR 31100, 208/230/60/1 (M5, M6, M17, M18) | Expanded Model Nomenclature | |
| ZP34K5EPFV130 | COMPRESSOR 34500, 208/230/60/1 (M7, M8, M19, M20) | M1 - APG152407041BA | |
| ZP39K5EPFV130 | COMPRESSOR 39000, 208/230/60/1 (M9, M10, M21, M22) | M2 - APG152407041CA | |
| 0131M00007P | COND MOTOR 1/4 HP, 1 SP, 6 PL (M7, M8, M9, M10, M11, M12, M19, M20, M21, M22, M23, M24) | M3 - APG153009041BA | |
| 0131M00061 | COND MOTOR 1/4 HP, 1 SP, 8 PL (M3, M4, M5, M6, M15, M16, M17, M18) | M4 - APG153009041CA | |
| 0131M00009P | COND MOTOR 1/6 HP, 1 SP, 8 PL (M1, M2, M13, M14) | M5 - APG153709041BA | |
| CONT1P025024V | CONTACTOR 25 AMP, 1P, 24V (M1, M2, M3, M4, M5, M6, M13, M14, M15, M16, M17, M18) | M6 - APG153709041CA | |
| CONT1P030024V | CONTACTOR 30 AMP, 1P, 24V (M7, M8, M9, M10, M19, M20, M21, M22) | M7 - APG154211541BA | |
| CONT2P040024V | CONTACTOR 40 AMP, 2P, 24V (M11, M12, M23, M24) | M8 - APG154211541CA | |
| 0130M00074 | CUT-OUT SWITCH, HIGH PRESSURE | M9 - APG154911541BA | |
| 0130M00087 | CUT-OUT SWITCH, LOW PRESSURE | M10 - APG154911541CA | |
| B1086773 | FAN BLADE 22" (M1, M2, M13, M14) | M11 - APG156014041BA | |
| 0150G00003 | FAN BLADE SWEPT-WING (M7, M8, M9, M10, M11, M12, M19, M20, M21, M22, M23, M24) | M12 - APG156014041CA | |
| 0150G00002 | FAN BLADE SWEPT-WING (M3, M4, M5, M6, M15, M16, M17, M18) | M13 - GPG152407041BA | |
| 0130F00010 | FLAME SENSOR | M14 - GPG152407041CA | |
| 0151F00000P | GAS VALVE - WHITE-RODGERS 2-STAGE | M15 - GPG153009041BA | |
| 0130F00014 | IGNITOR | M16 - GPG153009041CA | |
| 10728343 | LIMIT SWITCH (M1, M2, M3, M4, M5, M6, M11, M12, M13, M14, M15, M16, M17, M18, M23, M24) | M17 - GPG153709041BA | |
| 10728344 | LIMIT SWITCH (M7, M8, M9, M10, M19, M20, M21, M22) | M18 - GPG153709041CA | |
| 10123529 | MANUAL RESET LIMIT-GREEN | M19 - GPG154211541BA | |
| 0131M00335 | MOTOR - 1 HP PROGRAMMED SELEC (M11, M23) | M20 - GPG154211541CA | |
| 0131M00356 | MOTOR - 3/4 HP PROGRAMMED SELE (M9, M21) | M21 - GPG154911541BA | |
| 0131M00351 | MOTOR - 3/4 HP PROGRAMMED SELE (M7, M19) | M22 - GPG154911541CA | |
| 0131M00376 | MOTOR-1/2 HP PROGRAMMED SELEC (M5, M17) | M23 - GPG156014041BA | |
| | | M24 - GPG156014041CA | |

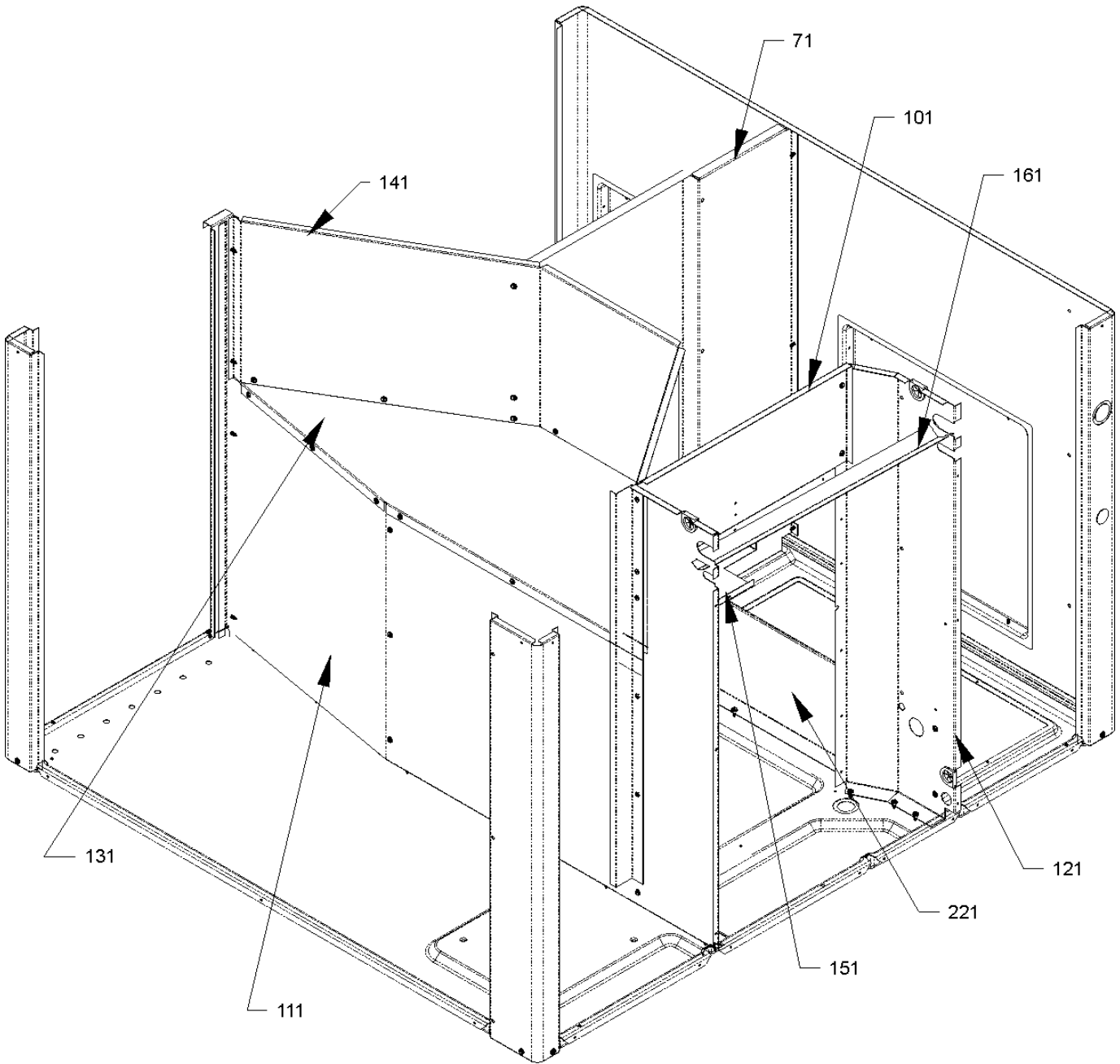
Top Panel/Fan/Cabinet



Top Panel/Fan/Cabinet

| Ref. Part No: | No: | Description: | Ref. Part No: | No: | Description: |
|-----------------|---------------|---|------------------------------------|--------------|---|
| <i>Image 1:</i> | | | <i>Image 1:</i> | | |
| 11 | B1086773 | FAN BLADE 22" (M1, M2, M13, M14) | 261 | 0121G00454DG | CORNER-POST HPIN END, PNT (M1, M2, M3, M4, M5, M6, M13, M14, M15, M16, M17, M18) |
| 11 | 0150G00002 | FAN BLADE SWEPT-WING (M3, M4, M5, M6, M15, M16, M17, M18) | 261 | 0121G00456DG | CORNER-POST HPIN END, PNT (M7, M8, M9, M10, M11, M12, M19, M20, M21, M22, M23, M24) |
| 11 | 0150G00003 | FAN BLADE SWEPT-WING (M7, M8, M9, M10, M11, M12, M19, M20, M21, M22, M23, M24) | 271 | 0121G00323 | FLUE HOOD (QTY 2) |
| 21 | 0131M00007P | COND MOTOR 1/4 HP, 1 SP, 6 PL (M7, M8, M9, M10, M11, M12, M19, M20, M21, M22, M23, M24) | 281 | 0121G00190 | FLUE HOOD-LOWER |
| 21 | 0131M00061 | COND MOTOR 1/4 HP, 1 SP, 8 PL (M3, M4, M5, M6, M15, M16, M17, M18) | 291 | 20472601 | SCREEN-FLUE HOOD |
| 21 | 0131M00009P | COND MOTOR 1/6 HP, 1 SP, 8 PL (M1, M2, M13, M14) | 301 | B1910012 | GAS LINE GROMMET |
| 31 | 0152G00003 | FAN GRILLE | NS | 1778800083F | PVC CONDUIT 8.25" |
| 41 | 0121G00156PDG | PNL, TOP, PNT | NS | 0259G00041 | WIRE HARNESS, FAN MOTOR (M1, M2, M13, M14) |
| 51 | M0221817 | SMALL SCREW (QTY 6) | NS | 0259G00088 | WIRE HARNESS, FAN MOTOR (M7, M8, M19, M20) |
| 61 | 0163M00006P | ACORN NUT 5/16 HEX BLACK (QTY 4) | NS | 0259G00089 | WIRE HARNESS, FAN MOTOR (M3, M4, M5, M6, M15, M16, M17, M18) |
| 71 | 20464801PDG | BLOWER DOOR 32" (M1, M2, M3, M4, M5, M6, M13, M14, M15, M16, M17, M18) | NS | 0259G00117 | WIRE HARNESS-FAN (M9, M10, M11, M12, M21, M22, M23, M24) |
| 71 | 20464806PDG | BLOWER DOOR 40" (M7, M8, M9, M10, M11, M12, M19, M20, M21, M22, M23, M24) | Expanded Model Nomenclature | | |
| 81 | 20464802PDG | EVAP/CONTROL DOOR 32" (M1, M2, M3, M4, M5, M6, M13, M14, M15, M16, M17, M18) | M1 - APG152407041BA | | |
| 81 | 20464807PDG | EVAP/CONTROL DOOR 40" (M7, M8, M9, M10, M11, M12, M19, M20, M21, M22, M23, M24) | M2 - APG152407041CA | | |
| 91 | 0121G00179DG | HEAT EXCHANGER DOOR 32" (M5, M6, M17, M18) | M3 - APG153009041BA | | |
| 91 | 0121G00181DG | HEAT EXCHANGER DOOR 40" (M7, M8, M9, M10, M11, M12, M19, M20, M21, M22, M23, M24) | M4 - APG153009041CA | | |
| 101 | 20464804PDG | COMPRESSOR DOOR 32" (M1, M2, M3, M4, M5, M6, M13, M14, M15, M16, M17, M18) | M5 - APG153709041BA | | |
| 101 | 20464809PDG | COMPRESSOR DOOR 40" (M7, M8, M9, M10, M11, M12, M19, M20, M21, M22, M23, M24) | M6 - APG153709041CA | | |
| 111 | 0121G00465DG | PANEL-COND SIDE 32" (M1, M2, M3, M4, M5, M6, M13, M14, M15, M16, M17, M18) | M7 - APG154211541BA | | |
| 111 | 0121G00467DG | PANEL-COND SIDE 40, PNT (M7, M8, M9, M10, M11, M12, M19, M20, M21, M22, M23, M24) | M8 - APG154211541CA | | |
| 121 | 20466101PDG | UTILITY PANEL 32" (M1, M2, M3, M4, M5, M6, M13, M14, M15, M16, M17, M18) | M9 - APG154911541BA | | |
| 121 | 20466102PDG | UTILITY PANEL 40" (M7, M8, M9, M10, M11, M12, M19, M20, M21, M22, M23, M24) | M10 - APG154911541CA | | |
| 131 | 0121G00442DG | PNL, DUCT, GAS 32.5" (M1, M2, M3, M4, M5, M6, M13, M14, M15, M16, M17, M18) | M11 - APG156014041BA | | |
| 131 | 0121G00443DG | PNL, DUCT, GAS 40" (M7, M8, M9, M10, M11, M12, M19, M20, M21, M22, M23, M24) | M12 - APG156014041CA | | |
| 141 | 0121G00208 | SUPPORT POST 32" (M1, M2, M3, M4, M13, M14, M15, M16) | M13 - GPG152407041BA | | |
| 141 | 0121G00209 | SUPPORT POST 40" (M7, M8, M9, M10, M11, M12, M19, M20, M21, M22, M23, M24) | M14 - GPG152407041CA | | |
| 161 | 20464401PLG | LOUVERED PANEL, COND SIDE 32" (M1, M2, M3, M4, M5, M6, M13, M14, M15, M16, M17, M18) | M15 - GPG153009041BA | | |
| 161 | 20464402PLG | LOUVERED PANEL, COND SIDE 40" (M7, M8, M9, M10, M11, M12, M19, M20, M21, M22, M23, M24) | M16 - GPG153009041CA | | |
| 181 | 0121G00290 | BASE PAN RAIL (QTY 2) | M17 - GPG153709041BA | | |
| 251 | 0121G00453DG | CORNER-POST COMP END, PNT (M1, M2, M3, M4, M5, M6, M13, M14, M15, M16, M17, M18) | M18 - GPG153709041CA | | |
| 251 | 0121G00455DG | CORNER-POST COMP END, PNT (M7, M8, M9, M10, M11, M12, M19, M20, M21, M22, M23, M24) | M19 - GPG154211541BA | | |
| | | | M20 - GPG154211541CA | | |
| | | | M21 - GPG154911541BA | | |
| | | | M22 - GPG154911541CA | | |
| | | | M23 - GPG156014041BA | | |
| | | | M24 - GPG156014041CA | | |

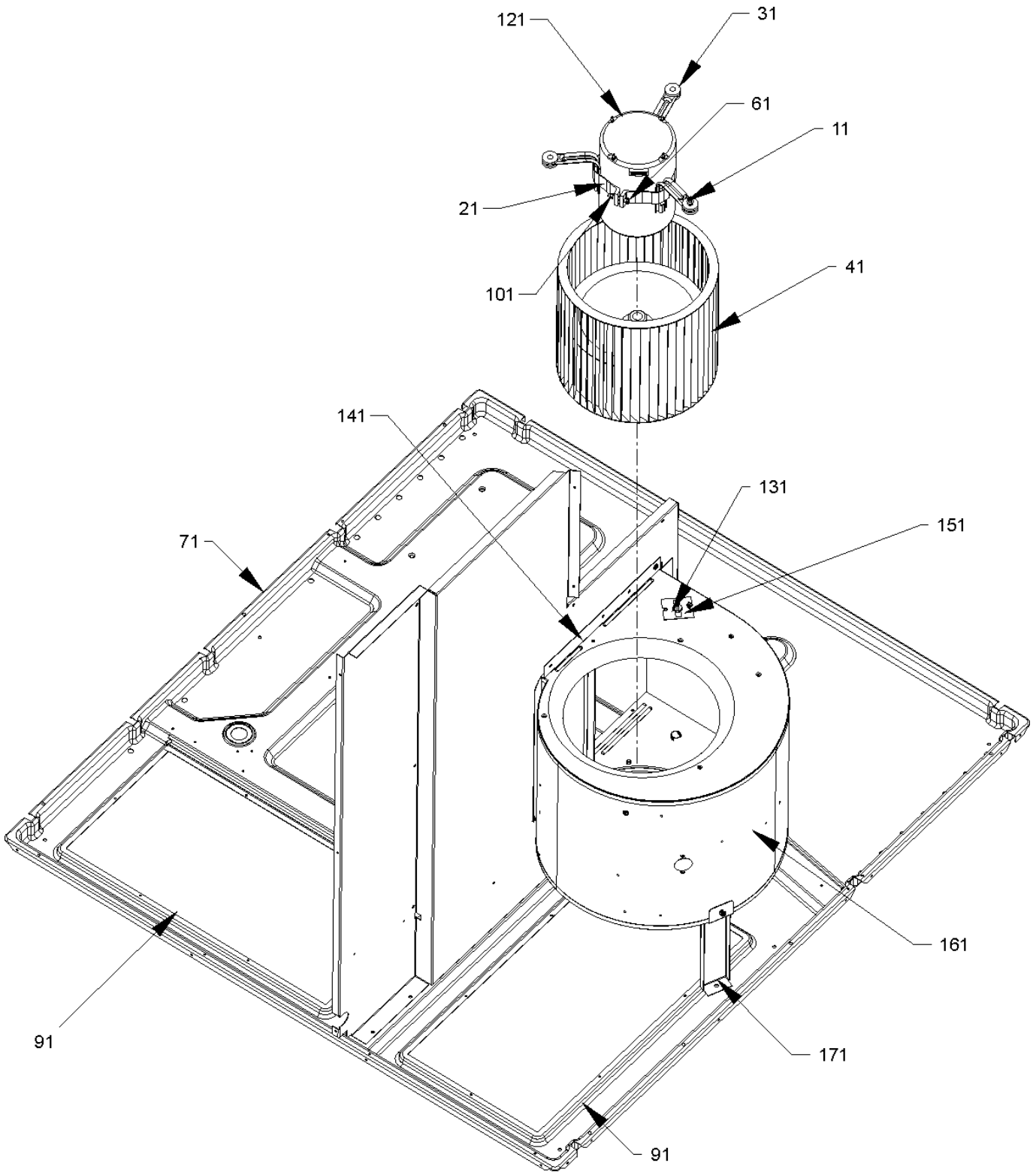
Partition Panels



Partition Panels

| Ref. Part | | | Ref. Part | | |
|-----------------|------------|---|-----------------------------|-----|----------------|
| No: | No: | Description: | No: | No: | Description: |
| <i>Image 1:</i> | | | Expanded Model Nomenclature | | |
| 71 | 20465305 | BLOWER DIVIDER (M1, M2, M13, M14) | M1 | - | APG152407041BA |
| 71 | 20465304 | BLOWER DIVIDER 32" 10 X 9 (M3, M4, M5, M6, M15, M16, M17, M18) | M2 | - | APG152407041CA |
| 71 | 0121G00177 | BLOWER DIVIDER 38" (M7, M8, M9, M10, M11, M12, M19, M20, M21, M22, M23, M24) | M3 | - | APG153009041BA |
| 101 | 20465201 | FILLER PANEL, HEAT EXCHANGER 32" (M1, M2, M3, M4, M5, M6, M13, M14, M15, M16, M17, M18) | M4 | - | APG153009041CA |
| 101 | 20465202 | FILLER PANEL, HEAT EXCHANGER 40" (M7, M8, M9, M10, M11, M12, M19, M20, M21, M22, M23, M24) | M5 | - | APG153709041BA |
| 111 | 0121G00360 | PNL, PTN, 32.5" (M1, M2, M3, M4, M5, M6, M13, M14, M15, M16, M17, M18) | M6 | - | APG153709041CA |
| 111 | 0121G00361 | PNL, PTN, 40" (M7, M8, M9, M10, M11, M12, M19, M20, M21, M22, M23, M24) | M7 | - | APG154211541BA |
| 121 | 20465501 | EVAP/HEAT EXCHANGER DIVIDER 32" (M1, M2, M3, M4, M5, M6, M13, M14, M15, M16, M17, M18) | M8 | - | APG154211541CA |
| 121 | 20465502 | EVAP/HEAT EXCHANGER DIVIDER 38" (M7, M8, M9, M10, M11, M12, M19, M20, M21, M22, M23, M24) | M9 | - | APG154911541BA |
| 131 | 20465701 | FAN PARTITION SHELF (M3, M4, M5, M6, M7, M8, M9, M10, M11, M12, M15, M16, M17, M18, M19, M20, M21, M22, M23, M24) | M10 | - | APG154911541CA |
| 141 | 20465801 | FAN SURROUND 32" (M1, M2, M3, M4, M5, M6, M13, M14, M15, M16, M17, M18) | M11 | - | APG156014041BA |
| 141 | 20465802 | FAN SURROUND 40" (M7, M8, M9, M10, M11, M12, M19, M20, M21, M22, M23, M24) | M12 | - | APG156014041CA |
| 151 | 20472501 | SHIELD, HEAT EXCHANGER TUBES | M13 | - | GPG152407041BA |
| 161 | 20496801 | DRAIN CHANNEL, SUCTION TUBE | M14 | - | GPG152407041CA |
| 221 | 20463802 | EVAP/BASEPAN BLOCK 32" (M1, M2, M3, M4, M5, M6, M13, M14, M15, M16, M17, M18) | M15 | - | GPG153009041BA |
| 221 | 20463801 | EVAP/BASEPAN BLOCK 40" (M7, M8, M9, M10, M11, M12, M19, M20, M21, M22, M23, M24) | M16 | - | GPG153009041CA |
| | | | M17 | - | GPG153709041BA |
| | | | M18 | - | GPG153709041CA |
| | | | M19 | - | GPG154211541BA |
| | | | M20 | - | GPG154211541CA |
| | | | M21 | - | GPG154911541BA |
| | | | M22 | - | GPG154911541CA |
| | | | M23 | - | GPG156014041BA |
| | | | M24 | - | GPG156014041CA |

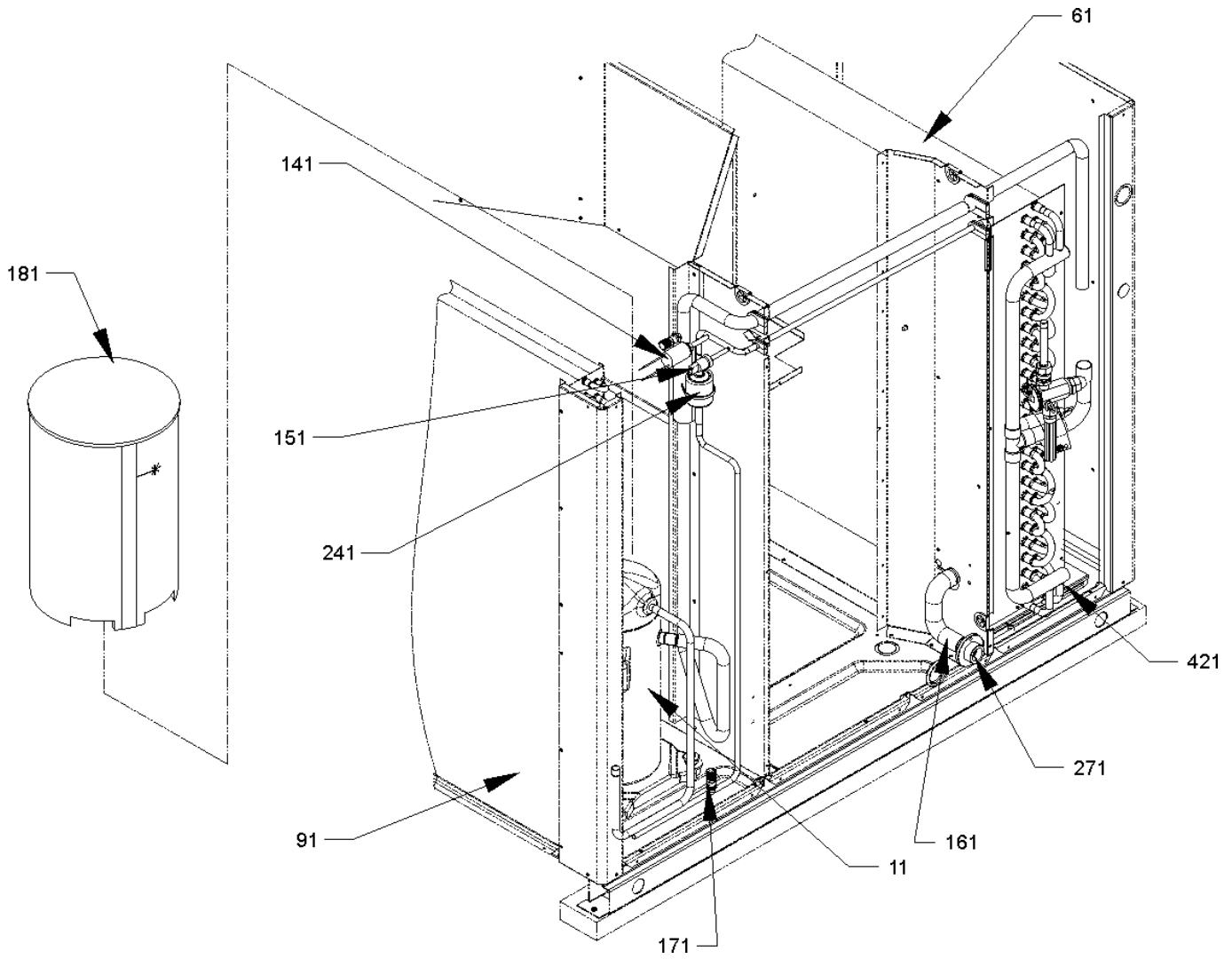
Basepan/Blower Assembly



Basepan/Blower Assembly

| Ref. Part No: | No: | Description: | Ref. Part No: | No: | Description: |
|-----------------|-------------|---|-----------------------------|-----|----------------|
| <i>Image 1:</i> | | | Expanded Model Nomenclature | | |
| 11 | M0250565 | TC SCREW 1.25" (QTY 3) | M1 | - | APG152407041BA |
| 21 | 0121M00038 | MOTOR MOUNT BAND | M2 | - | APG152407041CA |
| 31 | B1376857 | MOTOR MOUNT ARM (QTY 3) | M3 | - | APG153009041BA |
| 41 | D6723303 | BLOWER WHEEL (M3, M4, M5, M6, M15, M16, M17, M18) | M4 | - | APG153009041CA |
| 41 | B1368058 | BLOWER WHEEL 10 X 8 (M1, M2, M13, M14) | M5 | - | APG153709041BA |
| 41 | B1368000 | BLOWER WHEEL 11 X 10 (M7, M8, M9, M10, M11, M12, M19, M20, M21, M22, M23, M24) | M6 | - | APG153709041CA |
| 61 | B1393323 | MACHINE SCREW HWH 1/4-20 X 1-1/2 BZ | M7 | - | APG154211541BA |
| 71 | 0121G00444 | BASEPAN, PACKAGE | M8 | - | APG154211541CA |
| 91 | 0121G00148 | SINGLE COVER, DOWN DISCHARGE (M1, M2, M3, M4, M5, M6, M13, M14, M15, M16, M17, M18) | M9 | - | APG154911541BA |
| 101 | B1393800 | LOCKNUT, NYLON, INSERT 1/4, 20 | M10 | - | APG154911541CA |
| 121 | 0131M00335 | MOTOR - 1 HP PROGRAMMED SELEC (M11, M23) | M11 | - | APG156014041BA |
| 121 | 0131M00351 | MOTOR - 3/4 HP PROGRAMMED SELE (M7, M19) | M12 | - | APG156014041CA |
| 121 | 0131M00356 | MOTOR - 3/4 HP PROGRAMMED SELE (M9, M21) | M13 | - | GPG152407041BA |
| 121 | 0131M00364 | MOTOR-1/2 HP PROGRAMMED SELEC (M1, M13) | M14 | - | GPG152407041CA |
| 121 | 0131M00373 | MOTOR-1/2 HP PROGRAMMED SELEC (M3, M15) | M15 | - | GPG153009041BA |
| 121 | 0131M00376 | MOTOR-1/2 HP PROGRAMMED SELEC (M5, M17) | M16 | - | GPG153009041CA |
| 121 | 0131M00437 | PROGRAMMED MOTOR (M6, M18) | M17 | - | GPG153709041BA |
| 121 | 0131M00438 | PROGRAMMED MOTOR (M8, M20) | M18 | - | GPG153709041CA |
| 121 | 0131M00439 | PROGRAMMED MOTOR (M10, M22) | M19 | - | GPG154211541BA |
| 121 | 0131M00444 | PROGRAMMED MOTOR (M12, M24) | M20 | - | GPG154211541CA |
| 121 | 0131M00445 | PROGRAMMED MOTOR (M2, M14) | M21 | - | GPG154911541BA |
| 121 | 0131M00446 | PROGRAMMED MOTOR (M4, M16) | M22 | - | GPG154911541CA |
| 131 | 20269903 | AUXILIARY LIMIT, AUTO RESET | M23 | - | GPG156014041BA |
| 151 | 2509503F | AUXILIARY LIMIT BRACKET | M24 | - | GPG156014041CA |
| 161 | 0271F00001P | BLOWER HOUSING ASSY 10 X 8 (M1, M2, M13, M14) | | | |
| 161 | 0271G00024 | BLOWER HOUSING ASSY 10 X 9 (M3, M4, M5, M6, M15, M16, M17, M18) | | | |
| 161 | 2539309 | BLOWER HOUSING ASSY 11 X 10 (M7, M8, M9, M10, M11, M12, M19, M20, M21, M22, M23, M24) | | | |
| 171 | 4322801 | 11 X 10 BLOWER SUPPORT LRG (M7, M8, M9, M10, M11, M12, M19, M20, M21, M22, M23, M24) | | | |
| NS | 764742 | BLOWER BLOCK-OFF (M3, M4, M5, M6, M15, M16, M17, M18) | | | |
| NS | 764740F | BLOWER BLOCK-OFF 10 X 8 (M1, M2, M13, M14) | | | |
| NS | 1864703F | BLOWER CUT-OFF (M7, M8, M9, M10, M11, M12, M19, M20, M21, M22, M23, M24) | | | |

Compressor/Tubing Assembly



Compressor/Tubing Assembly

**Ref. Part
No: No:**

Description:

**Ref. Part
No: No:**

Description:

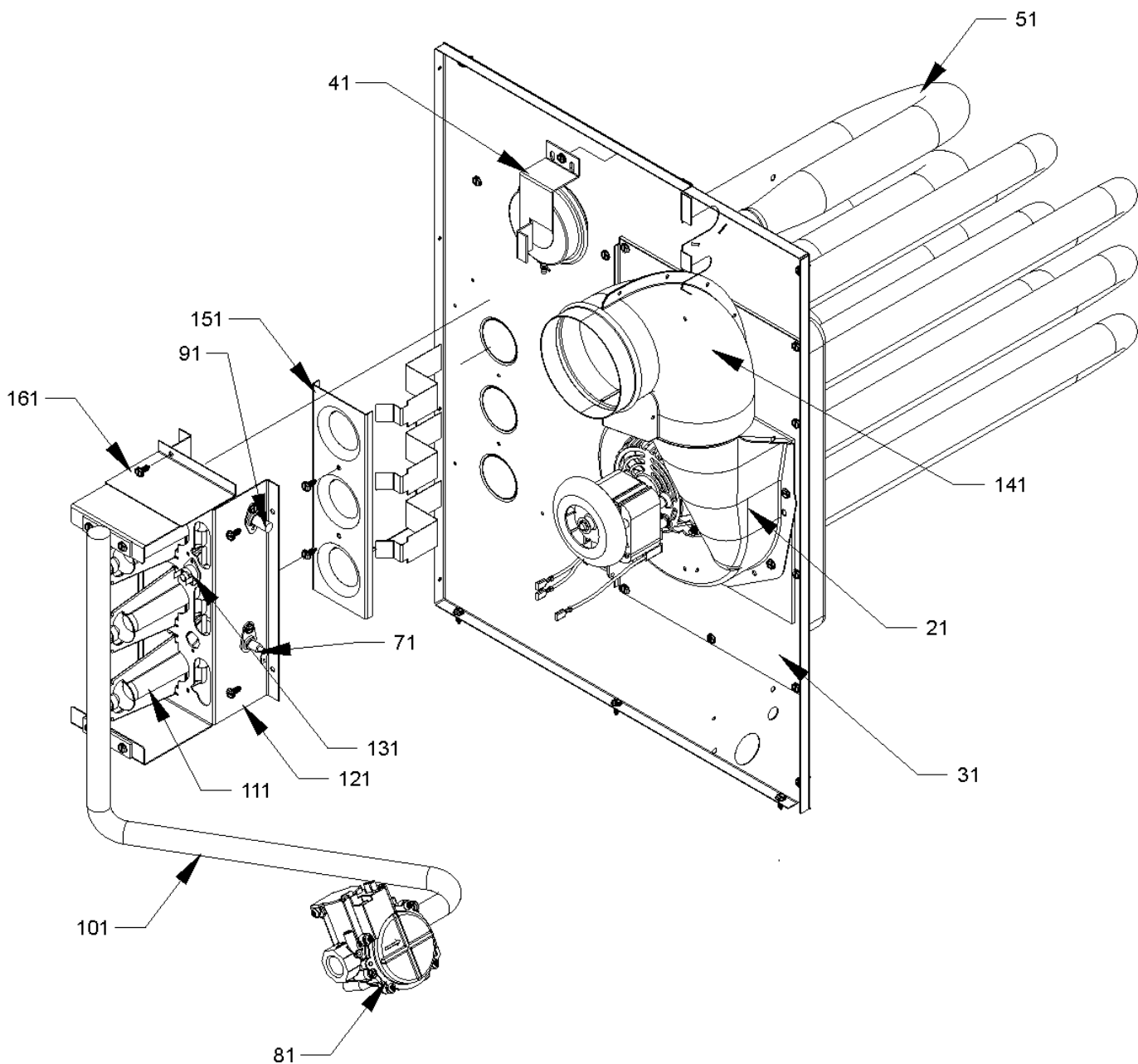
Image 1:

| | | |
|-----|----------------|---|
| 11 | ZPS51K5EPFV130 | COMP, 51900/208/230/60/1 (M11, M12, M23, M24) |
| 11 | ZP20K5EPFV130 | COMPRESSOR 20000, 208/230/60/1 (M1, M2, M13, M14) |
| 11 | ZP25K5EPFV130 | COMPRESSOR 25200, 208/230/60/1 (M3, M4, M15, M16) |
| 11 | ZP31K5EPFV130 | COMPRESSOR 31100, 208/230/60/1 (M5, M6, M17, M18) |
| 11 | ZP34K5EPFV130 | COMPRESSOR 34500, 208/230/60/1 (M7, M8, M19, M20) |
| 11 | ZP39K5EPFV130 | COMPRESSOR 39000, 208/230/60/1 (M9, M10, M21, M22) |
| 61 | 0202G00370 | EVAP COIL ASSY (M1, M2, M13, M14) |
| 61 | 0202G00375 | EVAP COIL ASSY (M11, M12, M23, M24) |
| 61 | 0202G00376 | EVAP COIL ASSY (M3, M4, M15, M16) |
| 61 | 0202G00377 | EVAP COIL ASSY (M5, M6, M17, M18) |
| 61 | 0202G00378 | EVAP COIL ASSY (M7, M8, M19, M20) |
| 61 | 0202G00379 | EVAP COIL ASSY (M9, M10, M21, M22) |
| 91 | 0201G00249 | CONDENSER COIL ASSY (M1, M2, M3, M4, M13, M14, M15, M16) |
| 91 | 0201G00252 | CONDENSER COIL ASSY (M7, M8, M9, M10, M11, M12, M19, M20, M21, M22, M23, M24) |
| 91 | 0201G00262 | CONDENSER COIL ASSY (M5, M6, M17, M18) |
| 141 | 0130M00074 | CUT-OUT SWITCH, HIGH PRESSURE |
| 151 | 0130M00087 | CUT-OUT SWITCH, LOW PRESSURE |
| 161 | 20498302 | DRAIN TUBE 32" (M7, M8, M9, M10, M11, M12, M19, M20, M21, M22, M23, M24) |
| 161 | 20498301 | DRAIN TUBE 40" (M1, M2, M3, M4, M5, M6, M13, M14, M15, M16, M17, M18) |
| 171 | 0163M00175 | CAP WITH O-RING (QTY 2) |
| 181 | B1488806 | COMPRESSOR SOUND BLANKET (M7, M8, M9, M10, M11, M12) |
| 181 | B1488807 | COMPRESSOR SOUND BLANKET (M1, M2, M3, M4, M5, M6) |
| 241 | 0162R00009 | FILTER DRIER |
| 271 | 20513001 | EVAP DRAIN FITTING |
| 421 | 20464901DF | DRAIN PAN-EVAP COIL |
| NS | M0250565 | TC SCREW 1.25" (M1, M2, M13, M14) |
| NS | M0221641 | TF SHOULDER SCREW (M3, M4, M5, M6, M7, M8, M9, M10, M11, M12, M15, M16, M17, M18, M19, M20, M21, M22, M23, M24) |
| NS | 0151M00017 | VALVE-TXV (M11, M12, M23, M24) |

Expanded Model Nomenclature

| |
|----------------------|
| M1 - APG152407041BA |
| M2 - APG152407041CA |
| M3 - APG153009041BA |
| M4 - APG153009041CA |
| M5 - APG153709041BA |
| M6 - APG153709041CA |
| M7 - APG154211541BA |
| M8 - APG154211541CA |
| M9 - APG154911541BA |
| M10 - APG154911541CA |
| M11 - APG156014041BA |
| M12 - APG156014041CA |
| M13 - GPG152407041BA |
| M14 - GPG152407041CA |
| M15 - GPG153009041BA |
| M16 - GPG153009041CA |
| M17 - GPG153709041BA |
| M18 - GPG153709041CA |
| M19 - GPG154211541BA |
| M20 - GPG154211541CA |
| M21 - GPG154911541BA |
| M22 - GPG154911541CA |
| M23 - GPG156014041BA |
| M24 - GPG156014041CA |

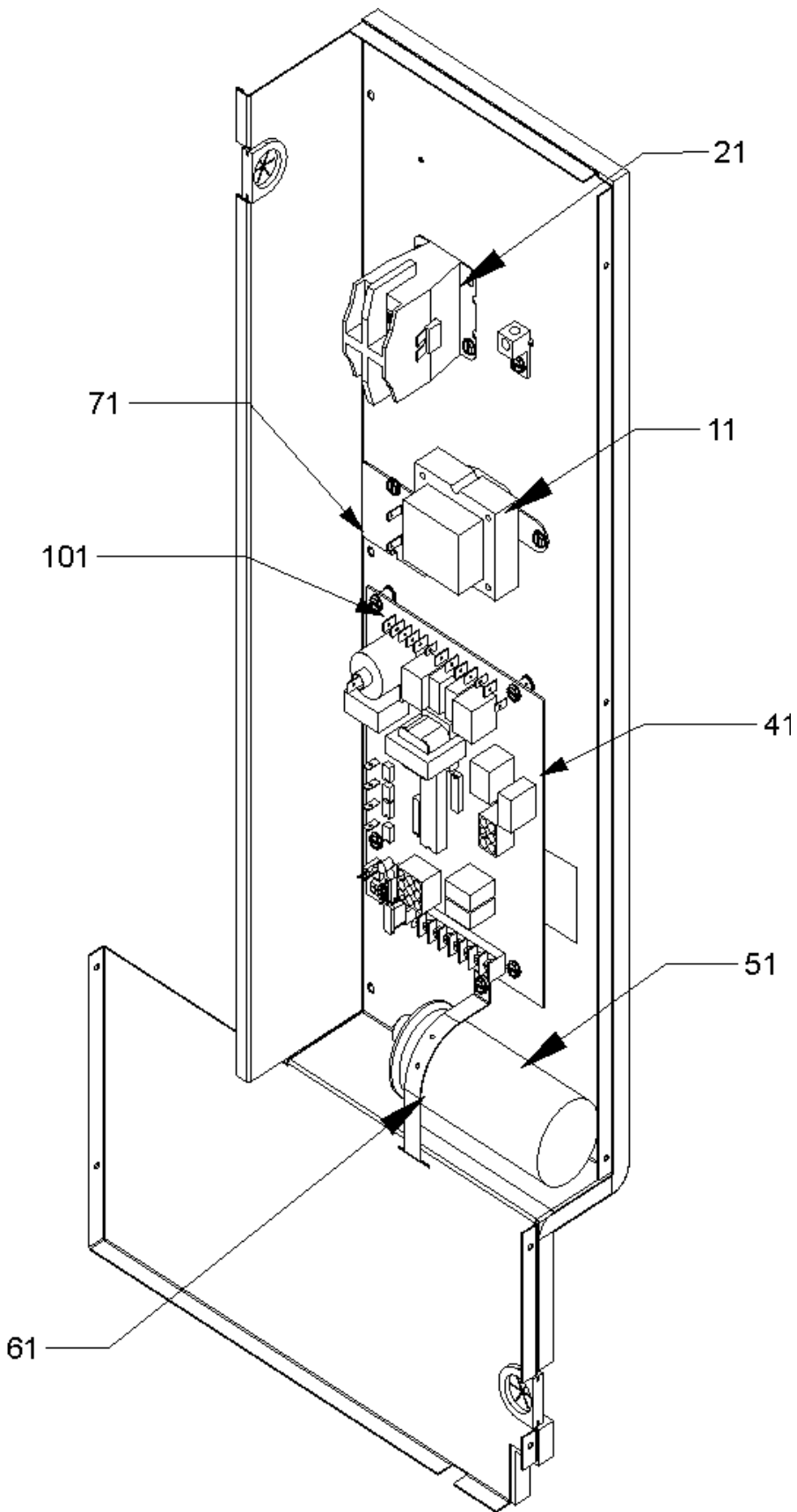
Heat Exchange/Manifold/Gas Valve



Heat Exchange/Manifold/Gas Valve

| Ref. Part No: | No: | Description: | Ref. Part No: | No: | Description: |
|-----------------|-------------|---|-----------------------------|-----|----------------|
| <i>Image 1:</i> | | | Expanded Model Nomenclature | | |
| 21 | 0131G00009 | MOTOR, ID BLOWER | M1 | - | APG152407041BA |
| 31 | 0121G00434 | PLATE-ID BLWR LRG 5 BRNR (M7, M8, M9, M10, M19, M20, M21, M22) | M2 | - | APG152407041CA |
| 31 | 0121G00432 | PLATE-ID BLWR LRG 6 BRNR (M11, M12, M23, M24) | M3 | - | APG153009041BA |
| 31 | 0121G00428 | PLATE-ID BLWR SML 3 BRNR (M1, M2, M13, M14) | M4 | - | APG153009041CA |
| 31 | 0121G00429 | PLATE-ID BLWR SML 4 BRNR (M3, M4, M5, M6, M15, M16, M17, M18) | M5 | - | APG153709041BA |
| 41 | 11112501 | PRESSURE SWITCH | M6 | - | APG153709041CA |
| 51 | 20490718 | PART/TUBE ASSY (M11, M12) | M7 | - | APG154211541BA |
| 51 | 20490707 | PART/TUBE ASSY 3B (M13, M14) | M8 | - | APG154211541CA |
| 51 | 20490710 | PART/TUBE ASSY 3B (M1, M2) | M9 | - | APG154911541BA |
| 51 | 20490703 | PART/TUBE ASSY 4B (M15, M16, M17, M18) | M10 | - | APG154911541CA |
| 51 | 20490711 | PART/TUBE ASSY 4B (M3, M4, M5, M6) | M11 | - | APG156014041BA |
| 51 | 20490705 | PART/TUBE ASSY 5B (M19, M20, M21, M22) | M12 | - | APG156014041CA |
| 51 | 20490713 | PART/TUBE ASSY 5B (M7, M8, M9, M10) | M13 | - | GPG152407041BA |
| 51 | 20490706 | PART/TUBE ASSY 6B (M23, M24) | M14 | - | GPG152407041CA |
| 71 | 0130F00014 | IGNITOR | M15 | - | GPG153009041BA |
| 81 | 0151F00000P | GAS VALVE - WHITE-RODGERS 2-STAGE | M16 | - | GPG153009041CA |
| 91 | 0130F00010 | FLAME SENSOR | M17 | - | GPG153709041BA |
| 101 | 20493103 | MANIFOLD - 3 BRNR (M1, M2, M13, M14) | M18 | - | GPG153709041CA |
| 101 | 20493104 | MANIFOLD - 4 BRNR (M3, M4, M5, M6, M15, M16, M17, M18) | M19 | - | GPG154211541BA |
| 101 | 20493106 | MANIFOLD - 5 BRNR (M7, M8, M9, M10, M19, M20, M21, M22) | M20 | - | GPG154211541CA |
| 101 | 20493107 | MANIFOLD - 6 BRNR (M11, M12, M23, M24) | M21 | - | GPG154911541BA |
| 111 | 10735102 | BECKETT BURNER (QTY A/R) | M22 | - | GPG154911541CA |
| 121 | 20190411 | BURNER BRACKET 3B (M1, M2, M13, M14) | M23 | - | GPG156014041BA |
| 121 | 20190412 | BURNER BRACKET 4B (M3, M4, M5, M6, M15, M16, M17, M18) | M24 | - | GPG156014041CA |
| 121 | 20190413 | BURNER BRACKET 5B (M7, M8, M9, M10, M19, M20, M21, M22) | | | |
| 121 | 0121F00145 | BURNER BRACKET 6B (M11, M12, M23, M24) | | | |
| 131 | 10123529 | MANUAL RESET LIMIT-GREEN | | | |
| 141 | 20484401W | FLUE ELBOW LEFT | | | |
| 141 | 20484402W | FLUE ELBOW RIGHT | | | |
| 151 | 11072202 | ORIFICE SHIELD (M1, M2, M13, M14) | | | |
| 151 | 11072203 | ORIFICE SHIELD (M3, M4, M5, M6, M15, M16, M17, M18) | | | |
| 151 | 11072204 | ORIFICE SHIELD (M7, M8, M9, M10, M19, M20, M21, M22) | | | |
| 151 | 11072205 | ORIFICE SHIELD (M11, M12, M23, M24) | | | |
| 161 | M0221817 | SMALL SCREW (QTY 6) | | | |
| NS | 0154G00003 | GASKET, ID BLOWER & PLATE (M1, M2, M3, M4, M5, M6, M13, M14, M15, M16, M17, M18) | | | |
| NS | 0154G00004 | GASKET, ID BLOWER & PLATE (M7, M8, M9, M10, M11, M12, M19, M20, M21, M22, M23, M24) | | | |
| NS | 10716003 | ORIFICE (QTY A/R) | | | |

Control Panel



Control Panel

| Ref. Part No: | Ref. Part No: | Description: | Description: |
|---------------|---------------|--------------|--------------|
|---------------|---------------|--------------|--------------|

Image 1:

| | | |
|----|----------------|---|
| 11 | B1141643 | TRANSFORMER 208/230, 24V |
| 21 | CONT1P025024V | CONTACTOR 25 AMP, 1P, 24V (M1, M2, M3, M4, M5, M6, M13, M14, M15, M16, M17, M18) |
| 21 | CONT1P030024V | CONTACTOR 30 AMP, 1P, 24V (M7, M8, M9, M10, M19, M20, M21, M22) |
| 21 | CONT2P040024V | CONTACTOR 40 AMP, 2P, 24V (M11, M12, M23, M24) |
| 41 | PCBAG127 | PCB, IGNITION, DSI, 2 STG |
| 51 | CAP050350440R | CAPACITOR 5/35/440V (M1, M2, M13, M14) |
| 51 | CAP050400440CT | CAPACITOR 5/40/440V/DUAL RD (M3, M4, M11, M12, M15, M16, M23, M24) |
| 51 | CAP050450440CT | CAPACITOR 5/45/440V/DUAL RD (M5, M6, M7, M8, M9, M10, M17, M18, M19, M20, M21, M22) |
| 61 | 20520901 | CAPACITOR STRAP |
| 71 | 10728343 | LIMIT SWITCH (M1, M2, M3, M4, M5, M6, M11, M12, M13, M14, M15, M16, M17, M18, M23, M24) |
| 71 | 10728344 | LIMIT SWITCH (M7, M8, M9, M10, M19, M20, M21, M22) |

Expanded Model Nomenclature

| |
|----------------------|
| M1 - APG152407041BA |
| M2 - APG152407041CA |
| M3 - APG153009041BA |
| M4 - APG153009041CA |
| M5 - APG153709041BA |
| M6 - APG153709041CA |
| M7 - APG154211541BA |
| M8 - APG154211541CA |
| M9 - APG154911541BA |
| M10 - APG154911541CA |
| M11 - APG156014041BA |
| M12 - APG156014041CA |
| M13 - GPG152407041BA |
| M14 - GPG152407041CA |
| M15 - GPG153009041BA |
| M16 - GPG153009041CA |
| M17 - GPG153709041BA |
| M18 - GPG153709041CA |
| M19 - GPG154211541BA |
| M20 - GPG154211541CA |
| M21 - GPG154911541BA |
| M22 - GPG154911541CA |
| M23 - GPG156014041BA |
| M24 - GPG156014041CA |