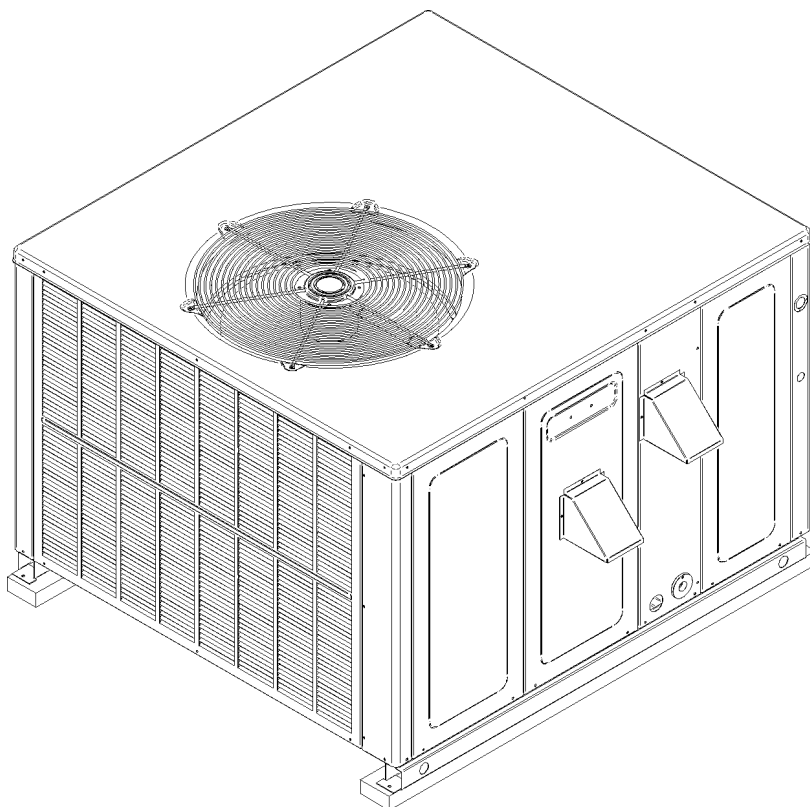


**GPD14 Multiposition Dual Fuel Package Unit**

GPD1424060M41AA  
GPD1424070M41CA  
GPD1430080M41AA  
GPD1430090M41CA  
GPD1436080M41AA  
GPD1436080M41AB  
GPD1437090M41CA  
GPD1442100M41AA  
GPD1442115M41CA  
GPD1448100M41AA  
GPD1448115M41CA



This manual is to be used by qualified technicians only.

This manual replaces RP-G3000A.

© 2014 - 2015 Goodman Company, L.P. ♦ 5151 San Felipe St., Suite 500 ♦ Houston, TX 77056

# Important Information

---

## Index

Functional Parts List .....	3
Illustration and Parts .....	4 - 15

*Views shown are for parts illustrations only, not servicing procedures*

### Text Codes:

AR - As Required

NA - Not Available

NS - Not Shown

00000000 - See Note

QTY - Quantity Example (QTY 3) (If Quantity not shown, Quantity = 1)

M - Model Example (M1) (If M Code not shown, then part is used on all Models)

### Expanded Model Nomenclature:

Example M1 - Model#1 M2 - Model#2 M3 - Model#3
---

Goodman Company, L.P. is not responsible for personal injury or property damage resulting from improper service. Review all service information before beginning repairs.

Warranty service must be performed by an authorized technician, using authorized factory parts. If service is required after the warranty expires, Goodman Company, L.P. also recommends contacting an authorized technician and using authorized factory parts.

Goodman Company, L.P. reserves the right to discontinue, or change at any time, specifications or designs without notice or without incurring obligations.

For assistance within the U.S.A. contact:

Consumer Affairs Department

Goodman Company, L.P.

7401 Security Way

Houston, Texas 77040

877-254-4729-Telephone

713-863-2382-Facsimile

For assistance outside the U.S.A. contact:

International Division

Goodman Company, L.P.

7401 Security Way

Houston, Texas 77040

713-861-2500-Telephone

713-863-2382-Facsimile

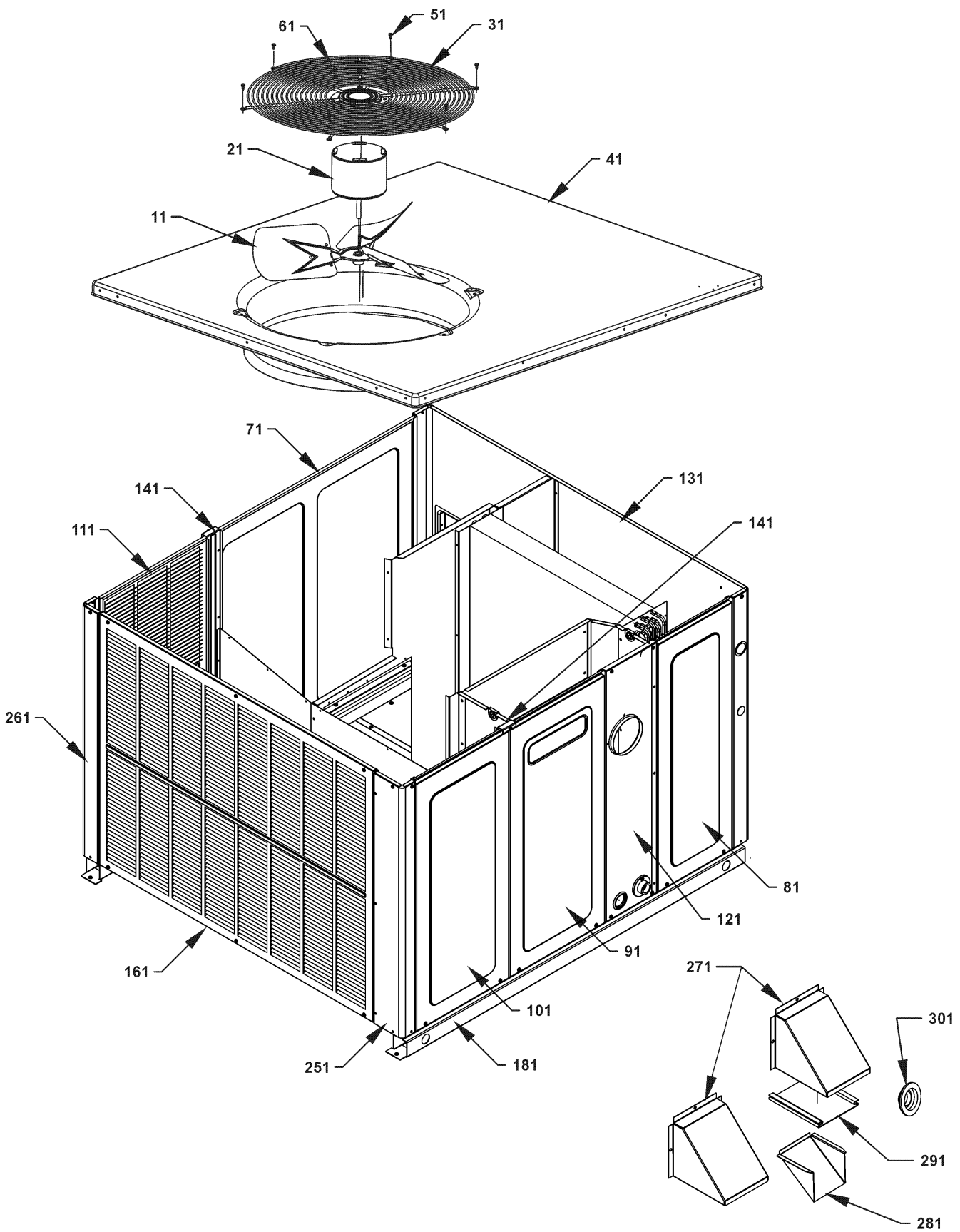
# Functional Parts

## Part

## No: Description:

Part No:	Description:	Part No:	Description:
0130M00025	24V RELAY	0131M00689	PROGRAMMED MOTOR (M5, M6)
20269903	AUXILIARY LIMIT, AUTO RESET	0131M00594	PROGRAMMED MOTOR (M7)
10735102	BECKETT BURNER (M2, M4, M7, M9, M11)	0131M00440	PROGRAMMED MOTOR (M9)
0163F00017	BECKETT BURNER (M1, M3, M5, M6, M8, M10)	0131M00690	PROGRAMMED MOTOR (M8)
D6723303	BLOWER WHEEL (M3, M4, M5, M6, M7)	0131M00691	PROGRAMMED MOTOR (M11)
B1368058	BLOWER WHEEL 10 X 8 (M1, M2)	0131M00434	PROGRAMMED MOTOR (M2)
B1368000	BLOWER WHEEL 11 X 10 (M8, M9, M10, M11)	0131M00687	PROGRAMMED MOTOR (M1)
CAP050400440CT	CAPACITOR 5/40/440V/DUAL RD (M1, M2, M3, M4)	0151R00071	REVERSING VALVE (M8, M9, M10, M11)
CAP050450440CT	CAPACITOR 5/45/440V/DUAL RD (M5, M6, M7, M8, M9, M10, M11)	0151R00069	REVERSING VALVE (M1, M2, M3, M4, M5, M6, M7)
ZP29K5EPFV130	COMP,29000,208/230/60/1 (M5, M7)	B1225022	SOLENOID COIL
ZP31K6EPFV130	COMP,42500,208/230/60/1 (M6)	0130M00138	TRANSFORMER 208/230, 24V
ZP21K5EPFV130	COMPRESSOR 21300, 208/230/60/1 (M1, M2)	<b>Expanded Model Nomenclature</b>	
ZP25K5EPFV130	COMPRESSOR 25200, 208/230/60/1 (M3, M4)	M1 - GPD1424060M41AA M2 - GPD1424070M41CA M3 - GPD1430080M41AA M4 - GPD1430090M41CA M5 - GPD1436080M41AA M6 - GPD1436080M41AB M7 - GPD1437090M41CA M8 - GPD1442100M41AA M9 - GPD1442115M41CA M10 - GPD1448100M41AA M11 - GPD1448115M41CA	
ZP34K5EPFV130	COMPRESSOR 34500, 208/230/60/1 (M8, M9)		
ZP39K5EPFV130	COMPRESSOR 39000, 208/230/60/1 (M10, M11)		
0131M00061	COND MOTOR 1/4 HP, 1 SP, 8 PL (M3, M4, M5, M6, M7)		
0131M00429	COND MOTOR 1/4 HP, 1 SP,6 PL (M8, M9, M10, M11)		
0131M00009P	COND MOTOR 1/6 HP, 1 SP, 8 PL (M1, M2)		
CONT1P025024V	CONTACTOR 25 AMP, 1P, 24V (M1, M2, M3, M4, M5, M6, M7)		
CONT1P030024V	CONTACTOR 30 AMP, 1P, 24V (M8, M9, M10, M11)		
0130M00099	CONTROL, DEFROST (M1, M2, M3, M4, M5, M6, M7)		
0130M00101	CONTROL, DEFROST (M8, M9, M10, M11)		
0230G00005	CRANKCASE HEATER SWITCH (M8, M9)		
0130M00074	CUT-OUT SWITCH, HIGH PRESSURE		
0130M00075	CUT-OUT SWITCH, LOW PRESSURE		
PCBDM133	DEFROST CONTROL BOARD		
0130M00106	DISC THERMOSTAT CRNKCS HTR SW (M8, M9)		
B1086773	FAN BLADE 22" (M1, M2)		
0150G00002	FAN BLADE SWEPT-WING (M3, M4, M5, M6, M7)		
0150G00003	FAN BLADE SWEPT-WING (M8, M9, M10, M11)		
0130F00010	FLAME SENSOR		
0151F00000P	GAS VALVE - WHITE-RODGERS 2-STAGE		
0163R00003	HEATER, CRANKCASE 230V 40W (M8, M9)		
0130F00014	IGNITOR		
10728343	LIMIT SWITCH (M1, M2, M4, M7)		
10728344	LIMIT SWITCH (M8, M9, M10, M11)		
10728342	LIMIT SWITCH (M3, M5, M6)		
10123532	MANUAL RESET LIMIT 350°F (M3, M5, M6, M8, M10)		
10123529	MANUAL RESET LIMIT-GREEN (M1, M2, M4, M7, M9, M11)		
PCBAG127	PCB, IGNITION, DSI, 2 STG		
11112501	PRESSURE SWITCH		
0131M00714	PROGRAMMED MOTOR (M4)		
0131M00715	PROGRAMMED MOTOR		
0131M00740	PROGRAMMED MOTOR (M10)		
0131M00688	PROGRAMMED MOTOR (M3)		

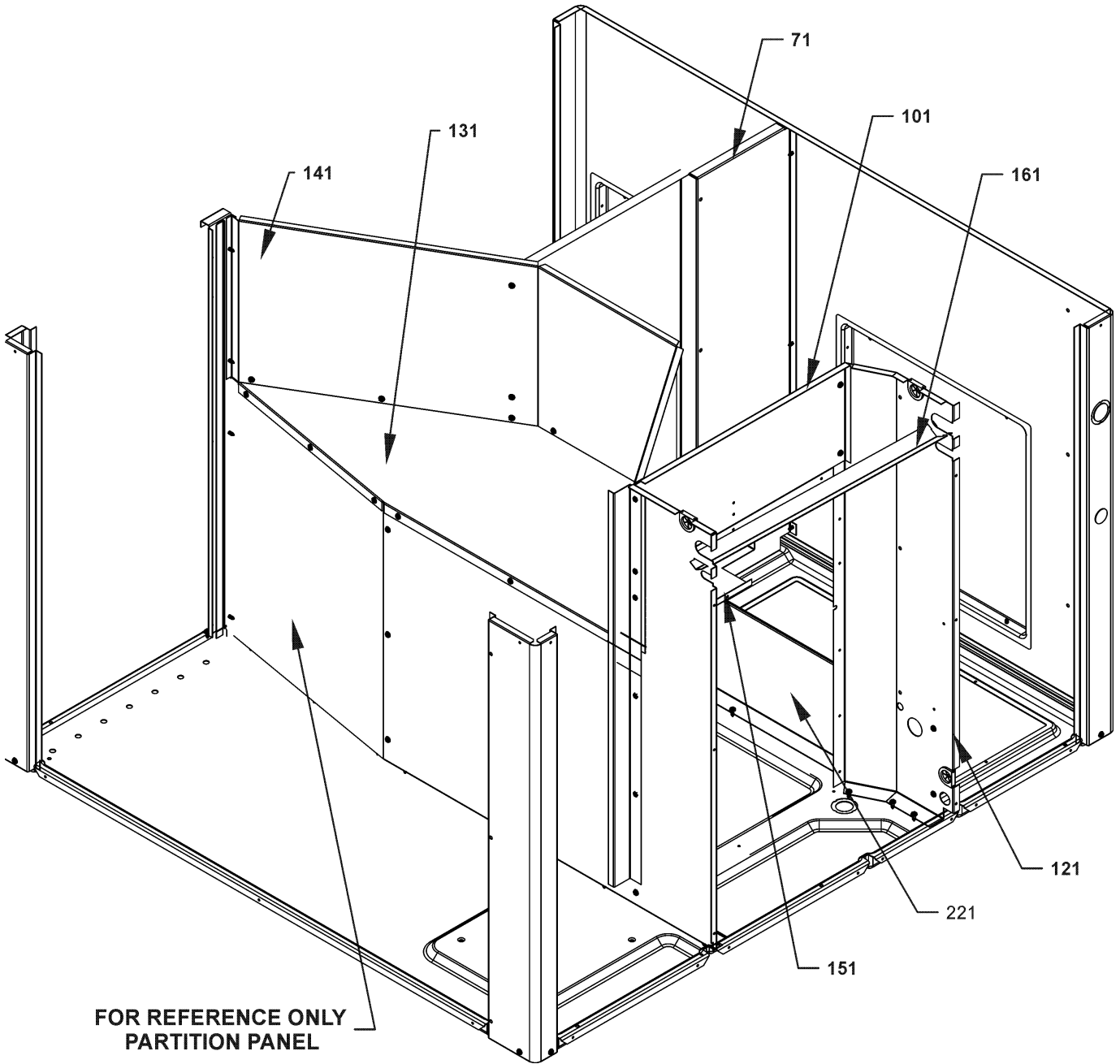
# Top Panel/Fan/Cabinet



# Top Panel/Fan/Cabinet

Ref. Part No: No:	Description:	Ref. Part No: No:	Description:
<b>Image 1:</b>		<b>Image 1:</b>	
11	B1086773 FAN BLADE 22" (M1, M2)	NS	0259G00107 WIRE HARNESS, FAN MOTOR (M3, M4, M5, M6, M7)
11	0150G00002 FAN BLADE SWEPT-WING (M3, M4, M5, M6, M7)	<b>Expanded Model Nomenclature</b> M1 - GPD1424060M41AA M2 - GPD1424070M41CA M3 - GPD1430080M41AA M4 - GPD1430090M41CA M5 - GPD1436080M41AA M6 - GPD1436080M41AB M7 - GPD1437090M41CA M8 - GPD1442100M41AA M9 - GPD1442115M41CA M10 - GPD1448100M41AA M11 - GPD1448115M41CA	
11	0150G00003 FAN BLADE SWEPT-WING (M8, M9, M10, M11)		
21	0131M00061 COND MOTOR 1/4 HP, 1 SP, 8 PL (M3, M4, M5, M6, M7)		
21	0131M00429 COND MOTOR 1/4 HP, 1 SP, 6 PL (M8, M9, M10, M11)		
21	0131M00009P COND MOTOR 1/6 HP, 1 SP, 8 PL (M1, M2)		
31	0152G00003 FAN GRILLE		
41	0121G00156PDG TOP PANEL		
51	M0221817 SMALL SCREW (QTY 8)		
61	0163M00006P ACORN NUT 5/16 HEX BLACK (QTY 4)		
71	20464801PDG BLOWER DOOR 32" (M1, M2, M3, M4, M5, M6, M7)		
71	20464806PDG BLOWER DOOR 40" (M8, M9, M10, M11)		
81	20464802PDG EVAP/CONTROL DOOR 32" (M1, M2, M3, M4, M5, M6, M7)		
81	20464807PDG EVAP/CONTROL DOOR 40" (M8, M9, M10, M11)		
91	0121G00526DG HT EXCHANGE DOOR 32" (M1, M2, M3, M4, M5, M6, M7)		
91	0121G00527DG HT EXCHANGE DOOR 38" (M8, M9, M10, M11)		
101	20464804PDG COMPRESSOR DOOR 32" (M1, M2, M3, M4, M5, M6, M7)		
101	20464809PDG COMPRESSOR DOOR 40" (M8, M9, M10, M11)		
111	20467701PDG LOUVERED PANEL, COND SIDE 32" (M1, M2, M3, M4, M5, M6, M7)		
111	20467702PDG LOUVERED PANEL, COND SIDE 40" (M8, M9, M10, M11)		
121	20466101PDG UTILITY PANEL 32" (M1, M2, M3, M4, M5, M6, M7)		
121	20466102PDG UTILITY PANEL 40" (M8, M9, M10, M11)		
131	0121G00673DG PNL, DUCT, GAS 32.5" (M1, M2, M3, M4, M5, M6, M7)		
131	0121G00674DG PNL, DUCT, GAS 40" (M8, M9, M10, M11)		
141	0121G00460 SUPPORT POST 32" (M1, M2, M3, M4, M5, M6, M7)		
141	0121G00462 SUPPORT POST 40" (M8, M9, M10, M11)		
161	20464401PDG LOUVERED PANEL, COND SIDE 32" (M1, M2, M3, M4, M5, M6, M7)		
161	20464402PDG LOUVERED PANEL, COND SIDE 40" (M8, M9, M10, M11)		
181	0121G00290 BASE PAN RAIL (QTY 2)		
251	20464201PDG CORNER POST-COMP END 32" (M1, M2, M3, M4, M5, M6, M7)		
251	20464202PDG CORNER POST-COMP END 40" (M8, M9, M10, M11)		
261	20464301PDG CORNER POST-HAIRPIN END 32" (M1, M2, M3, M4, M5, M6, M7)		
261	20464302PDG CORNER POST-HAIRPIN END 40" (M8, M9, M10, M11)		
271	0121G00323 FLUE HOOD (QTY 2)		
281	0121G00190 FLUE HOOD-LOWER		
291	20472601 SCREEN-FLUE HOOD		
301	B1910012 GAS LINE GROMMET		
NS	B1373315 ACCESS FITTING (QTY 2)		
NS	0163M00175 CAP WITH O-RING (QTY 2)		
NS	17788000083F PVC CONDUIT 8.25"		
NS	0163M00005P WASHER, BLACK (.50 OD .218ID) (QTY 4)		
NS	0259G00106 WIRE HARNESS, FAN MOTOR (M1, M2, M8, M9, M10, M11)		

# Partition Panels



# Partition Panels

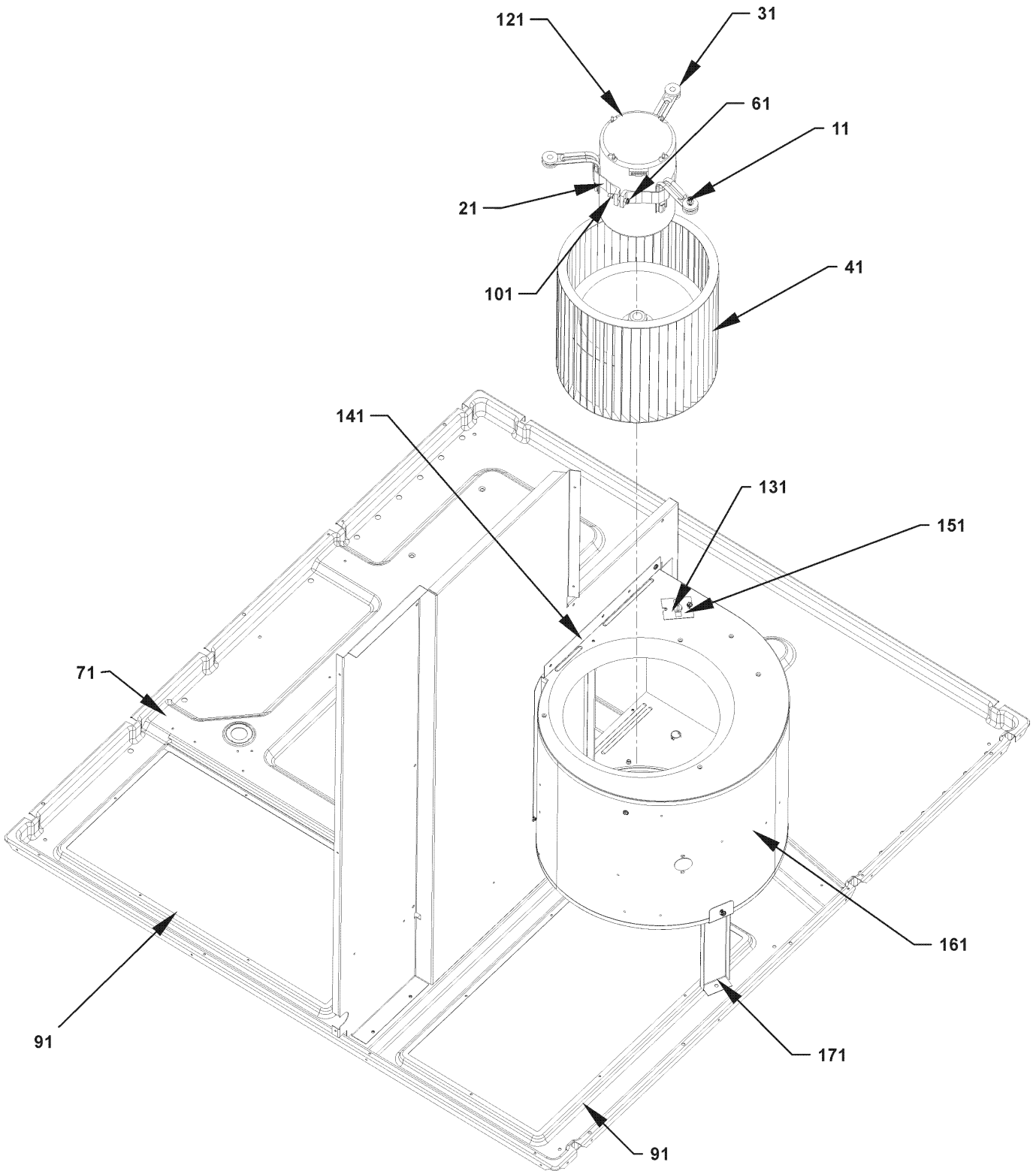
Ref. Part No:	No:	Description:	Ref. Part No:	No:	Description:
<b>Image 1:</b>					
71	20465305	BLOWER DIVIDER (M1, M2)			
71	20465304	BLOWER DIVIDER 32" 10 X 9 (M3, M4, M5, M6, M7)			
71	20465302	BLOWER DIVIDER 38" (M8, M9, M10, M11)			
101	20465201	FILLER PANEL, HEAT EXCHANGER 32" (M1, M2, M3, M4, M5, M6, M7)			
101	20465202	FILLER PANEL, HEAT EXCHANGER 40" (M8, M9, M10, M11)			
121	20465501	EVAP/HEAT EXCHANGER DIVIDER 32" (M1, M2, M3, M4, M5, M6, M7)			
121	20465502	EVAP/HEAT EXCHANGER DIVIDER 38" (M8, M9, M10, M11)			
131	20465701	FAN PARTITION SHELF			
141	20465801	FAN SURROUND 32" (M1, M2, M3, M4, M5, M6, M7)			
141	20465802	FAN SURROUND 40" (M8, M9, M10, M11)			
151	20472501	SHIELD, HEAT EXCHANGER TUBES			
161	0121G00555	DRAIN CHANNEL, SUCTION TUBE			
221	20463802	EVAP/BASEPAN BLOCK 32" (M1, M2, M3, M4, M5, M6, M7)			
221	20463801	EVAP/BASEPAN BLOCK 40" (M8, M9, M10, M11)			

## Expanded Model Nomenclature

M1 - GPD1424060M41AA
M2 - GPD1424070M41CA
M3 - GPD1430080M41AA
M4 - GPD1430090M41CA
M5 - GPD1436080M41AA
M6 - GPD1436080M41AB
M7 - GPD1437090M41CA
M8 - GPD1442100M41AA
M9 - GPD1442115M41CA
M10 - GPD1448100M41AA
M11 - GPD1448115M41CA

Effective July 2008 (serial codes 0807), single phase units will no longer be factory shipped with horizontal duct covers. For downshot applications, contact your local Goodman distributor.

# Basepan/Blower Assembly





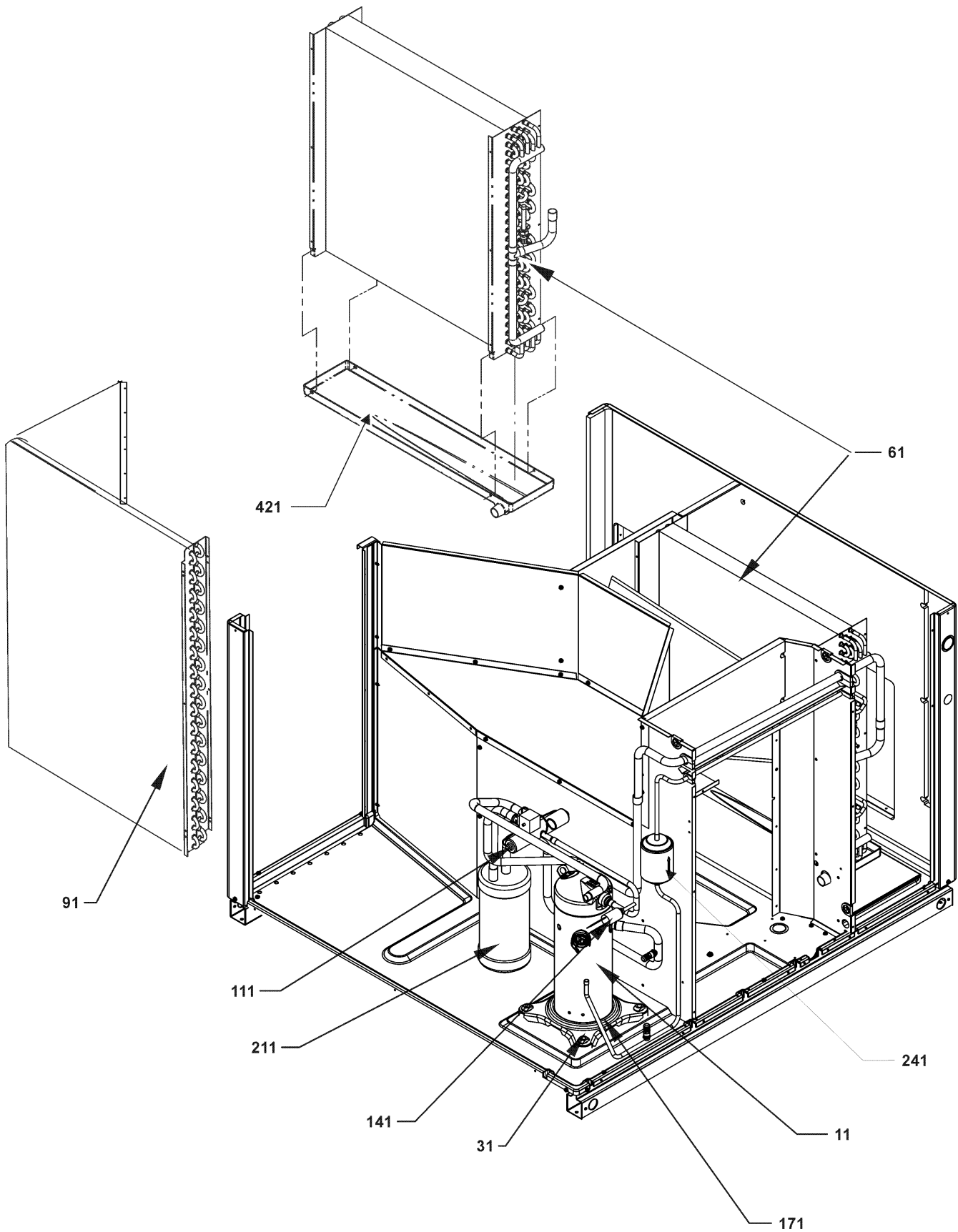
# Basepan/Blower Assembly

Ref. Part No: No:	Description:	Ref. Part No: No:	Description:
<i>Image 1:</i>			
11	M0250565		TC SCREW 1.25" (QTY 3)
21	0121M00038		MOTOR MOUNT BAND
31	B1376857		MOTOR MOUNT ARM (QTY 3)
41	D6723303		BLOWER WHEEL (M3, M4, M5, M6, M7)
41	B1368058		BLOWER WHEEL 10 X 8 (M1, M2)
41	B1368000		BLOWER WHEEL 11 X 10 (M8, M9, M10, M11)
61	B1393323		MACHINE SCREW HWH 1/4-20 X 1-1/2 BZ
71	0121G00444		BASEPAN, PACKAGE
91	0121G00148		SINGLE COVER, DOWN DISCHARGE (QTY 2)
101	B1393800		LOCKNUT, NYLON, INSERT 1/4, 20
121	0131M00434		PROGRAMMED MOTOR (M2)
121	0131M00440		PROGRAMMED MOTOR (M9)
121	0131M00594		PROGRAMMED MOTOR (M7)
121	0131M00687		PROGRAMMED MOTOR (M1)
121	0131M00688		PROGRAMMED MOTOR (M3)
121	0131M00689		PROGRAMMED MOTOR (M5, M6)
121	0131M00690		PROGRAMMED MOTOR (M8)
121	0131M00691		PROGRAMMED MOTOR (M11)
121	0131M00714		PROGRAMMED MOTOR (M4)
121	0131M00715		PROGRAMMED MOTOR
121	0131M00740		PROGRAMMED MOTOR (M10)
131	20269903		AUXILIARY LIMIT, AUTO RESET
141	764742		BLOWER BLOCK-OFF (M3, M4, M5, M6, M7)
141	764740		BLOWER BLOCK-OFF 10 X 8 (M1, M2)
141	1864703F		BLOWER CUT-OFF (M8, M9, M10, M11)
151	2509503F		AUXILIARY LIMIT BRACKET
161	0271F00001P		BLOWER HOUSING ASSY 10 X 8 (M1, M2)
161	0271G00024		BLOWER HOUSING ASSY 10 X 9 (M3, M4, M5, M6, M7)
161	2539309		BLOWER HOUSING ASSY 11 X 10 (M8, M9, M10, M11)
171	20463701		11 X 10 BLOWER MOUNTING (M8, M9, M10, M11)

## Expanded Model Nomenclature

M1 - GPD1424060M41AA
M2 - GPD1424070M41CA
M3 - GPD1430080M41AA
M4 - GPD1430090M41CA
M5 - GPD1436080M41AA
M6 - GPD1436080M41AB
M7 - GPD1437090M41CA
M8 - GPD1442100M41AA
M9 - GPD1442115M41CA
M10 - GPD1448100M41AA
M11 - GPD1448115M41CA

# Compressor/Tubing Assembly



# Compressor/Tubing Assembly

**Ref. Part  
No: No:**

**Description:**

**Ref. Part  
No: No:**

**Description:**

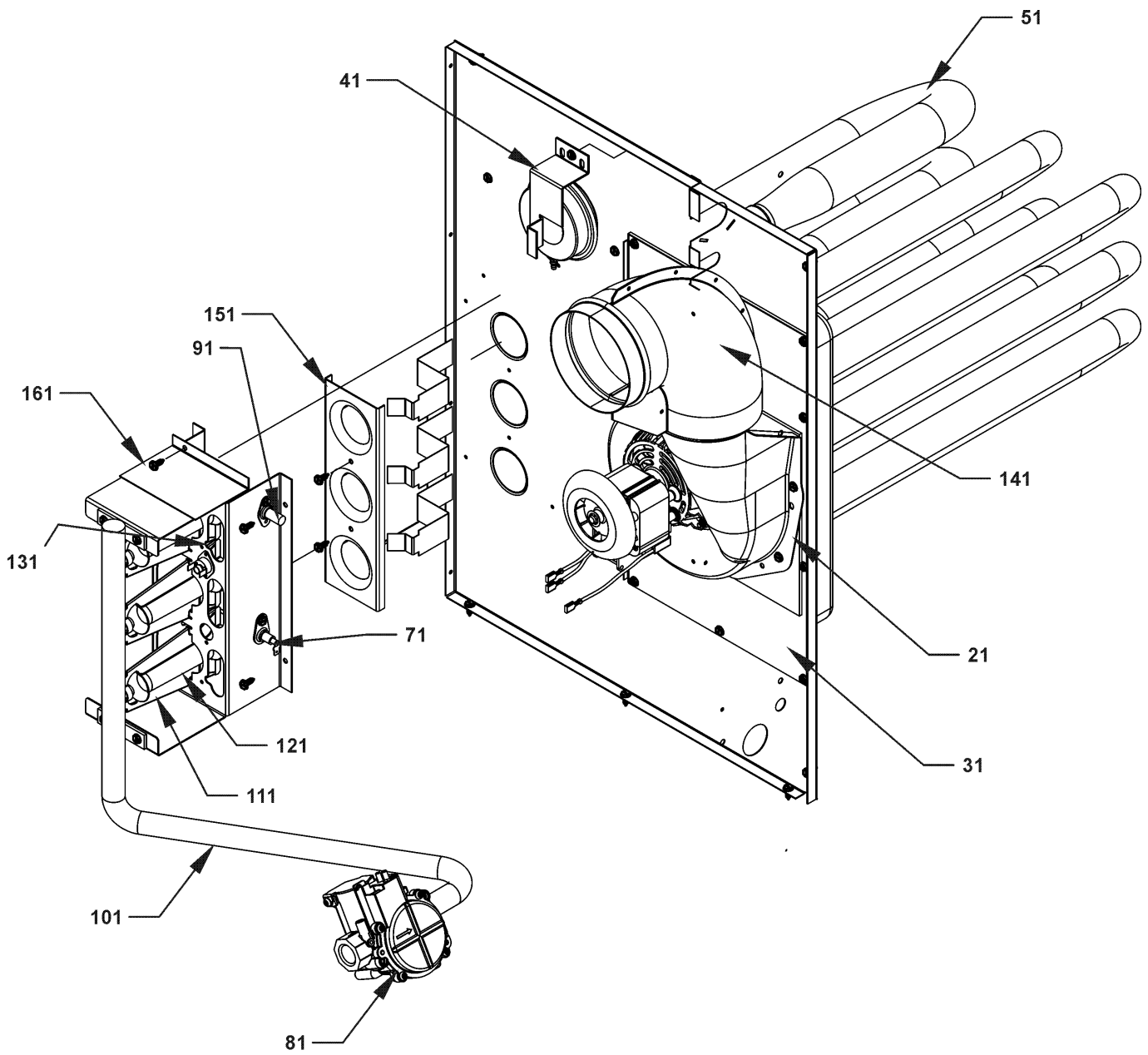
**Image 1:**

11	ZP29K5EPFV130	COMP,29000,208/230/60/1 (M5, M7)
11	ZP31K6EPFV130	COMP,42500,208/230/60/1 (M6)
11	ZP21K5EPFV130	COMPRESSOR 21300, 208/230/60/1 (M1, M2)
11	ZP25K5EPFV130	COMPRESSOR 25200, 208/230/60/1 (M3, M4)
11	ZP34K5EPFV130	COMPRESSOR 34500, 208/230/60/1 (M8, M9)
11	ZP39K5EPFV130	COMPRESSOR 39000, 208/230/60/1 (M10, M11)
31	M0221641	TF SHOULDER SCREW (QTY 4)
61	0202G00571	EVAP COIL ASSY (M10, M11)
61	0202G00659	EVAP COIL ASSY (M1, M2)
61	0202G00660	EVAP COIL ASSY (M3, M4)
61	0202G00661	EVAP COIL ASSY (M5, M6, M7)
61	0202G00662	EVAP COIL ASSY (M8, M9)
91	0201G00257	COND COIL TUBING ASSY (M1, M2)
91	0201G00258	COND COIL TUBING ASSY (M3, M4, M5, M6, M7)
91	0201G00365	COND COIL TUBING ASSY (M8, M9)
91	0201G00366	COND COIL TUBING ASSY (M10, M11)
111	0151R00069	REVERSING VALVE (M1, M2, M3, M4, M5, M6, M7)
111	0151R00071	REVERSING VALVE (M8, M9, M10, M11)
141	0130M00074	CUT-OUT SWITCH, HIGH PRESSURE
171	0163R00003	HEATER, CRANKCASE 230V 40W (M8, M9)
211	B1226206	ACCUMULATOR (M1, M2, M3, M4, M5, M6, M7)
211	B1226207	ACCUMULATOR .875 (M8, M9, M10, M11)
241	20485201	BI-FLOW FILTER DRIER
421	20464901DF	DRAIN PAN-EVAP COIL
NS	B1339533	COMPRESSOR GROMMET (QTY 4)
NS	0159G00002	COMPRESSOR SCROLL HARNESS (M1, M2, M3, M4, M5, M6, M7)
NS	0159G00006	COMPRESSOR SCROLL HARNESS (M8, M9, M10, M11)
NS	0130M00099	CONTROL, DEFROST (M1, M2, M3, M4, M5, M6, M7)
NS	0130M00101	CONTROL, DEFROST (M8, M9, M10, M11)
NS	0230G00005	CRANKCASE HEATER SWITCH (M8, M9)
NS	0130M00075	CUT-OUT SWITCH, LOW PRESSURE
NS	0130M00106	DISC THERMOSTAT CRNKCS HTR SW (M8, M9)
NS	20513001	EVAP DRAIN FITTING
NS	0162M00341	FLOWRATOR [COND] (M8, M9)
NS	0162M00342	FLOWRATOR [COND] (M10, M11)
NS	0162A00131	FLOWRATOR [EVAP] (M5, M6, M7)
NS	0162M00301	FLOWRATOR [EVAP] (M8, M9)
NS	0162M00304	FLOWRATOR [EVAP] (M10, M11)
NS	0162M00339	FLOWRATOR [EVAP] (M1, M2)
NS	0162M00340	FLOWRATOR [EVAP] (M3, M4)
NS	0162M00156	FLOWRATOR, [COND] .045 (M1, M2)
NS	0162M00157	FLOWRATOR, [COND] .047 (M3, M4, M5, M6, M7)
NS	B1225022	SOLENOID COIL
NS	0259G00029	WIRE ASSY-9 CIRCUIT

**Expanded Model Nomenclature**

M1 - GPD1424060M41AA
M2 - GPD1424070M41CA
M3 - GPD1430080M41AA
M4 - GPD1430090M41CA
M5 - GPD1436080M41AA
M6 - GPD1436080M41AB
M7 - GPD1437090M41CA
M8 - GPD1442100M41AA
M9 - GPD1442115M41CA
M10 - GPD1448100M41AA
M11 - GPD1448115M41CA

# Heat Exchanger/Manifold/Gas Valve



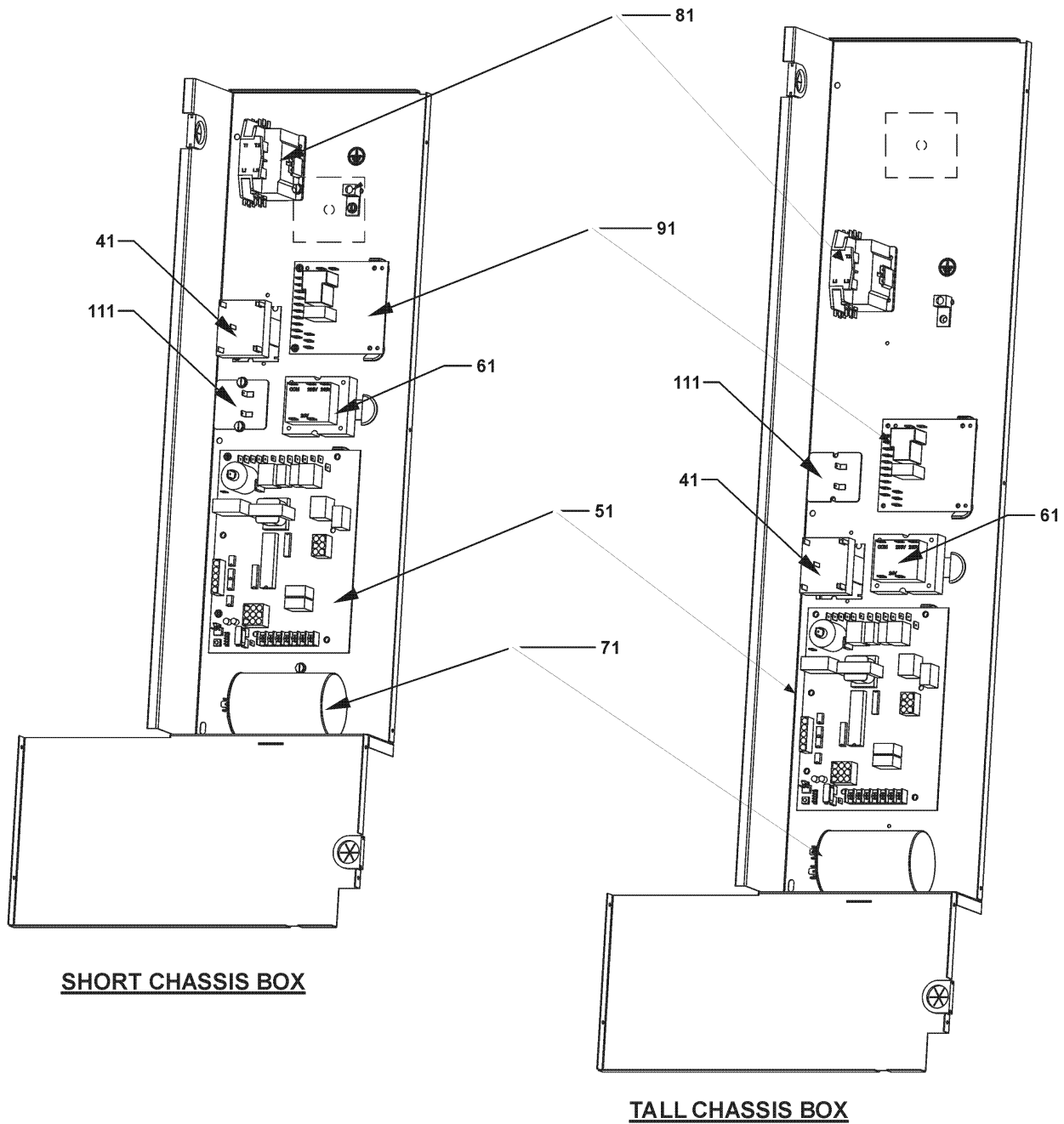
# Heat Exchanger/Manifold/Gas Valve

Ref. Part No:	Part No:	Description:	Ref. Part No:	Part No:	Description:
<b>Image 1:</b>					
21	0131G00001	ID BLOWER			
31	0121G00579	ID BLOWER PLATE (M1)			
31	0121G00582	ID BLOWER PLATE (M8, M10)			
31	0121G00218	ID BLOWER PLATE LRG 5 BRNR (M9, M11)			
31	20463101	ID BLOWER PLATE SML 2 BRNR (M3, M5, M6)			
31	20463102	ID BLOWER PLATE SML 3 BRNR (M2)			
31	20463103	ID BLOWER PLATE SML 4 BRNR (M4, M7)			
41	11112501	PRESSURE SWITCH			
51	20490707	PART/TUBE ASSY 3B (M1, M2)			
51	20490703	PART/TUBE ASSY 4B (M3, M4, M5, M6, M7)			
51	20490705	PART/TUBE ASSY 5B (M8, M9, M10, M11)			
71	0130F00014	IGNITOR			
81	0151F00000P	GAS VALVE - WHITE-RODGERS 2-STAGE			
91	0130F00010	FLAME SENSOR			
101	20493103	MANIFOLD - 3 BRNR (M1, M2)			
101	20493104	MANIFOLD - 4 BRNR (M3, M4, M5, M6, M7)			
101	20493106	MANIFOLD - 5 BRNR (M8, M9, M10, M11)			
111	0163F00017	BECKETT BURNER (M1, M3, M5, M6, M8, M10)			
111	10735102	BECKETT BURNER (M2, M4, M7, M9, M11)			
121	20190411	BURNER BRACKET 3B (M1, M2)			
121	20190412	BURNER BRACKET 4B (M3, M4, M5, M6, M7)			
121	20190413	BURNER BRACKET 5B (M8, M9, M10, M11)			
131	10123532	MANUAL RESET LIMIT 350°F (M3, M5, M6, M8, M10)			
131	10123529	MANUAL RESET LIMIT-GREEN (M1, M2, M4, M7, M9, M11)			
141	20484401	ELBOW-FLUE LEFT			
141	20484402	ELBOW-FLUE RIGHT			
151	11072202	ORIFICE SHIELD (M1, M2)			
151	11072203	ORIFICE SHIELD (M3, M4, M5, M6, M7)			
151	11072204	ORIFICE SHIELD (M8, M9, M10, M11)			
161	M0221817	SMALL SCREW (QTY 8)			
NS	20463001	ID BLOWER PLATE GASKET LRG (M8, M9, M10, M11)			
NS	20462801	ID BLOWER PLATE GASKET SML (M1, M2, M3, M4, M5, M6, M7)			
NS	0163F00018	ORIFICE (M2, M4, M7, M9, M11)			
NS	10716005	ORIFICE (M1, M3, M5, M6, M8, M10)			

## Expanded Model Nomenclature

M1 - GPD1424060M41AA
M2 - GPD1424070M41CA
M3 - GPD1430080M41AA
M4 - GPD1430090M41CA
M5 - GPD1436080M41AA
M6 - GPD1436080M41AB
M7 - GPD1437090M41CA
M8 - GPD1442100M41AA
M9 - GPD1442115M41CA
M10 - GPD1448100M41AA
M11 - GPD1448115M41CA

# Control Panel



# Control Panel

Ref. Part No: No:	Description:	Ref. Part No: No:	Description:
-------------------	--------------	-------------------	--------------

**Image 1:**

41	0130M00025	24V RELAY
51	PCBAG127	PCB, IGNITION, DSI, 2 STG
61	0130M00138	TRANSFORMER 208/230, 24V
71	CAP050400440CT	CAPACITOR 5/40/440V/DUAL RD (M1, M2, M3, M4)
71	CAP050450440CT	CAPACITOR 5/45/440V/DUAL RD (M5, M6, M7, M8, M9, M10, M11)
81	CONT1P025024V	CONTACTOR 25 AMP, 1P, 24V (M1, M2, M3, M4, M5, M6, M7)
81	CONT1P030024V	CONTACTOR 30 AMP, 1P, 24V (M8, M9, M10, M11)
91	PCBDM133	DEFROST CONTROL BOARD
111	10728342	LIMIT SWITCH (M3, M5, M6)
111	10728343	LIMIT SWITCH (M1, M2, M4, M7)
111	10728344	LIMIT SWITCH (M8, M9, M10, M11)
NS	20520901	CAPACITOR STRAP
NS	0259G00101	WIRE HARNESS ASSY
NS	0259G00102	WIRE HARNESS ASSY
NS	0259G00103	WIRE HARNESS ASSY
NS	0259G00104	WIRE HARNESS ASSY (M1, M2, M3, M4, M5, M6, M7)
NS	0259G00105	WIRE HARNESS ASSY (M8, M9, M10, M11)
NS	0259G00108	WIRE HARNESS ASSY (M1, M2, M3, M4, M5, M6, M7)
NS	0259G00109	WIRE HARNESS ASSY (M8, M9, M10, M11)
NS	0259G00098	WIRE HARNESS, 6 CIRCUIT
NS	0259G00110	WIRE HARNESS, 9 CIRCUIT
NS	0259G00099	WIRE HARNESS, ECONO
NS	0259G00100	WIRE HARNESS, OUTDOOR THERMO

**Expanded Model Nomenclature**

M1 - GPD1424060M41AA
M2 - GPD1424070M41CA
M3 - GPD1430080M41AA
M4 - GPD1430090M41CA
M5 - GPD1436080M41AA
M6 - GPD1436080M41AB
M7 - GPD1437090M41CA
M8 - GPD1442100M41AA
M9 - GPD1442115M41CA
M10 - GPD1448100M41AA
M11 - GPD1448115M41CA