



Air Conditioning & Heating

GPC14M

COOLING CAPACITY: 23,000 - 56,000 BTU/H

PACKAGED AIR CONDITIONER

2 TO 5 TONS

14 SEER



Contents

Nomenclature.....	2
Product Specifications.....	3
Expanded Cooling Data	4
Airflow Data	16
Heat Kit Electrical Data.....	17
Dimensions	18
Wiring Diagrams	19
Accessories	20

Standard Features

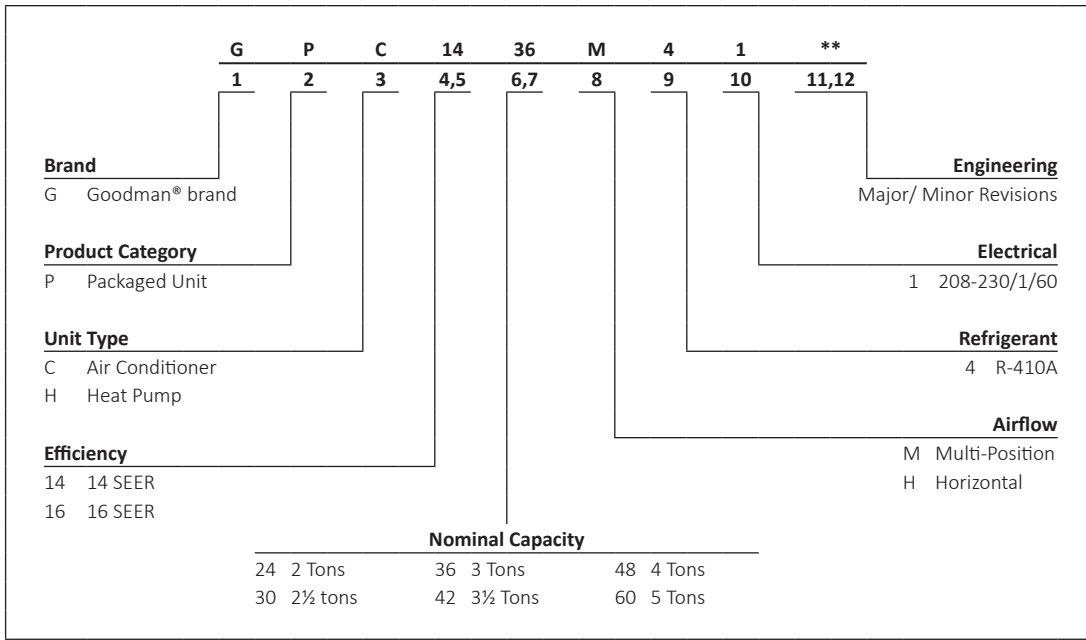
- Energy-efficient compressor
- Multi-speed ECM indoor blower motor
- Convertible airflow: horizontal or downflow application
- Copper tube/aluminum fin condenser coil
- All-aluminum evaporator coil
- Totally enclosed, permanently lubricated condenser fan motor
- 5 kW to 20 kW electric heat kit available as a field-installed option
- AHRI Certified; ETL Listed

Cabinet Features

- Heavy-gauge galvanized-steel cabinet with attractive Architectural Gray powder-paint finish
- Louvered condenser coil protection
- Aluminum foil-facing internal insulation reinforced with fiberglass scrim
- Fully insulated blower compartment with convenient access panels
- Meets cabinet air leakage requirements when tested in accordance with ASHRAE standard 193
- One footprint for all tonnages



* Complete warranty details available from your local dealer or at www.goodmanmfg.com. To receive the 2-Year Unit Replacement Limited Warranty and 10-Year Parts Limited Warranty, online registration must be completed within 60 days of installation. Online registration is not required in California or Quebec.



	GPC14 24M41A*	GPC14 30M41A*	GPC14 36M41B*	GPC14 42M41A*	GPC14 48M41A*	GPC14 60M41A*
COOLING CAPACITY						
Total BTU/h	23,000	28,600	35,000	40,000	46,500	56,000
Sensible BTU/h	17,700	21,800	27,000	29,600	36,200	41,000
SEER / EER	14 / 11.0	14 / 11.0	14 / 11.0	14 / 11.0	14 / 11.0	14 / 11.0
Decibels	78.0	78.0	80.1	78.0	81.7	80.2
AHRI Numbers	7513338	7513342	7513339	7513340	7513341	7513343
EVAPORATOR MOTOR						
Type	ECM	ECM	ECM	ECM	ECM	ECM
Nominal Cooling CFM	800	1,000	1,200	1,325	1,600	1,700
Wheel (DxW)	10 x 9	10 x 9	10 x 9	10 x 9	10 x 9	10 x 9
No. of Speeds	5	5	5	5	5	5
Horsepower- RPM	½	½	½	½	¾	1.0
EVAPORATOR COIL						
Face Area (ft ²)	4.50	4.50	4.50	4.50	6.17	6.17
Rows Deep/ Fin per Inch	4/ 14	4/ 14	4/ 14	4/ 14	4/ 14	4/ 14
Drain Size (NPT)	¾"	¾"	¾"	¾"	¾"	¾"
Refrigerant Charge (oz.)	86	80	84	95	108	177
CONDENSER FAN / COIL						
Horsepower- RPM	¼- 815	¼- 830	¼- 1,075	¼- 1,075	¼- 1,075	½- 1120
Fan Diameter / # Fan Blades	22 / 3	22 / 3	22 / 3	22 / 3	22 / 3	22 / 3
Face Area (ft ²)	12.29	12.29	8.77	11.13	15.36	20.67
Rows Deep/ Fins per Inch	1 / 24	1 / 24	2 / 27	2 / 27	1 / 24	2 / 16
COMPRESSOR						
Quantity	1	1	1	1	1	1
Type	Rotary	Scroll	Rotary	Scroll	Scroll	Scroll
Stage	Single	Single	Single	Single	Single	Single
ELECTRICAL DATA						
Voltage-Phase	208/230-1	208/230-1	208/230-1	208/230-1	208/230-1	208/230-1
Compressor RLA/LRA	7.7 / 37	14.1 / 73	12.7 / 55.3	17.9 / 112	19.9 / 109	25.0 / 134
Indoor Blower FLA	3.9	3.9	3.9	3.9	5.7	7.0
Outdoor Fan FLA / LRA	1.1 / 1.7	1.5 / 3.0	1.4 / 2.9	1.4 / 2.9	1.4 / 2.9	2.0 / 4.4
Total Unit Amps	12.7	19.5	22.0	23.2	27.0	34.0
Min. Circuit Ampacity ¹	14.6	23.0	21.1	27.7	32.0	40.3
Max. Overcurrent Protection ²	20 amps	35 amps	30 amps	45 amps	50 amps	60 amps
SHIP WEIGHT (LBS)	319	342	365	388	435	458

¹ Wire size should be determined in accordance with National Electrical Codes. Extensive wire runs will require larger wire sizes.

² May use fuses or HACR-type circuit breakers of the same size as noted.

Note: Always check the S&R plate for electrical data on the unit being installed.

EXPANDED COOLING DATA — GPC1424M41A*

IDB	AIRFLOW	OUTDOOR AMBIENT TEMPERATURE																																			
		65°F						75°F						85°F						95°F						105°F						115°F					
		59	63	67	71	59	63	67	71	59	63	67	71	59	63	67	71	59	63	67	71	59	63	67	71	59	63	67	71	59	63	67	71				
904	MBh	23.1	23.9	26.2	-	22.5	23.4	25.6	-	22.0	22.8	25.0	-	21.5	22.3	24.4	-	20.4	21.1	23.2	-	18.9	19.6	21.5	-												
	S/T	0.77	0.64	0.45	-	0.80	0.67	0.46	-	0.82	0.68	0.47	-	0.84	0.71	0.49	-	0.88	0.73	0.51	-	0.88	0.74	0.51	-												
	ΔT	18	16	12	-	18	16	12	-	18	16	12	-	18	16	12	-	18	16	12	-	17	15	11	-												
	kW	1.42	1.45	1.50	-	1.53	1.57	1.62	-	1.63	1.67	1.72	-	1.72	1.75	1.81	-	1.79	1.83	1.89	-	1.85	1.89	1.96	-												
	Amps	6.5	6.6	6.8	-	6.9	7.0	7.2	-	7.4	7.6	7.8	-	7.8	8.0	8.2	-	8.3	8.4	8.7	-	8.7	8.9	9.1	-												
806	Hi PR	231	249	263	-	260	279	295	-	295	318	336	-	336	362	382	-	378	407	430	-	418	450	475	-												
	Lo PR	114	121	132	-	120	128	139	-	125	133	145	-	131	139	152	-	137	146	159	-	142	151	165	-												
	MBh	22.4	23.2	25.4	-	21.9	22.7	24.9	-	21.4	22.1	24.3	-	20.8	21.6	23.7	-	19.8	20.5	22.5	-	18.3	19.0	20.8	-												
	S/T	0.73	0.61	0.42	-	0.76	0.64	0.44	-	0.78	0.65	0.45	-	0.81	0.67	0.47	-	0.84	0.70	0.48	-	0.84	0.70	0.49	-												
	ΔT	19	16	12	-	19	16	12	-	19	16	12	-	19	17	13	-	19	16	12	-	18	15	12	-												
707	kW	1.41	1.44	1.49	-	1.52	1.55	1.60	-	1.62	1.65	1.71	-	1.70	1.74	1.80	-	1.77	1.81	1.87	-	1.84	1.88	1.94	-												
	Amps	6.4	6.6	6.7	-	6.9	7.0	7.2	-	7.4	7.5	7.7	-	7.8	7.9	8.2	-	8.2	8.4	8.6	-	8.6	8.8	9.1	-												
	Hi PR	229	247	260	-	257	277	292	-	292	315	332	-	333	358	378	-	375	403	426	-	414	445	470	-												
	Lo PR	112	120	131	-	119	126	138	-	124	131	143	-	130	138	151	-	136	145	158	-	141	150	163	-												
	MBh	20.7	21.4	23.5	-	20.2	20.9	22.9	-	19.7	20.4	22.4	-	19.2	19.9	21.9	-	18.3	18.9	20.8	-	16.9	17.6	19.2	-												
75	S/T	0.71	0.59	0.41	-	0.73	0.61	0.42	-	0.75	0.63	0.44	-	0.78	0.65	0.45	-	0.81	0.67	0.47	-	0.81	0.68	0.47	-												
	ΔT	19	16	13	-	19	17	13	-	19	17	13	-	19	17	13	-	19	17	13	-	18	15	12	-												
	kW	1.38	1.41	1.45	-	1.48	1.51	1.56	-	1.58	1.61	1.66	-	1.66	1.70	1.75	-	1.73	1.77	1.83	-	1.79	1.83	1.89	-												
	Amps	6.3	6.4	6.6	-	6.7	6.8	7.0	-	7.2	7.3	7.5	-	7.6	7.7	8.0	-	8.0	8.2	8.4	-	8.4	8.6	8.8	-												
	Hi PR	222	239	253	-	249	268	283	-	284	305	322	-	323	348	367	-	363	391	413	-	402	432	456	-												
Lo PR	109	116	127	-	115	123	134	-	120	127	139	-	126	134	146	-	132	140	153	-	136	145	158	-													

904	MBh	23.5	24.2	26.2	28.1	22.9	23.6	25.6	27.4	22.4	23.0	24.9	26.8	21.8	22.5	24.3	26.1	20.7	21.4	23.1	24.8
	S/T	0.87	0.78	0.59	0.38	0.91	0.81	0.61	0.39	0.93	0.83	0.63	0.40	0.96	0.86	0.65	0.42	1.00	0.89	0.67	0.43
	ΔT	21	19	16	11	21	19	16	11	21	19	16	11	21	20	16	11	21	19	16	11
	kW	1.43	1.46	1.51	1.56	1.54	1.58	1.63	1.68	1.64	1.68	1.73	1.79	1.73	1.77	1.83	1.89	1.80	1.84	1.91	1.97
	Amps	6.5	6.7	6.8	7.0	7.0	7.1	7.3	7.5	7.5	7.6	7.8	8.1	7.9	8.1	8.3	8.6	8.3	8.5	8.7	9.0
806	Hi PR	234	252	266	277	262	282	298	311	298	321	339	354	340	366	386	403	382	411	434	453
	Lo PR	115	122	133	142	121	129	141	150	126	134	146	156	132	141	154	164	139	148	161	172
	MBh	22.8	23.5	25.4	27.3	22.3	22.9	24.8	26.6	21.7	22.4	24.2	26.0	21.2	21.8	23.6	25.4	20.1	20.7	22.4	24.1
	S/T	0.83	0.75	0.56	0.36	0.86	0.77	0.59	0.38	0.89	0.79	0.60	0.39	0.92	0.82	0.62	0.40	0.95	0.85	0.64	0.41
	ΔT	22	20	16	11	22	20	17	11	22	20	17	11	22	20	17	12	22	20	16	11
707	kW	1.42	1.45	1.50	1.55	1.53	1.57	1.62	1.67	1.63	1.67	1.72	1.78	1.72	1.75	1.81	1.87	1.79	1.83	1.89	1.95
	Amps	6.5	6.6	6.8	7.0	6.9	7.1	7.2	7.5	7.4	7.6	7.8	8.0	7.8	8.0	8.2	8.5	8.3	8.4	8.7	9.0
	Hi PR	231	249	263	274	260	279	295	308	295	318	336	350	336	362	382	399	378	407	430	449
	Lo PR	114	121	132	141	120	128	139	148	125	133	145	154	131	139	152	162	137	146	160	170
	MBh	21.0	21.7	23.4	25.2	20.5	21.2	22.9	24.6	20.1	20.7	22.4	24.0	19.6	20.1	21.8	23.4	18.6	19.1	20.7	22.2
75	S/T	0.80	0.72	0.54	0.35	0.83	0.75	0.56	0.36	0.85	0.76	0.58	0.37	0.88	0.79	0.60	0.38	0.92	0.82	0.62	0.40
	ΔT	22	20	17	11	22	21	17	12	22	21	17	12	22	21	17	12	22	20	17	12
	kW	1.39	1.42	1.46	1.51	1.49	1.53	1.58	1.63	1.59	1.62	1.68	1.73	1.67	1.71	1.77	1.83	1.74	1.78	1.84	1.90
	Amps	6.3	6.5	6.6	6.8	6.8	6.9	7.1	7.3	7.2	7.4	7.6	7.8	7.7	7.8	8.0	8.3	8.1	8.2	8.5	8.7
	Hi PR	225	242	255	266	252	271	286	299	287	308	326	340	326	351	371	387	367	395	417	435
Lo PR	110	117	128	136	116	124	135	144	121	129	141	150	127	135	148	157	133	142	155	165	

IDB: Entering Indoor Dry Bulb Temperature
 High and low pressures are measured at the liquid and suction service valves.
 Shaded area reflects ACCA (TVA) conditions.
 kW = Total system power
 Amps = outdoor unit amps (comp.+fan)

IDB	AIRFLOW	OUTDOOR AMBIENT TEMPERATURE												ENTERING INDOOR WET BULB TEMPERATURE												
		65°F				75°F				85°F				95°F				105°F				115°F				
		59	63	67	71	59	63	67	71	59	63	67	71	59	63	67	71	59	63	67	71	59	63	67	71	
80	904	MBh	23.9	24.4	26.1	27.9	23.3	23.8	25.5	27.2	22.8	22.8	24.3	26.6	22.2	22.7	24.3	25.9	21.1	21.6	23.0	24.6	19.6	20.0	21.4	22.8
		S/T	0.96	0.90	0.73	0.55	1.00	0.93	0.76	0.57	1.00	1.00	0.80	0.58	1.00	1.00	0.80	0.60	1.00	1.00	0.83	0.62	1.00	1.00	0.84	0.63
	ΔT	23	22	19	16	24	23	20	16	23	23	20	16	23	23	20	16	21	22	20	16	20	20	18	15	
	KW	1.45	1.48	1.52	1.57	1.56	1.59	1.64	1.70	1.66	1.66	1.75	1.81	1.74	1.78	1.84	1.91	1.82	1.86	1.92	1.99	1.88	1.93	1.99	2.06	
	Amps	6.6	6.7	6.9	7.1	7.0	7.2	7.4	7.6	7.5	7.5	7.7	7.9	8.0	8.1	8.4	8.6	8.4	8.6	8.8	9.1	8.8	9.0	9.3	9.6	
	Hi PR	236	254	268	280	265	285	301	314	301	324	342	357	343	369	390	407	386	416	439	458	427	459	485	506	
	Lo PR	116	123	135	143	122	130	142	151	127	135	148	157	134	142	155	165	140	149	163	173	145	154	168	179	
	806	MBh	23.2	23.7	25.3	27.1	22.7	23.2	24.7	26.4	22.1	22.6	24.1	25.8	21.6	22.0	23.6	25.2	20.5	20.9	22.4	23.9	19.0	19.4	20.7	22.2
		S/T	0.92	0.86	0.70	0.52	0.95	0.89	0.72	0.54	0.97	0.91	0.74	0.55	1.00	0.94	0.77	0.57	1.00	0.98	0.80	0.59	1.00	0.99	0.80	0.60
	707	MBh	21.4	21.9	23.4	25.0	20.9	21.4	22.8	24.4	20.4	20.9	22.3	23.8	19.9	20.4	21.7	23.2	18.9	19.3	20.7	22.1	17.5	17.9	19.1	20.5
S/T		0.88	0.83	0.67	0.50	0.91	0.86	0.70	0.52	0.94	0.88	0.72	0.53	0.97	0.91	0.74	0.55	1.00	0.94	0.77	0.57	1.01	0.95	0.77	0.58	

IDB: Entering Indoor Dry Bulb Temperature
 High and low pressures are measured at the liquid and suction access fittings.
 Shaded area reflects AHRI (TVA) conditions
 KW = Total system power
 Amps = outdoor unit amps (comp.+fan)

EXPANDED COOLING DATA — GPC1436M41A*

		OUTDOOR AMBIENT TEMPERATURE												ENTERING INDOOR WET BULB TEMPERATURE													
		65°F				75°F				85°F				95°F				105°F				115°F					
		59	63	67	71	59	63	67	71	59	63	67	71	59	63	67	71	59	63	67	71	59	63	67	71		
70	IDB	AIRFLOW	59	63	67	71	59	63	67	71	59	63	67	71	59	63	67	71	59	63	67	71	59	63	67	71	
		MBh	35.3	36.6	40.1	-	34.5	35.8	39.2	-	33.7	34.9	38.3	-	32.9	34.1	37.3	-	31.2	32.4	35.5	-	28.9	30.0	32.9	-	
		S/T	0.79	0.66	0.46	-	0.82	0.68	0.47	-	0.84	0.70	0.49	-	0.87	0.72	0.50	-	0.90	0.75	0.52	-	0.91	0.76	0.53	-	
		ΔT	19	16	12	-	19	16	12	-	19	16	12	-	19	16	12	-	19	16	12	-	17	15	11	-	
		1381	KW	2.34	2.39	2.46	-	2.52	2.57	2.65	-	2.67	2.73	2.82	-	2.81	2.87	2.97	-	2.93	2.99	3.09	-	3.03	3.10	3.20	-
		Amps	9.7	9.9	10.2	-	10.4	10.6	10.9	-	11.2	11.4	11.8	-	11.9	12.2	12.5	-	12.6	12.9	13.2	-	13.3	13.5	14.0	-	
		Hi PR	234	252	266	-	263	283	299	-	299	322	340	-	340	366	387	-	383	412	435	-	423	455	481	-	
		Lo PR	108	115	126	-	115	122	133	-	119	127	138	-	125	133	145	-	131	139	152	-	136	144	157	-	
		MBh	34.3	35.6	39.0	-	33.5	34.7	38.1	-	32.7	33.9	37.2	-	31.9	33.1	36.2	-	30.3	31.4	34.4	-	28.1	29.1	31.9	-	
		S/T	0.75	0.63	0.44	-	0.78	0.65	0.45	-	0.80	0.67	0.46	-	0.83	0.69	0.48	-	0.86	0.72	0.50	-	0.87	0.72	0.50	-	
		ΔT	19	17	13	-	20	17	13	-	20	17	13	-	20	17	13	-	19	17	13	-	18	16	12	-	
		1230	KW	2.32	2.37	2.44	-	2.50	2.55	2.63	-	2.65	2.71	2.80	-	2.79	2.85	2.94	-	2.90	2.97	3.06	-	3.00	3.07	3.17	-
	Amps	9.7	9.9	10.1	-	10.3	10.6	10.9	-	11.1	11.4	11.7	-	11.8	12.1	12.4	-	12.5	12.7	13.1	-	13.1	13.4	13.8	-		
	Hi PR	232	249	263	-	260	280	296	-	296	318	336	-	337	363	383	-	379	408	431	-	419	451	476	-		
	Lo PR	107	114	125	-	113	121	132	-	118	125	137	-	124	132	144	-	130	138	151	-	134	143	156	-		
	MBh	31.7	32.8	36.0	-	30.9	32.1	35.1	-	30.2	31.3	34.3	-	29.5	30.5	33.5	-	28.0	29.0	31.8	-	25.9	26.9	29.4	-		
	S/T	0.73	0.61	0.42	-	0.75	0.63	0.44	-	0.77	0.65	0.45	-	0.80	0.67	0.46	-	0.83	0.69	0.48	-	0.83	0.70	0.48	-		
	ΔT	20	17	13	-	20	17	13	-	20	17	13	-	20	17	13	-	20	17	13	-	18	16	12	-		
	1079	KW	2.27	2.32	2.39	-	2.44	2.49	2.57	-	2.59	2.64	2.73	-	2.72	2.78	2.87	-	2.83	2.89	2.99	-	2.93	2.99	3.09	-	
	Amps	9.4	9.6	9.9	-	10.1	10.3	10.6	-	10.8	11.1	11.4	-	11.5	11.8	12.1	-	12.2	12.4	12.8	-	12.8	13.1	13.5	-		
	Hi PR	225	242	256	-	252	272	287	-	287	309	326	-	327	352	371	-	368	396	418	-	406	437	462	-		
	Lo PR	104	111	121	-	110	117	128	-	114	122	133	-	120	128	139	-	126	134	146	-	130	139	151	-		

IDB: Entering Indoor Dry Bulb Temperature
 High and low pressures are measured at the liquid and suction service valves.

Shaded area reflects ACCA (TVA) conditions.

kW = Total system power
 Amps = outdoor unit amps (comp.+fan)

MODEL	SPEED	VOLTS		E.S.P (IN. OF H2O)								
				0.1	0.2	0.3	0.4	0.5	0.6	0.7	0.8	0.9
GPC1424M41*	T1	230	CFM	580	505	445	390	320	---	---	---	
			WATTS	36	46	54	60	65	---	---	---	
	T2/T3	230	CFM	900	850	800	740	655	605	555	490	420
			WATTS	92	101	110	119	126	135	140	145	153
T4/T5	230	CFM	1230	1190	1140	1095	1040	990	920	850	785	
		WATTS	202	212	220	233	235	243	249	262	265	
GPC1430M41*	T1	230	CFM	---	550	475	415	340	270	---	---	---
			WATTS	---	50	59	66	74	77	---	---	---
	T2/T3	230	CFM	1070	1030	985	935	875	770	705	660	---
			WATTS	144	153	160	169	178	184	188	200	---
T4/T5	230	CFM	1345	1305	1260	1220	1180	1125	1080	975	900	
		WATTS	258	273	272	283	292	298	306	310	320	
GPC1436M41*	T1	230	CFM	1070	1030	980	935	870	775	720	665	---
			WATTS	145	161	165	173	181	190	198	202	---
	T2/T3	230	CFM	1285	1245	1205	1165	1110	1060	1005	910	860
			WATTS	238	246	258	264	263	282	288	296	296
T4/T5	230	CFM	1505	1465	1420	1385	1335	1300	1250	1205	1150	
		WATTS	359	371	384	383	393	398	406	416	422	
GPC1442M41*	T1	230	CFM	1035	995	945	895	845	790	695	630	580
			WATTS	132	144	152	157	168	176	183	189	196
	T2/T3	230	CFM	1410	1365	1330	1290	1250	1205	1155	1110	1065
			WATTS	301	312	316	322	331	339	347	356	365
T4/T5	230	CFM	1545	1500	1465	1425	1385	1345	1310	1270	1225	
		WATTS	390	396	413	417	421	431	435	443	453	
GPC1448M41*	T1	230	CFM	1355	1300	1250	1210	1155	1110	1045	965	905
			WATTS	212	228	230	246	248	261	273	282	289
	T2/T3	230	CFM	1655	1610	1575	1530	1485	1440	1395	1340	1285
			WATTS	365	370	383	396	410	417	416	423	434
T4/T5	230	CFM	1895	1855	1805	1770	1730	1685	1640	1600	1565	
		WATTS	558	558	578	584	590	594	602	612	615	
GPC1460M41*	T1	230	CFM	1360	1300	1260	1215	1175	1125	1085	1030	960
			WATTS	213	221	233	244	255	264	273	293	304
	T2/T3	230	CFM	1665	1630	1595	1555	1505	1475	1425	1380	1360
			WATTS	385	405	410	409	429	441	448	454	471
T4/T5	230	CFM	2000	1960	1925	1875	1835	1800	1760	1725	1680	
		WATTS	642	651	660	651	672	683	691	699	695	

Notes

- Data shown is dry coil. Wet coil pressure drop is approximately 0.1" H₂O, for two-row indoor coil; 0.2" H₂O, for three-row indoor coil; and 0.3" H₂O, for four-row indoor coil.
- Data shown does not include filter pressure drop, approx. 0.08" H₂O.
- ALL MODELS SHOULD RUN NO LESS THAN 350 CFM/TON. USE HIGHER SPEED TAP OR NEXT SIZE LARGER BLOWER ASM. See Repair Parts list.
- Reduce airflow by 2% for 208-volt operation.

MODEL AND HEAT KIT USAGE	CIRCUIT #1		CIRCUIT #2		SINGLE-POINT KIT		ACTUAL KW / BTU@ 240V
	MCA ¹	MOP ²	MCA ¹	MOP ²	MCA ¹	MOP ²	
GPC14240M41**	1.9	---	---	---	--	--	---
HKP-05C*	21 / 25	25 / 25	---	---	25	40	4.75 / 16,200
HKR-08*, HKR-08C*	32 / 36	35 / 40	---	---	34 / 39	40 / 40	7.0 / 23,800
HKP-10C*	43 / 49	45 / 50	---	---	45 / 52	60 / 60	9.5 / 32,400
GPC1430M41**	1.9	---	---	---	--	--	---
HKP-05C*	21 / 25	25 / 25	---	---	25	40	4.75 / 16,200
HKR-08*, HKR-08C*	32 / 36	35 / 40	---	---	34 / 39	40 / 40	7.0 / 23,800
HKP-10C*	43 / 49	45 / 50	---	---	45 / 52	60 / 60	9.5 / 32,400
HKP-15C*	43 / 49	45 / 50	21 / 25	25 / 25	66 / 76	70 / 80	14.25 / 48,600
GPC1436M41**	1.9	---	---	---	--	--	---
HKP-05C*	21 / 25	25 / 25	---	---	25	40	4.75 / 16,200
HKR-08*, HKR-08C*	32 / 36	35 / 40	---	---	34 / 39	40 / 40	7.0 / 23,800
HKP-10C*	43 / 49	45 / 50	---	---	45 / 52	60 / 60	9.5 / 32,400
HKP-15C*	43 / 49	45 / 50	21 / 25	25 / 25	66 / 76	70 / 80	14.25 / 48,600
GPC1442M41**	1.9	---	---	---	--	--	---
HKP-05C*	21 / 25	25 / 25	---	---	25	40	4.75 / 16,200
HKR-08*, HKR-08C*	32 / 36	35 / 40	---	---	34 / 39	40 / 40	7.0 / 23,800
HKP-10C*	43 / 49	45 / 50	---	---	45 / 52	60 / 60	9.5 / 32,400
HKP-15C*	43 / 49	45 / 50	21 / 25	25 / 25	66 / 76	70 / 80	14.25 / 48,600
GPC1448M41**	7.3	---	---	---	--	--	---
HKP-05C*	21 / 25	25 / 25	---	---	32	50	4.75 / 16,200
HKR-08*, HKR-08C*	32 / 36	35 / 40	---	---	38 / 40	50	7.0 / 23,800
HKP-10C*	43 / 49	45 / 50	---	---	49 / 56	60 / 60	9.5 / 32,400
HKP-15C*	43 / 49	45 / 50	21 / 25	25 / 25	70 / 80	80 / 90	14.25 / 48,600
HKP-20C	43 / 49	45 / 50	43 / 49	45 / 50	92 / 105	100 / 110	19.0 / 64,800
GPC1460M41**	9.5	---	---	---	--	--	---
HKP-05C*	21 / 25	25 / 25	---	---	42	60	4.75 / 16,200
HKR-08*, HKR-08C*	32 / 36	35 / 40	---	---	42	60	7.0 / 23,800
HKP-10C*	43 / 49	45 / 50	---	---	51 / 58	60 / 60	9.5 / 32,400
HKP-15C*	43 / 49	45 / 50	21 / 25	25 / 25	72 / 82	80 / 90	14.25 / 48,600
HKP-20C	43 / 49	45 / 50	43 / 49	45 / 50	93 / 107	100 / 110	19.0 / 64,800

¹ Minimum Circuit Ampacity @ 208 / 240 V

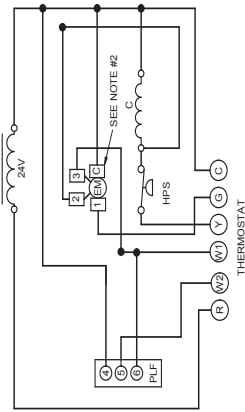
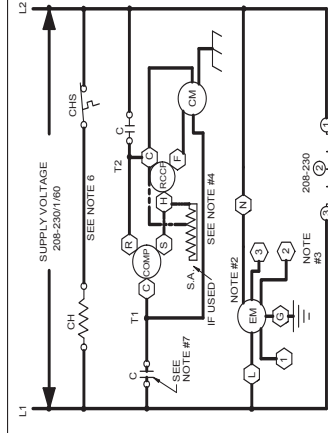
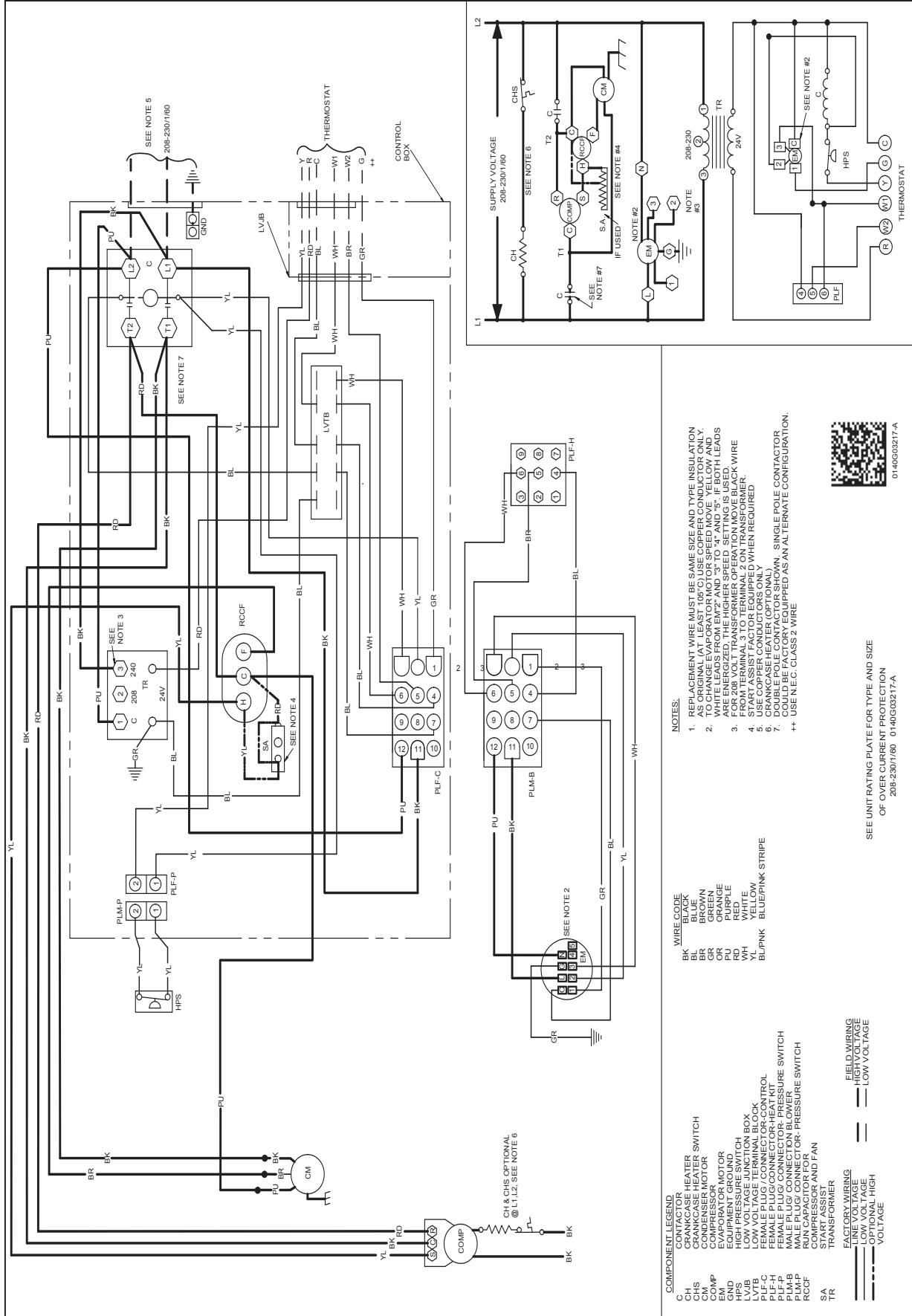
² Maximum Overcurrent Protection Device @ 208 / 240 V

* Revision level that may or may not be designated

C Circuit breaker option

NOTE: HKP-15C* and HKP-20C* replace HKR-15C and HKR-20C respectively to meet new UL1995 requirements.

1	2	3	4	5	6	7	8																																															
CHK ID	REV ZONE	DESCRIPTION						DATE																																														
XXXXXX	A	XXXX						- GL																																														
<table border="1" style="width:100%; border-collapse: collapse;"> <thead> <tr> <th rowspan="2">MODEL</th> <th colspan="3">DIMENSIONS</th> <th colspan="2">CHASSIS SIZE</th> </tr> <tr> <th>W"</th> <th>D"</th> <th>H"</th> <th>MED.</th> <th>LARGE</th> </tr> </thead> <tbody> <tr> <td>GPC1424M41A*</td> <td>47</td> <td>51</td> <td>34$\frac{3}{4}$</td> <td>X</td> <td></td> </tr> <tr> <td>GPC1430M41A*</td> <td>47</td> <td>51</td> <td>34$\frac{3}{4}$</td> <td>X</td> <td></td> </tr> <tr> <td>GPC1436M41A*</td> <td>47</td> <td>51</td> <td>34$\frac{3}{4}$</td> <td>X</td> <td></td> </tr> <tr> <td>GPC1442M41A*</td> <td>47</td> <td>51</td> <td>34$\frac{3}{4}$</td> <td>X</td> <td></td> </tr> <tr> <td>GPC1448M41A*</td> <td>47</td> <td>51</td> <td>42$\frac{3}{4}$</td> <td></td> <td>X</td> </tr> <tr> <td>GPC1460M41A*</td> <td>47</td> <td>51</td> <td>42$\frac{3}{4}$</td> <td></td> <td>X</td> </tr> </tbody> </table>								MODEL	DIMENSIONS			CHASSIS SIZE		W"	D"	H"	MED.	LARGE	GPC1424M41A*	47	51	34 $\frac{3}{4}$	X		GPC1430M41A*	47	51	34 $\frac{3}{4}$	X		GPC1436M41A*	47	51	34 $\frac{3}{4}$	X		GPC1442M41A*	47	51	34 $\frac{3}{4}$	X		GPC1448M41A*	47	51	42 $\frac{3}{4}$		X	GPC1460M41A*	47	51	42 $\frac{3}{4}$		X
MODEL	DIMENSIONS			CHASSIS SIZE																																																		
	W"	D"	H"	MED.	LARGE																																																	
GPC1424M41A*	47	51	34 $\frac{3}{4}$	X																																																		
GPC1430M41A*	47	51	34 $\frac{3}{4}$	X																																																		
GPC1436M41A*	47	51	34 $\frac{3}{4}$	X																																																		
GPC1442M41A*	47	51	34 $\frac{3}{4}$	X																																																		
GPC1448M41A*	47	51	42 $\frac{3}{4}$		X																																																	
GPC1460M41A*	47	51	42 $\frac{3}{4}$		X																																																	
<table border="1" style="width:100%; border-collapse: collapse;"> <thead> <tr> <th rowspan="2">MODEL</th> <th colspan="2">DIMENSIONS</th> </tr> <tr> <th>A</th> <th>B</th> </tr> </thead> <tbody> <tr> <td>GPC1424M41A*</td> <td>32</td> <td>16</td> </tr> <tr> <td>GPC1430M41A*</td> <td>32</td> <td>16</td> </tr> <tr> <td>GPC1436M41A*</td> <td>32</td> <td>16</td> </tr> <tr> <td>GPC1442M41A*</td> <td>32</td> <td>16</td> </tr> <tr> <td>GPC1448M41A*</td> <td>40</td> <td>18</td> </tr> <tr> <td>GPC1460M41A*</td> <td>40</td> <td>18</td> </tr> </tbody> </table>								MODEL	DIMENSIONS		A	B	GPC1424M41A*	32	16	GPC1430M41A*	32	16	GPC1436M41A*	32	16	GPC1442M41A*	32	16	GPC1448M41A*	40	18	GPC1460M41A*	40	18																								
MODEL	DIMENSIONS																																																					
	A	B																																																				
GPC1424M41A*	32	16																																																				
GPC1430M41A*	32	16																																																				
GPC1436M41A*	32	16																																																				
GPC1442M41A*	32	16																																																				
GPC1448M41A*	40	18																																																				
GPC1460M41A*	40	18																																																				
<p>Goodman Company, L.C.</p> <p>GPC14M</p> <p>DESIGNED BY: [] ENGINEER: []</p> <p>DRAWN BY: []</p> <p>DATE: []</p> <p>SCALE: []</p> <p>NO. OF SHEETS: []</p> <p>SHEET NO.: []</p> <p>REV: []</p> <p>APP: []</p>																																																						
<p>COMPONENTS AND MATERIALS SPECIFIED HEREIN WILL ALSO CONFORM TO THE APPLICABLE SECTION OF GOODMAN MSP (B4.0) WORKMANSHIP STANDARD FOR FIT AND FINISH.</p> <p>CONFIDENTIAL PROPERTY OF THE GOODMAN MANUFACTURING COMPANY. I.P. NOT TO BE REPRODUCED TO OTHERS, COPIED, OR USED FOR ANY PURPOSE EXCEPT AS AUTHORIZED IN WRITING. MUST BE RETURNED UPON DEMAND, ON COMPLETION OF ORDER, OR OTHER PURPOSE FOR WHICH IT WAS SLENT.</p>																																																						



- NOTES:
- REPLACEMENT WIRE MUST BE SAME SIZE AND TYPE INSULATION AS ORIGINAL (AT LEAST 105°C) USE COPPER CONDUCTOR ONLY.
 - TO CHANGE EVAPORATOR MOTOR SPEED MOVE YELLOW AND BLUE LEADS TO THE OTHER SPEED LEAD.
 - FOR 208 VOLT TRANSFORMER OPERATION MOVE BLACK WIRE TO THE OTHER SPEED LEAD.
 - START ASSIST FACTOR EQUIPPED WHEN REQUIRED.
 - USE COPPER CONDUCTORS ONLY.
 - CRANKCASE HEATER (OPTIONAL) W/IN SINGLE POLE CONTACTOR.
 - CRANKCASE HEATER (OPTIONAL) W/IN SINGLE POLE CONTACTOR.
 - COULD BE FACTORY EQUIPPED AS AN ALTERNATE CONFIGURATION.
- ** USE N.E.C. CLASS 2 WIRE



SEE UNIT RATING PLATE FOR TYPE AND SIZE OF OVER CURRENT PROTECTION
208-230/1/60 014403217-A

- COMPONENT LEGEND
- C CONTACTOR
 - CH CRANKCASE HEATER SWITCH
 - CHS CONDENSER MOTOR
 - COMP COMPRESSOR
 - EM EVAPORATOR MOTOR
 - FAN FAN MOTOR
 - HPS HIGH PRESSURE SWITCH
 - LVJB LOW VOLTAGE JUNCTION BOX
 - PLM-B FEMALE PLUG/CONNECTOR-HEAT KIT
 - PLM-H MALE PLUG/CONNECTOR-HEAT KIT
 - PLM-P FEMALE PLUG/CONNECTOR-PRESSURE SWITCH
 - RCCF RUN CAPACITOR FOR CRANKCASE HEATER AND FAN
 - SA START ASSIST
 - TR TRANSFORMER
- WIRE CODE
- BK BLACK
 - BR BROWN
 - GR GREEN
 - OR PURPLE
 - PU PURPLE
 - RD RED
 - WH WHITE
 - YL YELLOW
 - BL/PNK BLUE/PINK STRIPE
- FACTORY WIRING
- HIGH VOLTAGE
 - LOW VOLTAGE

WARNING High Voltage: Disconnect all power before servicing or installing this unit. Multiple power sources may be present. Failure to do so may cause property damage, personal injury, or death.

Wiring is subject to change. Always refer to the wiring diagram or the unit for the most up-to-date wiring.

ACCESSORY DESCRIPTION	ITEM NUMBER	
	MEDICUM CHASSIS	LARGE CHASSIS
Concentric Kit	CDK36	CDK4872
Downflow Economizer	GPJMED102	GPJMED103
Downflow Internal Filter Rack	DDNIFRPCHMM	DDNIFRPCHML
Downflow Manual Damper	PGMDD101/102	PGMDD103
Downflow Motorized Damper	PGMDMD101/102	PGMDMD103
Downflow Square to Round	SQRPG101/102	SQRPG103
Economizer Wiring Harness	0259G00213	0259G00213
External Horizontal Filter Rack	DPHFRA	DPHFRA
Horizontal Duct Cover	20464501PDGK	20464502PDGK
Horizontal Economizer	DHZECNJPCHM	DHZECNJPCHL
Horizontal Manual Damper	PGMDH102	PGMDH103
Horizontal Motorized Damper	PGMDMH102	PGMDMH103
Horizontal Square to Round	SQRPGH101/102	SQRPGH103
Outdoor Thermostat & Emergency Heat Relay Kit	OT/EHR18-60	OT/EHR18-60
Outdoor Thermostat Kit w/ Lockout Stat	OT18-60A	OT18-60A
Roof Curb	D14CRBPGCHMA	D14CRBPGCHMA

SINGLE-POINT KIT ACCESSORY KITS

Select the single-point kit accessory based on the unit model.

MODEL	SINGLE-POINT KIT
GPC1424M41**	SPK-35
GPC1430M41**	SPK-35
GPC1436M41**	SPK-40
GPC1442M41**	SPK-45
GPC1448M41**	SPK-50
GPC1460M41**	SPK-70