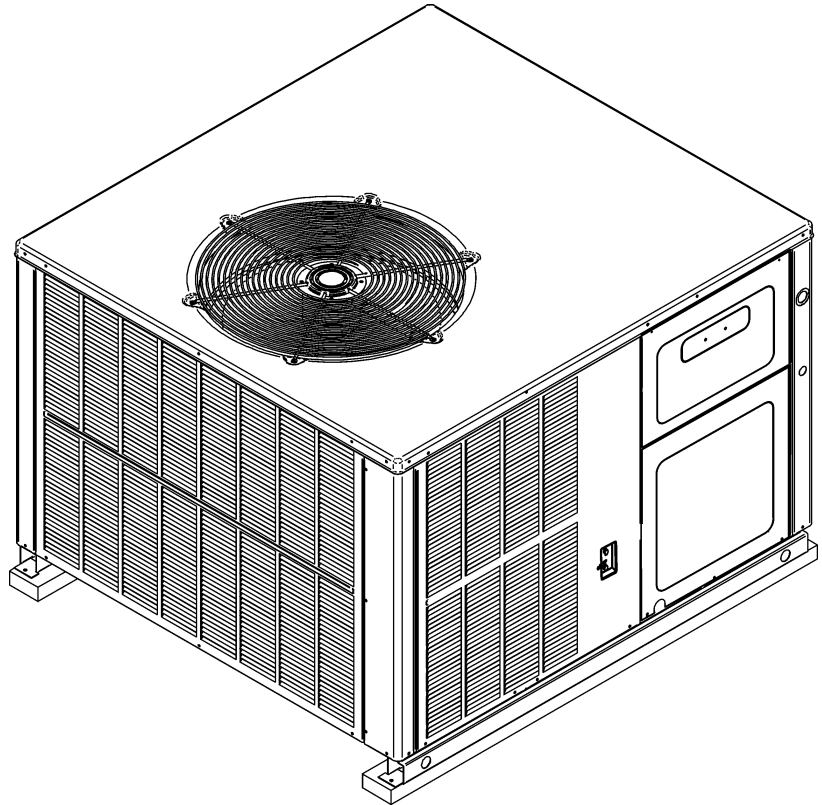


GPC14 Multi-Position Residential Package Cooling Unit

GPC1424M41AA
GPC1424M41AB
GPC1430M41AA
GPC1430M41AB
GPC1436M41AA
GPC1436M41AB
GPC1442M41AA
GPC1442M41AB
GPC1448M41AA
GPC1448M41AB
GPC1460M41AA
GPC1460M41AB



This manual is to be used by qualified technicians only.

This manual replaces RP-G3002.

© 2015-2016 Goodman Company, L.P. ♦ 5151 San Felipe St., Suite 500 ♦ Houston, TX 77056

Important Information

Index

Functional Parts List	3
Illustration and Parts	4 - 11

Views shown are for parts illustrations only, not servicing procedures

Text Codes:

AR - As Required

NA - Not Available

NS - Not Shown

00000000 - See Note

QTY - Quantity Example (QTY 3) (If Quantity not shown, Quantity = 1)

M - Model Example (M1) (If M Code not shown, then part is used on all Models)

Expanded Model Nomenclature:

Example M1 - Model#1 M2 - Model#2 M3 - Model#3

Goodman Company, L.P. is not responsible for personal injury or property damage resulting from improper service. Review all service information before beginning repairs.

Warranty service must be performed by an authorized technician, using authorized factory parts. If service is required after the warranty expires, Goodman Company, L.P. also recommends contacting an authorized technician and using authorized factory parts.

Goodman Company, L.P. reserves the right to discontinue, or change at any time, specifications or designs without notice or without incurring obligations.

For assistance within the U.S.A. contact:

Consumer Affairs Department

Goodman Company, L.P.

7401 Security Way

Houston, Texas 77040

877-254-4729-Telephone

713-863-2382-Facsimile

For assistance outside the U.S.A. contact:

International Division

Goodman Company, L.P.

7401 Security Way

Houston, Texas 77040

713-861-2500-Telephone

713-863-2382-Facsimile

Functional Parts

Part

No: **Description:**

50N492ZV-ZAKM	2.0TONRECHI COMPR.4 LEGS (M1, M2)
D6723303	BLOWER WHEEL
CAP100700440CT	CAP, 10/70 MFD/ 440V/ DUAL RD (M11, M12)
CAP050400440CT	CAPACITOR 5/40/440V/DUAL RD (M3, M4)
CAP050450440CT	CAPACITOR 5/45/440V/DUAL RD (M1, M2, M5, M6, M7, M8, M9, M10)
ZP49K5EPFV130	COMP,49400,208/230/60/1 (M11, M12)
ZP25K5EPFV130	COMPRESSOR 25200, 208/230/60/1 (M3, M4)
ZP31K5EPFV130	COMPRESSOR 31100, 208/230/60/1 (M5, M6)
ZP34K5EPFV130	COMPRESSOR 34500, 208/230/60/1 (M7, M8)
ZP39K5EPFV130	COMPRESSOR 39000, 208/230/60/1 (M9, M10)
0131M00430	COND MOTOR 1/3 HP, 1 SP, 6 PL (M11, M12)
0131M00061	COND MOTOR 1/4 HP, 1 SP, 8 PL (M3, M4)
0131M00429	COND MOTOR 1/4 HP, 1 SP,6 PL (M5, M6, M7, M8, M9, M10)
0131M00009P	COND MOTOR 1/6 HP, 1 SP, 8 PL (M1, M2)
CONT1P025024V	CONTACTOR 25 AMP, 1P, 24V (M1, M2, M3, M4, M5, M6)
CONT1P030024V	CONTACTOR 30 AMP, 1P, 24V (M7, M8)
CONT2P040024V	CONTACTOR 40 AMP, 2P, 24V (M9, M10, M11, M12)
0130M00074	CUT-OUT SWITCH, HIGH PRESSURE
0150M00008	FAN BLADE 22" TNT2203-25 (M1, M2, M3, M4)
0150G00002	FAN BLADE SWEPT-WING (M5, M6, M7, M8, M9, M10, M11, M12)
0131G00052	PROGRAMMED MOTOR (M11, M12)
0131G00047	PROGRAMMED MOTOR (M1, M2)
0131G00048	PROGRAMMED MOTOR (M3, M4)
0131G00049	PROGRAMMED MOTOR (M5, M6)
0131G00050	PROGRAMMED MOTOR (M7, M8)
0131G00051	PROGRAMMED MOTOR (M9, M10)
0130M00138	TRANSFORMER 208/230, 24V

Expanded Model Nomenclature

M1 - GPC1424M41AA
M2 - GPC1424M41AB
M3 - GPC1430M41AA
M4 - GPC1430M41AB
M5 - GPC1436M41AA
M6 - GPC1436M41AB
M7 - GPC1442M41AA
M8 - GPC1442M41AB
M9 - GPC1448M41AA
M10 - GPC1448M41AB
M11 - GPC1460M41AA
M12 - GPC1460M41AB

Cabinet Assembly

Image 1

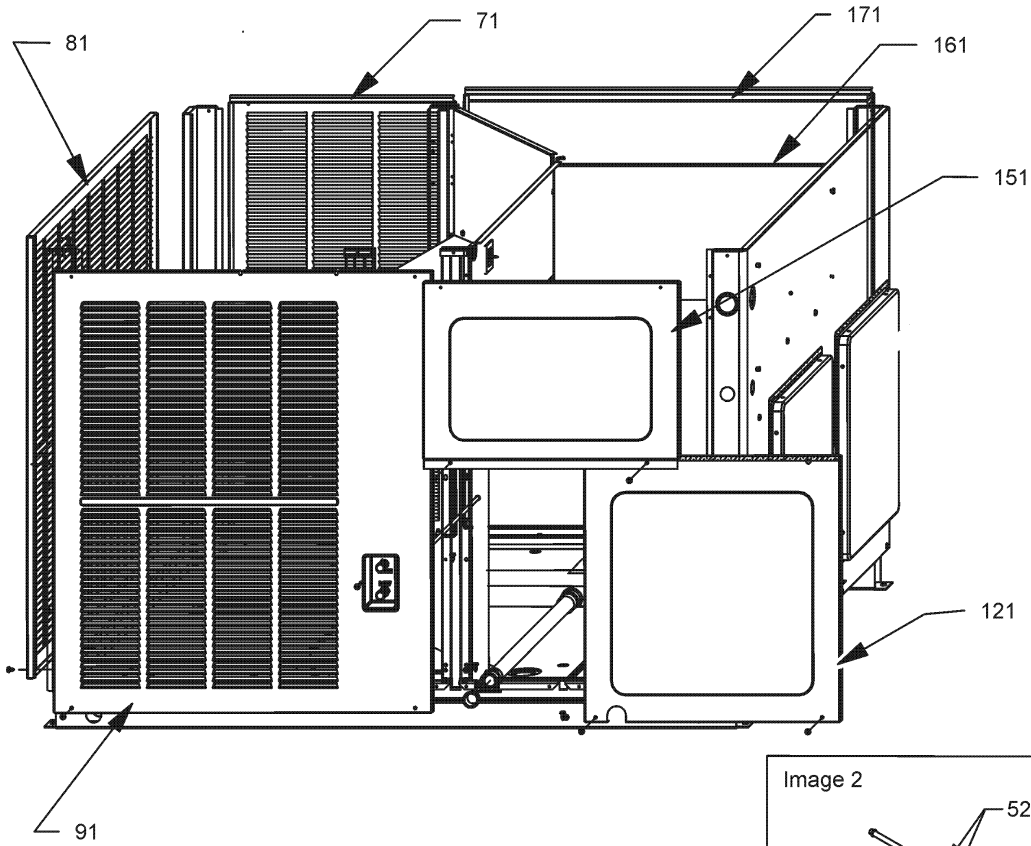
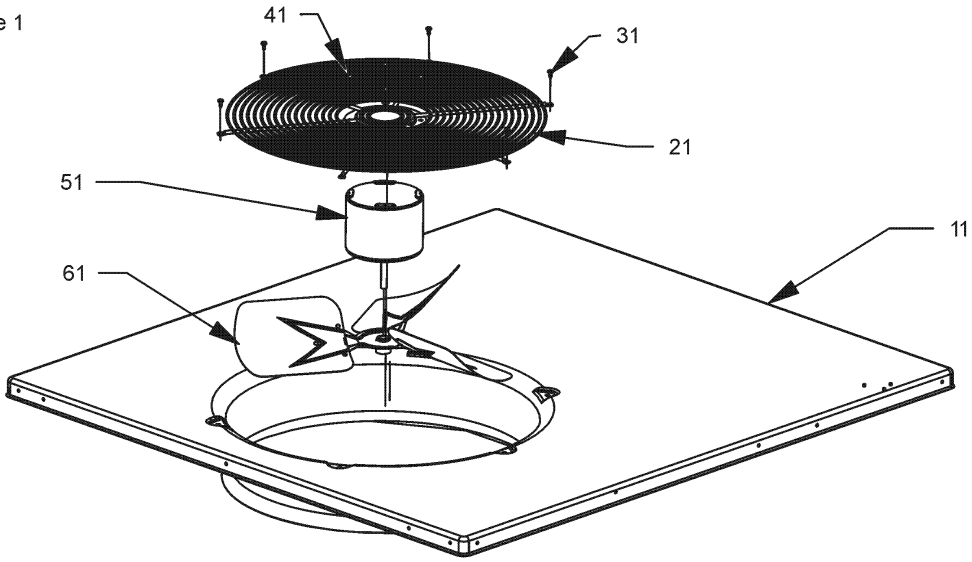
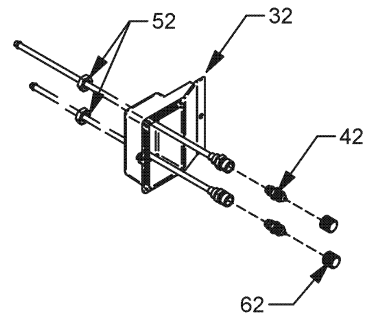


Image 2



Cabinet Assembly

Ref. Part No:	Description:	Ref. Part No:	Description:
Image 1:		Expanded Model Nomenclature	
11	0121G00156PDG PNL, TOP, PNT	M1	GPC1424M41AA
21	0152G00000 FAN GRILLE, RAISED	M2	GPC1424M41AB
31	M0221817 SMALL SCREW (QTY 6)	M3	GPC1430M41AA
41	0163M00006P ACORN NUT 5/16 HEX BLACK (QTY 4)	M4	GPC1430M41AB
51	0131M00430 COND MOTOR 1/3 HP, 1 SP, 6 PL (M11, M12)	M5	GPC1436M41AA
51	0131M00061 COND MOTOR 1/4 HP, 1 SP, 8 PL (M3, M4)	M6	GPC1436M41AB
51	0131M00429 COND MOTOR 1/4 HP, 1 SP, 6 PL (M5, M6, M7, M8, M9, M10)	M7	GPC1442M41AA
51	0131M00009P COND MOTOR 1/6 HP, 1 SP, 8 PL (M1, M2)	M8	GPC1442M41AB
61	0150M00008 FAN BLADE 22" TNT2203-25 (M1, M2, M3, M4)	M9	GPC1448M41AA
61	0150G00002 FAN BLADE SWEPT-WING (M5, M6, M7, M8, M9, M10, M11, M12)	M10	GPC1448M41AB
71	20467701PDG LOUVERED PANEL, COND SIDE 32" (M1, M2, M3, M4, M7, M8)	M11	GPC1460M41AA
71	20467702PDG LOUVERED PANEL, COND SIDE 40" (M9, M10, M11, M12)	M12	GPC1460M41AB
71	0121G00465DG PANEL, COND SIDE 32" (M5, M6)		
81	20464401PDG LOUVERED PANEL, COND SIDE 32" (M1, M2, M3, M4, M5, M6, M7, M8)		
81	20464402PDG LOUVERED PANEL, COND SIDE 40" (M9, M10, M11, M12)		
91	0121G00661DG COMPRESSOR PANEL (M12)		
91	0121G00662DG COMPRESSOR PANEL (M2, M4, M6, M8)		
91	0121G00663DG COMPRESSOR PANEL (M10)		
91	0121G00147PDG LOUVERED PANEL 4 BANK 40", COMP SIDE (M11)		
91	0121G00223DG SOLID PANEL COMPRESSOR 32.5" (M1, M3, M5, M7)		
91	0121G00224DG SOLID PANEL COMPRESSOR 40" (M9)		
121	0121G00165PDG PNL, BLO, CNVRT, 32.5", PNT (M1, M2, M3, M4, M5, M6, M7, M8)		
121	0121G00168PDG PNL, BLO, CNVRT, 40", PNT (M9, M10, M11, M12)		
151	0121G00213DG CONTROL BOX PANEL		
161	0121G00591 BLK-OFF, EVAP, TOP, CNVRT (M9, M10, M11, M12)		
161	0121G00592 BLK-OFF, EVAP, TOP, CNVRT (M1, M2, M3, M4, M5, M6, M7, M8)		
171	20464801PDG BLOWER DOOR 32" (M1, M2, M3, M4, M5, M6, M7, M8)		
171	20464806PDG BLOWER DOOR 40" (M9, M10, M11, M12)		
NS	0164G00005 GROMMET-HORSESHOE 1.675 (M2, M4, M6, M8, M10, M12)		
NS	17788000083F PVC CONDUIT 8.25"		
Image 2:			
32	0161G00008 ACCESS-FITTING BOX (M1, M3, M5, M7, M9, M11)		
42	B1373315 ACCESS FITTING (QTY 2)		
52	0163G00000P FASTEST FITTING NUT (M1, M3, M5, M7, M9, M11)		
62	0163M00175 CAP WITH O-RING (QTY 2)		

Partition Panel/Compressor

Image 1

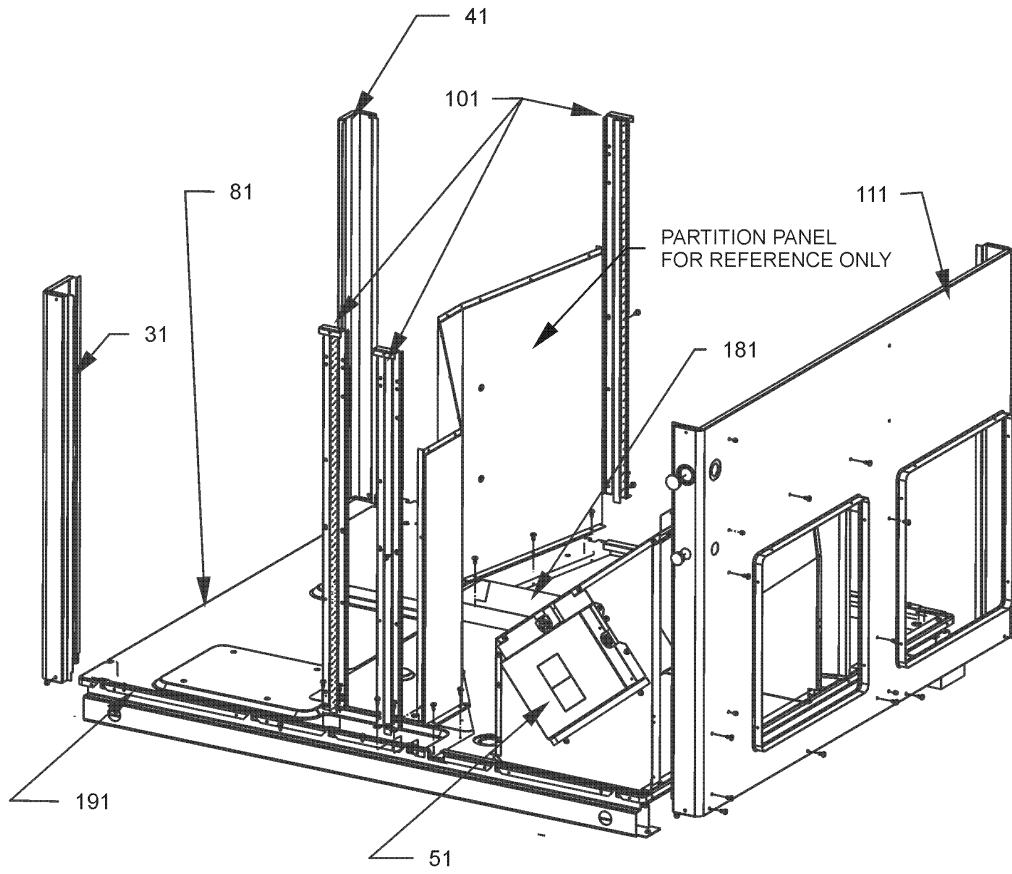
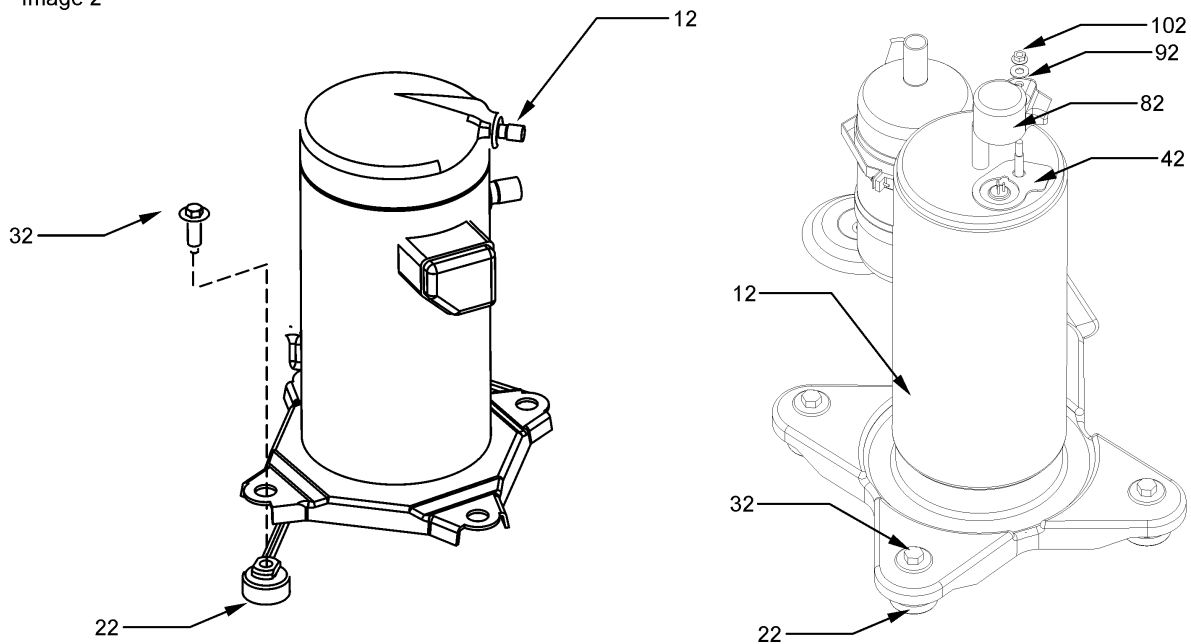


Image 2



Partition Panel/Compressor

Ref. Part No: No:	Description:	Ref. Part No: No:	Description:
-------------------	--------------	-------------------	--------------

Image 1:

31	20464201PDG	CORNER POST-COMP END 32" (M1, M2, M3, M4)
31	20464202PDG	CORNER POST-COMP END 40" (M9, M10, M11, M12)
31	0121G00453DG	CORNER-POST COMP END (M5, M6, M7, M8)
41	20464302PDG	CORNER POST-HAIRPIN END 40" (M9, M10, M11, M12)
41	0121G00454DG	CORNER-POST HPIN END (M1, M2, M3, M4, M5, M6, M7, M8)
51	0121G00528	COVER, HK (QTY 2)
81	0121G00444	BASEPAN, PACKAGE
101	0121G00460	POST-SUPPORT, SIDE (M1, M2, M3, M4, M5, M6, M7, M8)
101	0121G00462	POST-SUPPORT, SIDE (M9, M10, M11, M12)
111	0121G00671DG	PNL, DUCT, CNVRT, 32.5" PNT (M1, M2, M3, M4, M5, M6, M7, M8)
111	0121G00672DG	PNL, DUCT, CNVRT, 40" PNT (M9, M10, M11, M12)
181	0161G00003	PLASTIC DRIP PAN
191	0121G00290	BASE PAN RAIL (QTY 2)
NS	0121G00235	FAN BAFFLE

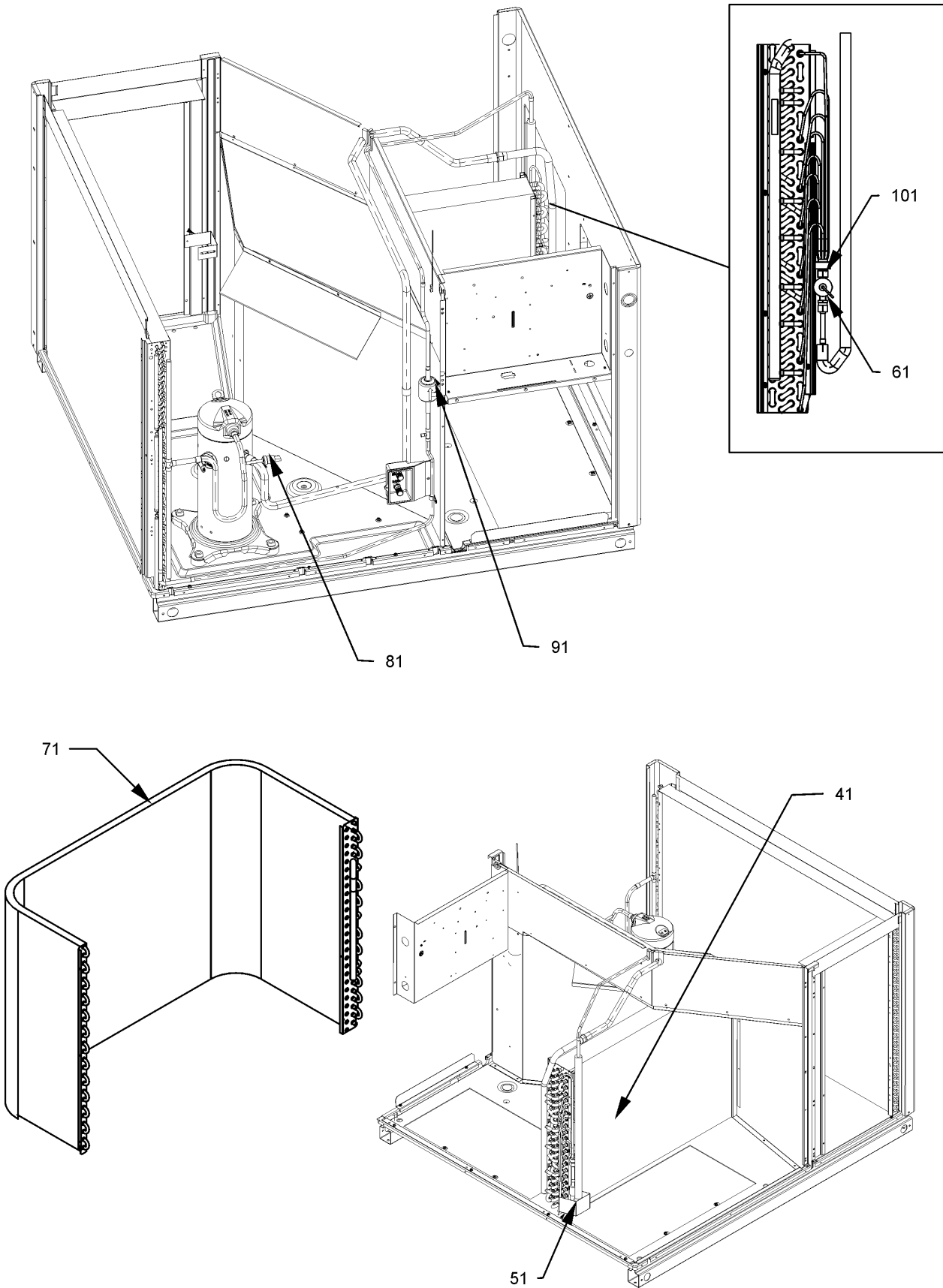
Image 2:

12	50N492ZV-ZAKM	2.0TONRECHI COMPR.4 LEGS (M1, M2)
12	ZP49K5EPFV130	COMP,49400,208/230/60/1 (M11, M12)
12	ZP25K5EPFV130	COMPRESSOR 25200, 208/230/60/1 (M3, M4)
12	ZP31K5EPFV130	COMPRESSOR 31100, 208/230/60/1 (M5, M6)
12	ZP34K5EPFV130	COMPRESSOR 34500, 208/230/60/1 (M7, M8)
12	ZP39K5EPFV130	COMPRESSOR 39000, 208/230/60/1 (M9, M10)
22	B1339533	COMPRESSOR GROMMET (M3, M4, M5, M6, M7, M8, M9, M10, M11, M12)
22	60140209	GROMMET - RECHI COMPRESSOR (M1, M2)
32	0163M00186	TF SHOULDER SCREW (M1, M2)
32	M0221641	TF SHOULDER SCREW (M3, M4, M5, M6, M7, M8, M9, M10, M11, M12)
42	60100107	TERMINAL COVER GASKET (M1, M2)
82	60100317	TERMINAL COVER (M1, M2)
92	60100201	WASHER - RECHI COMPRESSOR (M1, M2)
102	60100401	TERMINAL NUT - RECHI COMP (M1, M2)
NS	0159G00002	COMPRESSOR SCROLL HARNESS (M3, M4, M5, M6, M7, M8, M9, M10, M11, M12)

Expanded Model Nomenclature

M1 - GPC1424M41AA
M2 - GPC1424M41AB
M3 - GPC1430M41AA
M4 - GPC1430M41AB
M5 - GPC1436M41AA
M6 - GPC1436M41AB
M7 - GPC1442M41AA
M8 - GPC1442M41AB
M9 - GPC1448M41AA
M10 - GPC1448M41AB
M11 - GPC1460M41AA
M12 - GPC1460M41AB

Coil/Evap Assembly



Coil/Evap Assembly

Ref. Part No: No:	Description:	Ref. Part No: No:	Description:
Image 1:			
41	0202G00542		EVAP COIL ASSY (M11, M12)
41	0202G00573		EVAP COIL ASSY (M5, M6)
41	0202G00574		EVAP COIL ASSY (M9, M10)
41	0202G00576		EVAP COIL ASSY (M1, M2)
41	0202G00705		EVAP COIL ASSY (M3, M4)
41	0202G00706		EVAP COIL ASSY (M7, M8)
51	0121G00509		DRIP SHIELD
61	0151M00050		VALVE, NXT (M11, M12)
71	0201G00139		COND COIL TUBING ASSY (M9, M10)
71	0201G00142		COND COIL TUBING ASSY (M1, M2, M3, M4)
71	0201G00249		COND COIL TUBING ASSY (M5, M6)
71	0201G00262		COND COIL TUBING ASSY (M7, M8)
71	0201G00340		COND COIL TUBING ASSY (M11, M12)
81	0130M00074		CUT-OUT SWITCH, HIGH PRESSURE
91	B1219212		SINGLE-FLOW FILTER DRIER, STEEL (M1, M2, M3, M4, M5, M6)
91	B1219225		SINGLE-FLOW FILTER DRIER, STEEL (M7, M8, M9, M10, M11, M12)
101	0162M00315		FLOWRATOR, AL (M1, M2)
101	0162M00317		FLOWRATOR, AL (M5, M6)
101	0162M00319		FLOWRATOR, AL (M7, M8)
101	0162M00320		FLOWRATOR, AL (M9, M10)
101	0162M00325		FLOWRATOR, AL (M11, M12)
101	0162M00330		FLOWRATOR, AL (M3, M4)

Expanded Model Nomenclature

M1 - GPC1424M41AA
M2 - GPC1424M41AB
M3 - GPC1430M41AA
M4 - GPC1430M41AB
M5 - GPC1436M41AA
M6 - GPC1436M41AB
M7 - GPC1442M41AA
M8 - GPC1442M41AB
M9 - GPC1448M41AA
M10 - GPC1448M41AB
M11 - GPC1460M41AA
M12 - GPC1460M41AB

Control Panel/Blower Assembly

Image 1

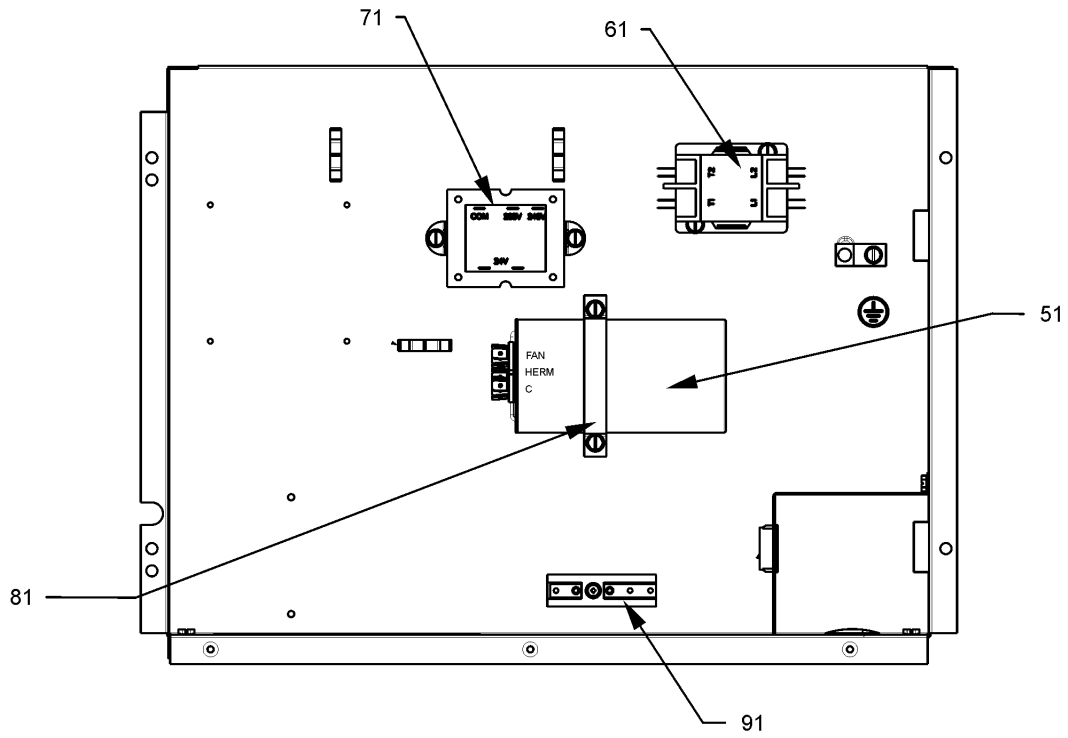
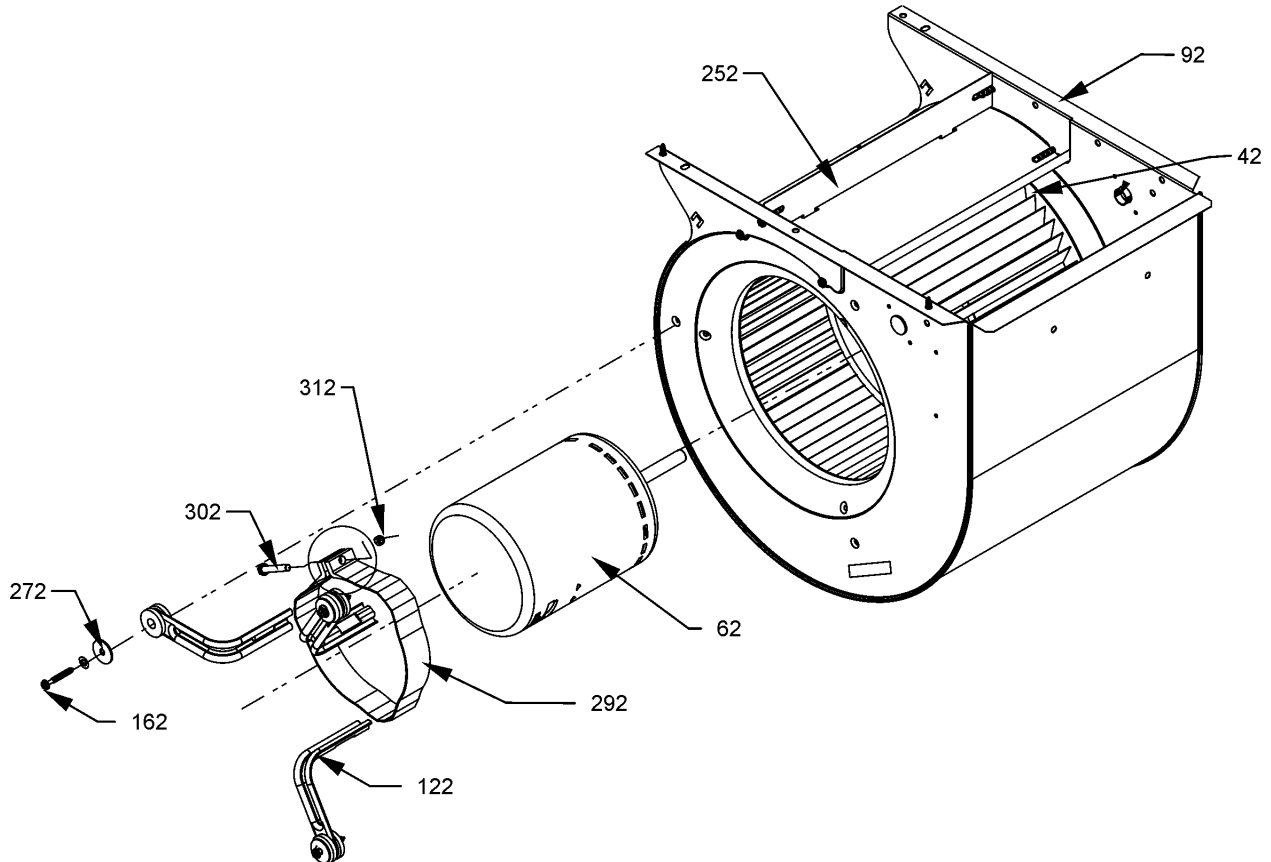


Image 2



Control Panel/Blower Assembly

Ref. Part No: No:	Description:	Ref. Part No: No:	Description:
-------------------	--------------	-------------------	--------------

Image 1:

51	CAP100700440CT	CAP, 10/70 MFD/ 440V/ DUAL RD (M11, M12)
51	CAP050400440CT	CAPACITOR 5/40/440V/DUAL RD (M3, M4)
51	CAP050450440CT	CAPACITOR 5/45/440V/DUAL RD (M1, M2, M5, M6, M7, M8, M9, M10)
61	CONT1P025024V	CONTACTOR 25 AMP, 1P, 24V (M1, M2, M3, M4, M5, M6)
61	CONT1P030024V	CONTACTOR 30 AMP, 1P, 24V (M7, M8)
61	CONT2P040024V	CONTACTOR 40 AMP, 2P, 24V (M9, M10, M11, M12)
71	0130M00138	TRANSFORMER 208/230, 24V
81	20520901	CAPACITOR STRAP
91	802007090	TERM BOARD
NS	0259G00148	12-PIN FEMALE HARNESS
NS	0259G00181	WIRE HARNESS ASSY

Image 2:

42	D6723303	BLOWER WHEEL
62	0131G00047	PROGRAMMED MOTOR (M1, M2)
62	0131G00048	PROGRAMMED MOTOR (M3, M4)
62	0131G00049	PROGRAMMED MOTOR (M5, M6)
62	0131G00050	PROGRAMMED MOTOR (M7, M8)
62	0131G00051	PROGRAMMED MOTOR (M9, M10)
62	0131G00052	PROGRAMMED MOTOR (M11, M12)
92	0271G00024	BLOWER HOUSING ASSY 10 X 9
122	B1376857	MOTOR MOUNT ARM (QTY 3)
162	M0250565	TC SCREW 1.25" (QTY 3)
252	764742	BLOWER BLOCK-OFF
272	B1392918	WASHER, FLAT 1/4 ID X 1 OD (QTY 3)
292	0121M00038	MOTOR MOUNT BAND
302	B1393323	MACHINE SCREW HWH 1/4-20 X 1-1/2 BZ
312	B1393800	LOCKNUT, NYLON, INSERT 1/4, 20
NS	0259G00155	BLOWER HARNESS

Expanded Model Nomenclature

- | |
|--------------------|
| M1 - GPC1424M41AA |
| M2 - GPC1424M41AB |
| M3 - GPC1430M41AA |
| M4 - GPC1430M41AB |
| M5 - GPC1436M41AA |
| M6 - GPC1436M41AB |
| M7 - GPC1442M41AA |
| M8 - GPC1442M41AB |
| M9 - GPC1448M41AA |
| M10 - GPC1448M41AB |
| M11 - GPC1460M41AA |
| M12 - GPC1460M41AB |