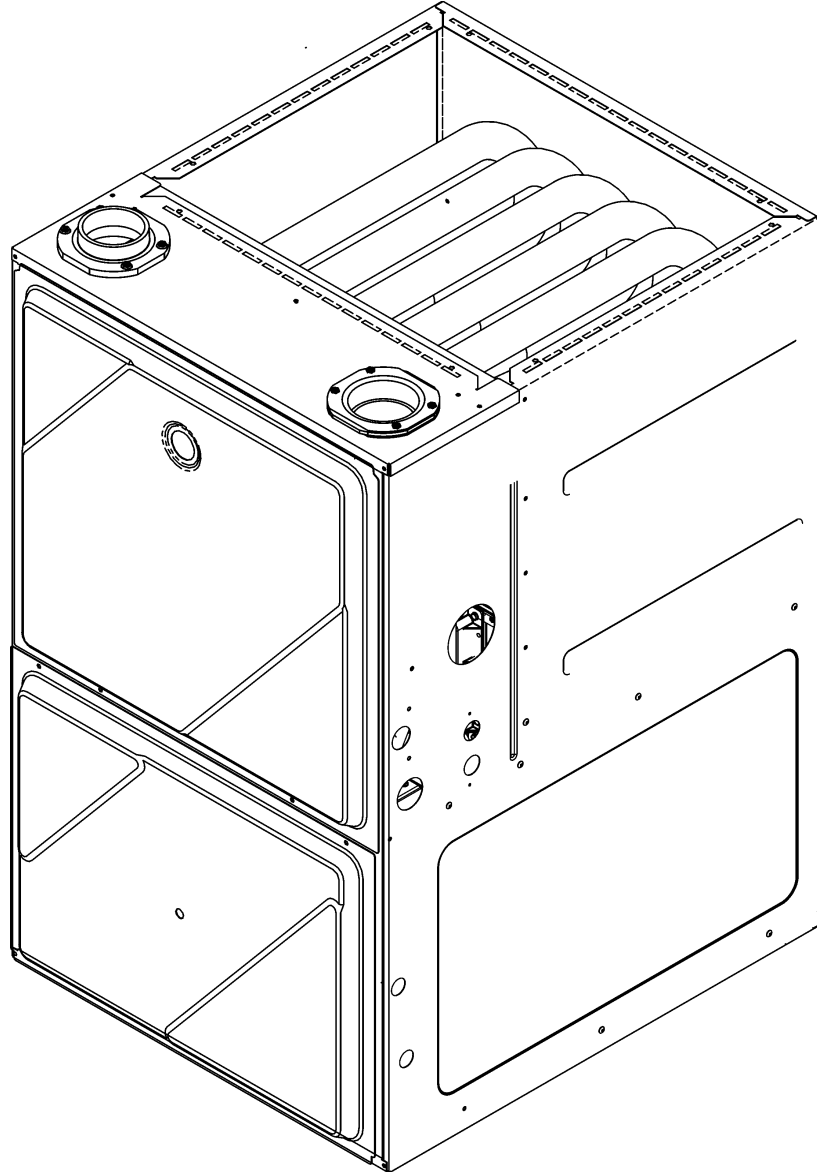


GMSS 96% PSC Up Flow Furnace

GMSS960402BNAA
GMSS960603BNAA
GMSS960803BNAA
GMSS960804CNAA
GMSS960805CNAA
GMSS961005CNAA
GMSS961205DNAA



This manual is to be used by qualified technicians only.

This manual replaces RP-G2005.

© 2014 Goodman Company, L.P. ♦ 5151 San Felipe St., Suite 500 ♦ Houston, TX 77056

Important Information

Index

Functional Parts List	3
Illustration and Parts	4 - 11

Views shown are for parts illustrations only, not servicing procedures

Rev A: Updated pressure switches, front covers, drain bag and blower information.

Text Codes:

AR - As Required

NA - Not Available

NS - Not Shown

00000000 - See Note

QTY - Quantity Example (QTY 3) (If Quantity not shown, Quantity = 1)

M - Model Example (M1) (If M Code not shown, then part is used on all Models)

Expanded Model Nomenclature:

Example M1 - Model#1 M2 - Model#2 M3 - Model#3

Goodman Company, L.P. is not responsible for personal injury or property damage resulting from improper service. Review all service information before beginning repairs.

Warranty service must be performed by an authorized technician, using authorized factory parts. If service is required after the warranty expires, Goodman Company, L.P. also recommends contacting an authorized technician and using authorized factory parts.

Goodman Company, L.P. reserves the right to discontinue, or change at any time, specifications or designs without notice or without incurring obligations.

For assistance within the U.S.A. contact:

Consumer Affairs Department

Goodman Company, L.P.

7401 Security Way

Houston, Texas 77040

877-254-4729-Telephone

713-863-2382-Facsimile

For assistance outside the U.S.A. contact:

International Division

Goodman Company, L.P.

7401 Security Way

Houston, Texas 77040

713-861-2500-Telephone

713-863-2382-Facsimile

Functional Parts

Part

No: Description:

0163F00017	BECKETT BURNER (QTY A/R)
0271F00182	BLOWER HSG ASSY (M4)
0271F00181	BLOWER HSG ASSY (M1, M2, M3)
0271F00163	BLOWER SHELL & WHEEL ASSY (M7)
0271F00161	BLOWER SHELL & WHEEL ASSY (M5, M6)
CAP125000370LA	CAP, 12.5 MFD/370V/OVAL (M1, M2)
CAP200000370LA	CAP, 20 MFD/370V/OVAL (M3, M4)
CAP150000370LA	CAPACITOR 15/370V (M5, M6, M7)
0130F00010	FLAME SENSOR
0151M00037	GAS VALVE
0257F00374	HEAT EXCHANGER ASSY (M2)
0257F00376	HEAT EXCHANGER ASSY (M7)
0257F00379	HEAT EXCHANGER ASSY (M3)
0257F00280	HEAT EXCHANGER ASSY (M6)
0257F00240	HEAT EXCHANGER ASSY (M4, M5)
0257F00366	HEAT EXCHANGER ASSY (M1)
10690402	INTERLOCK SWITCH
10123539	MANUAL RESET LIMIT - ROS (M2, M4)
10123538	MANUAL RESET LIMIT - ROS (M1, M3, M6)
0130F00123	MANUAL RESET LIMIT - ROS (M5)
10123528	MANUAL RESET LIMIT - ROS (M7)
0131F00038	MOTOR, 1/2 HP (M4)
0131F00030	MOTOR, 1/2HP (M3)
0131F00027	MOTOR, 1/3HP, 4SP, 6PL (M1, M2)
0131F00031	MOTOR, 3/4 HP (M5, M6, M7)
PCBBF135	PCB, IGNITION, HSI, INTEG
0130F00476	PRESSURE SWITCH (-.1 / -.85) (M7)
0130F00484	PRESSURE SWITCH (-.08 / -1.49) (M1)
0130F00477	PRESSURE SWITCH (-.1 / -1.27) (M3, M4, M5, M6)
0130F00478	PRESSURE SWITCH (-.1 / -1.49) (M2)
20162903	PRIMARY LIMIT - BLUE (M2, M4, M5)
0130M00063	PRIMARY LIMIT - GOLD 140° (M3, M7)
0130F00038	PRIMARY LIMIT - LT BLUE 120° (QTY 2)
20162906	PRIMARY LIMIT - WHITE (M1)
20162904	PRIMARY LIMIT-TEMPERATURE CONTROL (M6)
0130F00008	SINI IGNITOR
0130M00140	TRANSFORMER, 120V TO 24V,40VA
0150M00042	WHEEL, BLOWER (10 X 10) (M4)
0150M00043	WHEEL, BLOWER (10 X 8) (M1, M2, M3)

SPECIAL PARTS

0161F00000P GOODMAN NAMEPLATE

Expanded Model Nomenclature

M1 - GMSS960402BNAA
M2 - GMSS960603BNAA
M3 - GMSS960803BNAA
M4 - GMSS960804CNAA
M5 - GMSS960805CNAA
M6 - GMSS961005CNAA
M7 - GMSS961205DNAA

Cabinet

Image 1

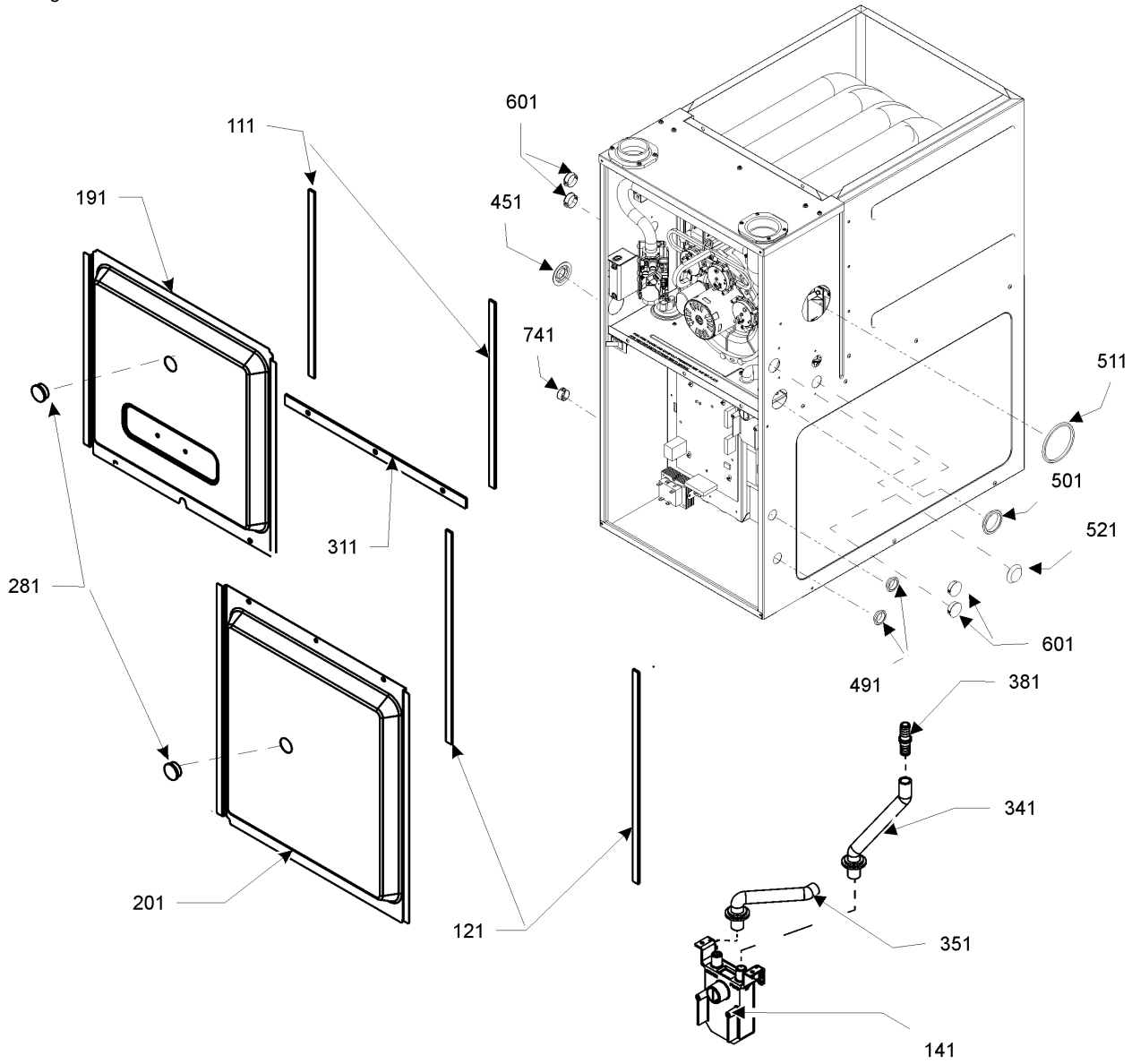
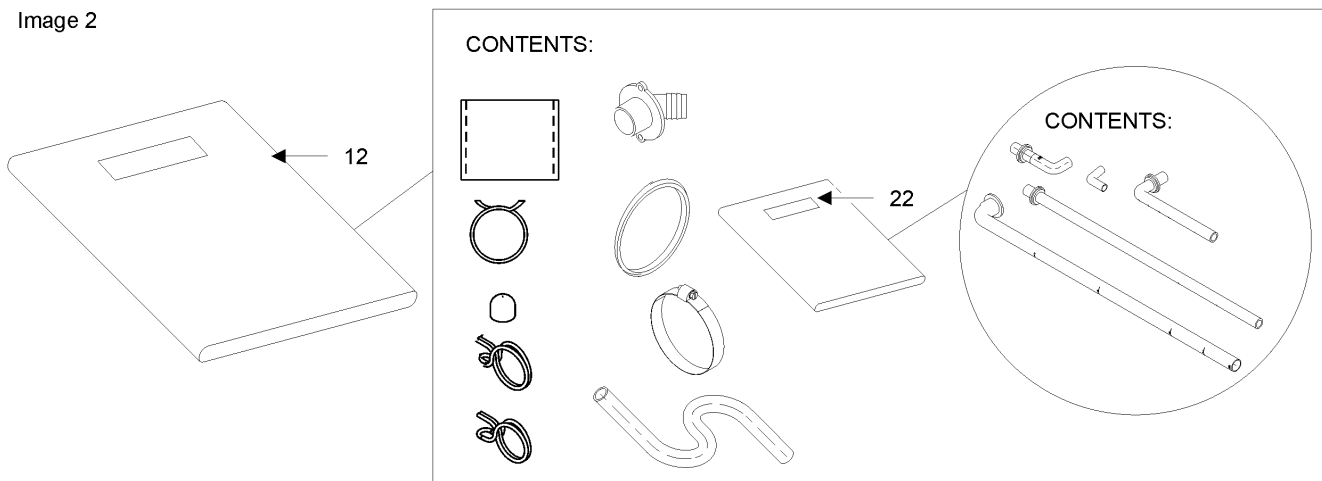


Image 2



Cabinet

Ref. Part No: No:	Description:	Ref. Part No: No:	Description:
-------------------	--------------	-------------------	--------------

Image 1:

111	0154F00024	GASKET (QTY 2)
121	0154F00025	GASKET (QTY 2)
141	0161F00046	DRAIN TRAP
191	0121F00292DG	DOOR ACCESS 21" PNT (M4, M5, M6)
191	0121F00291DG	DOOR, ACCESS 17.5 PNT (M1, M2, M3)
191	0121F00293DG	DOOR, ACCESS 24.5" PNT (M7)
201	0121F00288DG	DOOR, BLOWER 17.5" PNT (M1, M2, M3)
201	0121F00289DG	DOOR, BLOWER 21" PNT (M4, M5, M6)
201	0121F00290DG	DOOR, BLOWER 24.5" PNT (M7)
281	B1392139	VIEW PORT BUSHING-BLOWER DOOR (QTY 2)
311	0154F00020	DECK GASKET (M1, M2, M3)
311	0154F00021	DECK GASKET (M4, M5, M6)
311	0154F00022	DECK GASKET (M7)
341	0164F00017	ELBOW/TRAP HOSE
351	0164F00006	COVER/TRAP HOSE
381	0161F00047	BARDED HOSE COUPLING
451	M0501301	PIPE GROMMET
491	M0570808	BUTTON PLUG (QTY 3)
501	M0570806	BUTTON PLUG
511	M0570807	BUTTON PLUG
521	0161M00027	HOLE PLUG (M1, M2, M3, M6)
601	B1392021	PLASTIC PLUG, 1" (2713-BLK) (QTY 4)
741	B1392104	UNIVERSAL BUSHING UB 875
NS	M0310345	BUTTON PLUG (QTY 2)
NS	M0209730	DECORATIVE SCREW (QTY 3)
NS	0161F00000P	GOODMAN NAMEPLATE
NS	0163M00049	HOSE CLAMP (QTY 2)

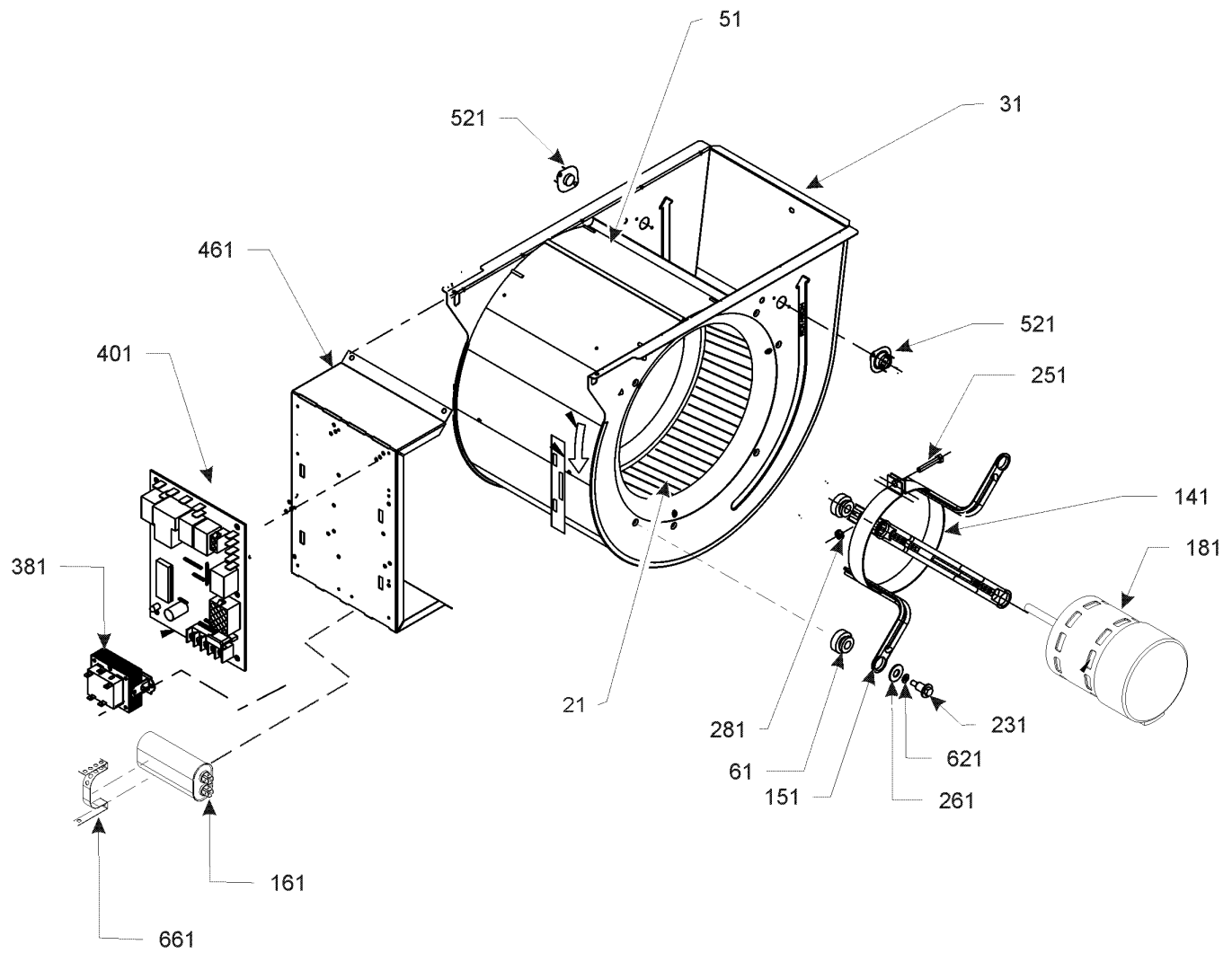
Image 2:

12	0270F03140	DRAIN PART BAG ASSY UF
22	0270F03138	BAG ASSY UF

Expanded Model Nomenclature

- | |
|---------------------|
| M1 - GMSS960402BNAA |
| M2 - GMSS960603BNAA |
| M3 - GMSS960803BNAA |
| M4 - GMSS960804CNAA |
| M5 - GMSS960805CNAA |
| M6 - GMSS961005CNAA |
| M7 - GMSS961205DNAA |

Blower Assembly



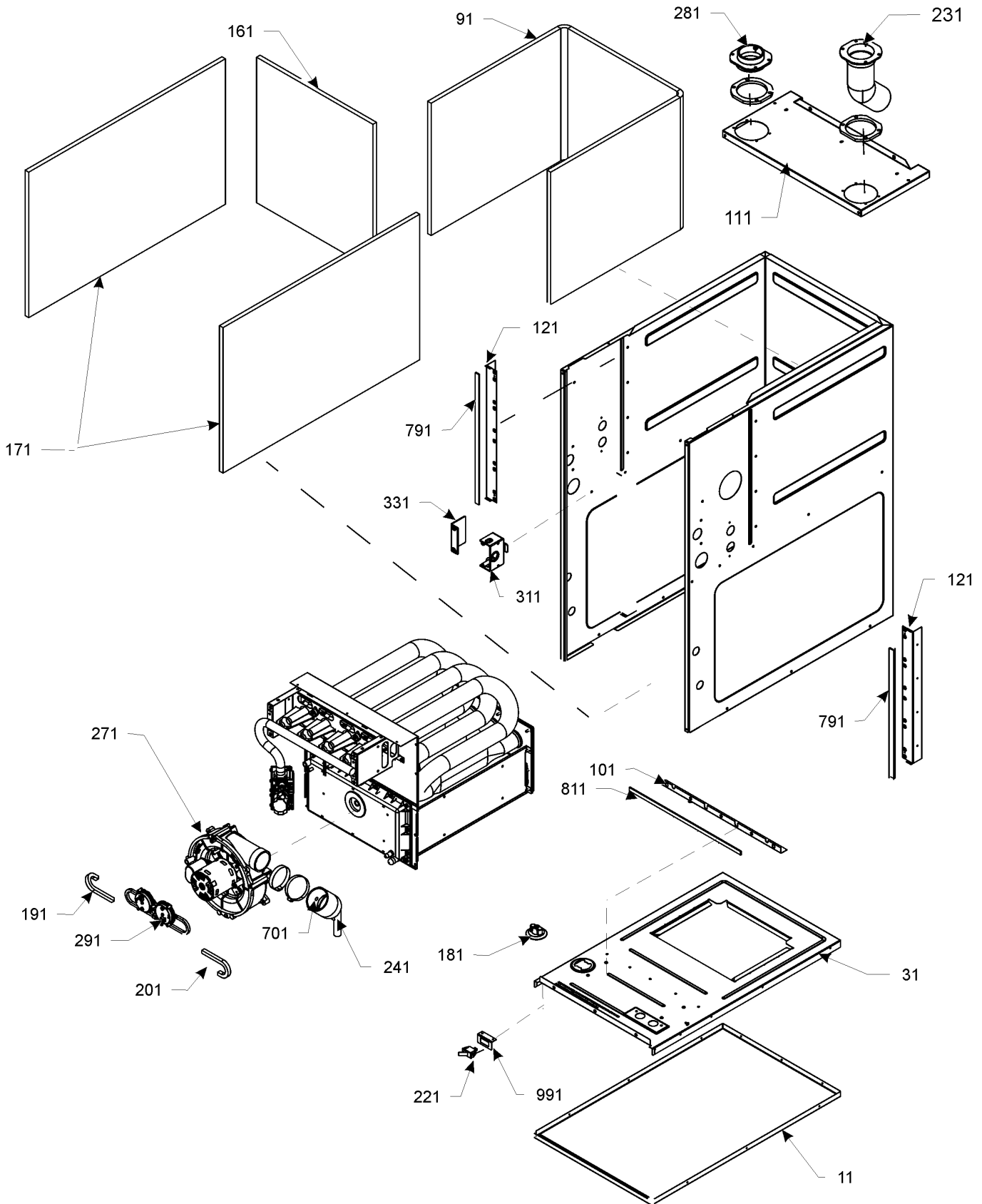
Blower Assembly

Ref. Part No: No:	Description:	Ref. Part No: No:	Description:
<i>Image 1:</i>			
21	0150M00042		WHEEL, BLOWER (10 X 10) (M4)
21	0150M00043		WHEEL, BLOWER (10 X 8) (M1, M2, M3)
31	0271F00181		BLOWER HSG ASSY (M1, M2, M3)
31	0271F00182		BLOWER HSG ASSY (M4)
31	0271F00161		BLOWER SHELL & WHEEL ASSY (M5, M6)
31	0271F00163		BLOWER SHELL & WHEEL ASSY (M7)
51	764741F		BLOWER BLOCK-OFF 10 X 10 (M4)
51	764740		BLWR BLK-OFF,10X8 (M1, M2, M3)
61	A4002702		BLOWER MOTOR GROMMET (M5, M6, M7)
141	10441601		MOTOR MOUNT BAND (M5, M6, M7)
151	10441501		MOTOR MOUNT ARM (M5, M6, M7)
161	CAP125000370LA		CAP, 12.5 MFD/370V/OVAL (M1, M2)
161	CAP200000370LA		CAP, 20 MFD/370V/OVAL (M3, M4)
161	CAP150000370LA		CAPACITOR 15/370V (M5, M6, M7)
181	0131F00038		MOTOR, 1/2 HP (M4)
181	0131F00030		MOTOR, 1/2HP (M3)
181	0131F00027		MOTOR, 1/3HP, 4SP, 6PL (M1, M2)
181	0131F00031		MOTOR, 3/4 HP (M5, M6, M7)
231	M0221461		TC SCREW (M5, M6, M7)
231	M0250558		TC SCREW (M1, M2, M3, M4)
251	M0267144		MACHINE SCREW (M5, M6, M7)
261	M0274008		FLAT WASHER (M5, M6, M7)
281	M0282015		KEPS NUT (M5, M6, M7)
381	0130M00140		TRANSFORMER, 120V TO 24V,40VA
401	PCBBF135		PCB, IGNITION, HSI, INTEG
461	0121F00464		CONTROL MOUNTING PLATE
521	0130F00038		PRIMARY LIMIT - LT BLUE 120° (QTY 2)
621	B1392820		SLIT LOCK WASHER (M5, M6, M7)
661	20520901		CAPACITOR STRAP
NS	B1392021		1" PLASTIC PLUG (QTY 4)
NS	0259F00024		HARNESS - BLOWER

Expanded Model Nomenclature

- | |
|---------------------|
| M1 - GMSS960402BNAA |
| M2 - GMSS960603BNAA |
| M3 - GMSS960803BNAA |
| M4 - GMSS960804CNAA |
| M5 - GMSS960805CNAA |
| M6 - GMSS961005CNAA |
| M7 - GMSS961205DNAA |

Chassis



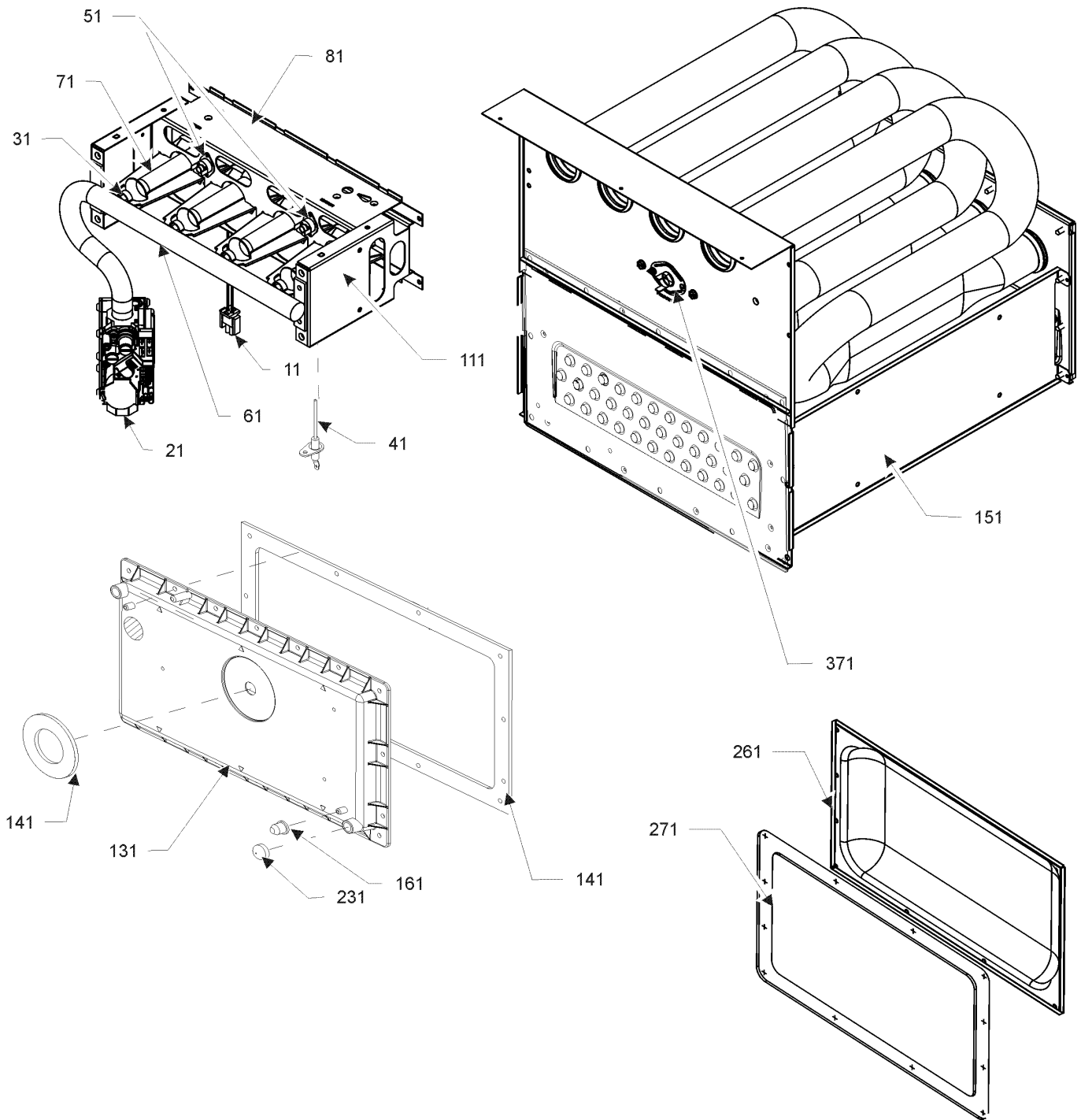
Chassis

Ref. Part No:	Ref. Part No:	Description:	Description:
Image 1:			
11	0121F00386DG	BASEPAN, UPFLOW PNT (M1, M2, M3)	
11	0121F00387DG	BASEPAN, UPFLOW PNT (M4, M5, M6)	
11	0121F00388DG	BASEPAN, UPFLOW PNT (M7)	
31	0121F00285	DECK, BLOWER 17.5 (M1, M2, M3)	
31	0121F00286	DECK, BLOWER 21 (M4, M5, M6)	
31	0121F00287	DECK, BLOWER 24.5 (M7)	
91	0160F00015	INSULATION, HT EXCHANGER 17.5" (M1, M2, M3)	
91	0160F00016	INSULATION, HT EXCHANGER 21" (M4, M5, M6)	
91	0160F00017	INSULATION, HT EXCHANGER 24.5" (M7)	
101	0121F00314	ANGLE, DECK (M1, M2, M3)	
101	0121F00315	ANGLE, DECK (M4, M5, M6)	
101	0121F00316	ANGLE, DECK (M7)	
111	0121F00279DG	PAINTED TOP, FURNACE 17.5 (M1, M2, M3)	
111	0121F00280DG	PAINTED TOP, FURNACE 21 (M4, M5, M6)	
111	0121F00281DG	PAINTED TOP, FURNACE 24.5 (M7)	
121	0121F00313	SIDE ANGLE (QTY 2)	
161	0160F00012	INSULATION-BACK 17.5" (M1, M2, M3)	
161	0160F00013	INSULATION-BACK 21" (M4, M5, M6)	
161	0160F00014	INSULATION-BACK 24.5" (M7)	
171	0160F00018	INSULATION, SIDE (QTY 2)	
181	0159F00042	HARNESS-WIRING (M1, M2, M3)	
181	0159F00043	HARNESS-WIRING (M4, M5, M6, M7)	
191	0164M00015	PRESSURE SWITCH HOSE	
201	0164M00008	PRESSURE SWITCH HOSE	
221	10690402	INTERLOCK SWITCH	
231	0164F00002	FLUE PIPE W/BEND	
241	0164F00001	ELBOW-FLUE, UPFLOW	
271	0171M00001	MOTOR-ID, BLOWER	
281	0161F00037	COUPLING	
291	0130F00476	PRESSURE SWITCH (-.1 / -.85) (M7)	
291	0130F00484	PRESSURE SWITCH (-.08 / -1.49) (M1)	
291	0130F00477	PRESSURE SWITCH (-.1 / -1.27) (M3, M4, M5, M6)	
291	0130F00478	PRESSURE SWITCH (-.1 / -1.49) (M2)	
311	0161F00042	JUNCTION BOX	
331	0161F00043	JUNCTION BOX LID	
701	M0326804	TUBE PLUG	
791	0154F00015	GASKET (QTY 2)	
811	0154F00014	GASKET (M1, M2, M3)	
811	0154F00016	GASKET (M4, M5, M6)	
811	20194607	GASKET (M7)	
991	0121F00389	BRACKET, DOOR SWITCH	

Expanded Model Nomenclature

M1 - GMSS960402BNAA
M2 - GMSS960603BNAA
M3 - GMSS960803BNAA
M4 - GMSS960804CNAA
M5 - GMSS960805CNAA
M6 - GMSS961005CNAA
M7 - GMSS961205DNAA

Heat Exchanger / Manifold / Gas Valve



Heat Exchanger / Manifold / Gas Valve

Ref. Part No: No:	Description:	Ref. Part No: No:	Description:
<i>Image 1:</i>		Expanded Model Nomenclature	
11	0130F00008	SINI IGNITOR	M1 - GMSS960402BNAA
21	0151M00037	GAS VALVE	M2 - GMSS960603BNAA
31	0163F00004	ORIFICE (QTY A/R)	M3 - GMSS960803BNAA
41	0130F00010	FLAME SENSOR	M4 - GMSS960804CNAA
51	0130F00123	MANUAL RESET LIMIT - ROS (M5)	M5 - GMSS960805CNAA
51	10123528	MANUAL RESET LIMIT - ROS (M7)	M6 - GMSS961005CNAA
51	10123538	MANUAL RESET LIMIT - ROS (M1, M3, M6)	M7 - GMSS961205DNAA
51	10123539	MANUAL RESET LIMIT - ROS (M2, M4)	
61	0163F00007	MANIFOLD (M1)	
61	0163F00008	MANIFOLD (M2)	
61	0163F00009	MANIFOLD (M4, M5)	
61	0163F00010	MANIFOLD (M6)	
61	0163F00011	MANIFOLD (M7)	
61	0163F00014	MANIFOLD (M3)	
71	0163F00017	BECKETT BURNER (QTY A/R)	
81	0121F00456	BRACKET-BURNER 2 (M1)	
81	0121F00455	BRACKET-BURNER 3 (M2)	
81	0121F00454	BRACKET-BURNER 4 (M3, M4, M5)	
81	0121F00453	BRACKET-BURNER 5 (M6)	
81	0121F00451	BRACKET-BURNER 6 (M7)	
111	0121F00469	ORIFICE BRACKET-BURNER 2 (M1)	
111	0121F00468	ORIFICE BRACKET-BURNER 3 (M2)	
111	0121F00467	ORIFICE BRACKET-BURNER 4 (M3, M4, M5)	
111	0121F00466	ORIFICE BRACKET-BURNER 5 (M6)	
111	0121F00465	ORIFICE BRACKET-BURNER 6 (M7)	
131	0161F00015	COVER, FRONT (M1)	
131	0161F00024	COVER, FRONT (M3)	
131	0161F00026	COVER, FRONT (M6)	
131	0161F00030	COVER, FRONT (M4, M5)	
131	0161F00054	COVER, FRONT (M2)	
131	0161F00066	COVER, FRONT (M7)	
141	0154F00011	FRONT GASKET (M1, M2, M3)	
141	0154F00012	FRONT GASKET (M4, M5, M6)	
141	0154F00013	FRONT GASKET (M7)	
151	0257F00240	HEAT EXCHANGER ASSY (M4, M5)	
151	0257F00280	HEAT EXCHANGER ASSY (M6)	
151	0257F00366	HEAT EXCHANGER ASSY (M1)	
151	0257F00374	HEAT EXCHANGER ASSY (M2)	
151	0257F00376	HEAT EXCHANGER ASSY (M7)	
151	0257F00379	HEAT EXCHANGER ASSY (M3)	
161	M0326804	TUBE PLUG	
231	A1781105	CAP-VINYL .500	
261	0121F00317	REAR COVER (M1, M2, M3)	
261	0121F00318	REAR COVER (M4, M5, M6)	
261	0121F00319	REAR COVER (M7)	
271	0154F00008	REAR COVER GASKET (M1, M2, M3)	
271	0154F00009	REAR COVER GASKET (M4, M5, M6)	
271	0154F00010	REAR COVER GASKET (M7)	
371	20162903	PRIMARY LIMIT - BLUE (M2, M4, M5)	
371	0130M00063	PRIMARY LIMIT - GOLD 140° (M3, M7)	
371	20162906	PRIMARY LIMIT - WHITE (M1)	
371	20162904	PRIMARY LIMIT-TEMPERATURE CONTROL (M6)	
NS	0121F00439	HEAT SHIELD - PRIMARY LIMIT	
NS	0121F00355	SHIELD, COIL (QTY 2)	