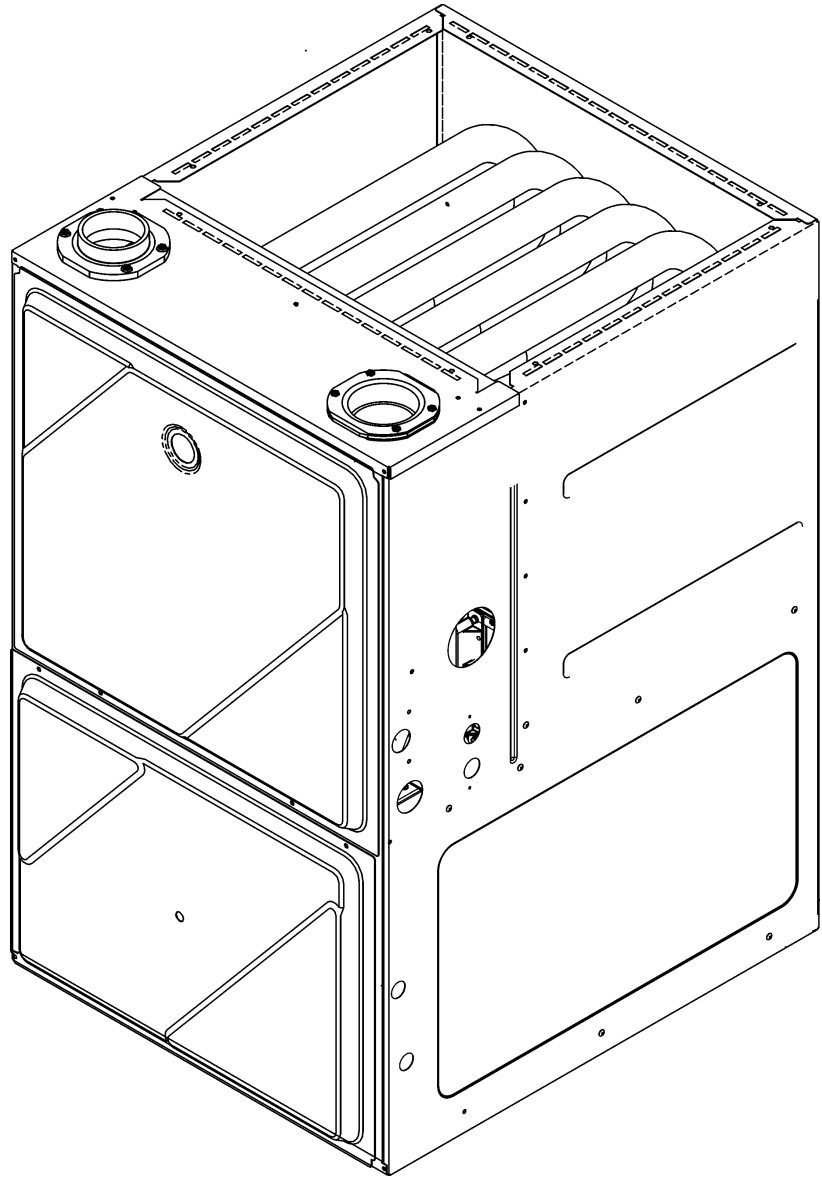


GMEC 96% ECM Up Flow Furnace

GMEC960302BNAA
GMEC960302BNAB
GMEC960402BNAA
GMEC960402BNAB
GMEC960603BNAA
GMEC960603BNAB
GMEC960803BNAA
GMEC960803BNAB
GMEC961004CNAA
GMEC961004CNAB
GMEC961205DNAA
GMEC961205DNAB



This manual is to be used by qualified technicians only.

This manual replaces RP-G2007C.

© 2014-2015 Goodman Manufacturing Company, L.P. ♦ 5151 San Felipe St., Suite 500 ♦ Houston, TX 77056

Important Information

Index

| | |
|------------------------------|--------|
| Functional Parts List | 3 |
| Illustration and Parts | 4 - 11 |

Views shown are for parts illustrations only, not servicing procedures

Text Codes:

AR - As Required

NA - Not Available

NS - Not Shown

00000000 - See Note

QTY - Quantity Example (QTY 3) (If Quantity not shown, Quantity = 1)

M - Model Example (M1) (If M Code not shown, then part is used on all Models)

Expanded Model Nomenclature:

| |
|---|
| Example M1 - Model#1 M2 - Model#2 M3 - Model#3 |
|---|

Goodman Manufacturing Company, L.P. is not responsible for personal injury or property damage resulting from improper service. Review all service information before beginning repairs.

Warranty service must be performed by an authorized technician, using authorized factory parts. If service is required after the warranty expires, Goodman Manufacturing Company, L.P. also recommends contacting an authorized technician and using authorized factory parts.

Goodman Manufacturing Company, L.P. reserves the right to discontinue, or change at any time, specifications or designs without notice or without incurring obligations.

For assistance within the U.S.A. contact:
Consumer Affairs Department
Goodman Manufacturing Company, L.P.
7401 Security Way
Houston, Texas 77040
877-254-4729-Telephone
713-863-2382-Facsimile

For assistance outside the U.S.A. contact:
International Division
Goodman Manufacturing Company, L.P.
7401 Security Way
Houston, Texas 77040
713-861-2500-Telephone
713-863-2382-Facsimile

Functional Parts

Part No: **Description:**

| | |
|------------|---|
| 20162904 | *PRIMARY LIMIT-TEMPERATURE CONTROL (M1, M2, M3, M4, M5, M6, M7) *Refer to SF-054 |
| 0130F00038 | AUX LIMIT - LT BLUE 120° (QTY 2) |
| 0163F00017 | BECKETT BURNER (QTY 2) |
| 764740 | BLOWER BLOCK-OFF 10 X 8 (M1, M2, M3) |
| 0271F00181 | BLOWER HSG ASSY (M1, M2, M3) |
| 0271F00159 | BLOWER SHELL & WHEEL ASSY (M4, M5, M6, M7) |
| 0271F00163 | BLOWER SHELL & WHEEL ASSY (M10, M11) |
| 0271F00161 | BLOWER SHELL & WHEEL ASSY (M8, M9) |
| 0130F00010 | FLAME SENSOR |
| 0151M00027 | GAS VALVE |
| 0257F00387 | HEAT EXCHANGER ASSY (M1) |
| 0257F00379 | HEAT EXCHANGER ASSY (M6, M7) |
| 0257F00384 | HEAT EXCHANGER ASSY (M2, M3) |
| 0257F00390 | HEAT EXCHANGER ASSY. (M10, M11) |
| 0257F00374 | HEAT EXCHANGER ASSY. (M4, M5) |
| 0257F00393 | HEAT EXCHANGER ASSY. (M8, M9) |
| 0130M00243 | INTERLOCK SWITCH |
| 0130F00123 | MANUAL RESET LIMIT (M6, M7) |
| 10123527 | MANUAL RESET R.O.S. LIMIT (M10, M11) |
| 10123533 | MANUAL RESET R.O.S. LIMIT (M1) |
| 10123534 | MANUAL RESET R.O.S. LIMIT (M8, M9) |
| 10123539 | MANUAL RESET R.O.S. LIMIT (M2, M3, M4, M5) |
| 0131F00036 | MOTOR, BLOWER (M8, M9) |
| 0131F00034 | MOTOR, BLOWER (M4, M5) |
| 0131F00037 | MOTOR, BLOWER (M10, M11) |
| 0131F00032 | MOTOR, BLOWER (M1) |
| 0131F00035 | MOTOR, BLOWER (M6, M7) |
| 0131F00033 | MOTOR, BLOWER (M2, M3) |
| PCBBF137 | PCB IGNITION HSI INTEG (M1, M3, M5, M7, M9, M11) |
| PCBBF133 | PCB, IGNITION, HSI, INTEG. (M2, M4, M6, M8, M10) |
| 0130F00481 | PRESSURE SWITCH (-.1 (COL BOX)) (M4, M5, M6, M7, M8, M9, M10, M11) |
| 0130F00486 | PRESSURE SWITCH (-.1 (COL BOX)) (M1, M2, M3) |
| 0130F00472 | PRESSURE SWITCH (-.67 / -1.15) (M1, M8, M9) |
| 0130F00471 | PRESSURE SWITCH (-.72 / -.97) (M2, M3) |
| 0130F00474 | PRESSURE SWITCH (-.72 / -1.47) (M6, M7) |
| 0130F00446 | PRESSURE SWITCH (-.76 / -1.25) (M10, M11) |
| 0130F00473 | PRESSURE SWITCH (-.92 / -1.47) (M4, M5) |
| 0130F00036 | PRIMARY LIMIT - PINK (M10, M11) |
| 20162906 | PRIMARY LIMIT - WHITE (M8, M9) |
| 0130F00008 | SINI IGNITOR |
| 0130M00140 | TRANSFORMER 120V TO 24V, 40VA |
| 0150M00043 | WHEEL, BLOWER (10 X 8) (M1, M2, M3) |

Expanded Model Nomenclature

| |
|----------------------|
| M1 - GMEC960302BNAB |
| M2 - GMEC960402BNAA |
| M3 - GMEC960402BNAB |
| M4 - GMEC960603BNAA |
| M5 - GMEC960603BNAB |
| M6 - GMEC960803BNAA |
| M7 - GMEC960803BNAB |
| M8 - GMEC961004CNAA |
| M9 - GMEC961004CNAB |
| M10 - GMEC961205DNAA |
| M11 - GMEC961205DNAB |

SPECIAL PARTS

| | |
|-------------|-------------------|
| 0161F00000P | GOODMAN NAMEPLATE |
|-------------|-------------------|

Cabinet

Image 1

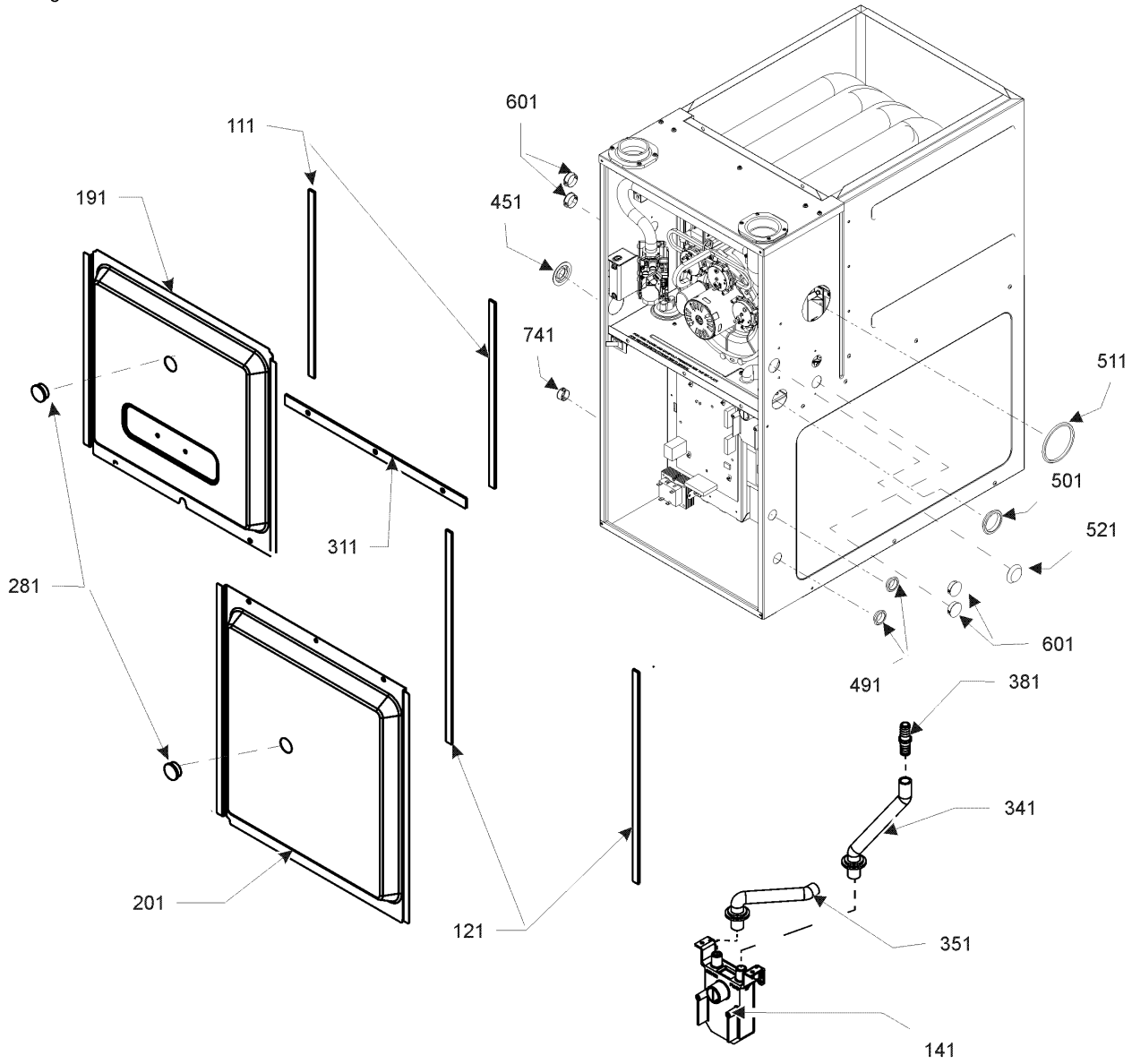
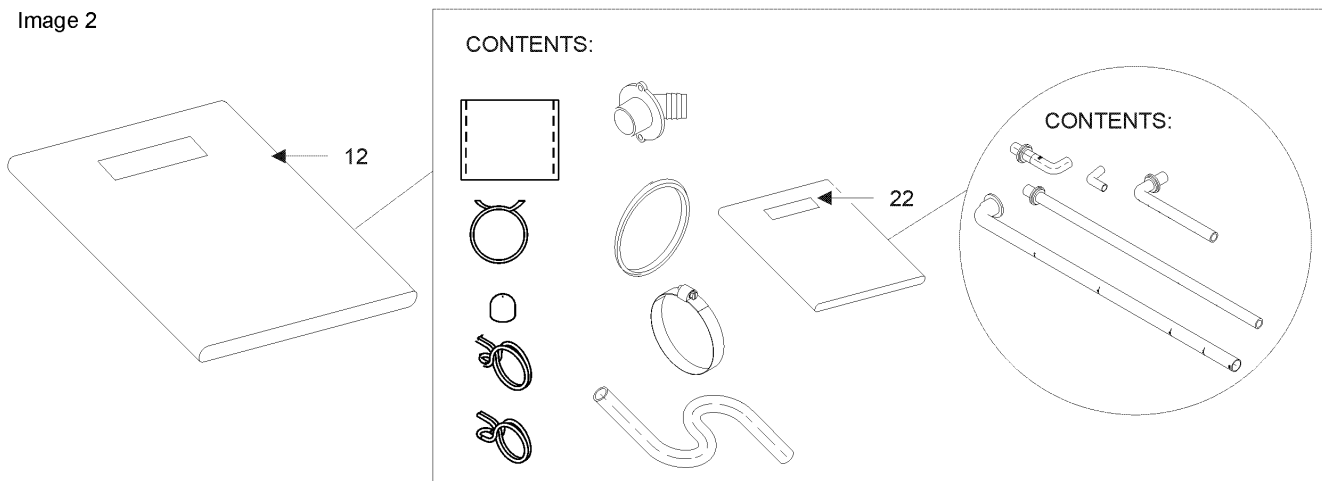


Image 2



Cabinet

| Ref. Part No: No: | Description: | Ref. Part No: No: | Description: |
|-------------------|--------------|-------------------|--------------|
|-------------------|--------------|-------------------|--------------|

Image 1:

| | | |
|-----|--------------|---|
| 111 | 0154F00024 | GASKET (QTY 2) |
| 121 | 0154F00025 | GASKET (QTY 2) |
| 141 | 0161F00046 | DRAIN TRAP |
| 191 | 0121F00292DG | DOOR ACCESS 21" PNT (M8, M9) |
| 191 | 0121F00291DG | DOOR, ACCESS 17.5" PNT (M1, M2, M3, M4, M5, M6, M7) |
| 191 | 0121F00293DG | DOOR, ACCESS 24.5" PNT (M10, M11) |
| 201 | 0121F00288DG | DOOR, BLOWER 17.5" PNT (M1, M2, M3, M4, M5, M6, M7) |
| 201 | 0121F00289DG | DOOR, BLOWER 21" PNT (M8, M9) |
| 201 | 0121F00290DG | DOOR, BLOWER 24.5" PNT (M10, M11) |
| 281 | B1392139 | VIEW PORT BUSHING-BLOWER DOOR (QTY 2) |
| 311 | 0154F00020 | DECK GASKET (M1, M2, M3, M4, M5, M6, M7) |
| 311 | 0154F00021 | DECK GASKET (M8, M9) |
| 311 | 0154F00022 | DECK GASKET (M10, M11) |
| 341 | 0164F00017 | ELBOW/TRAP HOSE |
| 351 | 0164F00006 | COVER/TRAP HOSE |
| 381 | 0161F00047 | BARDED HOSE COUPLING |
| 451 | M0501301 | PIPE GROMMET |
| 491 | M0570808 | BUTTON PLUG (QTY 3) |
| 501 | M0570806 | BUTTON PLUG |
| 511 | M0570807 | BUTTON PLUG |
| 521 | 0161M00027 | HOLE PLUG |
| 601 | B1392021 | PLASTIC PLUG, 1" (2713-BLK) (QTY 4) |
| 741 | B1392104 | UNIVERSAL BUSHING UB 875 |
| NS | M0310345 | BUTTON PLUG (QTY 2) |
| NS | M0209730 | DECORATIVE SCREW (QTY 3) |
| NS | 0161F00000P | GOODMAN NAMEPLATE |
| NS | 0163M00049 | HOSE CLAMP (QTY 2) |

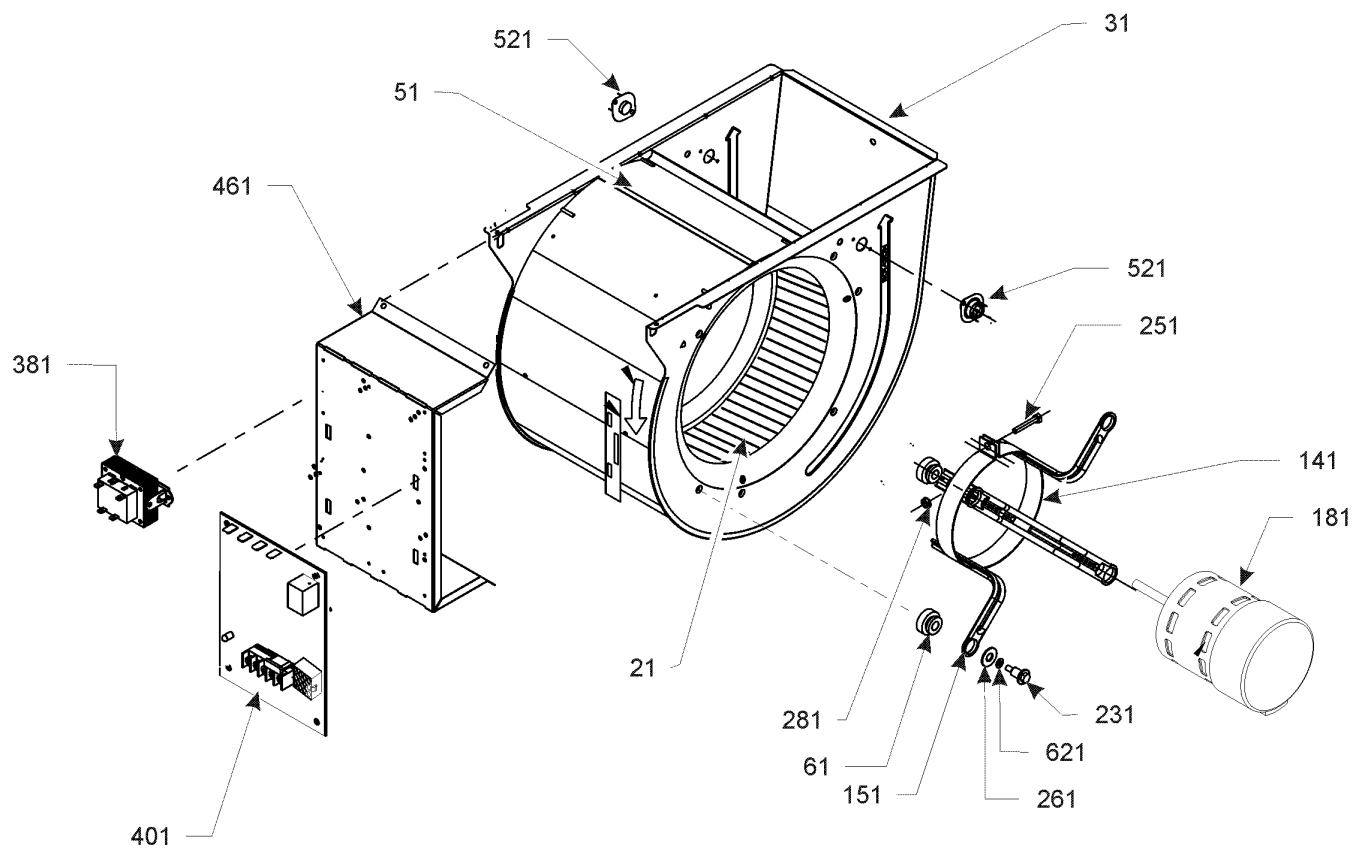
Image 2:

| | | |
|----|------------|------------------------|
| 12 | 0270F03140 | DRAIN PART BAG ASSY UF |
| 22 | 0270F03138 | BAG ASSY UF |

Expanded Model Nomenclature

- | |
|----------------------|
| M1 - GMEC960302BNAB |
| M2 - GMEC960402BNAA |
| M3 - GMEC960402BNAB |
| M4 - GMEC960603BNAA |
| M5 - GMEC960603BNAB |
| M6 - GMEC960803BNAA |
| M7 - GMEC960803BNAB |
| M8 - GMEC961004CNAA |
| M9 - GMEC961004CNAB |
| M10 - GMEC961205DNAA |
| M11 - GMEC961205DNAB |

Blower Assembly



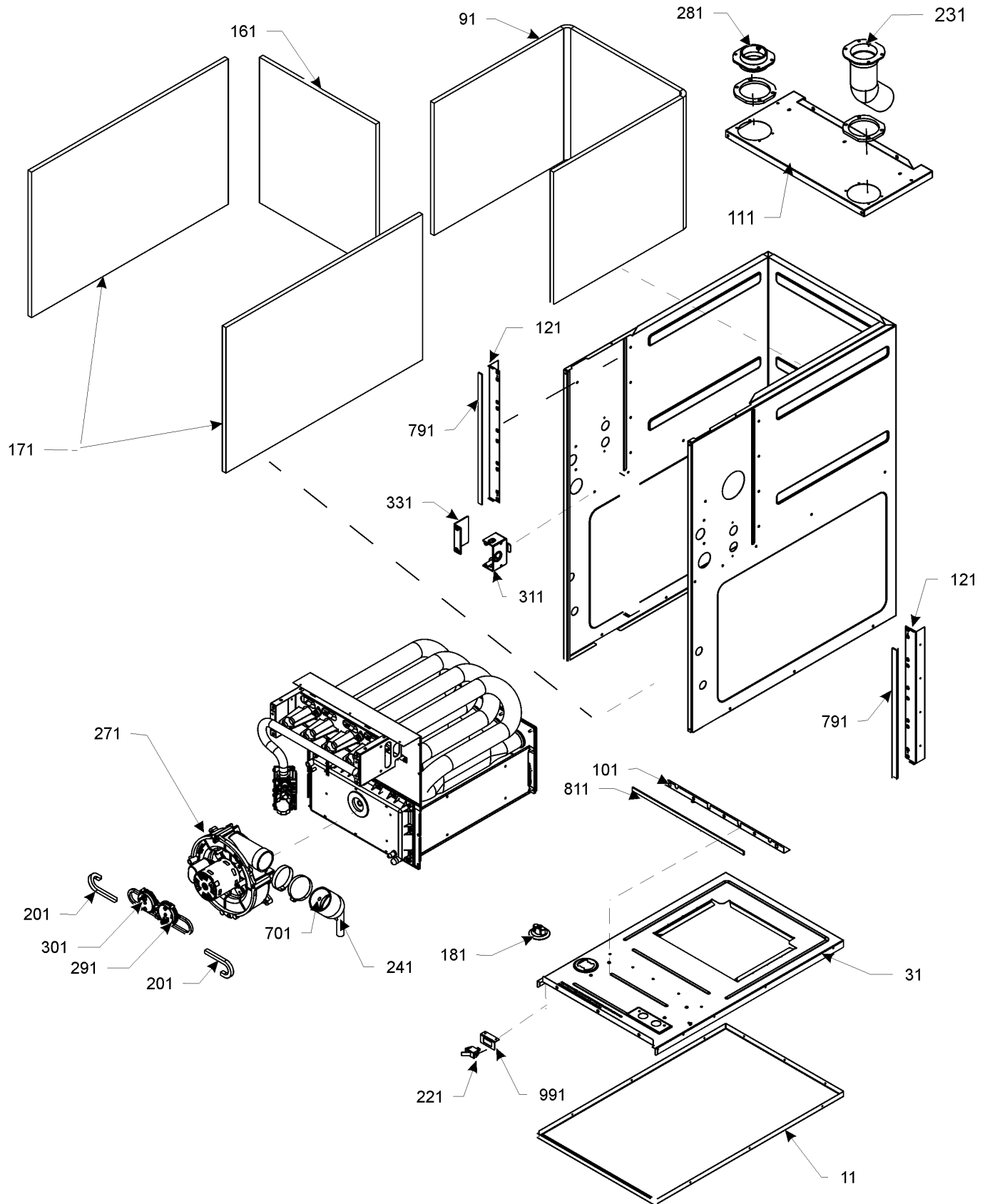
Blower Assembly

| Ref. Part No: | No: | Description: | Ref. Part No: | No: | Description: |
|-----------------|------------|--|---------------|-----|--------------|
| Image 1: | | | | | |
| 21 | 0150M00043 | WHEEL, BLOWER (10 X 8) (M1, M2, M3) | | | |
| 31 | 0271F00181 | BLOWER HSG ASSY (M1, M2, M3) | | | |
| 31 | 0271F00159 | BLOWER SHELL & WHEEL ASSY (M4, M5, M6, M7) | | | |
| 31 | 0271F00161 | BLOWER SHELL & WHEEL ASSY (M8, M9) | | | |
| 31 | 0271F00163 | BLOWER SHELL & WHEEL ASSY (M10, M11) | | | |
| 51 | 764740 | BLOWER BLOCK-OFF 10 X 8 (M1, M2, M3) | | | |
| 61 | A4002702 | BLOWER MOTOR GROMMET (M8, M9, M10, M11) | | | |
| 141 | 0121M00038 | MOTOR MOUNT BAND (M1, M2, M3, M4, M5, M6, M7) | | | |
| 141 | 10441601 | MOTOR MOUNT BAND (M8, M9, M10, M11) | | | |
| 151 | 10441501 | MOTOR MOUNT ARM (M8, M9, M10, M11) | | | |
| 151 | B1376857 | MOTOR MOUNT ARM (M1, M2, M3, M4, M5, M6, M7) | | | |
| 181 | 0131F00032 | MOTOR, BLOWER (M1) | | | |
| 181 | 0131F00033 | MOTOR, BLOWER (M2, M3) | | | |
| 181 | 0131F00034 | MOTOR, BLOWER (M4, M5) | | | |
| 181 | 0131F00035 | MOTOR, BLOWER (M6, M7) | | | |
| 181 | 0131F00036 | MOTOR, BLOWER (M8, M9) | | | |
| 181 | 0131F00037 | MOTOR, BLOWER (M10, M11) | | | |
| 231 | M0221461 | TC SCREW (M8, M9, M10, M11) | | | |
| 231 | M0250565 | TC SCREW 1.25" (M1, M2, M3, M4, M5, M6, M7) | | | |
| 251 | M0267144 | MACHINE SCREW (M8, M9, M10, M11) | | | |
| 251 | B1393323 | MACHINE SCREW HWH 1/4-20 X 1-1/2 BZ (M1, M2, M3, M4, M5, M6, M7) | | | |
| 261 | M0274008 | FLAT WASHER (M8, M9, M10, M11) | | | |
| 261 | B1392918 | FLAT WASHER 1/4 ID X 1 OD (M1, M2, M3, M4, M5, M6, M7) | | | |
| 281 | M0282015 | KEPS NUT (M8, M9, M10, M11) | | | |
| 381 | 0130M00140 | TRANSFORMER 120V TO 24V, 40VA | | | |
| 401 | PCBBF137 | PCB IGNITION HSI INTEG (M1, M3, M5, M7, M9, M11) | | | |
| 401 | PCBBF133 | PCB, IGNITION, HSI, INTEG. (M2, M4, M6, M8, M10) | | | |
| 461 | 0121F00464 | CONTROL MOUNTING PLATE | | | |
| 521 | 0130F00038 | AUX LIMIT - LT BLUE 120° (QTY 2) | | | |
| 621 | B1392820 | SLIT LOCK WASHER (M8, M9, M10, M11) | | | |
| NS | B1392021 | 1" PLASTIC PLUG (QTY 4) | | | |
| NS | 0259F00024 | HARNESS - BLOWER | | | |

Expanded Model Nomenclature

| |
|----------------------|
| M1 - GMEC960302BNAB |
| M2 - GMEC960402BNAA |
| M3 - GMEC960402BNAB |
| M4 - GMEC960603BNAA |
| M5 - GMEC960603BNAB |
| M6 - GMEC960803BNAA |
| M7 - GMEC960803BNAB |
| M8 - GMEC961004CNAA |
| M9 - GMEC961004CNAB |
| M10 - GMEC961205DNAA |
| M11 - GMEC961205DNAB |

Chassis



Chassis

**Ref. Part
No: No:**

Description:

**Ref. Part
No: No:**

Description:

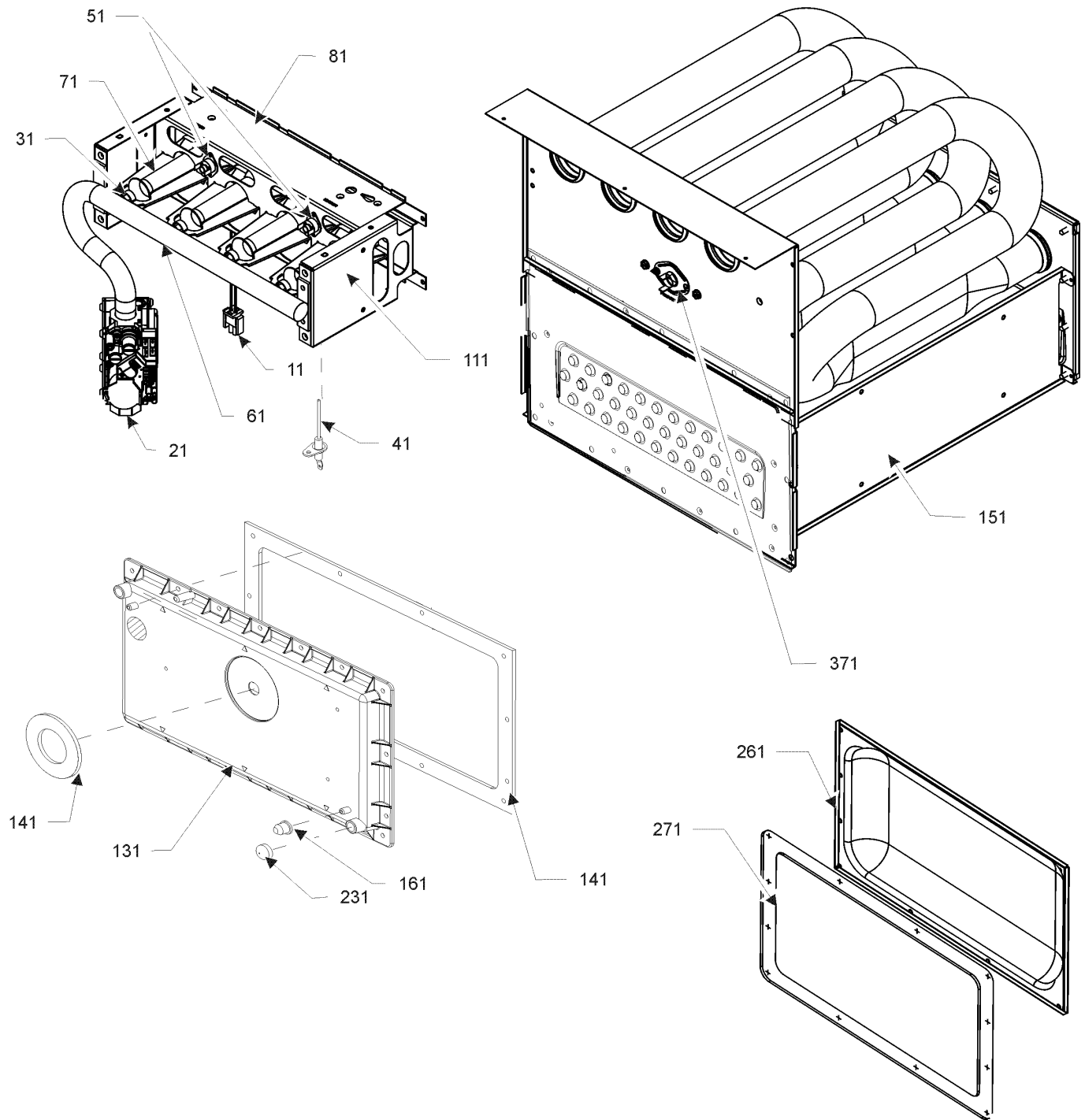
Image 1:

| | | |
|-----|--------------|--|
| 11 | 0121F00386DG | BASEPAN, UPFLOW PNT (M1, M2, M3, M4, M5, M6, M7) |
| 11 | 0121F00387DG | BASEPAN, UPFLOW PNT (M8, M9) |
| 11 | 0121F00388DG | BASEPAN, UPFLOW PNT (M10, M11) |
| 31 | 0121F00285 | DECK, BLOWER 17.5 (M1, M2, M3, M4, M5, M6, M7) |
| 31 | 0121F00286 | DECK, BLOWER 21 (M8, M9) |
| 31 | 0121F00287 | DECK, BLOWER 24.5 (M10, M11) |
| 91 | 0160F00015 | INSULATION, HT EXCHANGER 17.5" (M1, M2, M3, M4, M5, M6, M7) |
| 91 | 0160F00016 | INSULATION, HT EXCHANGER 21" (M8, M9) |
| 91 | 0160F00017 | INSULATION, HT EXCHANGER 24.5" (M10, M11) |
| 101 | 0121F00314 | ANGLE, DECK (M1, M2, M3, M4, M5, M6, M7) |
| 101 | 0121F00315 | ANGLE, DECK (M8, M9) |
| 101 | 0121F00316 | ANGLE, DECK (M10, M11) |
| 111 | 0121F00279DG | PAINTED TOP, FURNACE 17.5 (M1, M2, M3, M4, M5, M6, M7) |
| 111 | 0121F00280DG | PAINTED TOP, FURNACE 21 (M8, M9) |
| 111 | 0121F00281DG | PAINTED TOP, FURNACE 24.5 (M10, M11) |
| 121 | 0121F00313 | SIDE ANGLE (QTY 2) |
| 161 | 0160F00012 | INSULATION-BACK 17.5" (M1, M2, M3, M4, M5, M6, M7) |
| 161 | 0160F00013 | INSULATION-BACK 21" (M8, M9) |
| 161 | 0160F00014 | INSULATION-BACK 24.5" (M10, M11) |
| 171 | 0160F00018 | INSULATION, SIDE (QTY 2) |
| 181 | 0159F00034 | HARNESS, WIRING |
| 181 | 0159F00035 | HARNESS, WIRING |
| 181 | 0159F00037 | HARNESS, WIRING |
| 201 | 0164M00019 | PRESSURE SW HOSE 6" (QTY 2) |
| 221 | 0130M00243 | INTERLOCK SWITCH |
| 231 | 0164F00002 | FLUE PIPE W/BEND |
| 241 | 0164F00001 | ELBOW-FLUE, UPFLOW |
| 271 | 0171M00002 | MOTOR-ID, BLOWER |
| 281 | 0161F00037 | COUPLING |
| 291 | 0130F00481 | PRESSURE SWITCH (-.1 (COL BOX)) (M4, M5, M6, M7, M8, M9, M10, M11) |
| 291 | 0130F00486 | PRESSURE SWITCH (-.1 (COL BOX)) (M1, M2, M3) |
| 301 | 0130F00472 | PRESSURE SWITCH (-.67 / -1.15) (M1, M8, M9) |
| 301 | 0130F00471 | PRESSURE SWITCH (-.72 / -.97) (M2, M3) |
| 301 | 0130F00474 | PRESSURE SWITCH (-.72 / -1.47) (M6, M7) |
| 301 | 0130F00446 | PRESSURE SWITCH (-.76 / -1.25) (M10, M11) |
| 301 | 0130F00473 | PRESSURE SWITCH (-.92 / -1.47) (M4, M5) |
| 311 | 0161F00042 | JUNCTION BOX |
| 331 | 0161F00043 | JUNCTION BOX LID |
| 701 | M0326804 | TUBE PLUG |
| 791 | 0154F00015 | GASKET (QTY 2) |
| 811 | 0154F00014 | GASKET (M1, M2, M3, M4, M5, M6, M7) |
| 811 | 0154F00016 | GASKET (M8, M9) |
| 811 | 20194607 | GASKET (M10, M11) |
| 991 | 0121F00389 | BRACKET, DOOR SWITCH |

Expanded Model Nomenclature

| |
|----------------------|
| M1 - GMEC960302BNAB |
| M2 - GMEC960402BNAA |
| M3 - GMEC960402BNAB |
| M4 - GMEC960603BNAA |
| M5 - GMEC960603BNAB |
| M6 - GMEC960803BNAA |
| M7 - GMEC960803BNAB |
| M8 - GMEC961004CNAA |
| M9 - GMEC961004CNAB |
| M10 - GMEC961205DNAA |
| M11 - GMEC961205DNAB |

Heat Exchanger / Manifold / Gas Valve



Heat Exchanger / Manifold / Gas Valve

| Ref. Part No: | Description: | Ref. Part No: | Description: |
|-----------------|--|------------------------------------|-------------------|
| <i>Image 1:</i> | | Expanded Model Nomenclature | |
| 11 | 0130F00008 SINI IGNITOR | M1 | - GMCEC960302BNAB |
| 21 | 0151M00027 GAS VALVE | M2 | - GMCEC960402BNAA |
| 31 | 0163F00004 ORIFICE (M2, M3, M4, M5, M6, M7, M8, M9, M10, M11) | M3 | - GMCEC960402BNAB |
| 31 | 0163F00019 ORIFICE (M1) | M4 | - GMCEC960603BNAA |
| 41 | 0130F00010 FLAME SENSOR | M5 | - GMCEC960603BNAB |
| 51 | 0130F00123 MANUAL RESET LIMIT (M6, M7) | M6 | - GMCEC960803BNAA |
| 51 | 10123527 MANUAL RESET R.O.S. LIMIT (M10, M11) | M7 | - GMCEC960803BNAB |
| 51 | 10123533 MANUAL RESET R.O.S. LIMIT (M1) | M8 | - GMCEC961004CNAA |
| 51 | 10123534 MANUAL RESET R.O.S. LIMIT (M8, M9) | M9 | - GMCEC961004CNAB |
| 51 | 10123539 MANUAL RESET R.O.S. LIMIT (M2, M3, M4, M5) | M10 | - GMCEC961205DNAA |
| 61 | 0163F00007 MANIFOLD (M1, M2, M3) | M11 | - GMCEC961205DNAB |
| 61 | 0163F00008 MANIFOLD (M4, M5) | | |
| 61 | 0163F00010 MANIFOLD (M8, M9) | | |
| 61 | 0163F00011 MANIFOLD (M10, M11) | | |
| 61 | 0163F00014 MANIFOLD (M6, M7) | | |
| 71 | 0163F00017 BECKETT BURNER (QTY 2) | | |
| 81 | 0121F00456 BRACKET-BURNER 2 (M1, M2, M3) | | |
| 81 | 0121F00455 BRACKET-BURNER 3 (M4, M5) | | |
| 81 | 0121F00454 BRACKET-BURNER 4 (M6, M7) | | |
| 81 | 0121F00453 BRACKET-BURNER 5 (M8, M9) | | |
| 81 | 0121F00451 BRACKET-BURNER 6 (M10, M11) | | |
| 111 | 0121F00469 ORIFICE BRACKET-BURNER 2 (M1, M2, M3) | | |
| 111 | 0121F00468 ORIFICE BRACKET-BURNER 3 (M4, M5) | | |
| 111 | 0121F00467 ORIFICE BRACKET-BURNER 4 (M6, M7) | | |
| 111 | 0121F00466 ORIFICE BRACKET-BURNER 5 (M8, M9) | | |
| 111 | 0121F00465 ORIFICE BRACKET-BURNER 6 (M10, M11) | | |
| 131 | 0161F00015 FRONT COVER (M2, M3) | | |
| 131 | 0161F00024 FRONT COVER (M6, M7) | | |
| 131 | 0161F00032 FRONT COVER (M1) | | |
| 131 | 0161F00054 FRONT COVER (M4, M5) | | |
| 131 | 0161F00063 FRONT COVER (M10, M11) | | |
| 131 | 0161F00065 FRONT COVER (M8, M9) | | |
| 141 | 0154F00011 FRONT GASKET (M1, M2, M3, M4, M5, M6, M7) | | |
| 141 | 0154F00012 FRONT GASKET (M8, M9) | | |
| 141 | 0154F00013 FRONT GASKET (M10, M11) | | |
| 151 | 0257F00379 HEAT EXCHANGER ASSY (M6, M7) | | |
| 151 | 0257F00384 HEAT EXCHANGER ASSY (M2, M3) | | |
| 151 | 0257F00387 HEAT EXCHANGER ASSY (M1) | | |
| 151 | 0257F00374 HEAT EXCHANGER ASSY. (M4, M5) | | |
| 151 | 0257F00390 HEAT EXCHANGER ASSY. (M10, M11) | | |
| 151 | 0257F00393 HEAT EXCHANGER ASSY. (M8, M9) | | |
| 161 | M0326804 TUBE PLUG | | |
| 231 | A1781105 CAP-VINYL .500 | | |
| 261 | 0121F00317 REAR COVER (M1, M2, M3, M4, M5, M6, M7) | | |
| 261 | 0121F00318 REAR COVER (M8, M9) | | |
| 261 | 0121F00319 REAR COVER (M10, M11) | | |
| 271 | 0154F00037 REAR COVER GASKET (M1, M2, M3, M4, M5, M6, M7) | | |
| 271 | 0154F00038 REAR COVER GASKET (M8, M9) | | |
| 271 | 0154F00039 REAR COVER GASKET (M10, M11) | | |
| 371 | 20162904 *PRIMARY LIMIT-TEMPERATURE CONTROL (M1, M2, M3, M4, M5, M6, M7) *Refer to SF-054 | | |
| 371 | 0130F00036 PRIMARY LIMIT - PINK (M10, M11) | | |
| 371 | 20162906 PRIMARY LIMIT - WHITE (M8, M9) | | |
| NS | 0121F00439 PRIMARY LIMIT-HEAT SHIELD | | |
| NS | 0121F00355 SHIELD, COIL (QTY 2) | | |