



REPAIR PARTS

GMEC 80% High Efficient Gas Furnace

GMEC800403ANAA
GMEC800403AXAA
GMEC800603ANAA
GMEC800603AXAA
GMEC800603BNAA
GMEC800603BXAA
GMEC800803BNAA
GMEC800803BXAA
GMEC800804BNAA
GMEC800804BXAA
GMEC800804CNAA
GMEC800804CXAA
GMEC800805CNAA
GMEC800805CXAA
GMEC800805DXAA
GMEC801004CNAA
GMEC801005CNAA
GMEC801005CXAA
GMEC801205DNAA



This manual is to be used by qualified technicians only.

© 2019 Goodman Manufacturing Company, L.P. ♦ 5151 San Felipe St, Suite 500 ♦ Houston, TX 77056

Important Information

Index

Functional Parts List	3
Illustration and Parts	4 - 9

Views shown are for parts illustrations only, not servicing procedures

Text Codes:

AR - As Required

NA - Not Available

NS - Not Shown

00000000 - See Note

QTY - Quantity Example (QTY 3) (If Quantity not shown, Quantity = 1)

M - Model Example (M1) (If M Code not shown, then part is used on all Models)

Expanded Model Nomenclature:

Example M1 - Model#1 M2 - Model#2 M3 - Model#3

Goodman Manufacturing Company, L.P. is not responsible for personal injury or property damage resulting from improper service. Review all service information before beginning repairs.

Warranty service must be performed by an authorized technician, using authorized factory parts. If service is required after the warranty expires, Goodman Manufacturing Company, L.P. also recommends contacting an authorized technician and using authorized factory parts.

Goodman Manufacturing Company, L.P. reserves the right to discontinue, or change at any time, specifications or designs without notice or without incurring obligations.

For assistance within the U.S.A. contact:
Homeowner Support
Goodman Manufacturing Company, L.P.
19001 Kermier Road
Waller, Texas 77484
877-254-4729-Telephone
713-863-2382-Facsimile

For assistance outside the U.S.A. contact:
International Division
Goodman Manufacturing Company, L.P.
19001 Kermier Road
Waller, Texas 77484
713-861-2500-Telephone
713-863-2382-Facsimile

Functional Parts

Part

No: Description:

20162904	*PRIMARY LIMIT-TEMPERATURE CONTROL (M7, M8, M9, M10)
0130F00574	AIR PRESSURE SWITCH (M1, M2, M5, M6, M15)
0130F00573	AIR PRESSURE SWITCH (M11, M12)
0130F00038	AUX LIMIT - LT BLUE 120°
B1368034	BLOWER WHEEL (10 X 6) (M1, M2, M3, M4)
B1368000	BLOWER WHEEL (11 X 10) (M15, M19)
0130F00509	DUAL STAGE PRESSURE SWITCH (M7, M8, M13, M14)
0130F00508	DUAL STAGE PRESSURE SWITCH (M3, M4, M9, M10, M16, M17, M18, M19)
0130F00010	FLAME SENSOR
0151M00027	GAS VALVE
10690402	INTERLOCK SWITCH
20162903	LIMIT (M3, M4, M5, M6)
0130F00105	LIMIT SWITCH (M11, M12, M13, M14)
0130M00063	LIMIT, PRIMARY, 140, GOLD (M15, M16, M19)
20162906	LIMIT-WHITE (M1, M2)
20162905	LIMIT-YELLOW (M17, M18)
10123529	MANUAL RESET R.O.S. LIMIT (QTY 2)

Expanded Model Nomenclature

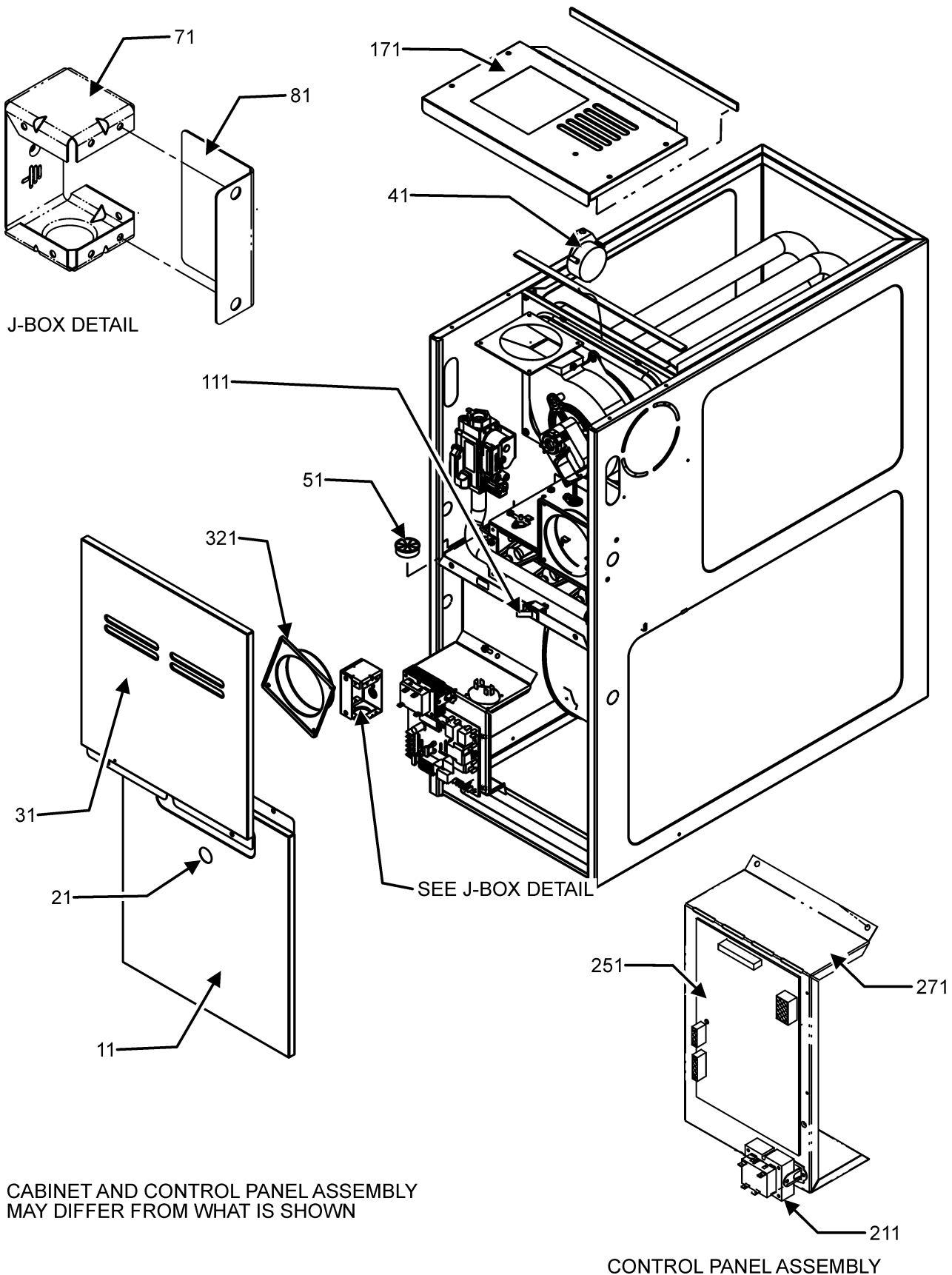
M1 - GMEC800403ANAA
M2 - GMEC800403AXAA
M3 - GMEC800603ANAA
M4 - GMEC800603AXAA
M5 - GMEC800603BNAA
M6 - GMEC800603BXAA
M7 - GMEC800803BNAA
M8 - GMEC800803BXAA
M9 - GMEC800804BNAA
M10 - GMEC800804BXAA
M11 - GMEC800804CNAA
M12 - GMEC800804CXAA
M13 - GMEC800805CNAA
M14 - GMEC800805CXAA
M15 - GMEC800805DXAA
M16 - GMEC801004CNAA
M17 - GMEC801005CNAA
M18 - GMEC801005CXAA
M19 - GMEC801205DNAA

0131M00781P	MOTOR, VENT 2-STAGE
PCBBF139	PCB IGNITION CONTROL
0131F00154	PROGRAM, MOTOR (M17, M18)
0131F00161	PROGRAM, MOTOR (M9, M10)
0131F00164	PROGRAM, MOTOR (M11, M12)
0131F00163	PROGRAM, MOTOR (M1, M2)
0131F00152	PROGRAM, MOTOR (M19)
0131F00162	PROGRAM, MOTOR (M7, M8)
0131F00160	PROGRAM, MOTOR (M5, M6)
0131F00159	PROGRAM, MOTOR (M15)
0131F00153	PROGRAM, MOTOR (M16)
0131F00151	PROGRAM, MOTOR (M13, M14)
0131F00150	PROGRAM, MOTOR (M3, M4)
0130F00008	SINI IGNITOR
0130M00140	TRANSFORMER,(120V TO 24V,40VA,
DY6.186.070	VENT MOTOR CAPACITOR
0150M00042	WHEEL, BLOWER (10 X 10) (M11, M12, M13, M14, M16, M17, M18)
0150M00043	WHEEL, BLOWER (10 X 8) (M5, M6, M7, M8, M9, M10)

Special Parts:

0161F00007	NAMEPLATE, GOODMAN
------------	--------------------

Cabinet Assembly



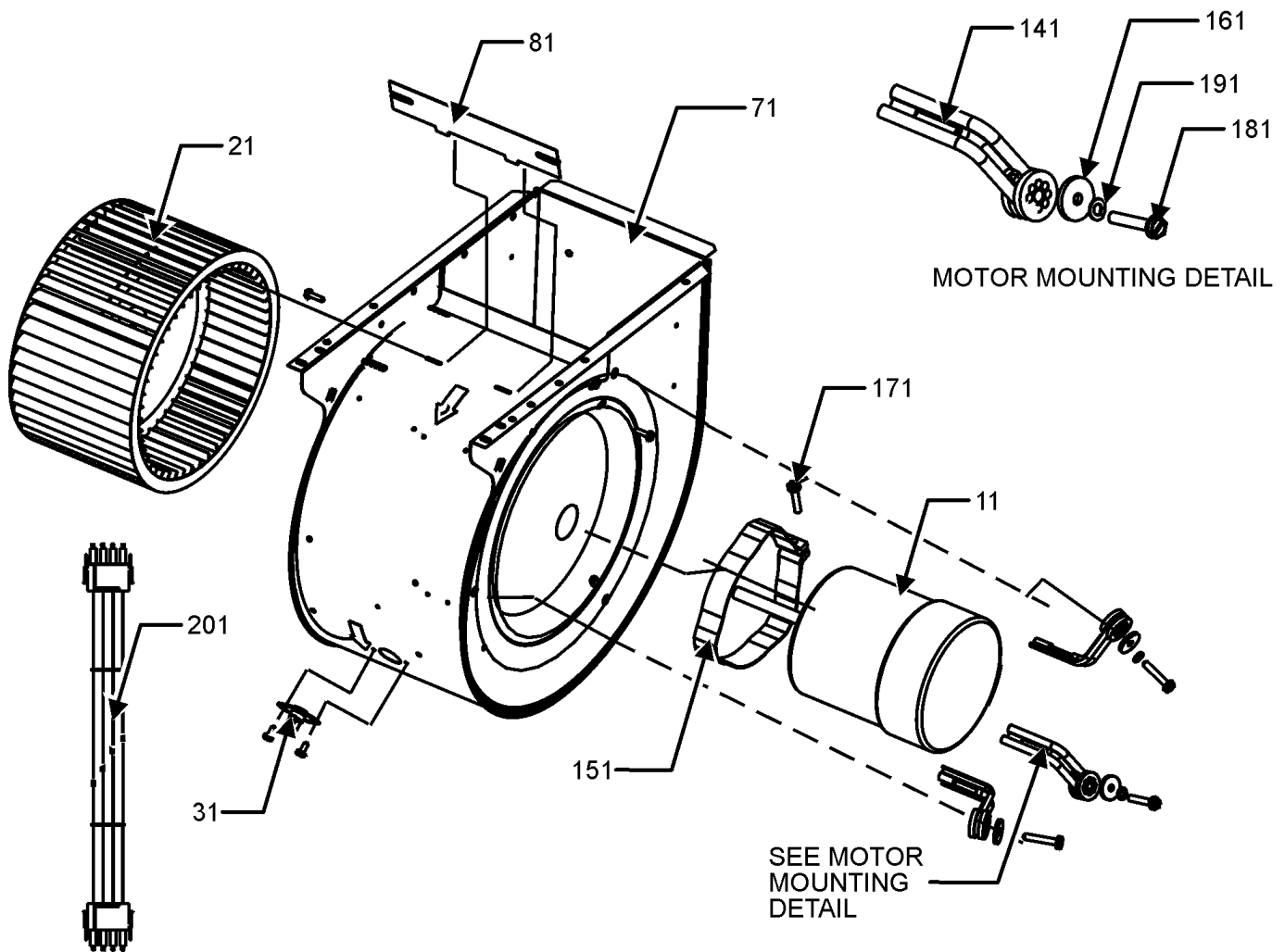
CABINET AND CONTROL PANEL ASSEMBLY
MAY DIFFER FROM WHAT IS SHOWN

Cabinet Assembly

Ref. Part No:	No:	Description:	Ref. Part No:	No:	Description:
Image 1:			Expanded Model Nomenclature		
11	0121F00122DG	DOOR, BLOWER, 14"-PAINTED (M1, M2, M3, M4)	M1 -	GMEC800403A	NAA
11	0121F00123DG	DOOR, BLOWER, 17.5"-PAINTED (M5, M6, M7, M8, M9, M10)	M2 -	GMEC800403A	XAA
11	0121F00124DG	DOOR, BLOWER, 21"-PAINTED (M11, M12, M13, M14, M16, M17, M18)	M3 -	GMEC800603A	NAA
11	0121F00125DG	DOOR, BLOWER, 24.5"-PAINTED (M15, M19)	M4 -	GMEC800603A	XAA
21	B1392139	VIEW PORT BUSHING-BLOWER DOOR	M5 -	GMEC800603B	NAA
31	0121F00118DG	DOOR CTRL ACCESS, 14"-PAINTED (M1, M2, M3, M4)	M6 -	GMEC800603B	XAA
31	0121F00120DG	DOOR CTRL ACCESS, 21"-PAINTED (M11, M12, M13, M14, M16, M17, M18)	M7 -	GMEC800803B	NAA
31	0121F00119DG	DOOR CTRL ACCESS, 17.5"-PAINTED (M5, M6, M7, M8, M9, M10)	M8 -	GMEC800803B	XAA
31	0121F00121DG	DOOR CTRL ACCESS, 24.5"-PAINTED (M15, M19)	M9 -	GMEC800804B	NAA
41	0130F00573	AIR PRESSURE SWITCH (M11, M12)	M10 -	GMEC800804B	XAA
41	0130F00574	AIR PRESSURE SWITCH (M1, M2, M5, M6, M15)	M11 -	GMEC800804C	NAA
41	0130F00508	DUAL STAGE PRESSURE SWITCH (M3, M4, M9, M10, M16, M17, M18, M19)	M12 -	GMEC800804C	XAA
41	0130F00509	DUAL STAGE PRESSURE SWITCH (M7, M8, M13, M14)	M13 -	GMEC800805C	NAA
51	B1392147	UNIVERSAL BUSHING WITH SLICE	M14 -	GMEC800805C	XAA
71	4014502	J-BOX	M15 -	GMEC800805D	XAA
81	4015502	COVER, J-BOX	M16 -	GMEC801004C	NAA
111	10690402	INTERLOCK SWITCH	M17 -	GMEC801005C	NAA
171	0121F00141DG	TOP, FURNACE 14"-PAINTED (M1, M2, M3, M4)	M18 -	GMEC801005C	XAA
171	0121F00142DG	TOP, FURNACE 17.5"-PAINTED (M5, M6, M7, M8, M9, M10)	M19 -	GMEC801205D	NAA
171	0121F00143DG	TOP, FURNACE 21"-PAINTED (M11, M12, M13, M14, M16, M17, M18)			
171	0121F00463DG	TOP, FURNACE 24.5" PAINTED (M15, M19)			
211	0130M00140	TRANSFORMER, (120V TO 24V, 40VA,			
251	PCBBF139	PCB IGNITION CONTROL			
271	0121F00464	MOUNTING PLATE-CONTROLS			
321	4023500	CHIMNEY TRANSITION TOP			
NS	0161F00007	NAMEPLATE, GOODMAN			

Blower Assembly

BLOWER ASSEMBLY

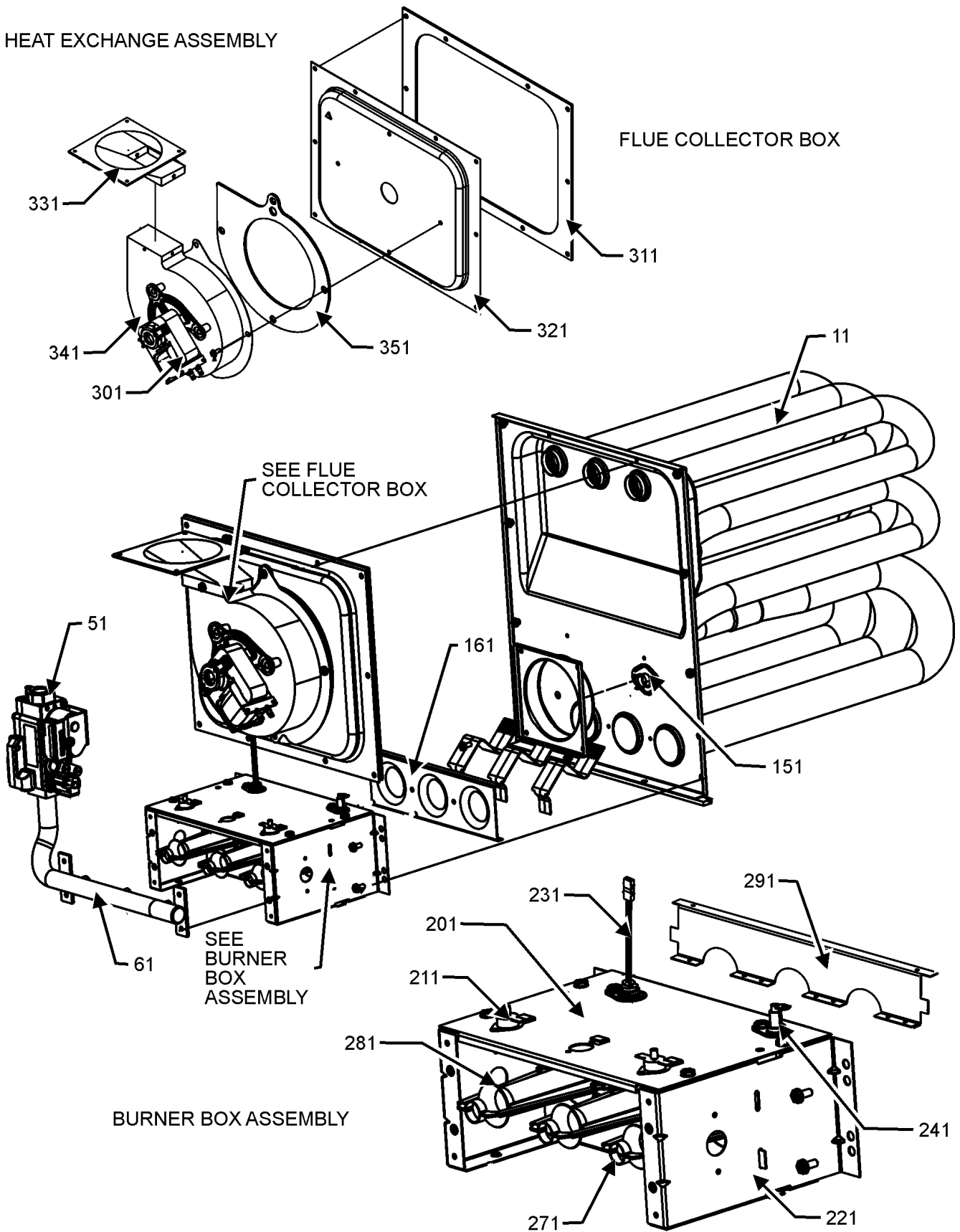


Blower Assembly

Ref. Part No:	No:	Description:	Ref. Part No:	No:	Description:
<i>Image 1:</i>			Expanded Model Nomenclature		
21	B1368034	BLOWER WHEEL (10 X 6) (M1, M2, M3, M4)	M1	-	GMEC800403ANAA
21	B1368000	BLOWER WHEEL (11 X 10) (M15, M19)	M2	-	GMEC800403AXAA
21	0150M00042	WHEEL, BLOWER (10 X 10) (M11, M12, M13, M14, M16, M17, M18)	M3	-	GMEC800603ANAA
21	0150M00043	WHEEL, BLOWER (10 X 8) (M5, M6, M7, M8, M9, M10)	M4	-	GMEC800603AXAA
31	0130F00038	AUX LIMIT - LT BLUE 120°	M5	-	GMEC800603BNAA
71	2539307	BLOWER HOUSING 10 X 10 (M11, M12, M13, M14, M15, M16, M17, M18, M19)	M6	-	GMEC800603BXAA
71	2539305	BLOWER HOUSING 10 X 6 (M1, M2, M3, M4)	M7	-	GMEC800803BNAA
71	2539306	BLOWER HOUSING 10 X 8 (M5, M6, M7, M8, M9, M10)	M8	-	GMEC800803BXAA
81	764741	BLOWER BLOCK-OFF 10 X 10 (M11, M12, M13, M14, M15, M16, M17, M18, M19)	M9	-	GMEC800804BNAA
81	764740	BLOWER BLOCK-OFF 10 X 8 (M5, M6, M7, M8, M9, M10)	M10	-	GMEC800804BXAA
81	764739	BLOWER CUT-OFF 10 X 6 (M1, M2, M3, M4)	M11	-	GMEC800804CNAA
141	B1376863	MOUNT ARM, MOTOR (HEAVY DUTY) (QTY 3)	M12	-	GMEC800804CXAA
151	0121M00039	MOUNT BAND, MOTOR (HEAVY DUTY) WASHER	M13	-	GMEC800805CNAA
161	B1392918	FLAT 1/4 ID X 10D (QTY 3)	M14	-	GMEC800805CXAA
171	0163M00320	HEX HEAD ALL THREAD TAP BOLT	M15	-	GMEC800805DXAA
181	M0250565	SCREW-TC 1.25" (QTY 3)	M16	-	GMEC801004CNAA
191	B1393800	LOCKNUT NYLON INSERT 1/4,20	M17	-	GMEC801005CNAA
11	0131F00151	PROGRAM, MOTOR (M13, M14)	M18	-	GMEC801005CXAA
11	0131F00152	PROGRAM, MOTOR (M19)	M19	-	GMEC801205DNAA
11	0131F00153	PROGRAM, MOTOR (M16)			
11	0131F00154	PROGRAM, MOTOR (M17, M18)			
11	0131F00159	PROGRAM, MOTOR (M15)			
11	0131F00160	PROGRAM, MOTOR (M5, M6)			
11	0131F00161	PROGRAM, MOTOR (M9, M10)			
11	0131F00162	PROGRAM, MOTOR (M7, M8)			
11	0131F00163	PROGRAM, MOTOR (M1, M2)			
11	0131F00164	PROGRAM, MOTOR (M11, M12)			
11	0131F00150	PROGRAM, MOTOR (M3, M4)			
201	0159F00076	WIRING HARNESS			

Heat Exchange Assembly

HEAT EXCHANGE ASSEMBLY



Heat Exchange Assembly

Ref. Part No:	Ref. Part No:	Description:	Description:
Image 1:		Image 1:	
11	0270F00900	HEAT EXCHANGER ASSY (M1, M2)	321 0121F00333 21" COLLECTOR BOX 1.75" DIA (M16, M17, M18)
11	0270F00901	HEAT EXCHANGER ASSY (M3, M4)	321 0121F00336 21" FLUE COLLECTOR BOX 1.50" (M13, M14)
11	0270F00902	HEAT EXCHANGER ASSY (M7, M8, M9, M10)	321 0121F00330 24.5" COLLECTOR BOX 2.125" DIA (M19)
11	0270F00903	HEAT EXCHANGER ASSY (M16, M17, M18)	321 0121F00655 COLLECTOR BOX 17.5" 1.437 DIA (M7, M8, M9, M10)
11	0270F00904	HEAT EXCHANGER ASSY (M19)	
11	0270F00929	HEAT EXCHANGER ASSY (M5, M6)	321 0121F00659 COLLECTOR BOX 21" 1.40 DIA (M11, M12)
11	0270F00930	HEAT EXCHANGER ASSY (M11, M12, M13, M14)	321 0121F00198 COLLECTOR BOX, 14" 1.75 DIA (M3, M4)
11	0270F02961	HEAT EXCHANGER ASSY (M15)	331 0128F00006 CHIMNEY TRANSITION BOTTOM
51	0151M00027	GAS VALVE	341 0131M00781P MOTOR, VENT 2-STAGE
61	0120F00006	MANIFOLD (M1, M2)	351 0154F00003 GASKET-14 INCH (M1, M2, M3, M4)
61	0120F00007	MANIFOLD (M3, M4, M5, M6)	351 0154F00004 GASKET-17.5 INCH (M5, M6, M7, M8, M9, M10)
61	0120F00008	MANIFOLD (M7, M8, M9, M10, M11, M12, M13, M14, M15)	351 0154F00005 GASKET-21 INCH (M11, M12, M13, M14, M15, M16, M17, M18)
61	0120F00009	MANIFOLD (M16, M17, M18)	351 0154F00006 GASKET-24.5 INCH (M19)
61	0120F00010	MANIFOLD (M19)	NS 0259F00283 DOWNFLOW MAIN WIRE HARNESS
151	20162904	*PRIMARY LIMIT-TEMPERATURE CONTROL (M7, M8, M9, M10)	NS 0259F00062 INDUCER HARNESS ASSY
			NS 0259F00281 WIRE HARNESS ASSY
151	20162903	LIMIT (M3, M4, M5, M6)	
151	0130F00105	LIMIT SWITCH (M11, M12, M13, M14)	
151	0130M00063	LIMIT, PRIMARY, 140, GOLD (M15, M16, M19)	
151	20162906	LIMIT-WHITE (M1, M2)	
151	20162905	LIMIT-YELLOW (M17, M18)	
161	4028000	ORIFICE PLATE, 2CELL (M1, M2)	
161	4028001	ORIFICE PLATE, 3CELL (M3, M4, M5)	
161	4028002	ORIFICE PLATE, 4 CELL (M6, M7, M8, M9, M10, M11, M12, M13, M14, M15)	
161	4028003	ORIFICE PLATE, 5CELL (M16, M17, M18)	
161	4028004	ORIFICE PLATE, 6CELL (M19)	
201	0121F00162	TOP, BURNER BOX 2 CELL (M1, M2)	
201	0121F00163	TOP, BURNER BOX 3 CELL (M3, M4, M5, M6)	
201	0121F00164	TOP, BURNER BOX 4 CELL (M7, M8, M9, M10, M11, M12, M13, M14, M15)	
201	0121F00165	TOP, BURNER BOX 5 CELL (M16, M17, M18)	
201	0121F00166	TOP, BURNER BOX 6 CELL (M19)	
211	10123529	MANUAL RESET R.O.S. LIMIT (QTY 2)	
221	0121F00146	SIDE PLATE BURNER BOX (QTY 2)	
231	0130F00008	SINI IGNITOR	
241	0130F00010	FLAME SENSOR	
271	10716005	ORIFICE (QTY 2)	
281	B4022700	INSHOT BURNER ASSY 3" (QTY 2)	
291	0121F00167	BURNER RACK, 2 CELL (M1, M2)	
291	0121F00168	BURNER RACK, 3 CELL (M3, M4, M5, M6)	
291	0121F00169	BURNER RACK, 4 CELL (M7, M8, M9, M10, M11, M12, M13, M14, M15)	
291	0121F00170	BURNER RACK, 5 CELL (M16, M17, M18)	
291	0121F00171	BURNER RACK, 6 CELL (M19)	
301	DY6.186.070	VENT MOTOR CAPACITOR	
311	0154F00003	GASKET-14 INCH (M1, M2, M3, M4)	
311	0154F00004	GASKET-17.5 INCH (M5, M6, M7, M8, M9, M10)	
311	0154F00005	GASKET-21 INCH (M11, M12, M13, M14, M15, M16, M17, M18)	
311	0154F00006	GASKET-24.5 INCH (M19)	
321	0121F00327	14" COLLECTOR BOX 1.125" DIA (M1, M2)	
321	0121F00328	17.5" COLLECTOR BOX 1.250" DIA (M5, M6)	
321	0121F00334	21" COLLECTOR BOX 1.625" DIA (M15)	

Expanded Model Nomenclature

M1 - GMEC800403ANAA
M2 - GMEC800403AXAA
M3 - GMEC800603ANAA
M4 - GMEC800603AXAA
M5 - GMEC800603BNAA
M6 - GMEC800603BXAA
M7 - GMEC800803BNAA
M8 - GMEC800803BXAA
M9 - GMEC800804BNAA
M10 - GMEC800804BXAA
M11 - GMEC800804CNAA
M12 - GMEC800804CXAA
M13 - GMEC800805CNAA
M14 - GMEC800805CXAA
M15 - GMEC800805DXAA
M16 - GMEC801004CNAA
M17 - GMEC801005CNAA
M18 - GMEC801005CXAA
M19 - GMEC801205DNAA