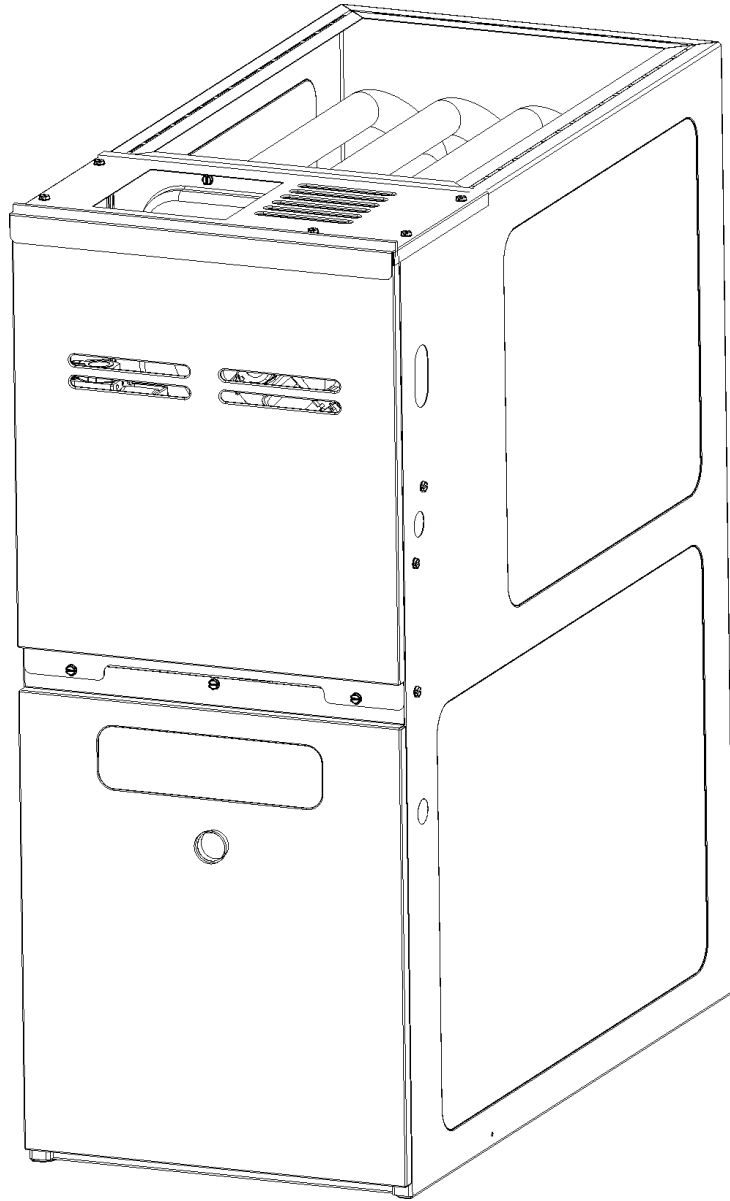


GME8 80% Upflow Furnace

GME80603BNAA
GME80603BNBA
GME80603BNBB
GME80603BXAA
GME80603BXBA
GME80603BXBB
GME80805CNAA
GME80805CNBA
GME80805CNBB
GME80805CXAA
GME80805CXBA
GME80805CXBB
GME80805DNAA
GME80805DXAA
GME81005CNAA
GME81005CNBA
GME81005CNBB
GME81005CXAA
GME81005CXBA
GME81005CXBB



This manual is to be used by qualified technicians only.

This manual replaces RP-681B.

© 2012-2013 Goodman Manufacturing Company, L.P. ♦ 5151 San Felipe St., Suite 500 ♦ Houston, TX 77056

Important Information

Index

Functional Parts List	3
Illustration and Parts	4 - 9

Views shown are for parts illustrations only, not servicing procedures

Rev C: Added vento motor capacitor service part.

Text Codes:

AR - As Required

NA - Not Available

NS - Not Shown

00000000 - See Note

QTY - Quantity Example (QTY 3) (If Quantity not shown, Quantity = 1)

M - Model Example (M1) (If M Code not shown, then part is used on all Models)

Expanded Model Nomenclature:

Example M1 - Model#1 M2 - Model#2 M3 - Model#3

Goodman Manufacturing Company, L.P. is not responsible for personal injury or property damage resulting from improper service. Review all service information before beginning repairs.

Warranty service must be performed by an authorized technician, using authorized factory parts. If service is required after the warranty expires, Goodman Manufacturing Company, L.P. also recommends contacting an authorized technician and using authorized factory parts.

Goodman Manufacturing Company, L.P. reserves the right to discontinue, or change at any time, specifications or designs without notice or without incurring obligations.

For assistance within the U.S.A. contact:
Consumer Affairs Department
Goodman Manufacturing Company, L.P.
7401 Security Way
Houston, Texas 77040
877-254-4729-Telephone
713-863-2382-Facsimile

For assistance outside the U.S.A. contact:
International Division
Goodman Manufacturing Company, L.P.
7401 Security Way
Houston, Texas 77040
713-861-2500-Telephone
713-863-2382-Facsimile

Functional Parts

Part

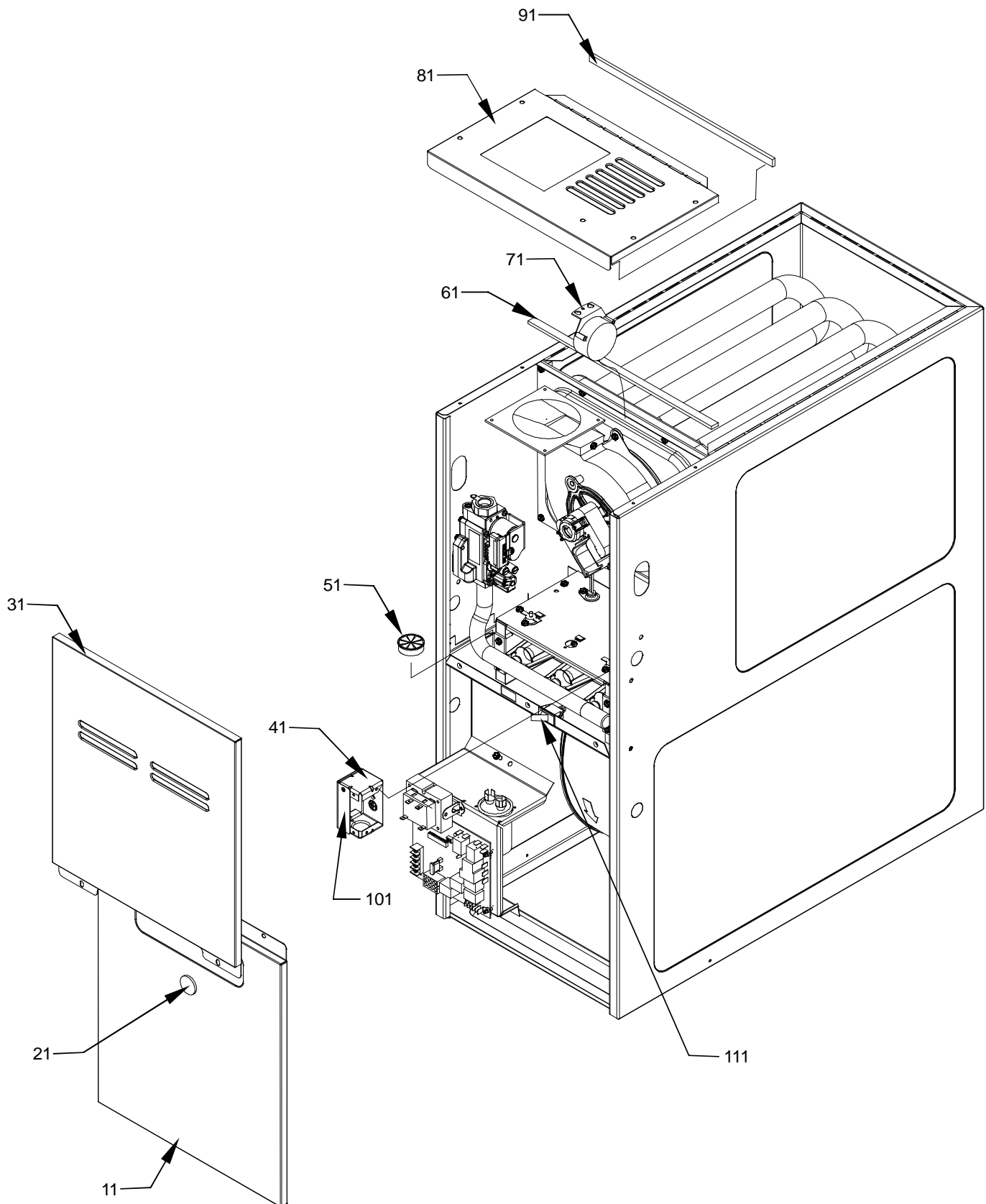
No: Description:

Part No:	Description:	Expanded Model Nomenclature
0131M00178	BLOWER MOTOR 1 HP (M15, M16, M17, M18, M19, M20)	M1 - GME80603BNAA
0131M00177	BLOWER MOTOR 1 HP (M7, M8, M9, M10, M11, M12)	M2 - GME80603BNBA
0131M00176	BLOWER MOTOR 1/2 HP (M1, M2, M3, M4, M5, M6)	M3 - GME80603BNBB
0131M00482	BLOWER MOTOR, 115V. 1HP PROG (M13, M14)	M4 - GME80603BXAA
B1368016S	BLOWER WHEEL 10 X 8 (M1, M2, M3, M4, M5, M6)	M5 - GME80603BXBA
0150M00035	BLOWER WHEEL, 10 X 10 (M7, M8, M9, M10, M11, M12, M13, M14, M15, M16, M17, M18, M19, M20)	M6 - GME80603BXBB
0130F00010	FLAME SENSOR	M7 - GME80805CNAA
0270F00903	HEAT EXCHANGER ASSY (M15, M16, M17, M18, M19, M20)	M8 - GME80805CNBA
0270F00929	HEAT EXCHANGER ASSY (M1, M2, M3, M4, M5, M6)	M9 - GME80805CNBB
0270F00930	HEAT EXCHANGER ASSY (M7, M8, M9, M10, M11, M12)	M10 - GME80805CXAA
0270F02961	HEAT EXCHANGER ASSY (M13, M14)	M11 - GME80805CXBA
0130F00008	IGNITOR-SINI 17 SEC	M12 - GME80805CXBB
B1370818	INTERLOCK SWITCH	M13 - GME80805DNAA
10123529	MANUAL RESET LIMIT (QTY 2)	M14 - GME80805DXAA
PCBBF132	PCB 2STAGE HYBRID FURNACE CNTL	M15 - GME81005CNAA
B1370179	PRESSURE SWITCH (M3, M6, M7, M9, M10, M12)	M16 - GME81005CNBA
0130F00041	PRESSURE SWITCH (M2, M5, M15, M18)	M17 - GME81005CNBB
0130F00042	PRESSURE SWITCH (M8, M11, M13, M14, M16, M19)	M18 - GME81005CXAA
B1370142	PRESSURE SWITCH 0.60" WC (M1, M4)	M19 - GME81005CXBA
B1370158	PRESSURE SWITCH -0.70" WC (M17, M20)	M20 - GME81005CXBB
20162903	PRIMARY LIMIT - BLUE (M1, M4, M7, M8, M9, M10, M11, M12, M13, M14, M15, M18)	
0130F00038	PRIMARY LIMIT - LT BLUE 120°	
20162904	PRIMARY LIMIT-TEMPERATURE CONTROL (M2, M3, M5, M6, M16, M17, M19, M20)	
0130M00140	TRANSFORMER,(120V TO 24V,40VA,	
0151M00028	VALVE,GAS(HW)VR92	
0131M00002	VENT MOTOR	
DY6.186.070	VENT MOTOR CAPACITOR	

SPECIAL PARTS

0161F00007 GOODMAN NAMEPLATE

Cabinet



Cabinet

**Ref. Part
No: No:**

Description:

**Ref. Part
No: No:**

Description:

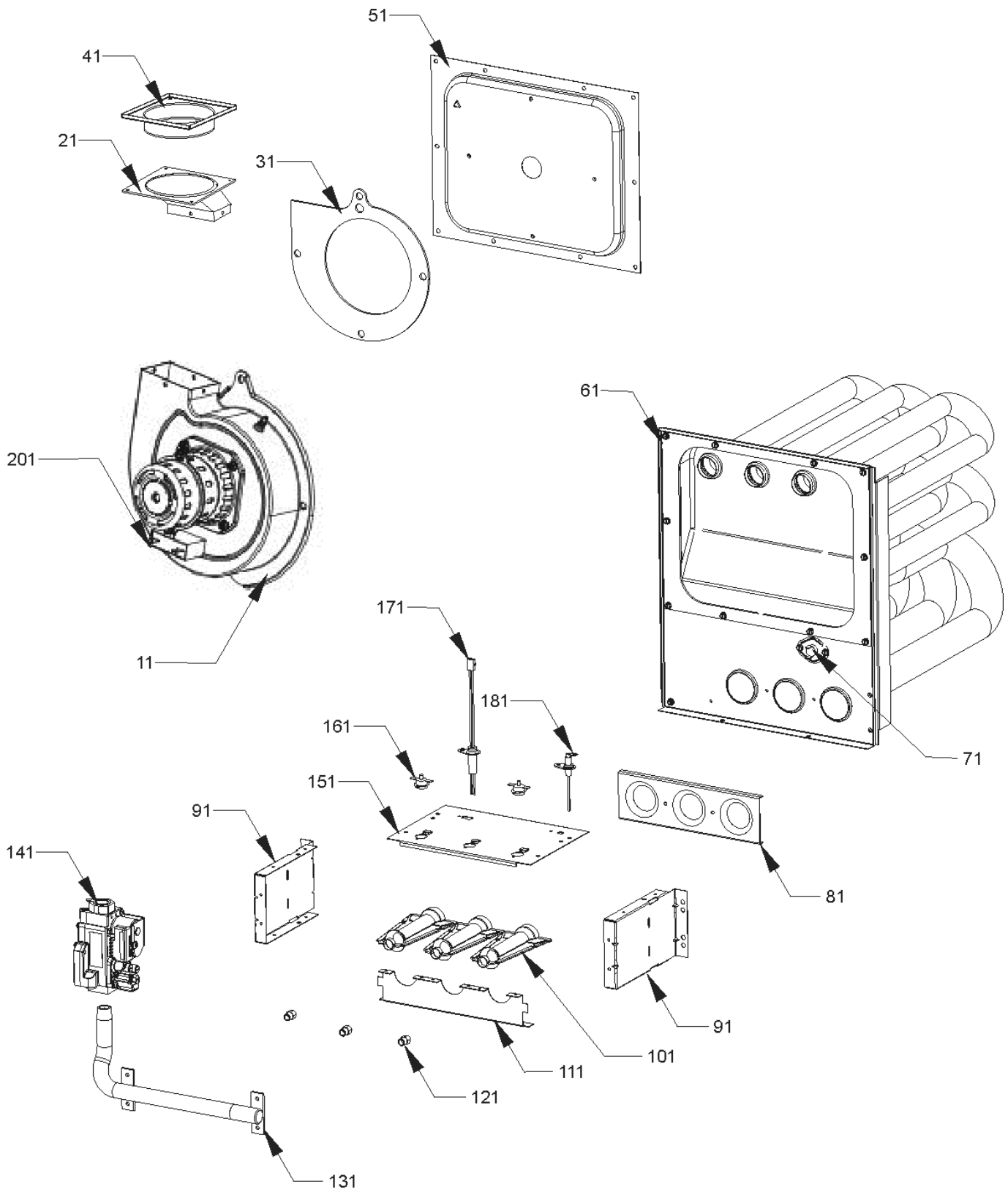
Image 1:

11	0121F00123DG	BLOWER ACCESS DOOR 17.5" (M1, M2, M3, M4, M5, M6)
11	0121F00124DG	BLOWER ACCESS DOOR 21" (M7, M8, M9, M10, M11, M12, M15, M16, M17, M18, M19, M20)
11	0121F00125DG	BLOWER ACCESS DOOR 24.5" (M13, M14)
21	B1392139	VIEW PORT BUSHING-BLOWER DOOR
31	0121F00119DG	CONTROL ACCESS DOOR 17.5" (M1, M2, M3, M4, M5, M6)
31	0121F00120DG	CONTROL ACCESS DOOR 21" (M7, M8, M9, M10, M11, M12, M15, M16, M17, M18, M19, M20)
31	0121F00121DG	CONTROL ACCESS DOOR 24.5" (M13, M14)
41	4014502	J-BOX
51	B1392147	UNIVERSAL BUSHING WITH SLICE
61	B13926112	SEAL STRIP, 1/8 X 1/2 X 17.5 (M1, M2, M3, M4, M5, M6)
61	B13926113	SEAL STRIP, 1/8 X 1/2 X 21 (M7, M8, M9, M10, M11, M12, M15, M16, M17, M18, M19, M20)
61	B13926114	SEAL STRIP, 1/8 X 1/2 X 24.5 (M13, M14)
71	0130F00041	PRESSURE SWITCH (M2, M5, M15, M18)
71	0130F00042	PRESSURE SWITCH (M8, M11, M13, M14, M16, M19)
71	B1370179	PRESSURE SWITCH (M3, M6, M7, M9, M10, M12)
71	B1370142	PRESSURE SWITCH 0.60" WC (M1, M4)
71	B1370158	PRESSURE SWITCH -0.70" WC (M17, M20)
81	0121F00463DG	TOP, FURNACE 24.5" PAINTED (M13, M14)
81	0121F00142	TOP, FURNACE, 17.5" (M1, M2, M3, M4, M5, M6)
81	0121F00143	TOP, FURNACE, 21" (M7, M8, M9, M10, M11, M12, M15, M16, M17, M18, M19, M20)
91	B13926112	SEAL STRIP, 1/8 X 1/2 X 17.5 (M1, M2, M3, M4, M5, M6)
91	B13926113	SEAL STRIP, 1/8 X 1/2 X 21 (M7, M8, M9, M10, M11, M12, M15, M16, M17, M18, M19, M20)
91	B13926114	SEAL STRIP, 1/8 X 1/2 X 24.5 (M13, M14)
101	4015502	J-BOX COVER
111	B1370818	INTERLOCK SWITCH
NS	0161F00007	GOODMAN NAMEPLATE
NS	0259F00051	IGNITOR WIRE HARNESS ASSY
NS	0259F00050	KIT, WIRE HYBRID FURN
NS	0270K00016	SOLID BOTTOM 17.5" CASE (M1, M2, M3, M4, M5, M6)
NS	1819002	SOLID BOTTOM 21" CASE (M7, M8, M9, M10, M11, M12, M15, M16, M17, M18, M19, M20)
NS	0270K00018	SOLID BOTTOM 24.5" CASE (M13, M14)
NS	0259F00073	WIRE HARNESS ASSY (M1, M4, M7, M8, M9, M10, M11, M12, M13, M14, M15, M16, M17, M18, M19, M20)
NS	0259F00085	WIRE HARNESS ASSY (M2, M3, M5, M6)

Expanded Model Nomenclature

M1 - GME80603BNAA
M2 - GME80603BNBA
M3 - GME80603BNBB
M4 - GME80603BXAA
M5 - GME80603BXBA
M6 - GME80603BXBB
M7 - GME80805CNAA
M8 - GME80805CNBA
M9 - GME80805CNBB
M10 - GME80805CXAA
M11 - GME80805CXBA
M12 - GME80805CXBB
M13 - GME80805DNAA
M14 - GME80805DXAA
M15 - GME81005CNAA
M16 - GME81005CNBA
M17 - GME81005CNBB
M18 - GME81005CXAA
M19 - GME81005CXBA
M20 - GME81005CXBB

Heat Exchanger Assy



Heat Exchanger Assy

Ref. Part No:	No:	Description:	Ref. Part No:	No:	Description:
<i>Image 1:</i>			Expanded Model Nomenclature		
11	0131M00002	VENT MOTOR	M1	-	GME80603BNAA
21	0128F00006	CHIMNEY TRANSITION BOTTOM	M2	-	GME80603BNBA
31	0154F00004	VENT MOTOR GASKET 17.5" (M1, M2, M3, M4, M5, M6)	M3	-	GME80603BNBB
31	0154F00005	VENT MOTOR GASKET 21" (M7, M8, M9, M10, M11, M12, M13, M14, M15, M16, M17, M18, M19, M20)	M4	-	GME80603BXAA
41	4023500	CHIMNEY TRANSITION TOP	M5	-	GME80603BXBA
51	0121F00328	17.5" COLLECTOR BOX 1.250" DIA (M2, M5)	M6	-	GME80603BXBB
51	0121F00333	21" COLLECTOR BOX 1.75" DIA (M9, M12, M16, M17, M19, M20)	M7	-	GME80805CNAA
51	0121F00462	21" FLUE COLLECTOR BOX (M13, M14)	M8	-	GME80805CNBA
51	0121F00336	21" FLUE COLLECTOR BOX 1.50" (M8, M11)	M9	-	GME80805CNBB
51	0121F00128	FLUE COLLECTOR BOX KIT 17.5" 1.75 DIA (M1, M3, M4, M6)	M10	-	GME80805CXAA
51	0121F00130	FLUE COLLECTOR BOX KIT 21" 2.25 DIA (M7, M10, M15, M18)	M11	-	GME80805CXBA
61	0270F00903	HEAT EXCHANGER ASSY (M15, M16, M17, M18, M19, M20)	M12	-	GME80805CXBB
61	0270F00929	HEAT EXCHANGER ASSY (M1, M2, M3, M4, M5, M6)	M13	-	GME80805DNAA
61	0270F00930	HEAT EXCHANGER ASSY (M7, M8, M9, M10, M11, M12)	M14	-	GME80805DXAA
61	0270F02961	HEAT EXCHANGER ASSY (M13, M14)	M15	-	GME81005CNAA
71	20162903	PRIMARY LIMIT - BLUE (M1, M4, M7, M8, M9, M10, M11, M12, M13, M14, M15, M18)	M16	-	GME81005CNBA
71	20162904	PRIMARY LIMIT-TEMPERATURE CONTROL (M2, M3, M5, M6, M16, M17, M19, M20)	M17	-	GME81005CNBB
81	4028001	ORIFICE SHIELD 3 CELL (M1, M2, M3, M4, M5, M6)	M18	-	GME81005CXAA
81	4028002	ORIFICE SHIELD 4 CELL (M7, M8, M9, M10, M11, M12, M13, M14)	M19	-	GME81005CXBA
81	4028003	ORIFICE SHIELD 5 CELL (M15, M16, M17, M18, M19, M20)	M20	-	GME81005CXBB
91	0121F00146	BURNER BOX SIDE (QTY 2)			
101	B4022700	INSHOT BURNER ASSY 3" (QTY A/R)			
111	0121F00168	BURNER BRACKET 3B (M1, M2, M3, M4, M5, M6)			
111	0121F00169	BURNER BRACKET 4B (M7, M8, M9, M10, M11, M12, M13, M14)			
111	0121F00170	BURNER BRACKET 5B (M15, M16, M17, M18, M19, M20)			
121	10716003	ORIFICE (M1, M4, M7, M10, M15, M18)			
121	B4089345	ORIFICE (M2, M3, M5, M6, M8, M9, M11, M12, M13, M14, M16, M17, M19, M20)			
131	0120F00007	MANIFOLD (M1, M2, M3, M4, M5, M6)			
131	0120F00008	MANIFOLD (M7, M8, M9, M10, M11, M12, M13, M14)			
131	0120F00009	MANIFOLD (M15, M16, M17, M18, M19, M20)			
141	0151M00028	VALVE,GAS(HW)VR92			
151	0121F00163	BURNER BOX TOP 3 CELL (M1, M2, M3, M4, M5, M6)			
151	0121F00164	BURNER BOX TOP 4 CELL (M7, M8, M9, M10, M11, M12, M13, M14)			
151	0121F00165	BURNER BOX TOP 5 CELL (M15, M16, M17, M18, M19, M20)			
161	10123529	MANUAL RESET LIMIT (QTY 2)			
171	0130F00008	IGNITOR-SINI 17 SEC			
181	0130F00010	FLAME SENSOR			
201	DY6.186.070	VENT MOTOR CAPACITOR			

Blower and Control Panel

Image 1

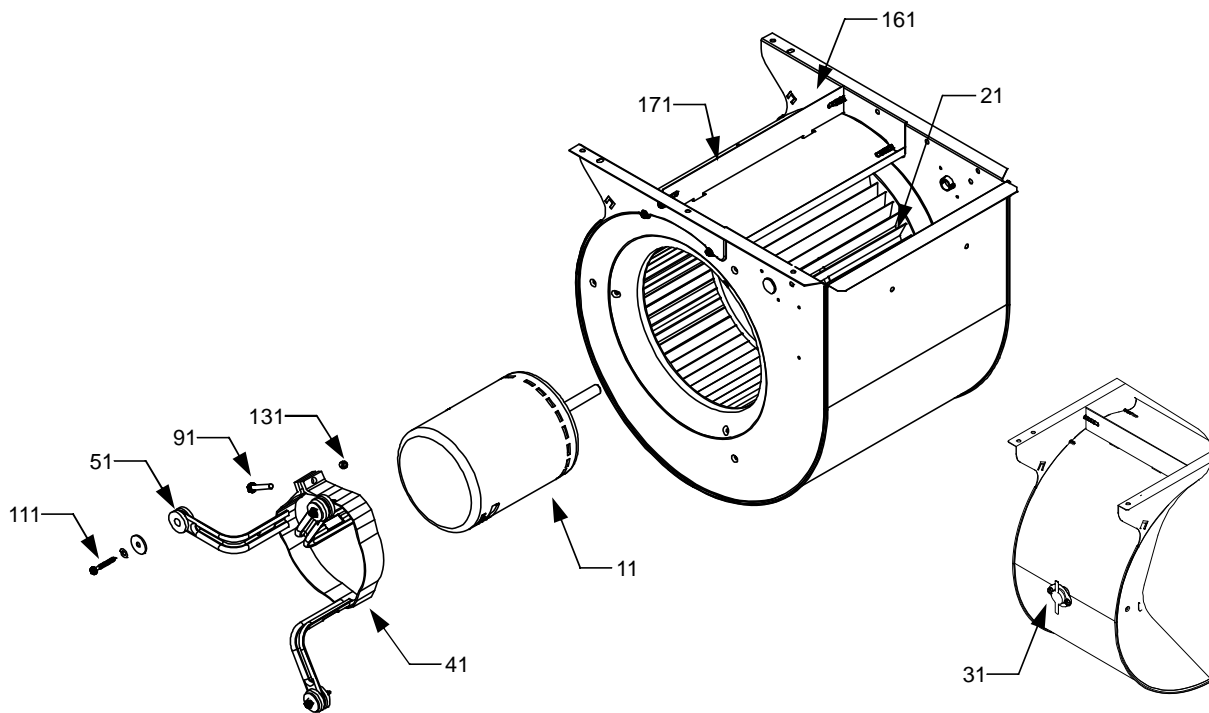
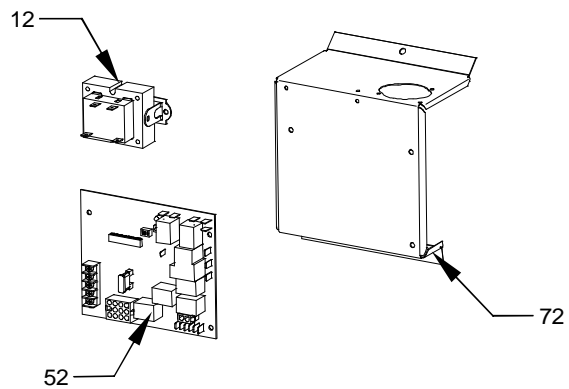


Image 2



Blower and Control Panel

Ref. Part No:	No:	Description:	Ref. Part No:	No:	Description:
<i>Image 1:</i>			Expanded Model Nomenclature		
11	0131M00177	BLOWER MOTOR 1 HP (M7, M8, M9, M10, M11, M12)	M1 - GME80603BNAA		
11	0131M00178	BLOWER MOTOR 1 HP (M15, M16, M17, M18, M19, M20)	M2 - GME80603BNBA		
11	0131M00176	BLOWER MOTOR 1/2 HP (M1, M2, M3, M4, M5, M6)	M3 - GME80603BNBB		
11	0131M00482	BLOWER MOTOR, 115V. 1HP PROG (M13, M14)	M4 - GME80603BXAA		
21	B1368016S	BLOWER WHEEL 10 X 8 (M1, M2, M3, M4, M5, M6)	M5 - GME80603BXBA		
21	0150M00035	BLOWER WHEEL, 10 X 10 (M7, M8, M9, M10, M11, M12, M13, M14, M15, M16, M17, M18, M19, M20)	M6 - GME80603BXBB		
31	0130F00038	PRIMARY LIMIT - LT BLUE 120°	M7 - GME80805CNAA		
41	0121M00038	MOTOR MOUNT BAND	M8 - GME80805CNBA		
51	B1376853	MOTOR MOUNT ARM (QTY 3)	M9 - GME80805CNBB		
91	B1393323	MACHINE SCREW HWH 1/4-20 X 1-1/2 BZ	M10 - GME80805CXAA		
111	M0250565	TC SCREW 1.25" (QTY 3)	M11 - GME80805CXBA		
131	B1393800	LOCKNUT, NYLON, INSERT 1/4, 20	M12 - GME80805CXBB		
161	2539307	BLOWER HOUSING 10 X 10 (M7, M8, M9, M10, M11, M12, M13, M14, M15, M16, M17, M18, M19, M20)	M13 - GME80805DNAA		
161	2539306S	BLOWER HOUSING 10 X 8 (M1, M2, M3, M4, M5, M6)	M14 - GME80805DXAA		
171	764740	BLOWER BLK-OFF,10X8 (M1, M2, M3, M4, M5, M6)	M15 - GME81005CNAA		
171	764741F	BLOWER BLOCK-OFF 10 X 10 (M7, M8, M9, M10, M11, M12, M13, M14, M15, M16, M17, M18, M19, M20)	M16 - GME81005CNBA		
NS	0130M00072	ECOTECH LOW VOLTAGE WIRE HARNESS	M17 - GME81005CNBB		
NS	0130M00073	ECOTECH POWER HARNESS	M18 - GME81005CXAA		
<i>Image 2:</i>			M19 - GME81005CXBA		
12	0130M00140	TRANSFORMER,(120V TO 24V,40VA,	M20 - GME81005CXBB		
52	PCBBF132	PCB 2STAGE HYBRID FURNACE CNTL			
72	1815817	CONTROL MOUNT PANEL			
NS	B1393802	SUPPORT, 2-WING BOARD, .187 MT (QTY 4)			
NS	B1393803	SUPPORT, SINGLE-WING BOARD (.1			