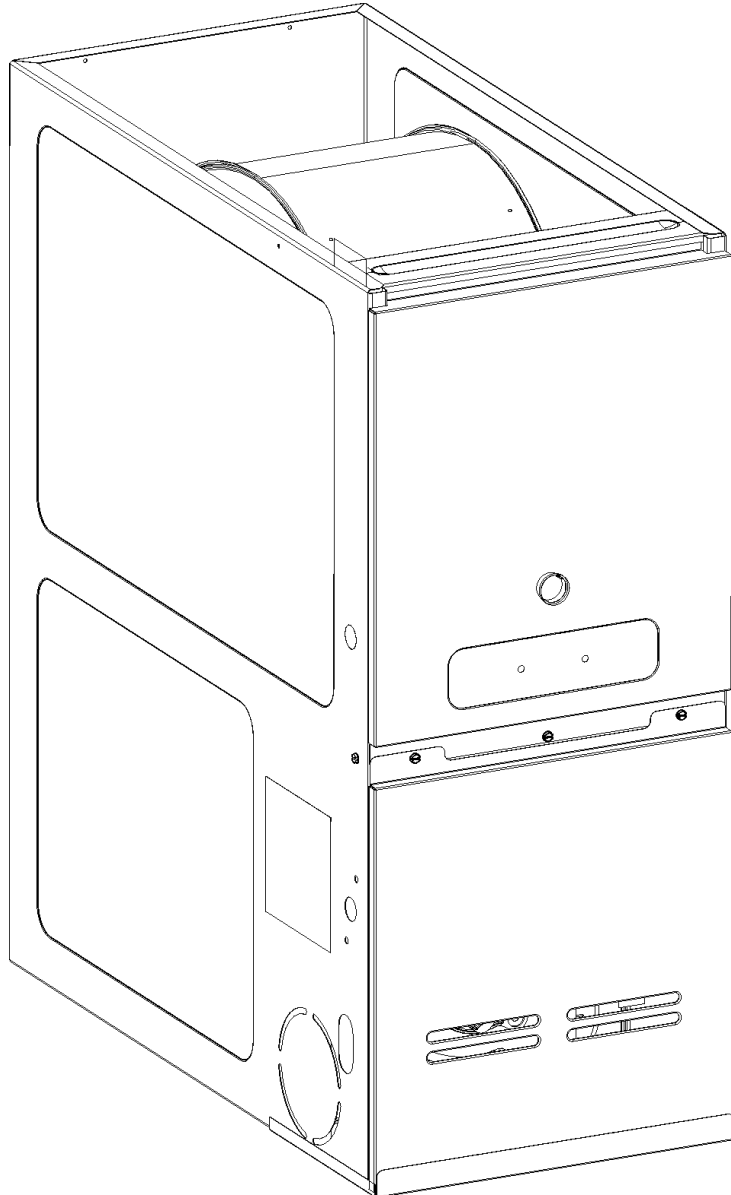


**GDS8 80% Furnace**

GDS80403ANAA  
GDS80403ANBA  
GDS80403ANBB  
GDS80403AXAA  
GDS80403AXBA  
GDS80403AXBB  
GDS80603ANAA  
GDS80603ANBA  
GDS80603ANBB  
GDS80603AXAA  
GDS80603AXBA  
GDS80603AXBB  
GDS80804BNAA  
GDS80804BNBA  
GDS80804BNBB  
GDS80804BXAA  
GDS80804BXBA  
GDS80804BXBB  
GDS81005CNAA  
GDS81005CNBA  
GDS81005CNBB  
GDS81005CXAA  
GDS81005CXBA  
GDS81005CXBB



This manual is to be used by qualified technicians only.

This manual replaces RP-687A.

© 2012-2013 Goodman Manufacturing Company, L.P. ♦ 5151 San Felipe St., Suite 500 ♦ Houston, TX 77056

# Important Information

---

## Index

Functional Parts List .....	3
Illustration and Parts .....	4 - 9

*Views shown are for parts illustrations only, not servicing procedures*

Rev B: Added vento motor capacitor service part.

### Text Codes:

AR - As Required

NA - Not Available

NS - Not Shown

00000000 - See Note

QTY - Quantity Example (QTY 3) (If Quantity not shown, Quantity = 1)

M - Model Example (M1) (If M Code not shown, then part is used on all Models)

### Expanded Model Nomenclature:

Example M1 - Model#1 M2 - Model#2 M3 - Model#3
---

Goodman Manufacturing Company, L.P. is not responsible for personal injury or property damage resulting from improper service. Review all service information before beginning repairs.

Warranty service must be performed by an authorized technician, using authorized factory parts. If service is required after the warranty expires, Goodman Manufacturing Company, L.P. also recommends contacting an authorized technician and using authorized factory parts.

Goodman Manufacturing Company, L.P. reserves the right to discontinue, or change at any time, specifications or designs without notice or without incurring obligations.

For assistance within the U.S.A. contact:  
Consumer Affairs Department  
Goodman Manufacturing Company, L.P.  
7401 Security Way  
Houston, Texas 77040  
877-254-4729-Telephone  
713-863-2382-Facsimile

For assistance outside the U.S.A. contact:  
International Division  
Goodman Manufacturing Company, L.P.  
7401 Security Way  
Houston, Texas 77040  
713-861-2500-Telephone  
713-863-2382-Facsimile

# Functional Parts

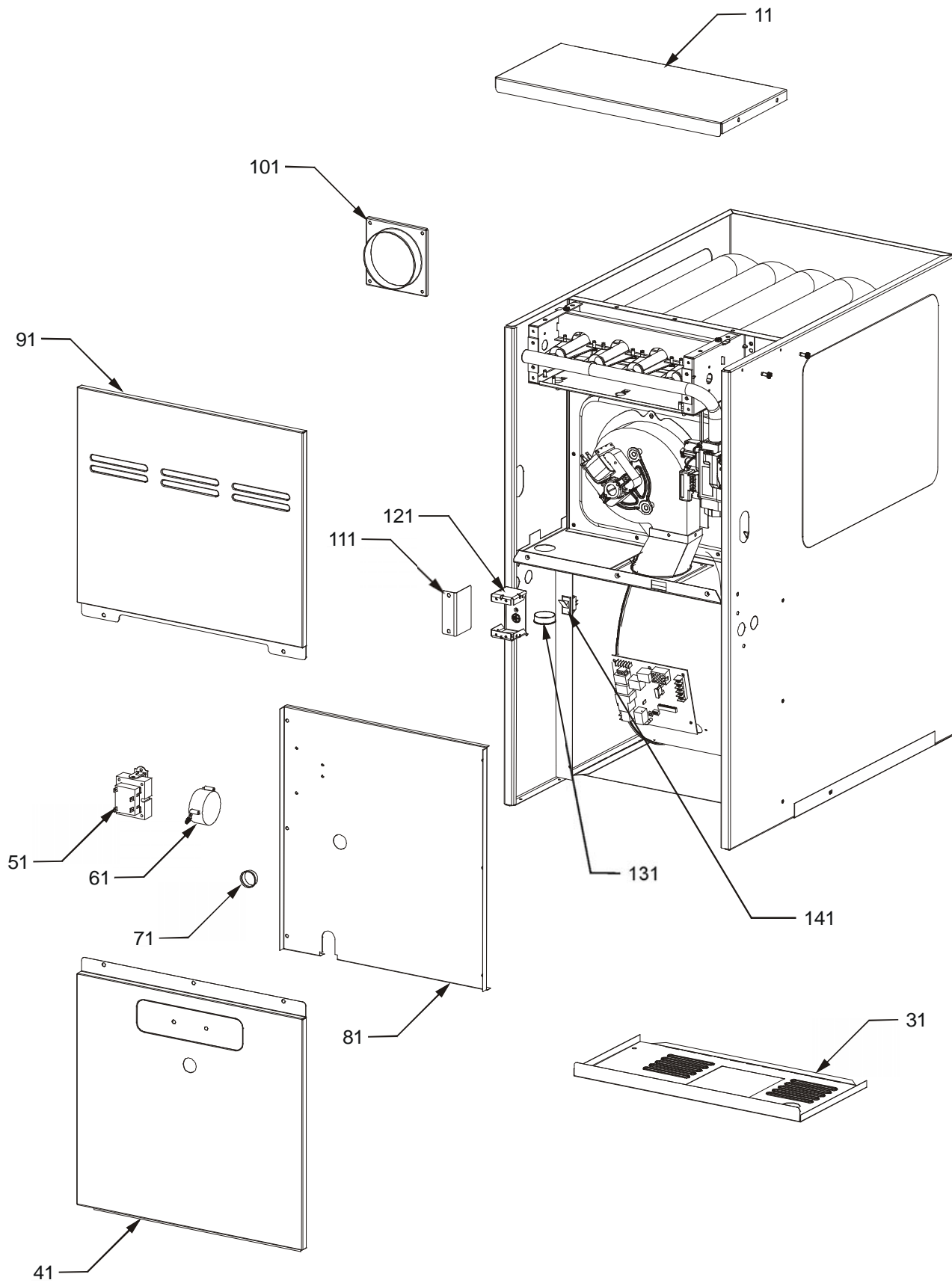
**Part No:**            **Description:**

Part No:	Description:	Expanded Model Nomenclature
0131F00022	BLOWER MOTOR 1/2 HP, 4 SP, 6 PL (M13, M14, M15, M16, M17, M18)	M1 - GDS80403ANAA
20046618	BLOWER MOTOR 3/4 HP (M19, M20, M21, M22, M23, M24)	M2 - GDS80403ANBA
0131F00021	BLOWER MOTOR, 1/3HP, 4SP, 6PL (M1, M2, M4, M5, M7, M8, M9, M10, M11, M12)	M3 - GDS80403ANBB
0131F00027	BLOWER MOTOR, 1/3HP, 4SP, 6PL (M3, M6)	M4 - GDS80403AXAA
0150M00035	BLOWER WHEEL 10 X 10 (M19, M20, M21, M22, M23, M24)	M5 - GDS80403AXBA
B1368034	BLOWER WHEEL 10 X 6 (M1, M2, M3, M4, M5, M6, M7, M8, M9, M10, M11, M12)	M6 - GDS80403AXBB
B1368016S	BLOWER WHEEL 10 X 8 (M13, M14, M15, M16, M17, M18)	M7 - GDS80603ANAA
CAP125000370RPP	CAP, 12.5 MFD/370V/ RD (M1, M2, M3, M4, M5, M6, M7, M8, M9, M10, M11, M12)	M8 - GDS80603ANBA
CAP200000370CP	CAP, 20 MFD/370V/ RD (M13, M14, M15, M16, M17, M18)	M9 - GDS80603ANBB
CAP250000370RPP	CAP, 25 MFD/370V/ RD (M19, M20, M21, M22, M23, M24)	M10 - GDS80603AXAA
0128F00006	CHIMNEY TRANSITION BOTTOM	M11 - GDS80603AXBA
0130F00010	FLAME SENSOR	M12 - GDS80603AXBB
0270F00900	HEAT EXCHANGER ASSY (M1, M2, M3, M4, M5, M6)	M13 - GDS80804BNAA
0270F00901	HEAT EXCHANGER ASSY (M7, M8, M9, M10, M11, M12)	M14 - GDS80804BNBA
0270F00902	HEAT EXCHANGER ASSY (M13, M14, M15, M16, M17, M18)	M15 - GDS80804BNBB
0270F00903	HEAT EXCHANGER ASSY (M19, M20, M21, M22, M23, M24)	M16 - GDS80804BXAA
PCBBF123	IGNITION BOARD, HSI INTEGRATED	M17 - GDS80804BXBA
20165703	IGNITOR	M18 - GDS80804BXBB
B1370818	INTERLOCK SWITCH	M19 - GDS81005CNAA
20162901	LIMIT (M20, M21, M23, M24)	M20 - GDS81005CNBA
10123529	MANUAL RESET LIMIT	M21 - GDS81005CNBB
0130F00042	PRESSURE SWITCH (M20, M21, M23, M24)	M22 - GDS81005CXAA
B1370142	PRESSURE SWITCH 0.60" WC (M1, M2, M3, M4, M5, M6, M8, M9, M11, M12, M13, M14, M15, M16, M17, M18)	M23 - GDS81005CXBA
B1370158	PRESSURE SWITCH -0.70" WC (M7, M10, M19, M22)	M24 - GDS81005CXBB
0130F00038	PRIMARY LIMIT - LT BLUE 120°	
0130F00036	PRIMARY LIMIT - PINK (M2, M3, M5, M6, M8, M9, M11, M12, M13, M14, M15, M16, M17, M18, M19, M22)	
0130F00035	PRIMARY LIMIT - PURPLE 220° (M1, M4, M7, M10)	
0130M00139	TRANSFORMER, 40VA,120VTO24V	
0131M00002	VENT MOTOR	
DY6.186.070	VENT MOTOR CAPACITOR	

## SPECIAL PARTS

0161F00007            GOODMAN NAMEPLATE

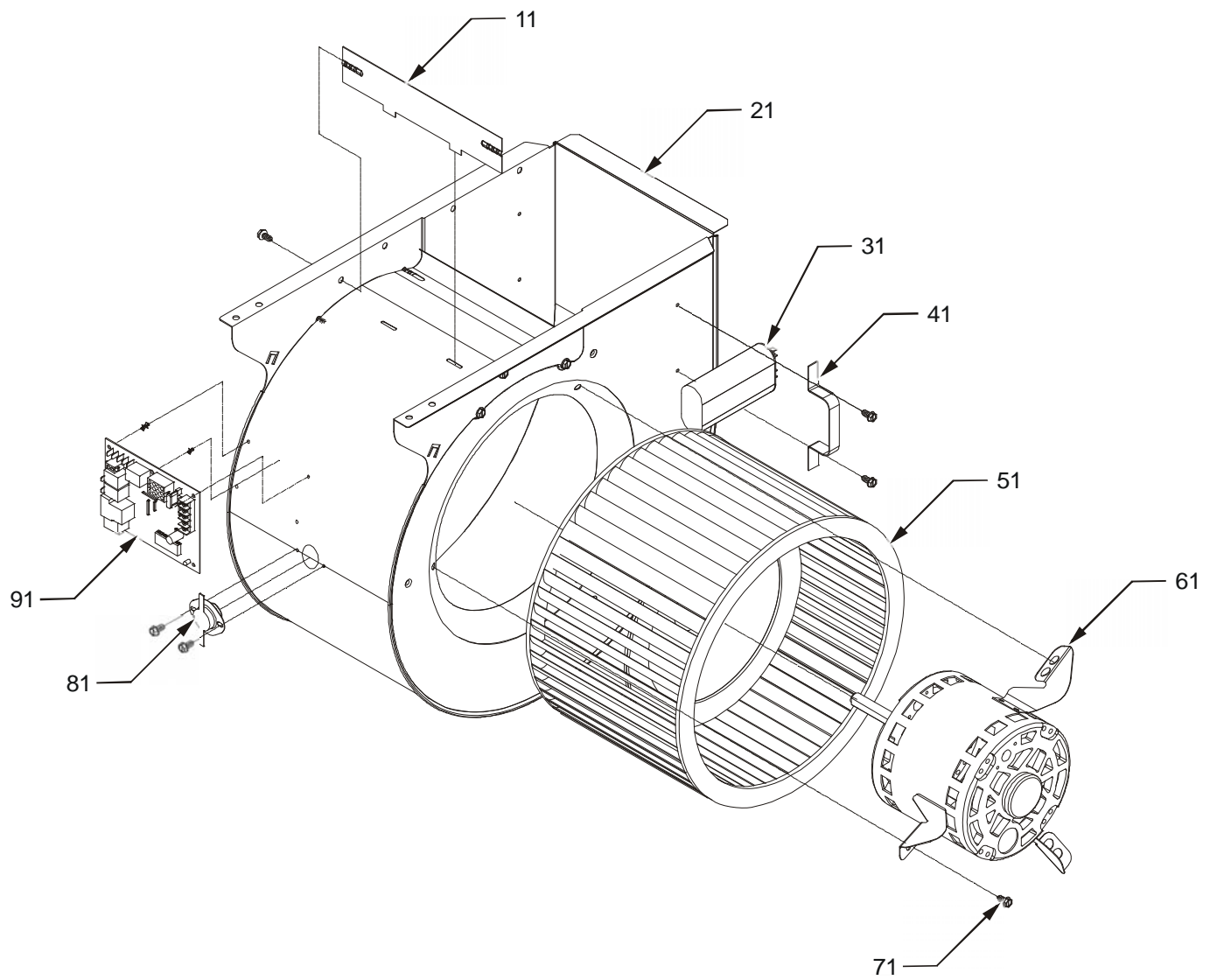
# Cabinet Assy



# Cabinet Assy

Ref. Part No:	No:	Description:	Ref. Part No:	No:	Description:
<i>Image 1:</i>			Expanded Model Nomenclature		
11	0121F00183DG	FURNACE BOTTOM 14" (M1, M2, M3, M4, M5, M6, M7, M8, M9, M10, M11, M12)	M1 - GDS80403ANAA		
11	0121F00190DG	FURNACE BOTTOM 17.5" (M13, M14, M15, M16, M17, M18)	M2 - GDS80403ANBA		
11	0121F00191DG	FURNACE BOTTOM 21" (M19, M20, M21, M22, M23, M24)	M3 - GDS80403ANBB		
31	0121F00141DG	TOP 14" (M1, M2, M3, M4, M5, M6, M7, M8, M9, M10, M11, M12)	M4 - GDS80403AXAA		
31	0121F00142DG	TOP 17.5" (M13, M14, M15, M16, M17, M18)	M5 - GDS80403AXBA		
41	0121F00122DG	BLOWER ACCESS DOOR 14" (M1, M2, M3, M4, M5, M6, M7, M8, M9, M10, M11, M12)	M6 - GDS80403AXBB		
41	0121F00123DG	BLOWER ACCESS DOOR 17.5" (M13, M14, M15, M16, M17, M18)	M7 - GDS80603ANAA		
41	0121F00124DG	BLOWER ACCESS DOOR 21" (M19, M20, M21, M22, M23, M24)	M8 - GDS80603ANBA		
51	0130M00139	TRANSFORMER, 40VA,120VTO24V	M9 - GDS80603ANBB		
61	0130F00042	PRESSURE SWITCH (M20, M21, M23, M24)	M10 - GDS80603AXAA		
61	B1370142	PRESSURE SWITCH 0.60" WC (M1, M2, M3, M4, M5, M6, M8, M9, M11, M12, M13, M14, M15, M16, M17, M18)	M11 - GDS80603AXBA		
61	B1370158	PRESSURE SWITCH -0.70" WC (M7, M10, M19, M22)	M12 - GDS80603AXBB		
71	B1392139	VIEW PORT BUSHING-BLOWER DOOR	M13 - GDS80804BNAA		
81	0121F00185	INNER BLOWER DOOR 14" (M1, M2, M3, M4, M5, M6, M7, M8, M9, M10, M11, M12)	M14 - GDS80804BNBA		
81	0121F00192	INNER BLOWER DOOR 17.5" (M13, M14, M15, M16, M17, M18)	M15 - GDS80804BNBB		
81	0121F00193	INNER BLOWER DOOR 21" (M19, M20, M21, M22, M23, M24)	M16 - GDS80804BXAA		
91	0121F00118DG	CONTROL ACCESS DOOR 14" (M1, M2, M3, M4, M5, M6, M7, M8, M9, M10, M11, M12)	M17 - GDS80804BXBA		
91	0121F00119DG	CONTROL ACCESS DOOR 17.5" (M13, M14, M15, M16, M17, M18)	M18 - GDS80804BXBB		
91	0121F00120DG	CONTROL ACCESS DOOR 21" (M19, M20, M21, M22, M23, M24)	M19 - GDS81005CNAA		
101	4023500	CHIMNEY TRANSITION TOP	M20 - GDS81005CNBA		
111	4015502	J-BOX COVER	M21 - GDS81005CNBB		
121	4014502	J-BOX	M22 - GDS81005CXAA		
131	0121F00143DG	TOP 21" (M19, M20, M21, M22, M23, M24)	M23 - GDS81005CXBA		
131	0163F00001	UNIVERSAL BUSHING WITH SLICE	M24 - GDS81005CXBB		
141	B1370818	INTERLOCK SWITCH			
NS	0259F00057	ASSY, WIRE HARNESS, 12-PIN			
NS	0161F00007	GOODMAN NAMEPLATE			
NS	0159F00009	IGNITOR WIRE HARNESS ASSY			
NS	0259F00059	KIT, WIRE DF			

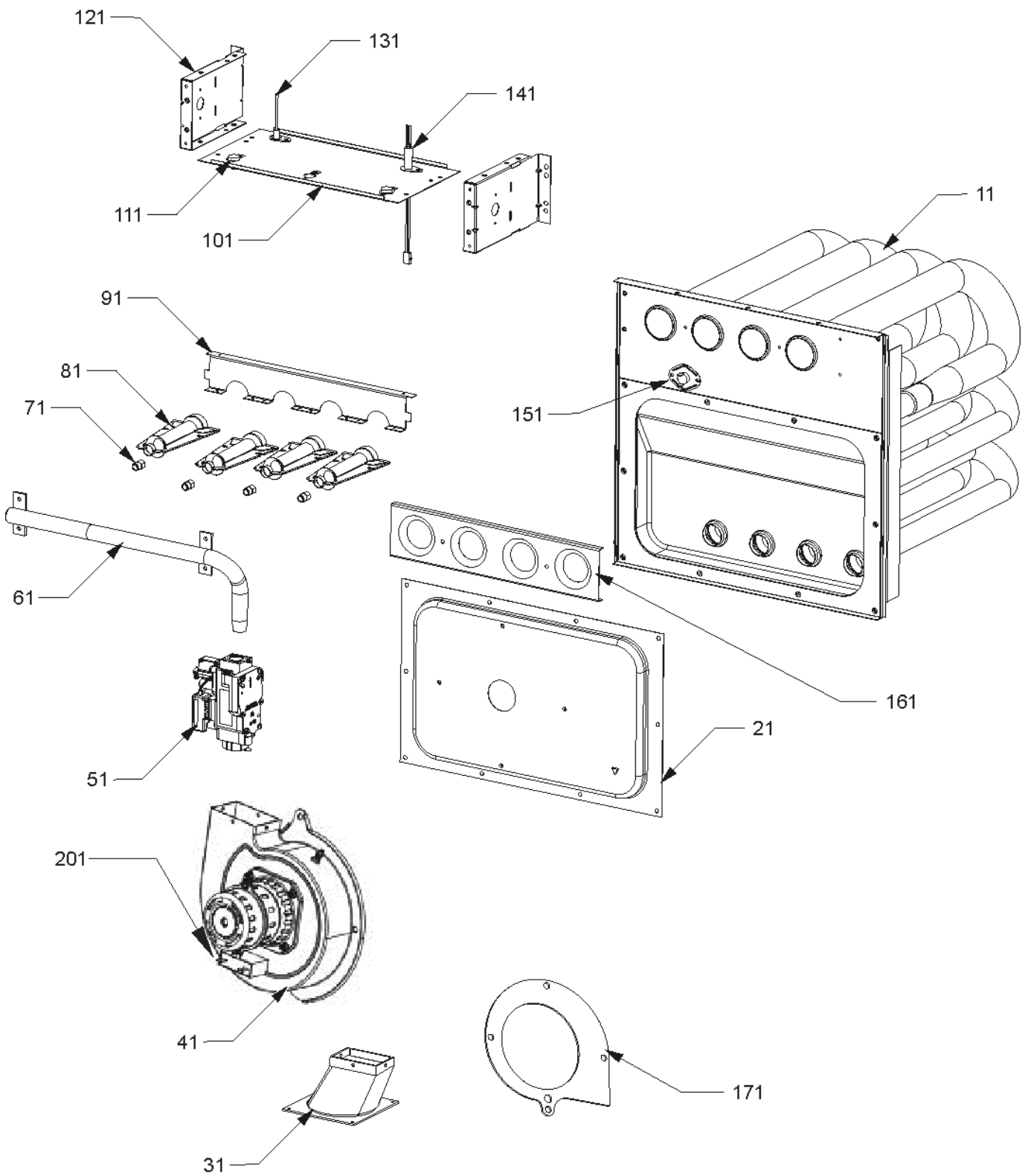
# Blower Assy



# Blower Assy

Ref. Part No:	No:	Description:	Ref. Part No:	No:	Description:
<i>Image 1:</i>			Expanded Model Nomenclature		
11	764741F	BLOWER BLOCK-OFF 10 X 10 (M19, M20, M21, M22, M23, M24)	M1 -	GDS80403ANAA	
11	764739	BLOWER CUT-OFF 10 X 6 (M1, M2, M3, M4, M5, M6, M7, M8, M9, M10, M11, M12)	M2 -	GDS80403ANBA	
11	764740	BLWR BLK-OFF,10X8 (M13, M14, M15, M16, M17, M18)	M3 -	GDS80403ANBB	
21	2539307	BLOWER HOUSING 10 X 10 (M19, M20, M21, M22, M23, M24)	M4 -	GDS80403AXAA	
21	2539305	BLOWER HOUSING 10 X 6 (M1, M2, M3, M4, M5, M6, M7, M8, M9, M10, M11, M12)	M5 -	GDS80403AXBA	
21	2539306	BLOWER HOUSING 10 X 8 (M13, M14, M15, M16, M17, M18)	M6 -	GDS80403AXBB	
31	CAP125000370RPP	CAP, 12.5 MFD/370V/ RD (M1, M2, M3, M4, M5, M6, M7, M8, M9, M10, M11, M12)	M7 -	GDS80603ANAA	
31	CAP200000370CP	CAP, 20 MFD/370V/ RD (M13, M14, M15, M16, M17, M18)	M8 -	GDS80603ANBA	
31	CAP250000370RPP	CAP, 25 MFD/370V/ RD (M19, M20, M21, M22, M23, M24)	M9 -	GDS80603ANBB	
41	1284835	CAPACITOR STRAP	M10 -	GDS80603AXAA	
51	0150M00035	BLOWER WHEEL 10 X 10 (M19, M20, M21, M22, M23, M24)	M11 -	GDS80603AXBA	
51	B1368034	BLOWER WHEEL 10 X 6 (M1, M2, M3, M4, M5, M6, M7, M8, M9, M10, M11, M12)	M12 -	GDS80603AXBB	
51	B1368016S	BLOWER WHEEL 10 X 8 (M13, M14, M15, M16, M17, M18)	M13 -	GDS80804BNAA	
61	0131F00022	BLOWER MOTOR 1/2 HP, 4 SP, 6 PL (M13, M14, M15, M16, M17, M18)	M14 -	GDS80804BNBA	
61	20046618	BLOWER MOTOR 3/4 HP (M19, M20, M21, M22, M23, M24)	M15 -	GDS80804BNBB	
61	0131F00021	BLOWER MOTOR, 1/3HP, 4SP, 6PL (M1, M2, M4, M5, M7, M8, M9, M10, M11, M12)	M16 -	GDS80804BXAA	
61	0131F00027	BLOWER MOTOR, 1/3HP, 4SP, 6PL (M3, M6)	M17 -	GDS80804BXBA	
71	M0250558	TC SCREW (QTY 3)	M18 -	GDS80804BXBB	
81	0130F00038	PRIMARY LIMIT - LT BLUE 120°	M19 -	GDS81005CNAA	
91	PCBBF123	IGNITION BOARD, HSI INTEGRATED	M20 -	GDS81005CNBA	
NS	B1393802	SUPPORT, 2-WING BOARD, .187 MT (QTY 4)	M21 -	GDS81005CNBB	
NS	B1393803	SUPPORT, SINGLE-WING BOARD (.1	M22 -	GDS81005CXAA	
			M23 -	GDS81005CXBA	
			M24 -	GDS81005CXBB	

# Heat Exchanger Assy





# Heat Exchanger Assy

Ref. Part No: No:	Description:	Ref. Part No: No:	Description:																								
<i>Image 1:</i>		<i>Image 1:</i>																									
11 0270F00900	HEAT EXCHANGER ASSY (M1, M2, M3, M4, M5, M6)	151 20162901	LIMIT (M20, M21, M23, M24)																								
11 0270F00901	HEAT EXCHANGER ASSY (M7, M8, M9, M10, M11, M12)	151 0130F00036	PRIMARY LIMIT - PINK (M2, M3, M5, M6, M8, M9, M11, M12, M13, M14, M15, M16, M17, M18, M19, M22)																								
11 0270F00902	HEAT EXCHANGER ASSY (M13, M14, M15, M16, M17, M18)	151 0130F00035	PRIMARY LIMIT - PURPLE 220° (M1, M4, M7, M10)																								
11 0270F00903	HEAT EXCHANGER ASSY (M19, M20, M21, M22, M23, M24)	161 4028000	ORIFICE SHIELD 2 CELL (M1, M2, M3, M4, M5, M6)																								
11 4028003	ORIFICE SHIELD 5 CELL (M19, M20, M21, M22, M23, M24)	161 4028001	ORIFICE SHIELD 3 CELL (M7, M8, M9, M10, M11, M12)																								
21 0121F00327	14" COLLECTOR BOX 1.125" DIA (M2, M3, M5, M6)	161 4028002	ORIFICE SHIELD 4 CELL (M13, M14, M15, M16, M17, M18)																								
21 0121F00364	14" FLUE COLLECTOR BOX 1.5"DIA (M8, M9, M11, M12)	171 0154F00003	VENT MOTOR GASKET 14" (M1, M2, M3, M4, M5, M6, M7, M8, M9, M10, M11, M12)																								
21 0121F00334	21" COLLECTOR BOX 1.625" DIA (M20, M21, M23, M24)	171 0154F00004	VENT MOTOR GASKET 17.5" (M13, M14, M15, M16, M17, M18)																								
21 0121F00126	FLUE COLLECTOR BOX KIT 14" 1.25 DIA (M1, M4)	171 0154F00005	VENT MOTOR GASKET 21" (M19, M20, M21, M22, M23, M24)																								
21 0121F00208	FLUE COLLECTOR BOX KIT 14" 2.5 DIA (M7, M10)	201 DY6.186.070	VENT MOTOR CAPACITOR																								
21 0121F00128	FLUE COLLECTOR BOX KIT 17.5" 1.75 DIA (M14, M15, M17, M18)	<b>Expanded Model Nomenclature</b>																									
21 0121F00201	FLUE COLLECTOR BOX KIT 17.5", 2.5 DIA (M13, M16)	<table border="1"> <tr><td>M1 - GDS80403ANAA</td></tr> <tr><td>M2 - GDS80403ANBA</td></tr> <tr><td>M3 - GDS80403ANBB</td></tr> <tr><td>M4 - GDS80403AXAA</td></tr> <tr><td>M5 - GDS80403AXBA</td></tr> <tr><td>M6 - GDS80403AXBB</td></tr> <tr><td>M7 - GDS80603ANAA</td></tr> <tr><td>M8 - GDS80603ANBA</td></tr> <tr><td>M9 - GDS80603ANBB</td></tr> <tr><td>M10 - GDS80603AXAA</td></tr> <tr><td>M11 - GDS80603AXBA</td></tr> <tr><td>M12 - GDS80603AXBB</td></tr> <tr><td>M13 - GDS80804BNAA</td></tr> <tr><td>M14 - GDS80804BNBA</td></tr> <tr><td>M15 - GDS80804BNBB</td></tr> <tr><td>M16 - GDS80804BXAA</td></tr> <tr><td>M17 - GDS80804BXBA</td></tr> <tr><td>M18 - GDS80804BXBB</td></tr> <tr><td>M19 - GDS81005CNAA</td></tr> <tr><td>M20 - GDS81005CNBA</td></tr> <tr><td>M21 - GDS81005CNBB</td></tr> <tr><td>M22 - GDS81005CXAA</td></tr> <tr><td>M23 - GDS81005CXBA</td></tr> <tr><td>M24 - GDS81005CXBB</td></tr> </table>		M1 - GDS80403ANAA	M2 - GDS80403ANBA	M3 - GDS80403ANBB	M4 - GDS80403AXAA	M5 - GDS80403AXBA	M6 - GDS80403AXBB	M7 - GDS80603ANAA	M8 - GDS80603ANBA	M9 - GDS80603ANBB	M10 - GDS80603AXAA	M11 - GDS80603AXBA	M12 - GDS80603AXBB	M13 - GDS80804BNAA	M14 - GDS80804BNBA	M15 - GDS80804BNBB	M16 - GDS80804BXAA	M17 - GDS80804BXBA	M18 - GDS80804BXBB	M19 - GDS81005CNAA	M20 - GDS81005CNBA	M21 - GDS81005CNBB	M22 - GDS81005CXAA	M23 - GDS81005CXBA	M24 - GDS81005CXBB
M1 - GDS80403ANAA																											
M2 - GDS80403ANBA																											
M3 - GDS80403ANBB																											
M4 - GDS80403AXAA																											
M5 - GDS80403AXBA																											
M6 - GDS80403AXBB																											
M7 - GDS80603ANAA																											
M8 - GDS80603ANBA																											
M9 - GDS80603ANBB																											
M10 - GDS80603AXAA																											
M11 - GDS80603AXBA																											
M12 - GDS80603AXBB																											
M13 - GDS80804BNAA																											
M14 - GDS80804BNBA																											
M15 - GDS80804BNBB																											
M16 - GDS80804BXAA																											
M17 - GDS80804BXBA																											
M18 - GDS80804BXBB																											
M19 - GDS81005CNAA																											
M20 - GDS81005CNBA																											
M21 - GDS81005CNBB																											
M22 - GDS81005CXAA																											
M23 - GDS81005CXBA																											
M24 - GDS81005CXBB																											
21 0121F00200	FLUE COLLECTOR BOX KIT 21" 2.75 DIA (M19, M22)																										
31 0128F00006	CHIMNEY TRANSITION BOTTOM																										
41 0131M00002	VENT MOTOR																										
61 0120F00006	MANIFOLD (M1, M2, M3, M4, M5, M6)																										
61 0120F00007	MANIFOLD (M7, M8, M9, M10, M11, M12)																										
61 0120F00008	MANIFOLD (M13, M14, M15, M16, M17, M18)																										
61 0120F00009	MANIFOLD (M19, M20, M21, M22, M23, M24)																										
71 10716003	ORIFICE (M1, M4, M7, M10, M13, M16, M19, M22)																										
71 B4089345	ORIFICE (M2, M3, M5, M6, M8, M9, M11, M12, M14, M15, M17, M18, M20, M21, M23, M24)																										
81 B4022700	INSHOT BURNER ASSY 3" (QTY A/R)																										
91 0121F00167	BURNER BRACKET 2B (M1, M2, M3, M4, M5, M6)																										
91 0121F00168	BURNER BRACKET 3B (M7, M8, M9, M10, M11, M12)																										
91 0121F00169	BURNER BRACKET 4B (M13, M14, M15, M16, M17, M18)																										
91 0121F00170	BURNER BRACKET 5B (M19, M20, M21, M22, M23, M24)																										
101 0121F00162	BURNER BOX TOP 2 CELL (M1, M2, M3, M4, M5, M6)																										
101 0121F00163	BURNER BOX TOP 3 CELL (M7, M8, M9, M10, M11, M12)																										
101 0121F00164	BURNER BOX TOP 4 CELL (M13, M14, M15, M16, M17, M18)																										
101 0121F00165	BURNER BOX TOP 5 CELL (M19, M20, M21, M22, M23, M24)																										
111 10123529	MANUAL RESET LIMIT																										
121 0121F00146	BURNER BOX SIDE (QTY 2)																										
131 0130F00010	FLAME SENSOR																										
141 20165703	IGNITOR																										