

# HKR 5 SERIES

## ELECTRIC HEAT KITS

### INSTALLATION INSTRUCTIONS

Goodman Manufacturing Company, L.P. © 2007  
5151 San Felipe, Suite 500, Houston, TX 77056  
www.goodmanmfg.com -or- www.amana-hac.com  
P/N: IO-684 Date: June 2007

#### Attention Installing Personnel

As a professional installer, you have an obligation to know the product better than the customer. This includes all safety precautions and related items.

Prior to actual installation, thoroughly familiarize yourself with this Instruction Manual. Pay special attention to all safety warnings. Often during installation or repair, it is possible to place yourself in a position which is more hazardous than when the unit is in operation.

Remember, it is **your** responsibility to install the product safely and to know it well enough to be able to instruct a customer in its safe use.

Safety is a matter of common sense...a matter of thinking before acting. Most dealers have a list of specific good safety practices...follow them.

The precautions listed in this Installation Manual are intended as supplemental to existing practices. However, if there is a direct conflict between existing practices and the content of this manual, the precautions listed here take precedence.

#### Description

The following installation instructions supplement is for the HKR heater kits for installation in the following models:

**PC\*\*\*/PH\*\*\* Series, 50 Hz, 3-phase**  
**Dedicated Horizontal Package Equipment Installation**

**IMPORTANT NOTE:** A separate power supply is required for the HKR heater kit.

Check for physical damage. If any is observed, **DO NOT** install this kit.



#### WARNING

FAILURE TO FOLLOW THESE INSTRUCTIONS CAN CAUSE FIRE, EXPLOSION, ELECTRICAL SHOCK, PROPERTY DAMAGE OR PERSONAL INJURY.

ENSURE THAT **ALL** POWER IS DISCONNECTED PRIOR TO ATTEMPTING INSTALLATION OF THIS HEATER KIT. **BE MINDFUL** THAT THERE MAY BE MORE THAN ONE DISCONNECT SERVICING THIS EQUIPMENT.


**WHEN** INSTALLED IN A GARAGE, THE ELEMENTS MUST BE AT LEAST 18" ABOVE THE FLOOR.


**IF** THIS APPLIANCE IS INSTALLED IN AN ENCLOSED AREA, SUCH AS A GARAGE OR UTILITY ROOM, WITH ANY **CARBON MONOXIDE (CO)** PRODUCING APPLIANCE (I.E. AUTOMOBILE, FURNACE, WATER HEATER, ETC.), ENSURE THE AREA IS PROPERLY VENTILATED.

**A** MEANS OF STRAIN RELIEF AND CONDUCTOR PROTECTION MUST BE PROVIDED AT THE SUPPLY WIRE ENTRANCE.

**THIS** APPLIANCE MUST BE INSTALLED FOLLOWING THE ANSI/NFPA70 (NATIONAL ELECTRICAL CODE) AND OTHER APPLICABLE CODES. **IF** IN DOUBT, CONTACT THE LOCAL AUTHORITY HAVING JURISDICTION.

**USE COPPER CONDUCTORS ONLY**

**DANGER**  
**PELIGRO**



**CARBON MONOXIDE POISONING HAZARD**

Special Warning for Installation of Furnaces or Air Handling Units in Enclosed Areas such as Garages, Utility Rooms or Parking Areas

Carbon monoxide producing devices (such as an automobile, space heater, gas water heater, etc.) should not be operated in enclosed areas such as unventilated garages, utility rooms or parking areas because of the danger of carbon monoxide (CO) poisoning resulting from the exhaust emissions. If a furnace or air handler is installed in an enclosed area such as a garage, utility room or parking area and a carbon monoxide producing device is operated therein, there must be adequate, direct outside ventilation.

This ventilation is necessary to avoid the danger of CO poisoning which can occur if a carbon monoxide producing device continues to operate in the enclosed area. Carbon monoxide emissions can be (re)circulated throughout the structure if the furnace or air handler is operating in any mode.

CO can cause serious illness including permanent brain damage or death.

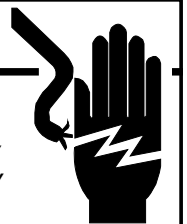
B10259-216



#### WARNING

#### HIGH VOLTAGE

**DISCONNECT ALL POWER BEFORE SERVICING OR INSTALLING THIS UNIT. MULTIPLE POWER SOURCES MAY BE PRESENT. FAILURE TO DO SO MAY CAUSE PROPERTY DAMAGE, PERSONAL INJURY OR DEATH.**

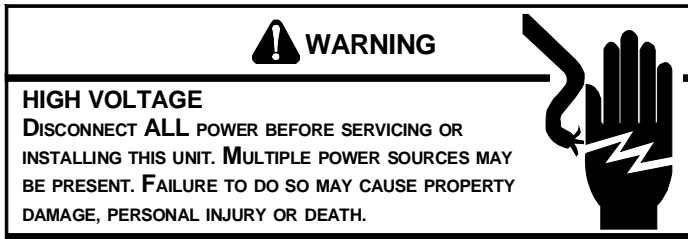


#### CAUTION

**TO AVOID POSSIBLE PERSONAL INJURY, USE EXTREME CAUTION IF USING POWER TOOLS TO REMOVE THE SMALL BREAKER MOUNTING BRACKETS. THE BRACKETS MAY QUICKLY ROTATE AND CAUSE INJURY.**

The supply power must be in the off position. There may be more than one means of disconnect servicing this product.



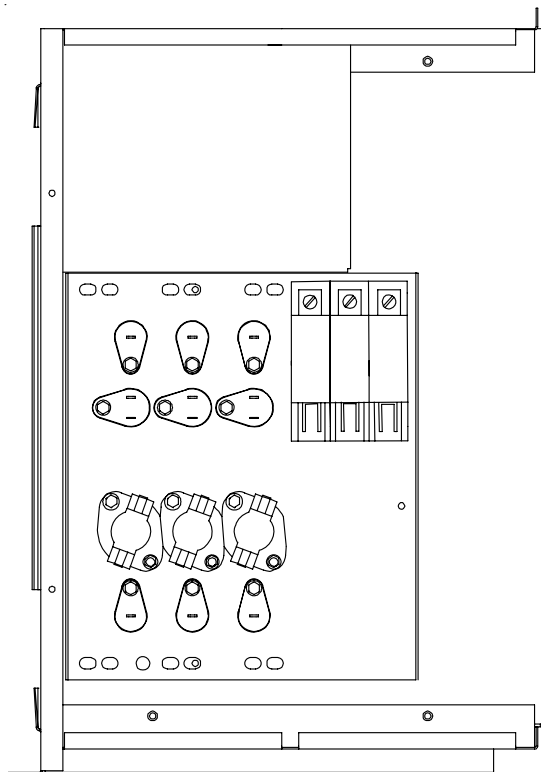


**IMPORTANT NOTE:** The power leads must be routed through the outer cabinet with a watertight electrical connector, sized appropriately for the electrical power supply. (See NEC, National Electric Code.)

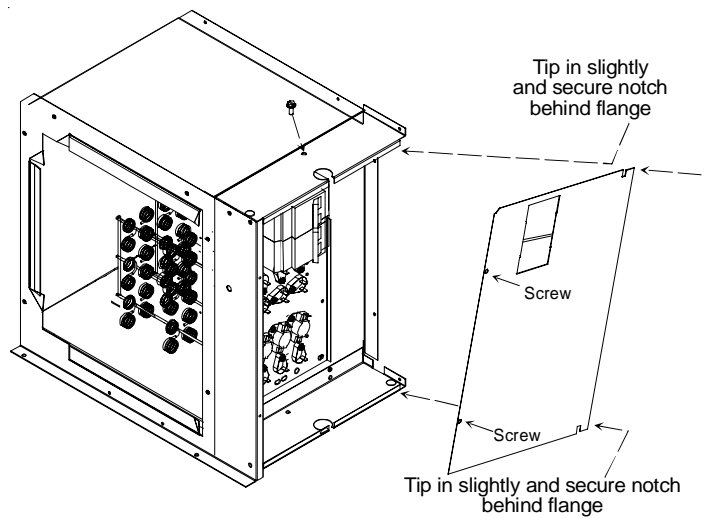
1. Disconnect all power to the unit, both indoor and outdoor.
2. Remove the control box cover and blower panel.
3. Remove cover to the electric heat kit box.
4. Break out appropriate knockout for electric heat kit based on KW of element (# of elements).
5. Slide the heater kit into the slot following the direction of airflow decal for package unit operation attached to the heater faceplate and secure with screws provided.

8. Remove the protection plug side (male plug) and discard. Insert the one provided in the electric heat kit. It can be inserted in one position only.
9. Insert the ground wire into the lug(s) provided for that purpose.
10. Replace electric heat kit cover. **NOTE:** To replace the electric heat kit cover, slightly tip the cover and insert only the notches under the flanges on the top and bottom of the box. Secure with screws. See Figure B.

Ensure breaker is in the ON position. Replace blower panel cover and check operation through the room thermostat.



**Figure A**



**Figure B**

6. Insert the power leads into the lugs provided on the contactor and tighten.

11. RESTORE POWER.
12. Apply the wiring diagram provided for package unit models adjacent to the wiring diagram supplied on the inside of the unit control box cover.
13. When proper operation is ensured, replace the control box cover and resume normal operation.

Visit our websites at [www.goodmanmfg.com](http://www.goodmanmfg.com) or [amana-hac.com](http://amana-hac.com) for information on:

- Products
- Warranties
- Customer Services
- Parts
- Contractor Programs and Training
- Financing Options