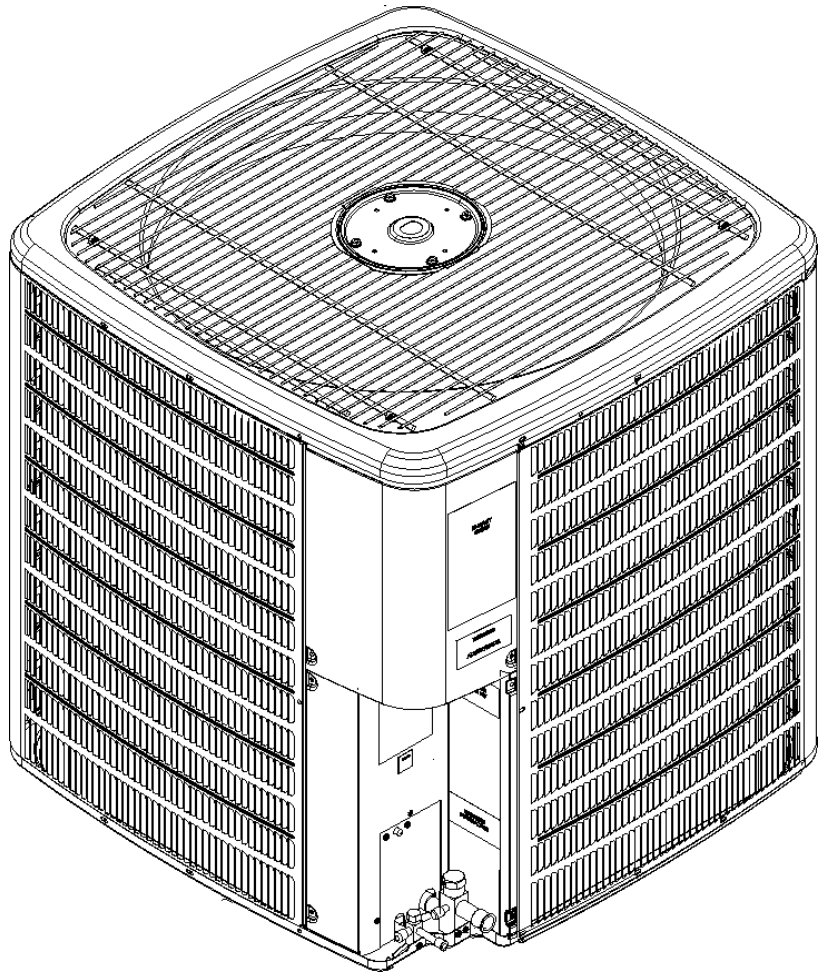


REPAIR PARTS

DSZC16/18 Remote Heat Pumps

DSZC160481AE
DSZC160601BC
DSZC180481AD
DSZC180601BB



This manual is to be used by qualified technicians only.

© 2013 Goodman Manufacturing Company, L.P. ♦ 5151 San Felipe, Suite 500 ♦ Houston, TX 77056

Important Information

Index

Functional Parts List	3
Illustration and Parts	4 - 9

Views shown are for parts illustrations only, not servicing procedures

Text Codes:

AR - As Required

NA - Not Available

NS - Not Shown

00000000 - See Note

QTY - Quantity Example (QTY 3) (If Quantity not shown, Quantity = 1)

M - Model Example (M1) (If M Code not shown, then part is used on all Models)

Expanded Model Nomenclature:

Example M1 - Model#1 M2 - Model#2 M3 - Model#3

Goodman Manufacturing Company, L.P. is not responsible for personal injury or property damage resulting from improper service. Review all service information before beginning repairs.

Warranty service must be performed by an authorized technician, using authorized factory parts. If service is required after the warranty expires, Goodman Manufacturing Company, L.P. also recommends contacting an authorized technician and using authorized factory parts.

Goodman Manufacturing Company, L.P. reserves the right to discontinue, or change at any time, specifications or designs without notice or without incurring obligations.

For assistance within the U.S.A. contact:
Consumer Affairs Department
Goodman Manufacturing Company, L.P.
7401 Security Way
Houston, Texas 77040
877-254-4729-Telephone
713-863-2382-Facsimile

For assistance outside the U.S.A. contact:
International Division
Goodman Manufacturing Company, L.P.
7401 Security Way
Houston, Texas 77040
713-861-2500-Telephone
713-863-2382-Facsimile

Functional Parts

Part

No: Description:

B12825171	3/8 BASE VALVE (OPEN)
CAP050400440CT	CAP, 5/40 MFD/440V/DUAL RD (M2, M4)
CAP050300440RS	CAPACITOR 5/30/370V (M1, M3)
ZPS49K5EPFV130	COMP, 49100,208/230/60/1 (M2, M4)
ZPS40K5EPFV130	COMP,41100,208/230/60/1 (M1, M3)
0131M00115	COND MOTOR 1/6 HP, 2 SP, 8 PL (M1, M2)
0131M00401	COND MOTOR-ECM (M3, M4)
0130M00106	CONTROL, DEFROST
10625738	FAN BLADE 26" ALUM CCW (M1, M2)
0150M00010	FAN BLADE 26" ALUM CCW (M3, M4)
0163R00007	HEATER, CRANKCASE 230V, 40W
0130R00003	HIGH PRESSURE SWITCH
0130R00002	LOW PRESSURE SWITCH
0130M00054	OUTDOOR AIR TEMP SENSOR
0130M00053	OUTDOOR COIL TEMP SENSOR
PCBHR103	PCB, Control Board
0130R00034	SHARED DATA (M2)
0130R00036	SHARED DATA (M3)
0130R00033	SHARED DATA (M1)
0130R00037	SHARED DATA (M4)
0151R00033	VALVE, BASE 7/8" OPEN LEFT

SPECIAL PARTS

0161R00009P NAMEPLATE

Expanded Model Nomenclature

M1 - DSZC160481AE

M2 - DSZC160601BC

M3 - DSZC180481AD

M4 - DSZC180601BB

Cabinet Top / Side Panels

IMAGE 1

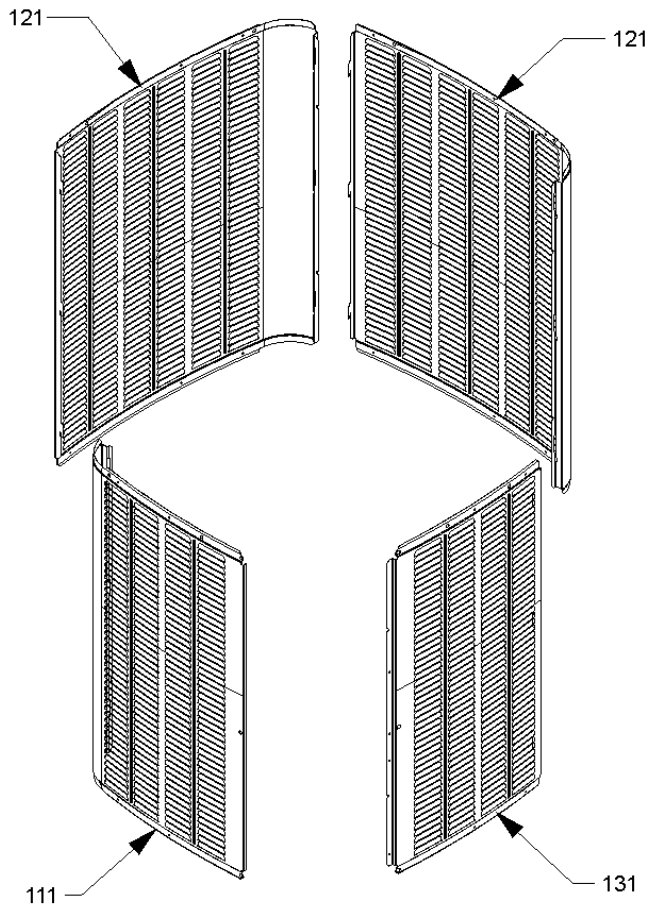
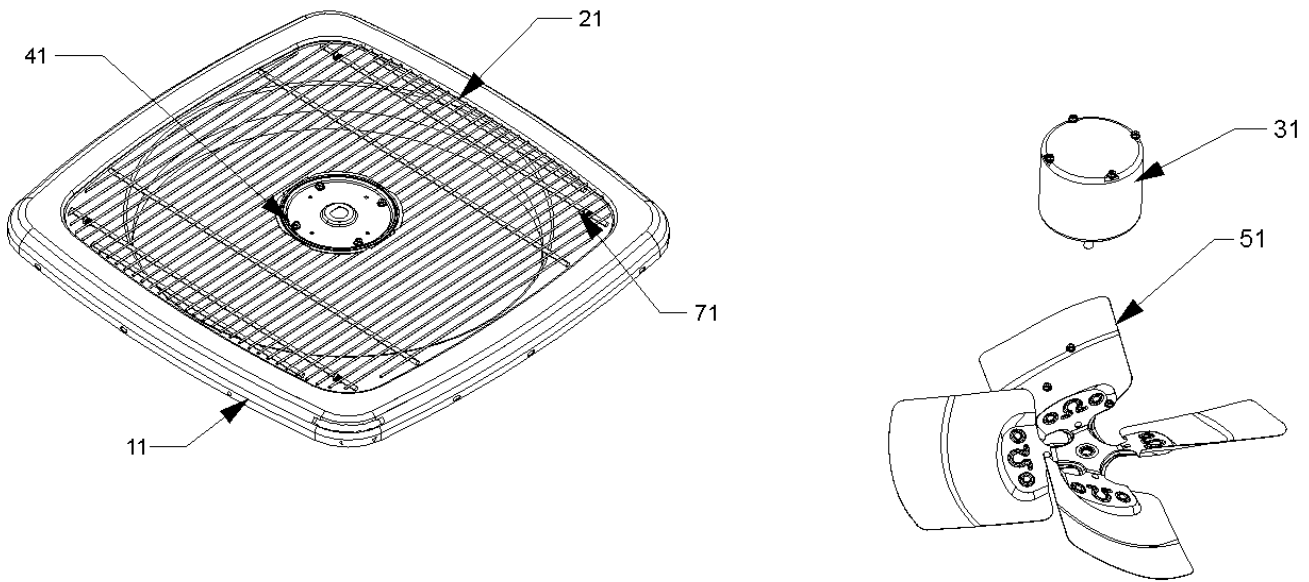
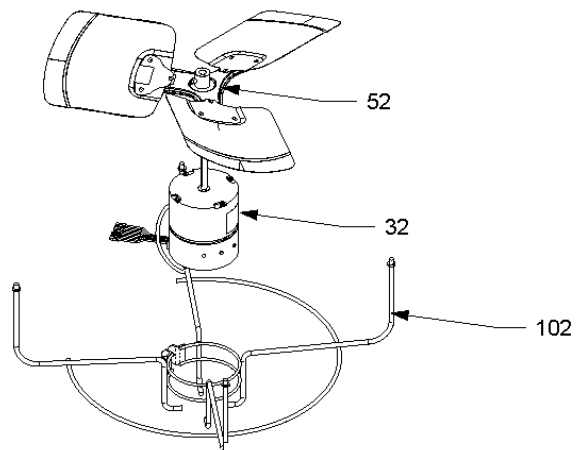


IMAGE 2



Cabinet Top / Side Panels

Ref. Part No: No:	Description:	Ref. Part No: No:	Description:
-------------------	--------------	-------------------	--------------

Image 1:

11	0121R00013PDG	VENTURI TOP PANEL 35"
21	0152R00012	GRILLE, WIRE 35" TOP
31	0131M00115	COND MOTOR 1/6 HP, 2 SP, 8 PL (M1, M2)
41	M0280801	HEX NUT (M1, M2)
51	10625738	FAN BLADE 26" ALUM CCW (M1, M2)
71	0163M00003P	SCREW #10 X 1/2, A, SLOT, SR, BLACK (QTY 8)
111	0121R00043PDGB	LOUVERED SIDE PANEL [LT OF CNTL PNL] (M1, M2)
111	0270R00484DGB	LOUVERED SIDE PANEL [LT OF CNTL PNL] (M3, M4)
121	0121R00047PDGB	LOUVERED SIDE PANEL (M1, M2)
121	0270R00485DGB	LOUVERED SIDE PANEL (M3, M4)
131	0121R00051PDG	LOUVERED SIDE PANEL [RT OF CNTL PNL] (M1, M2)
131	0270R00486DG	LOUVERED SIDE PANEL [RT OF CNTL PNL] (M3, M4)
NS	0161R00004P	CONDUIT (M1, M2)

Image 2:

32	0131M00401	COND MOTOR-ECM (M3, M4)
52	0150M00010	FAN BLADE 26" ALUM CCW (M3, M4)
102	0121R00301	BRACKET, MOTOR MOUNT (M3, M4)
NS	B1393024	LOCK NUT (M3, M4)

Expanded Model Nomenclature

M1 - DSZC160481AE
M2 - DSZC160601BC
M3 - DSZC180481AD
M4 - DSZC180601BB

Control & Access Panel/Cover/Cond Coil

Image 1

*If end bells are needed please order the following:

0131M00182 - 1/2 HP

0131M00183 - 3/4 HP

0131M00184 - 1 HP

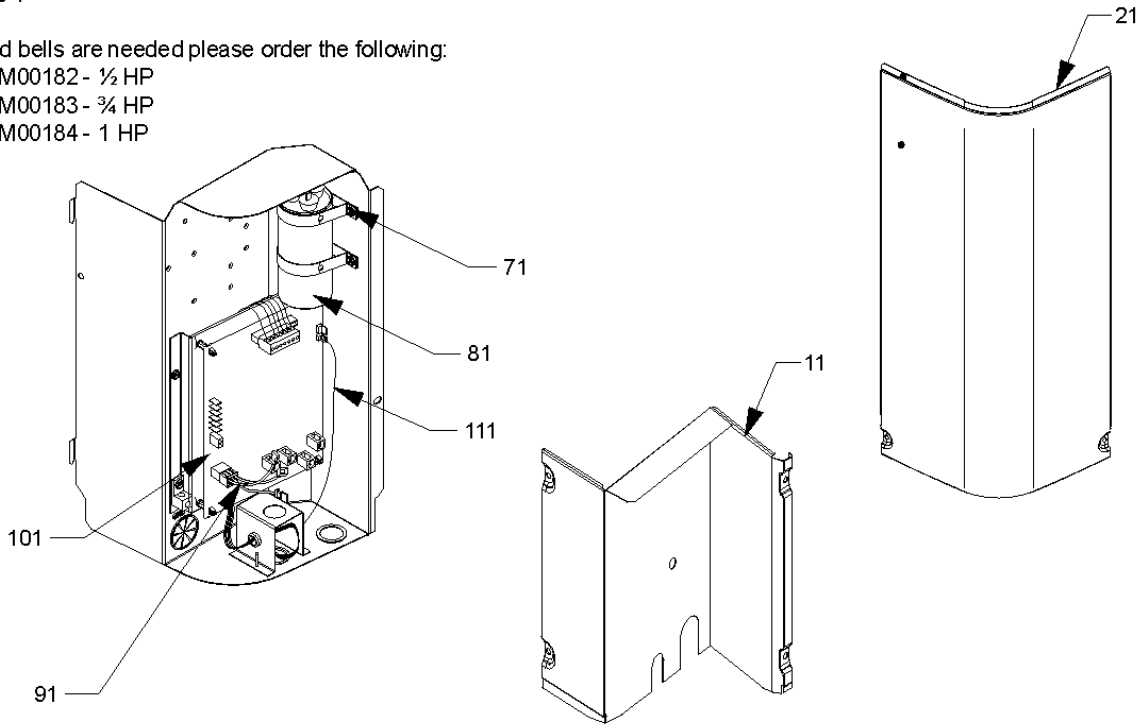
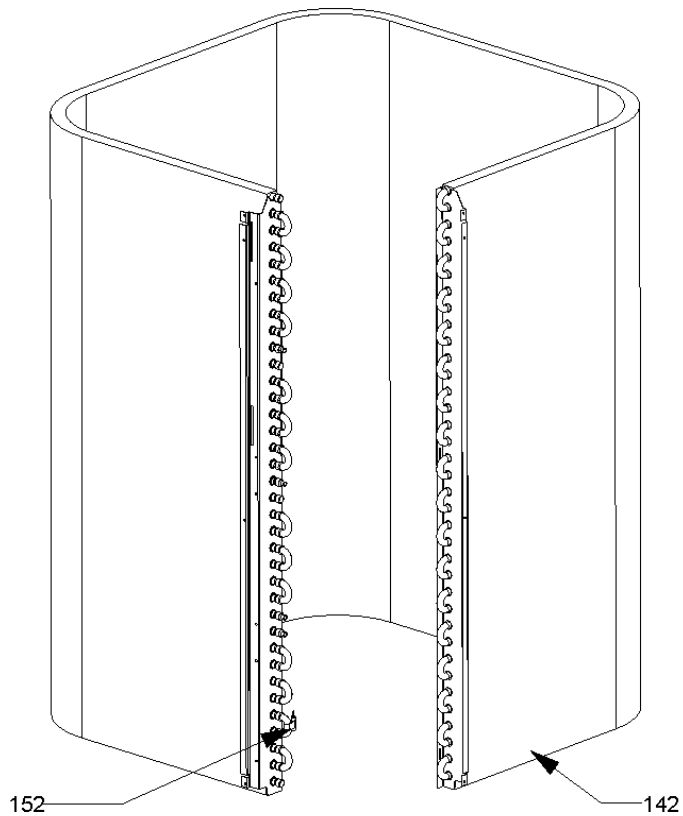


Image 2



Control & Access Panel/Cover/Cond Coil

Ref. Part No: No:	Description:	Ref. Part No: No:	Description:
-------------------	--------------	-------------------	--------------

Image 1:

11	0121R00317	LOWER ACCESS PANEL
21	0121R00054PDG	CONTROL COVER
71	0121R00213	CAPACITOR STRAP (QTY 2)
81	CAP050400440CT	CAP, 5/40 MFD/440V/DUAL RD (M2, M4)
81	CAP050300440RS	CAPACITOR 5/30/370V (M1, M3)
91	0159R00011	WIRE ASSEMBLY, ECM MOTOR (M3, M4)
91	0159R00010	WIRE ASSEMBLY, PSC MOTOR (M1, M2)
101	PCBHR103	PCB, Control Board
111	0130M00054	OUTDOOR AIR TEMP SENSOR
NS	0161R00009P	NAMEPLATE
NS	0130R00033	SHARED DATA (M1)
NS	0130R00034	SHARED DATA (M2)
NS	0130R00036	SHARED DATA (M3)
NS	0130R00037	SHARED DATA (M4)

Image 2:

142	0201R00341	COIL TUBING ASSY
152	0130M00053	OUTDOOR COIL TEMP SENSOR

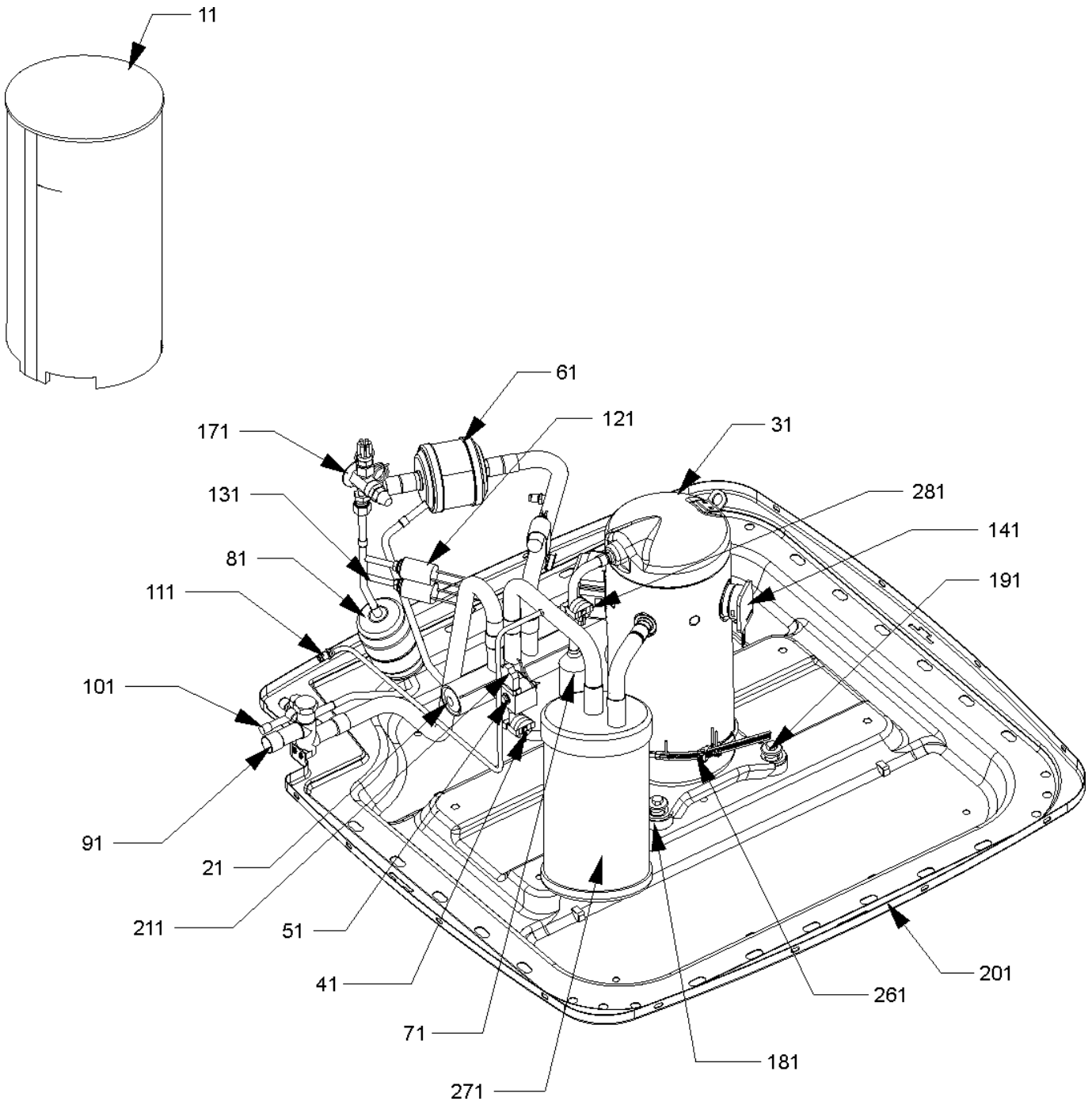
Expanded Model Nomenclature

M1 - DSZC160481AE
M2 - DSZC160601BC
M3 - DSZC180481AD
M4 - DSZC180601BB

*If end bells are needed please order the following:

0131M00182 - 1/2 HP
0131M00183 - 3/4 HP
0131M00184 - 1 HP

Basepan / Compressor / Tubing Assembly



Basepan / Compressor / Tubing Assembly

Ref. Part No: No:	Description:	Ref. Part No: No:	Description:
-------------------	--------------	-------------------	--------------

Image 1:

11	0160M00004	COMPRESSOR SOUND BLANKET (M1, M3)
11	0160M00005	COMPRESSOR SOUND BLANKET (M2, M4)
21	0151M00021	REVERSING VALVE
31	ZPS49K5EPFV130	COMP, 49100,208/230/60/1 (M2, M4)
31	ZPS40K5EPFV130	COMP,41100,208/230/60/1 (M1, M3)
41	11046710	DISC-THERMOSTAT
51	B1225022	SOLENOID COIL
61	20270812	COMPENSATOR
71	0162R00007	MUFFLER 1/2 X 1/2
81	20485201	BI-FLOW FILTER DRIER
91	0151R00033	VALVE, BASE 7/8" OPEN LEFT
101	B12825171	3/8 BASE VALVE (OPEN)
111	B1787000	VALVE CORE
121	0130R00003	HIGH PRESSURE SWITCH
131	0130R00002	LOW PRESSURE SWITCH
141	0130M00005P	WIRE HARNESS, COMPRESSOR SOLENOID
171	0151M00010	TXV VALVE
181	0164M00018	COMPRESSOR GROMMET (M3, M4)
181	B1339533	COMPRESSOR GROMMET (M1, M2)
191	M0221641	TF SHOULDER SCREW (QTY 4)
201	0121R00007PDG	BASE PAN 35"
211	0130M00084	SOLENOID HARNESS W/1/4" TERM
261	0163R00007	HEATER, CRANKCASE 230V, 40W
271	0151L00010	ACCUMULATOR
281	0130M00106	CONTROL, DEFROST
NS	B1373305	ACCESS FITTING
NS	0163M00175	CAP WITH O-RING
NS	B1796633	TEFLON O-RING (QTY 2)

Expanded Model Nomenclature

M1 - DSZC160481AE
M2 - DSZC160601BC
M3 - DSZC180481AD
M4 - DSZC180601BB