



REPAIR PARTS

CSCF Horizontal Coils

CSCF1824N6AA
CSCF1824N6BA
CSCF3036N6AA
CSCF3036N6BA
CSCF3642N6AA
CSCF3642N6CA
CSCF4860N6AA
CSCF4860N6CA



Goodman Manufacturing Company, L.P.
5151 San Felipe, Suite 500
Houston, TX 77056

www.goodmanmfg.com

RP-375B
August 2007

Important Information

Index

Functional Parts List	3
Illustration and Parts	4 - 5

Views shown are for parts illustrations only, not servicing procedures

Rev. B: Added models CSCF1824N6BA, CSCF3036N6BA, CSCF3642N6CA, and CSCF4860N6CA.

Text Codes:

AR - As Required

NA - Not Available

NS - Not Shown

00000000 - See Note

QTY - Quantity Example (QTY 3) (If Quantity not shown, Quantity = 1)

M - Model Example (M1) (If M Code not shown, then part is used on all Models)

Expanded Model Nomenclature:

Example M1 - Model#1 M2 - Model#2 M3 - Model#3

Goodman Manufacturing Company, L.P. is not responsible for personal injury or property damage resulting from improper service. Review all service information before beginning repairs.

Warranty service must be performed by an authorized technician, using authorized factory parts. If service is required after the warranty expires, Goodman Manufacturing Company, L.P. also recommends contacting an authorized technician and using authorized factory parts.

Goodman Manufacturing Company, L.P. reserves the right to discontinue, or change at any time, specifications or designs without notice or without incurring obligations.

For assistance within the U.S.A. contact:
Consumer Affairs Department
Goodman Manufacturing Company, L.P.
7401 Security Way
Houston, Texas 77040
877-254-4729-Telephone
713-863-2382-Facsimile

For assistance outside the U.S.A. contact:
International Division
Goodman Manufacturing Company, L.P.
7401 Security Way
Houston, Texas 77040
713-861-2500-Telephone
713-863-2382-Facsimile

Functional Parts

Part

No: Description:

0162D00003P	FLOWRATOR (M7, M8)
0162D00000P	FLOWRATOR (M1, M2)
0162D00002P	FLOWRATOR (M5, M6)
0162D00001P	FLOWRATOR (M3, M4)
0270D00131	TUBING ASSY, EVAP COIL (M6)
0270D00027P	TUBING ASSY, EVAP COIL (M3)
0270D00028P	TUBING ASSY, EVAP COIL (M5)
0270D00029P	TUBING ASSY, EVAP COIL (M7)
0270D00099	TUBING ASSY, EVAP COIL (M2)
0270D00098	TUBING ASSY, EVAP COIL (M4)
0270D00026P	TUBING ASSY, EVAP COIL (M1)
0270D00132	TUBING ASSY, EVAP COIL (M8)
BT1787000	VALVE CORE

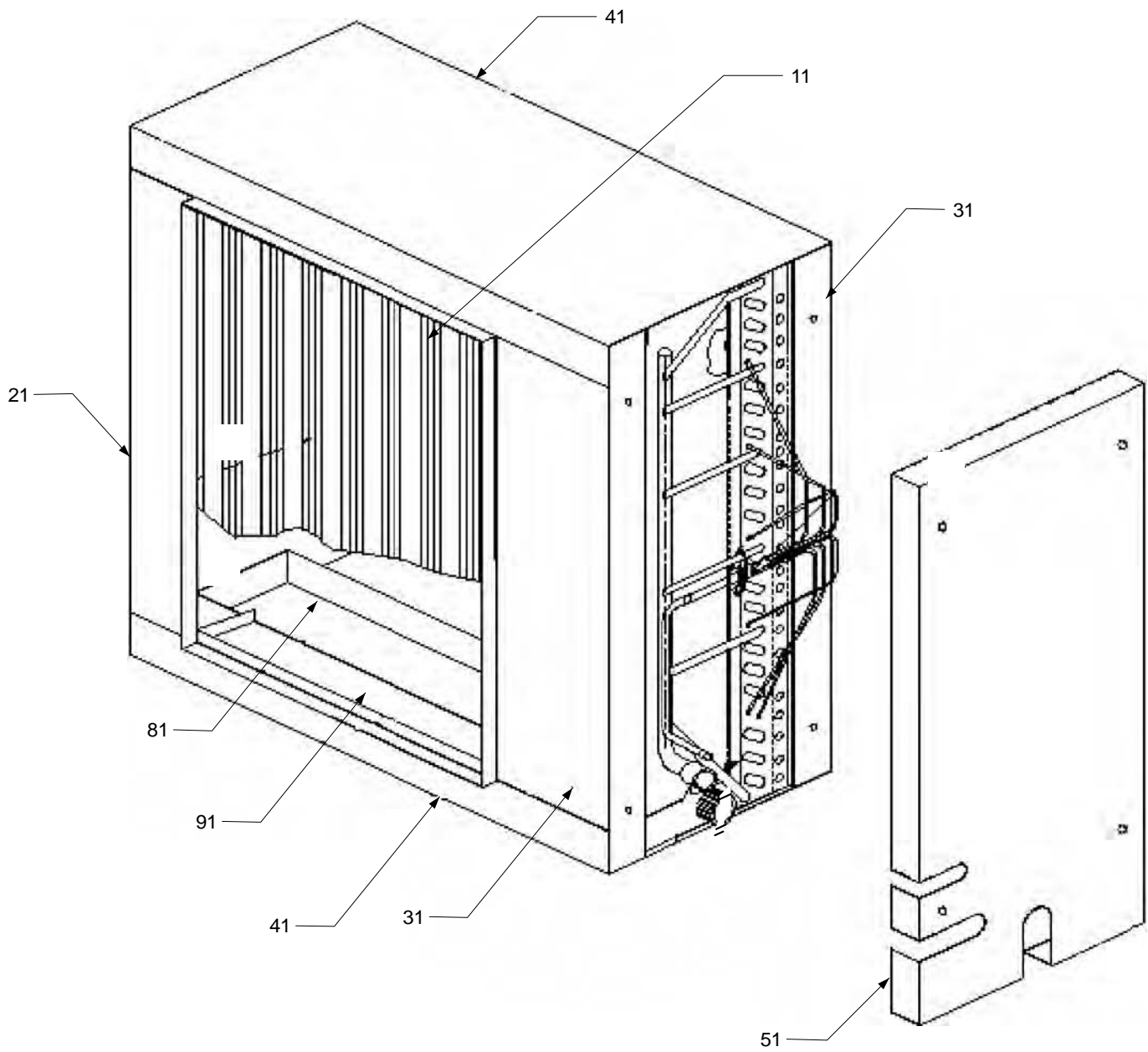
SPECIAL PARTS

IO-283C	INSTALLATION INSTRUCTIONS
PKC-00X	PISTON KIT CHART
RP-375B	REPAIR PARTS MANUAL

Expanded Model Nomenclature

M1 - CSCF1824N6AA
M2 - CSCF1824N6BA
M3 - CSCF3036N6AA
M4 - CSCF3036N6BA
M5 - CSCF3642N6AA
M6 - CSCF3642N6CA
M7 - CSCF4860N6AA
M8 - CSCF4860N6CA

Chassis



Chassis

Ref Part No:	Description:	Ref. Part No:	Description:
<i>Image 1:</i>			
11	0270D00026P		TUBING ASSY, EVAP COIL (M1)
11	0270D00027P		TUBING ASSY, EVAP COIL (M3)
11	0270D00028P		TUBING ASSY, EVAP COIL (M5)
11	0270D00029P		TUBING ASSY, EVAP COIL (M7)
11	0270D00098		TUBING ASSY, EVAP COIL (M4)
11	0270D00099		TUBING ASSY, EVAP COIL (M2)
11	0270D00131		TUBING ASSY, EVAP COIL (M6)
11	0270D00132		TUBING ASSY, EVAP COIL (M8)
21	1567500D		REAR PANEL
31	1567600D		SIDE PANEL (QTY 2)
41	1567700D		BOTTOM/TOP PANEL (M1, M2)
41	1567702D		BOTTOM/TOP PANEL (M3, M4)
41	1567703D		BOTTOM/TOP PANEL (M5, M6, M7, M8)
51	1567900D		ACCESS PANEL
81	B1567824H		ASSY, DRAIN PAN (M1, M2)
81	B1567832H		ASSY, DRAIN PAN (M3, M4)
81	B1567838H		ASSY, DRAIN PAN (M5, M6, M7, M8)
91	3881200		ASSY, WATER BLOW-OFF (M1, M2)
91	3881201		ASSY, WATER BLOW-OFF (M3, M4)
91	3881202		ASSY, WATER BLOW-OFF (M5, M6, M7, M8)
NS	0162D00000P		FLOWRATOR (M1, M2)
NS	0162D00001P		FLOWRATOR (M3, M4)
NS	0162D00002P		FLOWRATOR (M5, M6)
NS	0162D00003P		FLOWRATOR (M7, M8)
NS	BT1787000		VALVE CORE

Expanded Model Nomenclature

- | |
|-------------------|
| M1 - CSCF1824N6AA |
| M2 - CSCF1824N6BA |
| M3 - CSCF3036N6AA |
| M4 - CSCF3036N6BA |
| M5 - CSCF3642N6AA |
| M6 - CSCF3642N6CA |
| M7 - CSCF4860N6AA |
| M8 - CSCF4860N6CA |