



Air Conditioning & Heating

# SUBMITTAL DATA FORM

Job Name \_\_\_\_\_

Location \_\_\_\_\_

Purchaser \_\_\_\_\_

Order No. \_\_\_\_\_

Engineer \_\_\_\_\_

Unit No. \_\_\_\_\_

Model No. \_\_\_\_\_

Unit Designation \_\_\_\_\_

Performance Data Certified By: \_\_\_\_\_



## CPH SERIES

### 7½- TO 12½-TON SELF-CONTAINED PACKAGED HEAT PUMP WITH R-410A

#### Standard Features

- R-410A chlorine-free refrigerant
- High-efficiency scroll compressor
- Copper tube / aluminum fin coils
- Contactor with lugs
- High-capacity, steel-cased filter dryer
- Single-point entry
- 24-volt terminal strip
- Convertible
- Easy to service
- Built-in filter rack with standard 2" filters
- Bottom utility entry
- ARI Certified; ETL Listed

#### Cabinet Features

- Heavy-gauge, galvanized-steel cabinet with UV-resistant powder-paint finish
- Full Perimeter Rail
- Curb Fit

#### Contents

- Performance Data
- Accessories List
- Certified Dimensions
- Individual Accessories Dimensions



\* Complete warranty details available at [www.goodmanmfg.com](http://www.goodmanmfg.com).



# PERFORMANCE DATA

Cooling Performance		
Tota Capacity	_____	MBH
Sensible Capacity	_____	MBH
Outdoor Design TMP	_____	°F DB / WB
Air Temp entering	_____	
Evaporator Coil	_____	°F
Power Input Required (less blower motor)	_____	kW

Heating Performance		
Total Heating Capacity	_____	kW
	_____	BTU/h

Supply Air Blower Performance		
Total Supply Air	_____	CFM
Ext. Static Pressure	_____	IWG
Blower Speed	_____	RPM
Power Output Required	_____	BHP
Motor Ratings	_____	HP
Power Input Required	_____	kW

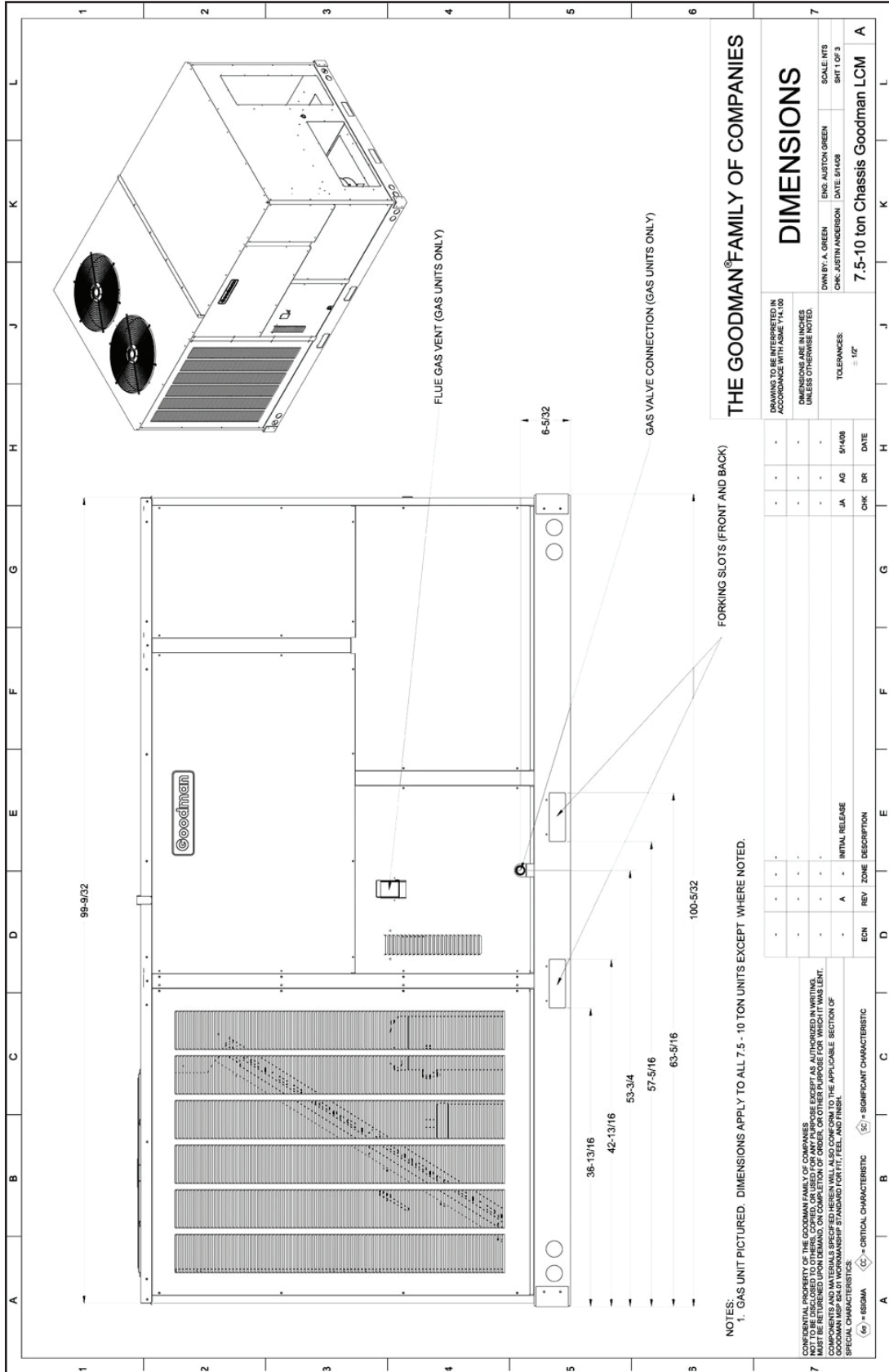
  

Electrical Data		
Power Supply	_____	
Total Unit Amps	_____	Amps
<b>Max Overcurrent Device:</b>		
Fuse	_____	Breaker _____ Amps _____

## ACCESSORIES LIST (DIMENSIONS AND SPECIFICATIONS BEGIN ON PAGE 6.)

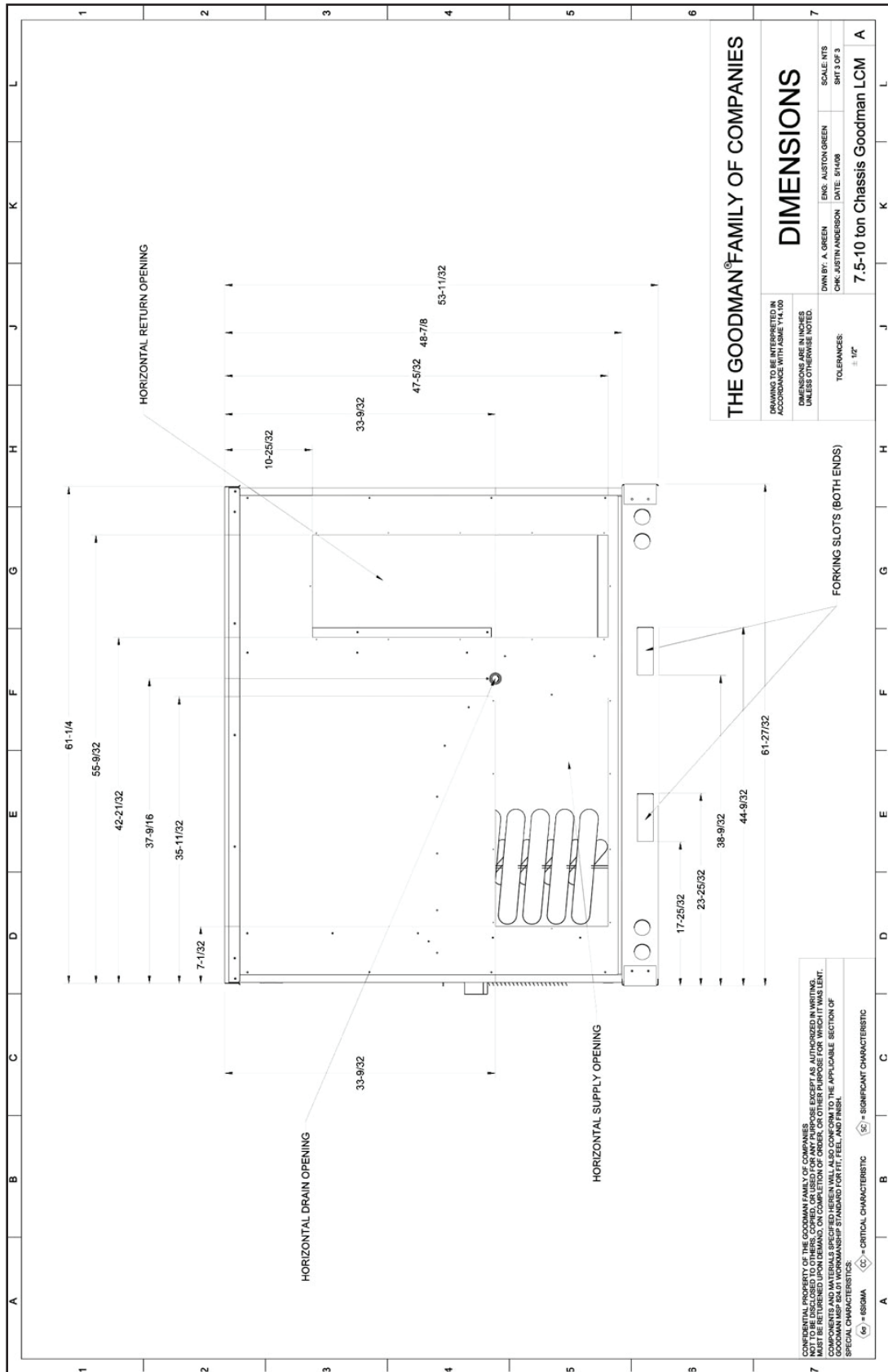
ITEM #	DESCRIPTION	FITS MODEL SIZES	PACKAGE DIMENSIONS ("	SHIP WEIGHT	v
14CURB90150	Roof Curb 14" Tall	7½-12½ tons	16 x 6 x 94	160	
25FD90150	25% Manual Fresh Air Damper	7½-12½ tons	13 x 15½ x 37½	11	
25MFD90150	25% Motorized Fresh Air Damper	7½-12½ tons	13 x 15½ x 37½	12	
BRD90150	Horizontal Barometric Relief Damper	7½-12½ tons			
CDK120	Concentric Duct Kit	10 tons			
CDK150	Concentric Duct Kit	12½ tons			
CDK90102	Concentric Duct Kit	7½-8½ tons	31 x 48 x 18	55	
HailGD02	Condenser Coil Hail Guard	7½ - 10 tons	64 x 52 x 2		
DNECONHP90120	Downflow Economizer	7½-10 tons	40 x 20 x 41	135	
DNSQRRND90	Downflow Square-to-Round Adapter 20" Round	7½ tons	15 x 37½ x 10	16	
HAKT36300	High-Altitude Kit	All Models			
HSKT090	High Static Kit	7½ tons			
HSKT120	High Static Kit	10 tons			
HZECONHP90150	Horizontal Economizer	7½-12½ tons	21 x 21 x 48	110	
LPKT36150	LP Conversion Kit	3 - 12½ tons			

# CERTIFIED DIMENSIONS — SIDE VIEW



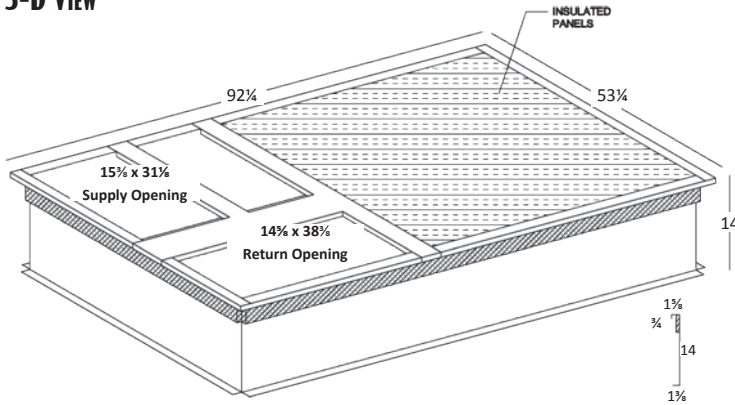


# CERTIFIED DIMENSIONS — END VIEW

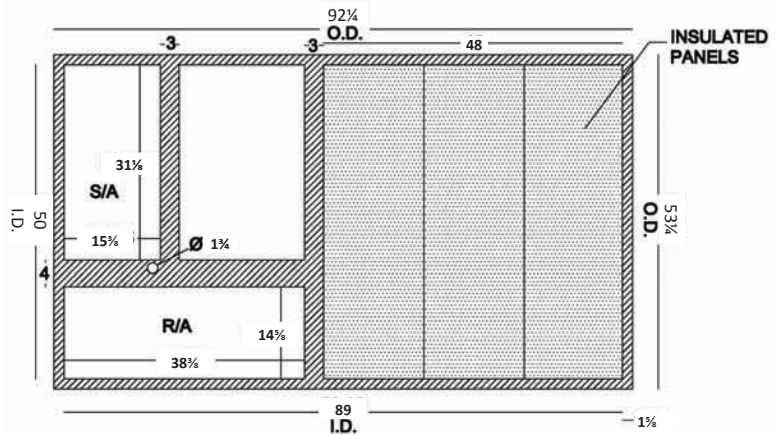


# Roof CURB — #14CURB90150

## 3-D View



## TOP VIEW



## SPECIFICATIONS

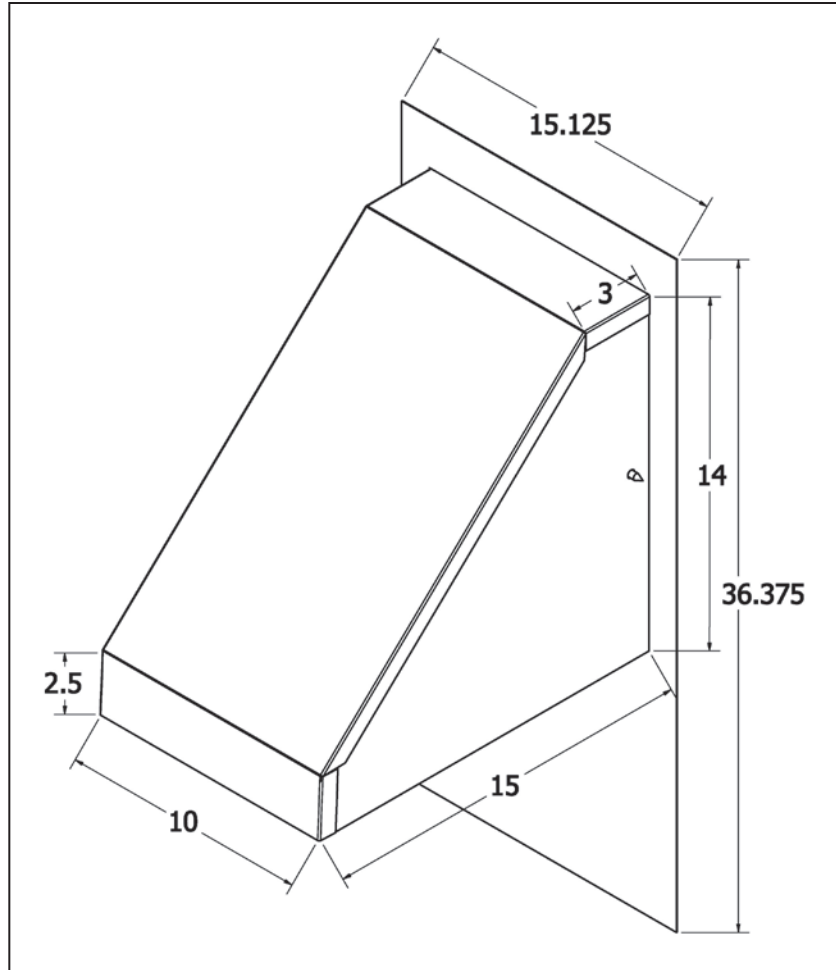
- 18-Gauge Construction
- 1 x 4 Wood Nailer attached to top of the curb
- Shipped knocked down with all hardware
- Gasket included
- Bed-Rail style corners

Note: outside duct dimension should be 1/2" less than opening dimensions above.

## No CURB ADAPTER REQUIRED WHEN REPLACING CARRIER & BRYANT MODELS

No curb adapter is required when replacing an existing Carrier or Bryant RTU with a Goodman RTU in the following situations. The footprints and locations of the return and supply ductwork match.

NEW UNIT	EXISTING CARRIER	EXISTING BRYANT
7 1/2 TONS TO 12 1/2 TONS CPC, CPG, CPH	48/50 TJ, LJ, DJ, QJ 48/50TM, HJ 008 - 014	580C-D, 558C-D, 548C-D 580F, 558F, 581B 090 - 150

**MANUAL FRESH AIR DAMPER — #25FD90150****MOTORIZED FRESH AIR DAMPER — #25MFD90150****SPECIFICATIONS****Manual Damper**

- Provides up to 25% fresh air
- Locking selection knob provides constant opening
- Painted to match the unit
- Fits all 7½- to 12½-ton package units in all fuels

**Motorized Damper**

- 24 VAC Damper motor with spring return
- Fully assembled and factory wired
- Painted to match the unit
- Fits all 7½- to 12½-ton package units in all fuels

# HAIL GUARD — #HAILGD02



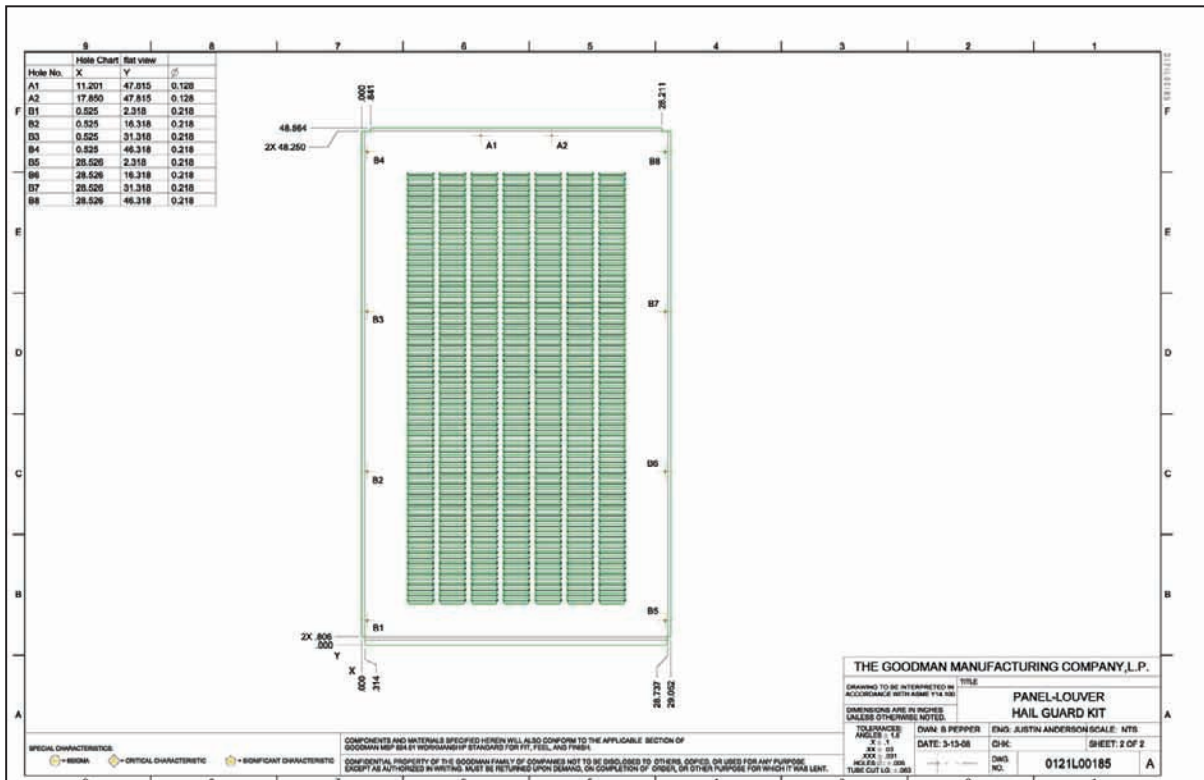
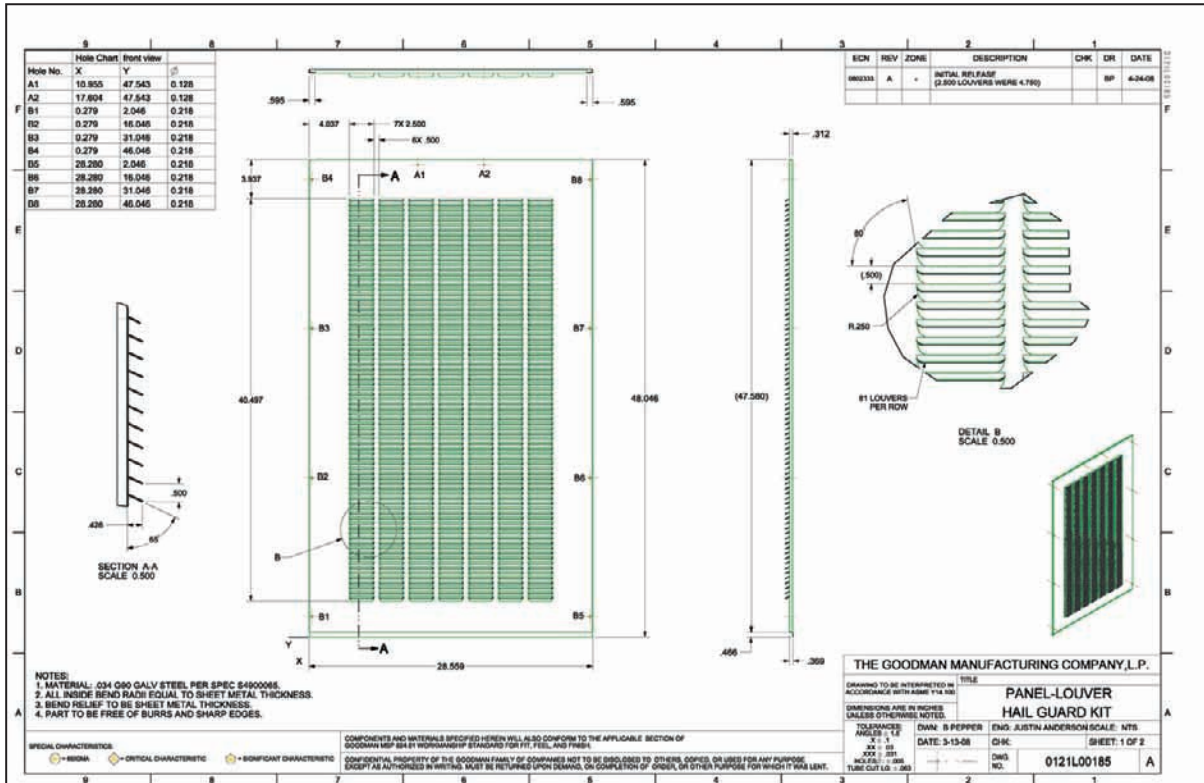
## SPECIFICATIONS

- Condenser coil protection
- Prevents hail damage
- Easy to remove and clean
- Powder paint finish

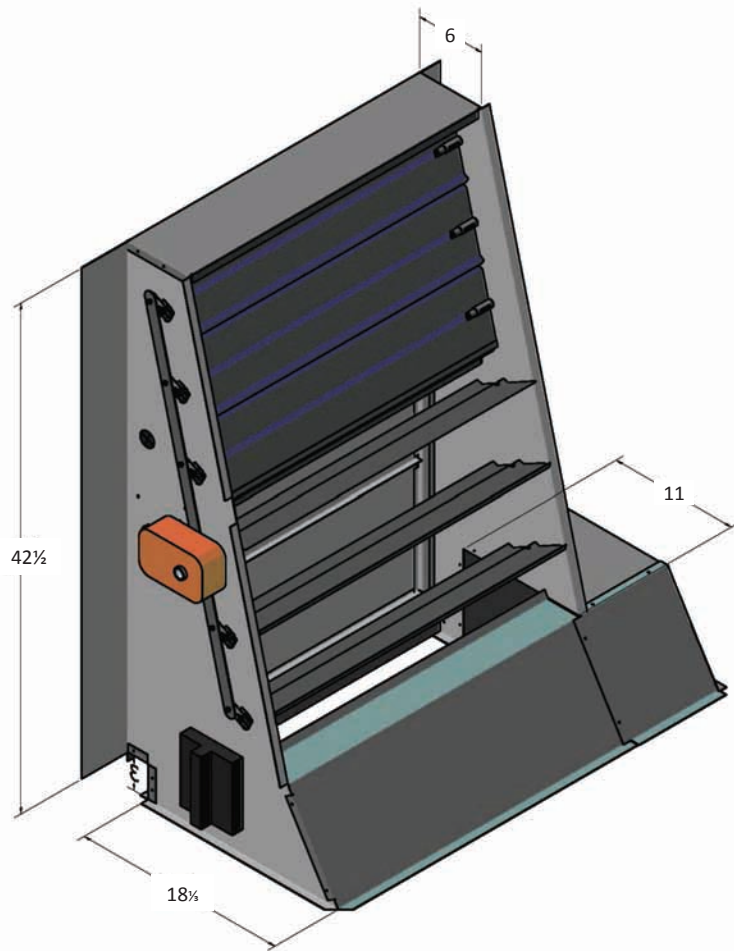
Note: Engineering drawings on following page.



# HAIL GUARD — ENGINEERING DRAWINGS

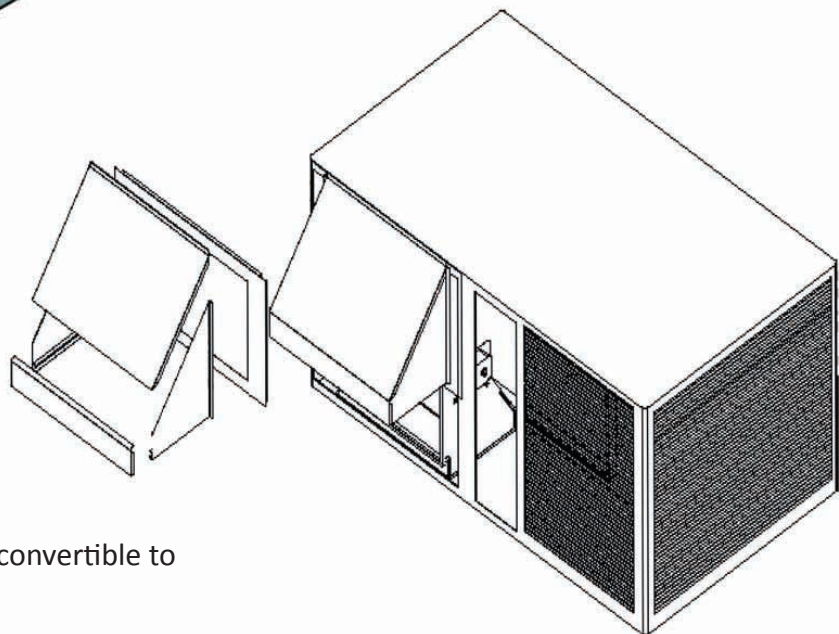


# DOWNFLOW ECONOMIZER — #DNECON\*\*90150

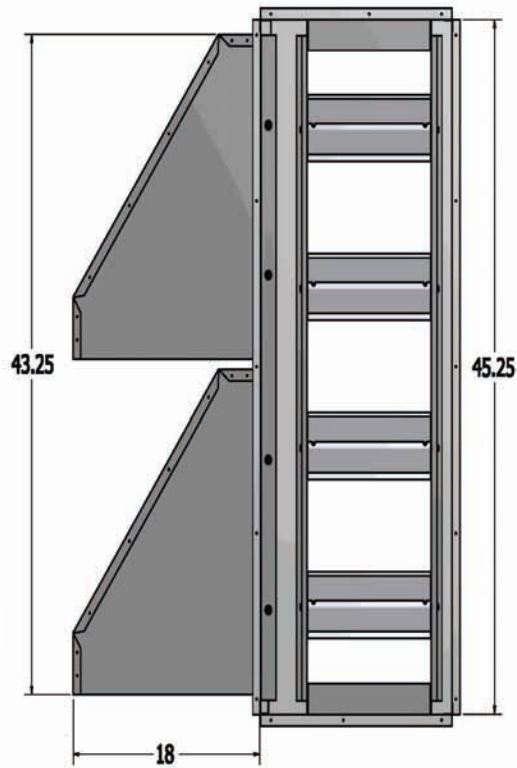
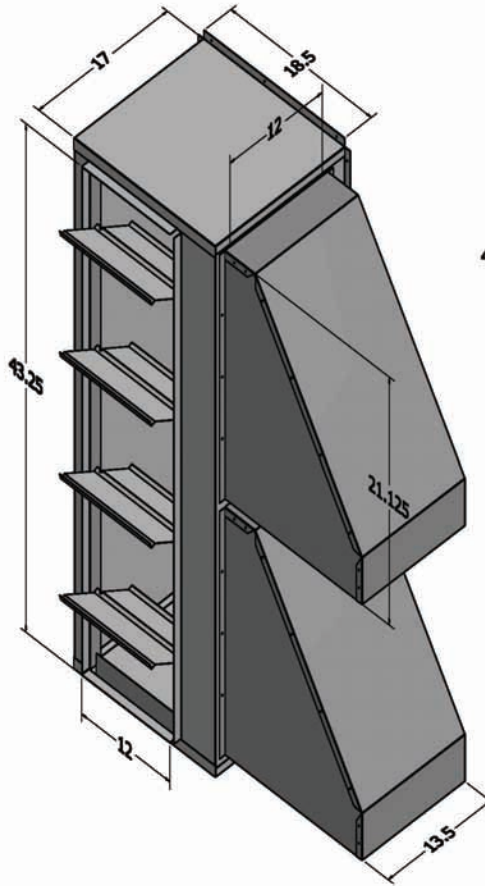


## SPECIFICATIONS

- Fully modulating
- Up to 100% fresh air
- Integral barometric relief
- Hoods painted to match unit
- Honeywell economizer control
- Single adjustable enthalpy control convertible to dual enthalpy
- Adjustable minimum fresh air
- Factory wired
- Fits all 7½- to 12½-ton units

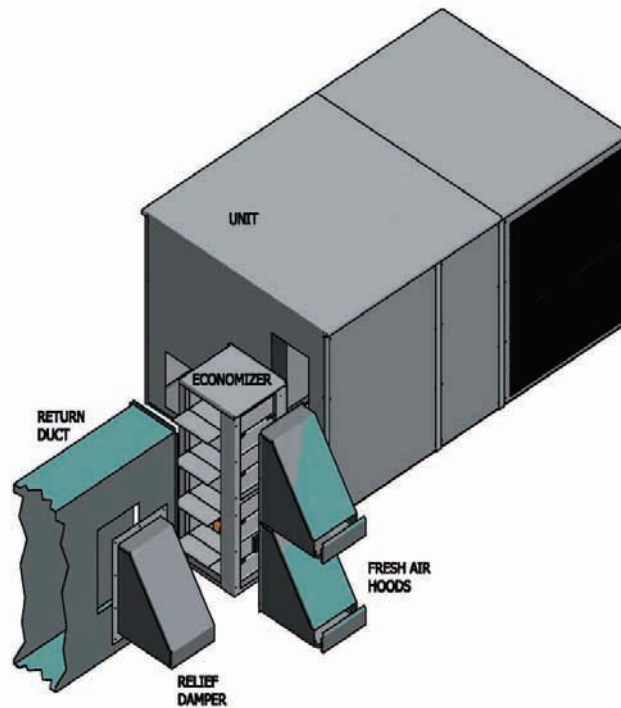


# HORIZONTAL ECONOMIZER — #HZECON\*\*90150

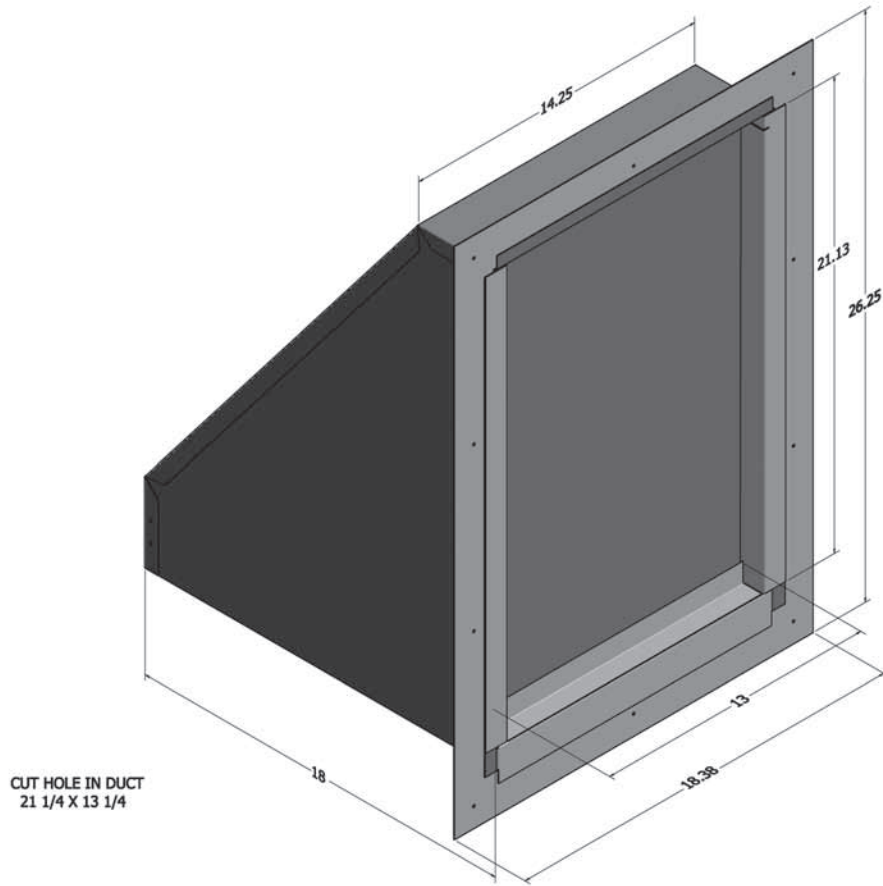


## SPECIFICATIONS

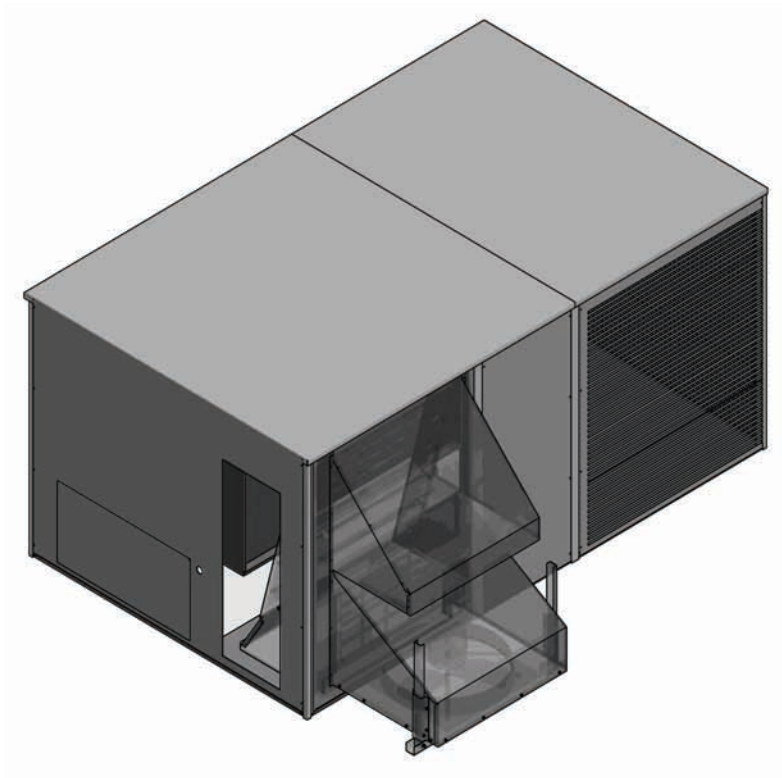
- Fully modulating
- Up to 100% fresh air
- Honeywell economizer control
- Single adjustable enthalpy control convertible to dual enthalpy
- Adjustable minimum fresh air
- Factory wired
- Fits all 7½- to 12½-ton units



# BAROMETRIC RELIEF DAMPER — #BRD90150



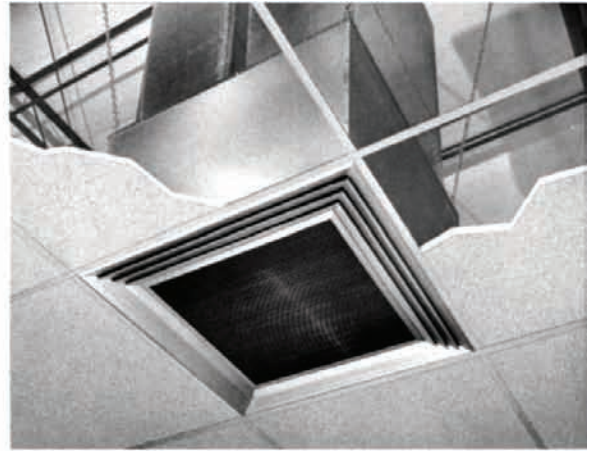
**POWER EXHAUST FOR 208/230v UNITS — #PE901502**  
**POWER EXHAUST FOR 460v UNITS — # PE901504**



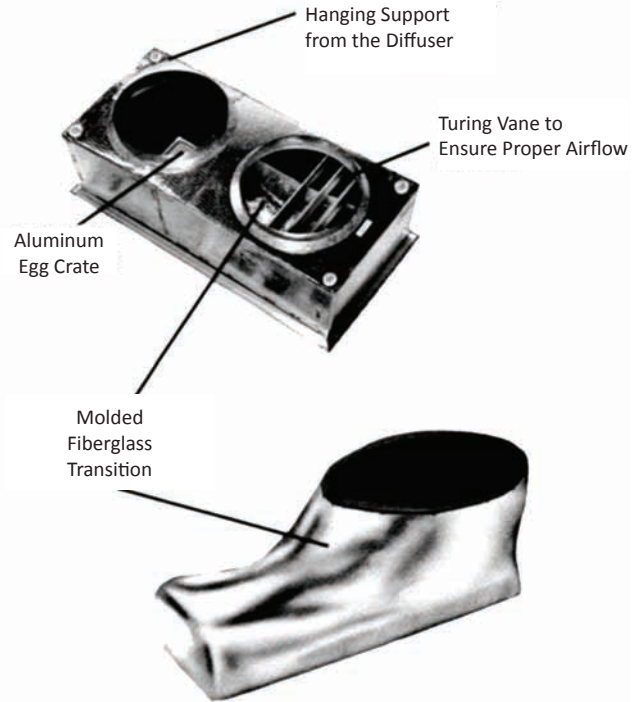
# CONCENTRIC DUCT KIT — #CDK90102 / #CDK120 / #CDK150



Light Commercial  
T-Bar Ceiling



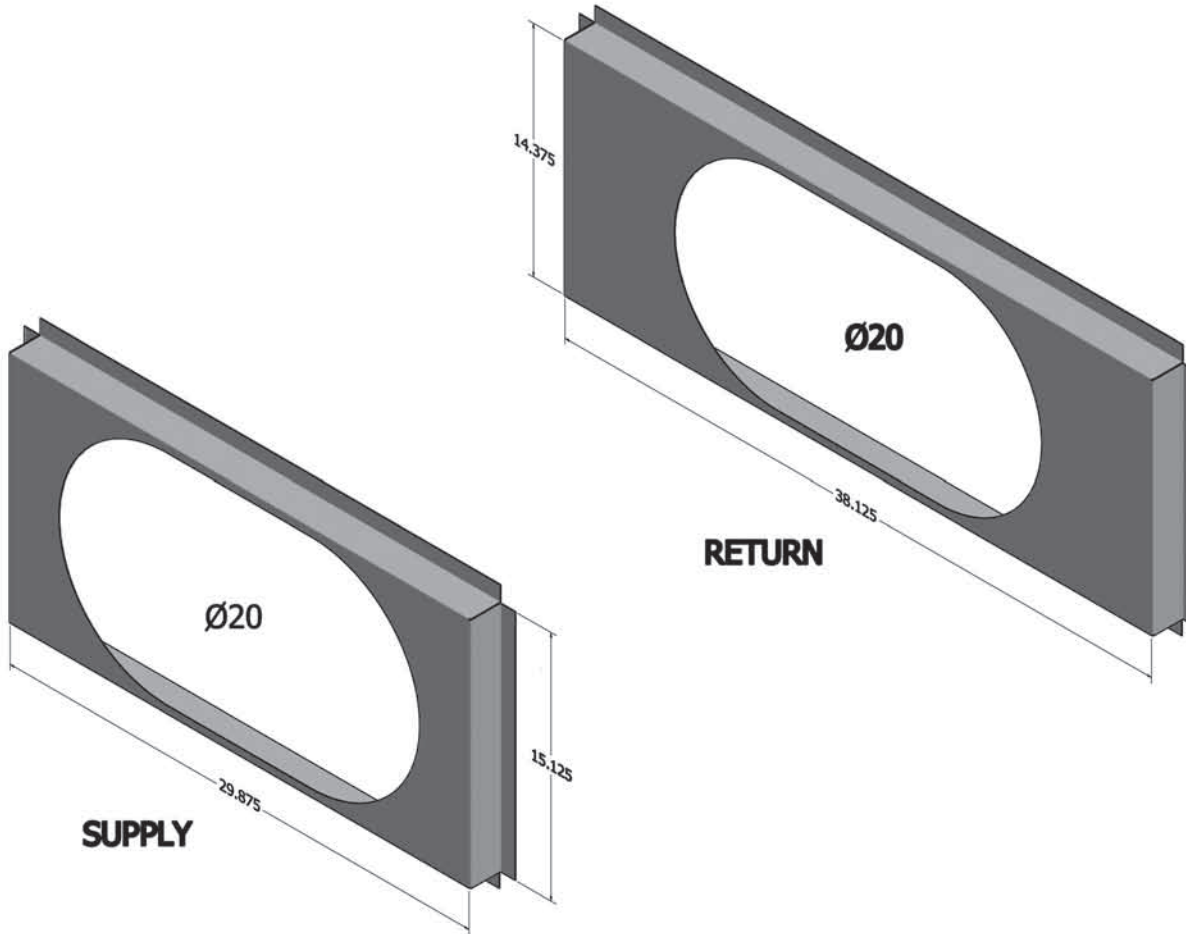
Commercial  
T-Bar Ceiling



## SPECIFICATIONS

- All-aluminum diffuser with aluminum return air egg crate
- Built-in anti-sweat gasket
- Molded fiberglass transition (through five tons)
- Built-in hanging supports
- Diffuser box constructed of fiberglass duct board (through 7½ tons) or sheet metal

# 7½-Ton SQUARE-TO-ROUND — #DNSQRRND90



JOB NAME

LOCATION

# NOTES



*Goodman Manufacturing Company, L.P., reserves the right to discontinue, or change at any time, specifications or designs without notice or without incurring obligations. © 2009 • Goodman Manufacturing Company, L.P. • Houston, Texas • Printed in the USA.*

