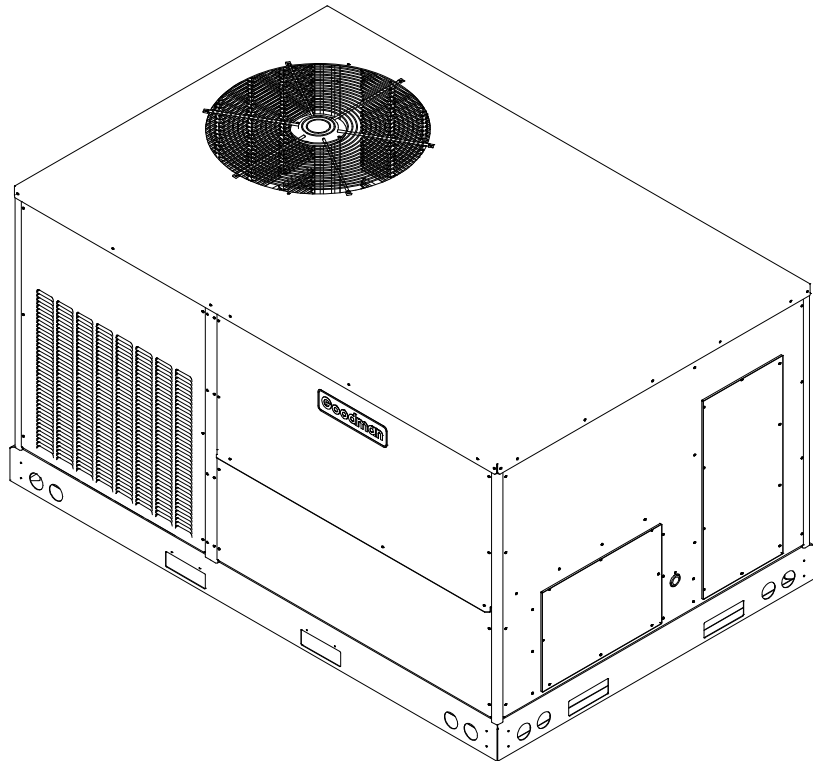


REPAIR PARTS

Light Commercial 3-6 Ton Belt Drive Pkg Heat Pumps

CPH036XXX3BXJXBB
CPH036XXX3BXXXBB
CPH036XXX4BXJXBB
CPH036XXX4BXXXBB
CPH036XXX7BXJXBB
CPH036XXX7BXXXBB
CPH048XXX3BXJXBB
CPH048XXX3BXXXBB
CPH048XXX4BXJXBB
CPH048XXX4BXXXBB
CPH048XXX7BXJXBB
CPH048XXX7BXXXBB
CPH060XXX3BXJXBB
CPH060XXX3BXXXBB
CPH060XXX4BXJXBB
CPH060XXX4BXXXBB
CPH060XXX7BXJXBB
CPH060XXX7BXXXBB
CPH072XXX3BXJXBB
CPH072XXX3BXXXBB
CPH072XXX4BXJXBB
CPH072XXX4BXXXBB
CPH072XXX7BXJXBB
CPH072XXX7BXXXBB



This manual is to be used by qualified technicians only.

© 2010 Goodman Manufacturing Company, L.P. ♦ 5151 San Felipe, Suite 500 ♦ Houston, TX 77056

Important Information

Index

Functional Parts List	3
Illustration and Parts	4 - 15

Views shown are for parts illustrations only, not servicing procedures.

Text Codes:

AR - As Required

NA - Not Available

NS - Not Shown

00000000 - See Note

QTY - Quantity Example (QTY 3) (If Quantity not shown, Quantity = 1)

M - Model Example (M1) (If M Code not shown, then part is used on all Models)

Expanded Model Nomenclature:

Example M1 - Model#1 M2 - Model#2 M3 - Model#3

Goodman Manufacturing Company, L.P. is not responsible for personal injury or property damage resulting from improper service. Review all service information before beginning repairs.

Warranty service must be performed by an authorized technician, using authorized factory parts. If service is required after the warranty expires, Goodman Manufacturing Company, L.P. also recommends contacting an authorized technician and using authorized factory parts.

Goodman Manufacturing Company, L.P. reserves the right to discontinue, or change at any time, specifications or designs without notice or without incurring obligations.

For assistance within the U.S.A. contact:
Consumer Affairs Department
Goodman Manufacturing Company, L.P.
7401 Security Way
Houston, Texas 77040
877-254-4729-Telephone
713-863-2382-Facsimile

For assistance outside the U.S.A. contact:
International Division
Goodman Manufacturing Company, L.P.
7401 Security Way
Houston, Texas 77040
713-861-2500-Telephone
713-863-2382-Facsimile

Functional Parts

Part

No: Description:

0130M00025S	24V RELAY (M3, M4, M5, M6, M9, M10, M11, M12, M15, M16, M17, M18, M21, M22, M23, M24)	0130M00009P	DEFROST THERMOSTAT OPEN 60°, CLOSE 34° (M19, M20, M21, M22, M23, M24)																								
B1368056	BELT DRIVE BLOWER WHEEL	PCBFM131	ELECTRONIC BLOWER TIME DELAY RELAY																								
0131L00003S	BELT DRIVE MOTOR 1 HP (M1, M2, M3, M4, M7, M8, M9, M10, M13, M14, M15, M16)	0130M00074	HIGH PRESSURE SWITCH																								
0131L00004S	BELT DRIVE MOTOR 1.5 HP 575V (M5, M6, M11, M12, M17, M18, M23, M24)	0130M00075	LOW PRESSURE SWITCH																								
B3240007S	BELT DRIVE MOTOR, 230 & 460 / 60HZ 3PH (M19, M20, M21, M22)	0151M00021S	REVERSING VALVE (M7, M8, M9, M10, M11, M12, M13, M14, M15, M16, M17, M18, M19, M20, M21, M22, M23, M24)																								
CAP050000370VAS	CAPACITOR 5/370V	0151M00019S	REVERSING VALVE (M1, M2, M3, M4, M5, M6)																								
ZP31K5ETFE830	COMPRESSOR 31100, 575/60/3 (M5, M6)	B1225022S	SOLENOID COIL																								
ZP31K5ETF5830	COMPRESSOR 31200, 200/230/60/3 (M1, M2)	B1141643	TRANSFORMER 208/230, 24V (M1, M2, M7, M8, M13, M14, M19, M20)																								
ZP31K5ETFD830	COMPRESSOR 31200, 460/60/3 (M3, M4)	B1141672	TRANSFORMER 480V, 75VA, RESETTABLE (M3, M4, M9, M10, M15, M16, M21, M22)																								
ZP39K5ETF5830	COMPRESSOR 39000, 200/230/60/3 (M7, M8)	0130M00045S	TRANSFORMER 575/24V (M5, M6, M11, M12, M17, M18, M23, M24)																								
ZP39K5ETFD830	COMPRESSOR 39000, 460/60/3 (M9, M10)	SPECIAL PARTS																									
ZP39K5ETFE830	COMPRESSOR 39000, 575/60/3 (M11, M12)	IO-399	I & O MANUAL																								
ZP51K5ETF5830	COMPRESSOR 51000, 208/230/60/3 (M13, M14)	B1757910	SUPPLEMENTAL INSERT (EBTDR)																								
ZP51K5ETFD830	COMPRESSOR 51000, 460/60/3 (M15, M16)	Expanded Model Nomenclature																									
ZP51K5ETFE830	COMPRESSOR 51000, 575/60/3 (M17, M18)	<table border="1"> <tbody> <tr><td>M1 - CPH036XXX3BXJXBB</td></tr> <tr><td>M2 - CPH036XXX3BXXXBB</td></tr> <tr><td>M3 - CPH036XXX4BXJXBB</td></tr> <tr><td>M4 - CPH036XXX4BXXXBB</td></tr> <tr><td>M5 - CPH036XXX7BXJXBB</td></tr> <tr><td>M6 - CPH036XXX7BXXXBB</td></tr> <tr><td>M7 - CPH048XXX3BXJXBB</td></tr> <tr><td>M8 - CPH048XXX3BXXXBB</td></tr> <tr><td>M9 - CPH048XXX4BXJXBB</td></tr> <tr><td>M10 - CPH048XXX4BXXXBB</td></tr> <tr><td>M11 - CPH048XXX7BXJXBB</td></tr> <tr><td>M12 - CPH048XXX7BXXXBB</td></tr> <tr><td>M13 - CPH060XXX3BXJXBB</td></tr> <tr><td>M14 - CPH060XXX3BXXXBB</td></tr> <tr><td>M15 - CPH060XXX4BXJXBB</td></tr> <tr><td>M16 - CPH060XXX4BXXXBB</td></tr> <tr><td>M17 - CPH060XXX7BXJXBB</td></tr> <tr><td>M18 - CPH060XXX7BXXXBB</td></tr> <tr><td>M19 - CPH072XXX3BXJXBB</td></tr> <tr><td>M20 - CPH072XXX3BXXXBB</td></tr> <tr><td>M21 - CPH072XXX4BXJXBB</td></tr> <tr><td>M22 - CPH072XXX4BXXXBB</td></tr> <tr><td>M23 - CPH072XXX7BXJXBB</td></tr> <tr><td>M24 - CPH072XXX7BXXXBB</td></tr> </tbody> </table>		M1 - CPH036XXX3BXJXBB	M2 - CPH036XXX3BXXXBB	M3 - CPH036XXX4BXJXBB	M4 - CPH036XXX4BXXXBB	M5 - CPH036XXX7BXJXBB	M6 - CPH036XXX7BXXXBB	M7 - CPH048XXX3BXJXBB	M8 - CPH048XXX3BXXXBB	M9 - CPH048XXX4BXJXBB	M10 - CPH048XXX4BXXXBB	M11 - CPH048XXX7BXJXBB	M12 - CPH048XXX7BXXXBB	M13 - CPH060XXX3BXJXBB	M14 - CPH060XXX3BXXXBB	M15 - CPH060XXX4BXJXBB	M16 - CPH060XXX4BXXXBB	M17 - CPH060XXX7BXJXBB	M18 - CPH060XXX7BXXXBB	M19 - CPH072XXX3BXJXBB	M20 - CPH072XXX3BXXXBB	M21 - CPH072XXX4BXJXBB	M22 - CPH072XXX4BXXXBB	M23 - CPH072XXX7BXJXBB	M24 - CPH072XXX7BXXXBB
M1 - CPH036XXX3BXJXBB																											
M2 - CPH036XXX3BXXXBB																											
M3 - CPH036XXX4BXJXBB																											
M4 - CPH036XXX4BXXXBB																											
M5 - CPH036XXX7BXJXBB																											
M6 - CPH036XXX7BXXXBB																											
M7 - CPH048XXX3BXJXBB																											
M8 - CPH048XXX3BXXXBB																											
M9 - CPH048XXX4BXJXBB																											
M10 - CPH048XXX4BXXXBB																											
M11 - CPH048XXX7BXJXBB																											
M12 - CPH048XXX7BXXXBB																											
M13 - CPH060XXX3BXJXBB																											
M14 - CPH060XXX3BXXXBB																											
M15 - CPH060XXX4BXJXBB																											
M16 - CPH060XXX4BXXXBB																											
M17 - CPH060XXX7BXJXBB																											
M18 - CPH060XXX7BXXXBB																											
M19 - CPH072XXX3BXJXBB																											
M20 - CPH072XXX3BXXXBB																											
M21 - CPH072XXX4BXJXBB																											
M22 - CPH072XXX4BXXXBB																											
M23 - CPH072XXX7BXJXBB																											
M24 - CPH072XXX7BXXXBB																											
ZP61K5ETFE830	COMPRESSOR 61500, 200/230/60/3 (M19, M20)																										
ZP61K5ETFD830	COMPRESSOR 61500, 460/60/3 (M21, M22)																										
ZP61K5ETFE830	COMPRESSOR 61500, 575/60/3 (M23, M24)																										
0131M00008PS	COND MOTOR 1/3 HP, 1 SP, 6 PL (M19, M20)																										
B13400249S	COND MOTOR 1/3 HP, 460V (M21, M22)																										
0131M00007PS	COND MOTOR 1/4 HP, 1 SP, 6 PL (M1, M2, M7, M8, M13, M14)																										
B13400269S	COND MOTOR 380/460 50/60 CYCLE (M3, M4, M9, M10, M15, M16)																										
0131M00100S	COND MOTOR 575V (M23, M24)																										
0131M00098S	COND MOTOR 575V (M5, M6, M11, M12, M17, M18)																										
CONT3P025024VS	CONTACTOR 25 AMP, 3P, 24V (M3, M4, M5, M6, M9, M10, M11, M12, M15, M16, M17, M18, M21, M22, M23, M24)																										
CONT3P030024VS	CONTACTOR 30 AMP, 3P, 24V (M1, M2, M7, M8, M13, M14, M19, M20)																										
0130L00017	CRANK CASE HEATER-70W 240V (M19, M20)																										
0130R00045	CRANKCASE HEATER SWITCH (M19, M20)																										
0230L00002	CRANKCASE HEATER SWITCH (M21, M22, M23, M24)																										
0230L00001	CRANKCASE HEATER, 70W 480V (M21, M22)																										
0230L00003	CRANKCASE HEATER, 70W 575V (M23, M24)																										
PCBDM133	DEFROST CONTROL BOARD																										
0130M00048	DEFROST THERMOSTAT (34°/60°) (M1, M2, M3, M4, M5, M6, M7, M8, M9, M10, M11, M12, M13, M14, M15, M16, M17, M18)																										

Top Panel / Tubing Assembly

Image 1

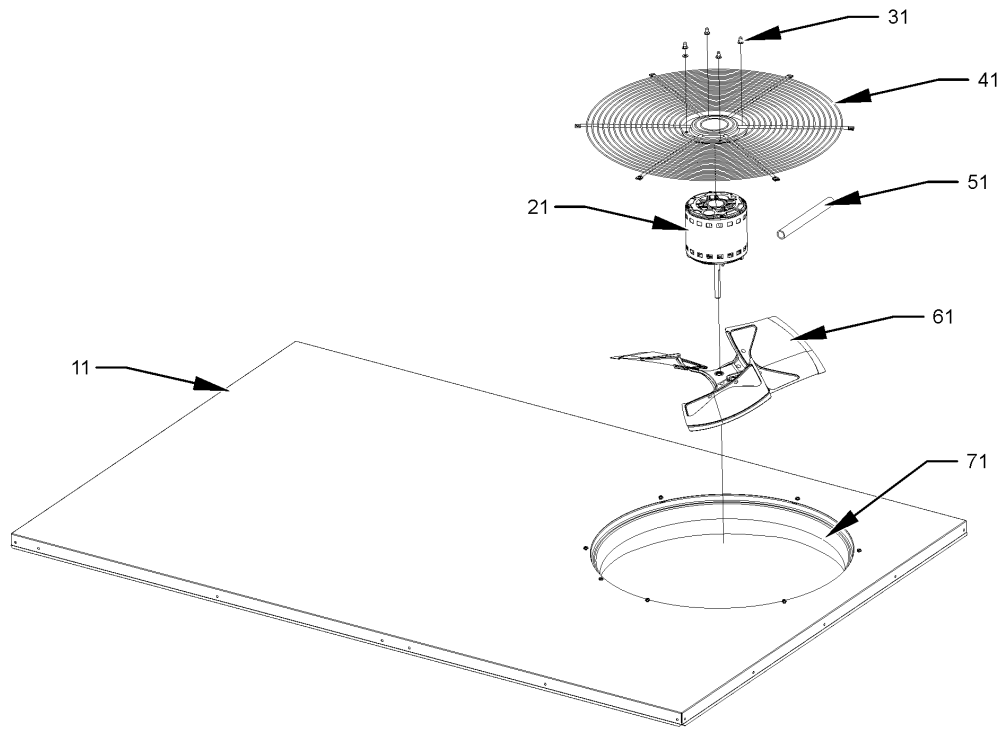
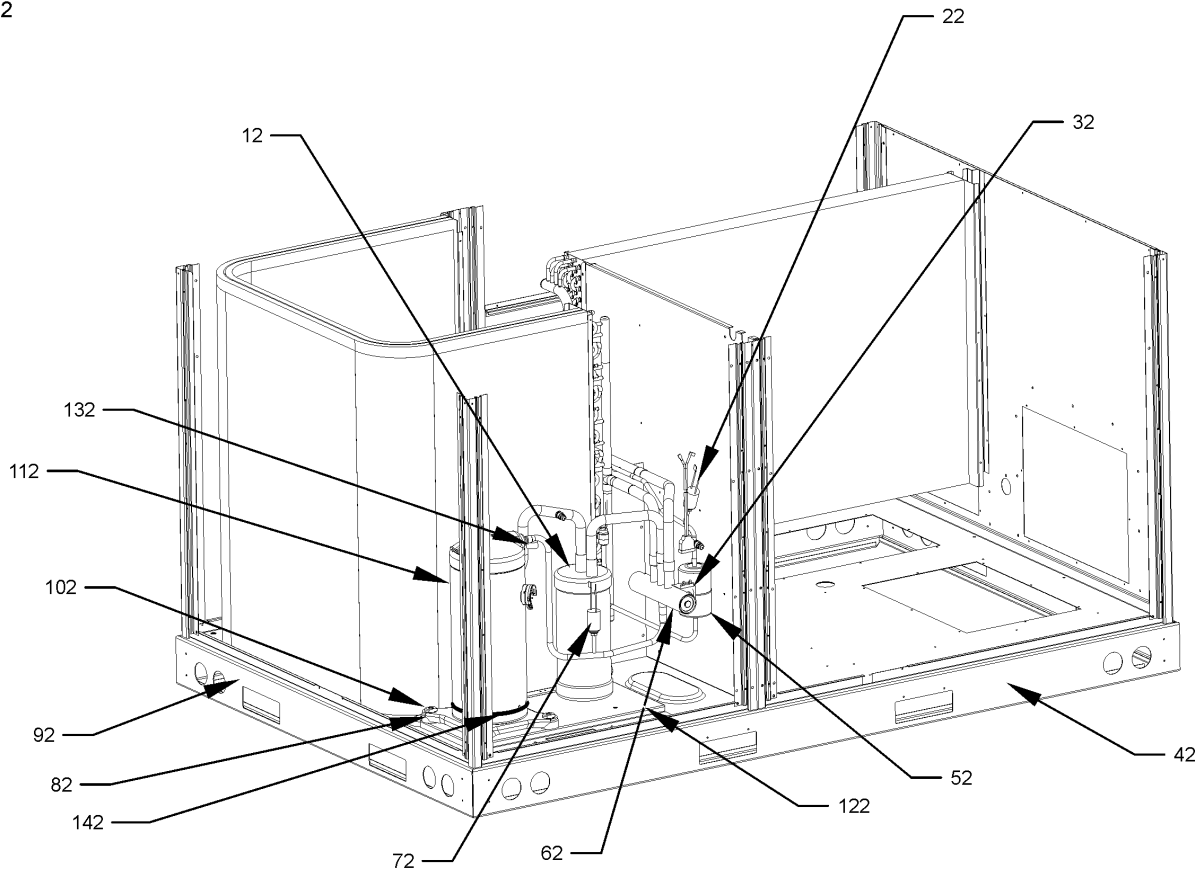


Image 2



Top Panel / Tubing Assembly

Ref. Part No:	Ref. Part No:	Description:	Description:	
<i>Image 1:</i>		<i>Image 2:</i>		
11	0270L00086S	INSULATED ASSY, TOP PANEL	112 ZP61KCETFE830 COMPRESSOR 61500, 575/60/3 (M23, M24)	
21	0131M00008PS	COND MOTOR 1/3 HP, 1 SP, 6 PL (M19, M20)	122 0121L00309 COMPRESSOR MOUNTING PLATE	
21	B13400249S	COND MOTOR 1/3 HP, 460V (M21, M22)	132 0130R00045 CRANKCASE HEATER SWITCH (M19, M20)	
21	0131M00007PS	COND MOTOR 1/4 HP, 1 SP, 6 PL (M1, M2, M7, M8, M13, M14)	132 0230L00002 CRANKCASE HEATER SWITCH (M21, M22, M23, M24)	
21	B13400269S	COND MOTOR 380/460 50/60 CYCLE (M3, M4, M9, M10, M15, M16)	142 0130L00017 CRANK CASE HEATER-70W 240V (M19, M20)	
21	0131M00098S	COND MOTOR 575V (M5, M6, M11, M12, M17, M18)	142 0230L00001 CRANKCASE HEATER, 70W 480V (M21, M22)	
21	0131M00100S	COND MOTOR 575V (M23, M24)	142 0230L00003 CRANKCASE HEATER, 70W 575V (M23, M24)	
31	0163M00006P	ACORN NUT 5/16 HEX BLACK (QTY 4)	NS B1373315 ACCESS FITTING (QTY 2)	
41	0152G00002S	FAN GRILLE	NS B9102097 CAP W/O-RING (QTY 2)	
51	17788000083F	PVC CONDUIT 8.25"	NS 0159L00028 COMPRESSOR SCROLL HARNESS	
61	0150G00001S	FAN BLADE (M1, M2, M3, M4, M5, M6, M7, M8, M9, M10, M11, M12, M13, M14, M15, M16, M17, M18, M23, M24)	Expanded Model Nomenclature	
61	B1086765S	FAN BLADE TYPE 3 (M19, M20, M21, M22)	M1 - CPH036XXX3BXJXBB	
71	0161L00000	VENTURI RING 22"	M2 - CPH036XXX3BXXXBB	
<i>Image 2:</i>			M3 - CPH036XXX4BXJXBB	
12	B1226206	ACCUMULATOR (M1, M2, M3, M4, M5, M6)	M4 - CPH036XXX4BXXXBB	
12	B1226207	ACCUMULATOR .875 (M7, M8, M9, M10, M11, M12, M13, M14, M15, M16, M17, M18, M19, M20, M21, M22, M23, M24)	M5 - CPH036XXX7BXJXBB	
22	0130M00075	LOW PRESSURE SWITCH	M6 - CPH036XXX7BXXXBB	
32	B1225022S	SOLENOID COIL	M7 - CPH048XXX3BXJXBB	
42	0121L00244RF	SIDE RAIL (QTY 2)	M8 - CPH048XXX3BXXXBB	
52	20485201	BI-FLOW FILTER DRIER (M19, M20, M21, M22, M23, M24)	M9 - CPH048XXX4BXJXBB	
52	B1219204	BI-FLOW FILTER DRIER (M1, M2, M3, M4, M5, M6, M7, M8, M9, M10, M11, M12, M13, M14, M15, M16, M17, M18)	M10 - CPH048XXX4BXXXBB	
62	0151M00019S	REVERSING VALVE (M1, M2, M3, M4, M5, M6)	M11 - CPH048XXX7BXJXBB	
62	0151M00021S	REVERSING VALVE (M7, M8, M9, M10, M11, M12, M13, M14, M15, M16, M17, M18, M19, M20, M21, M22, M23, M24)	M12 - CPH048XXX7BXXXBB	
72	0130M00074	HIGH PRESSURE SWITCH	M13 - CPH060XXX3BXJXBB	
82	B1339533	COMPRESSOR GROMMET (QTY 4)	M14 - CPH060XXX3BXXXBB	
92	0121L00245	END RAIL (QTY 2)	M15 - CPH060XXX4BXJXBB	
102	M0221641	TF SHOULDER SCREW (QTY 4)	M16 - CPH060XXX4BXXXBB	
112	ZP31K5ETFE830	COMPRESSOR 31100, 575/60/3 (M5, M6)	M17 - CPH060XXX7BXJXBB	
112	ZP31K5ETF5830	COMPRESSOR 31200, 200/230/60/3 (M1, M2)	M18 - CPH060XXX7BXXXBB	
112	ZP31K5ETFD830	COMPRESSOR 31200, 460/60/3 (M3, M4)	M19 - CPH072XXX3BXJXBB	
112	ZP39K5ETF5830	COMPRESSOR 39000, 200/230/60/3 (M7, M8)	M20 - CPH072XXX3BXXXBB	
112	ZP39K5ETFD830	COMPRESSOR 39000, 460/60/3 (M9, M10)	M21 - CPH072XXX4BXJXBB	
112	ZP39K5ETFE830	COMPRESSOR 39000, 575/60/3 (M11, M12)	M22 - CPH072XXX4BXXXBB	
112	ZP51K5ETF5830	COMPRESSOR 51000, 208/230/60/3 (M13, M14)	M23 - CPH072XXX7BXJXBB	
112	ZP51K5ETFD830	COMPRESSOR 51000, 460/60/3 (M15, M16)	M24 - CPH072XXX7BXXXBB	
112	ZP51K5ETFE830	COMPRESSOR 51000, 575/60/3 (M17, M18)		
112	ZP61KCETF5830	COMPRESSOR 61500, 200/230/60/3 (M19, M20)		
112	ZP61KCETFD830	COMPRESSOR 61500, 460/60/3 (M21, M22)		

Cabinet Assembly

Image 1

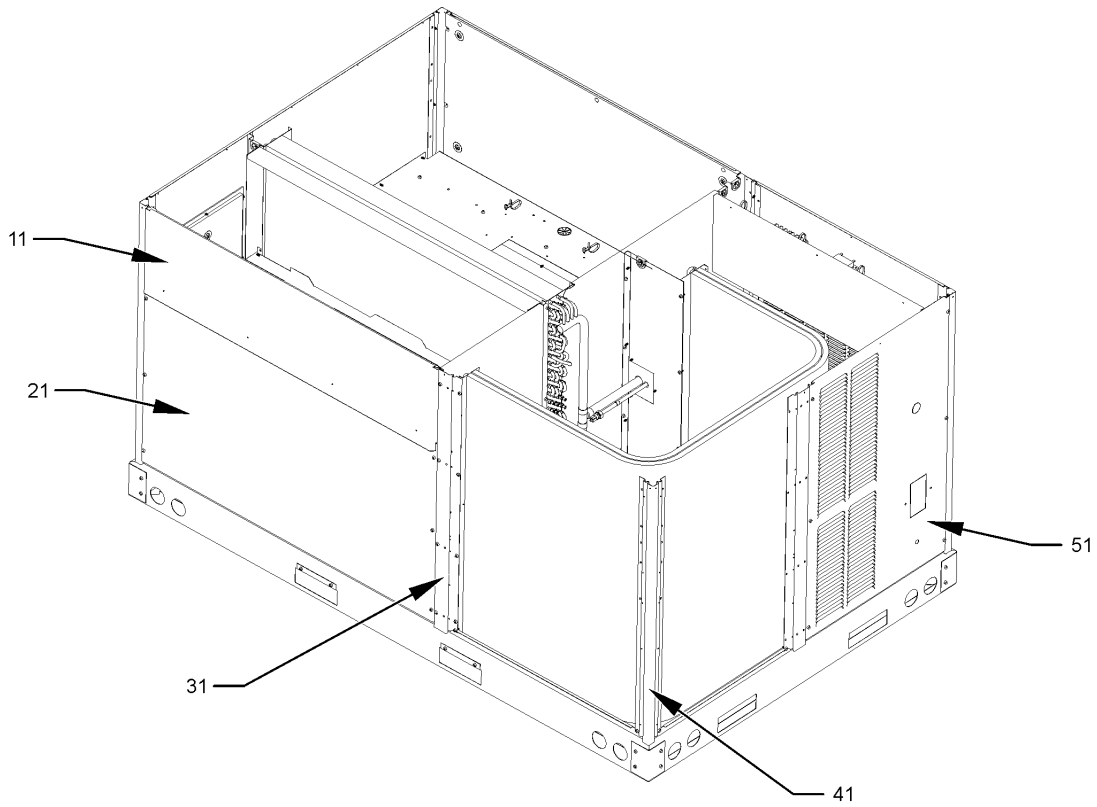
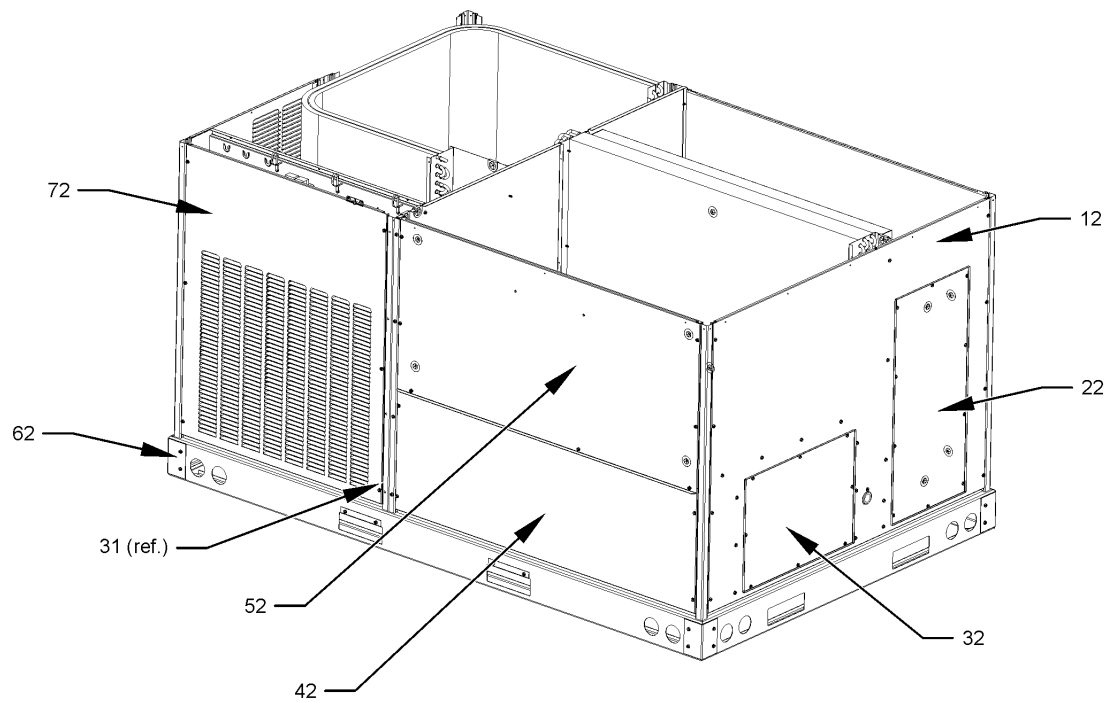


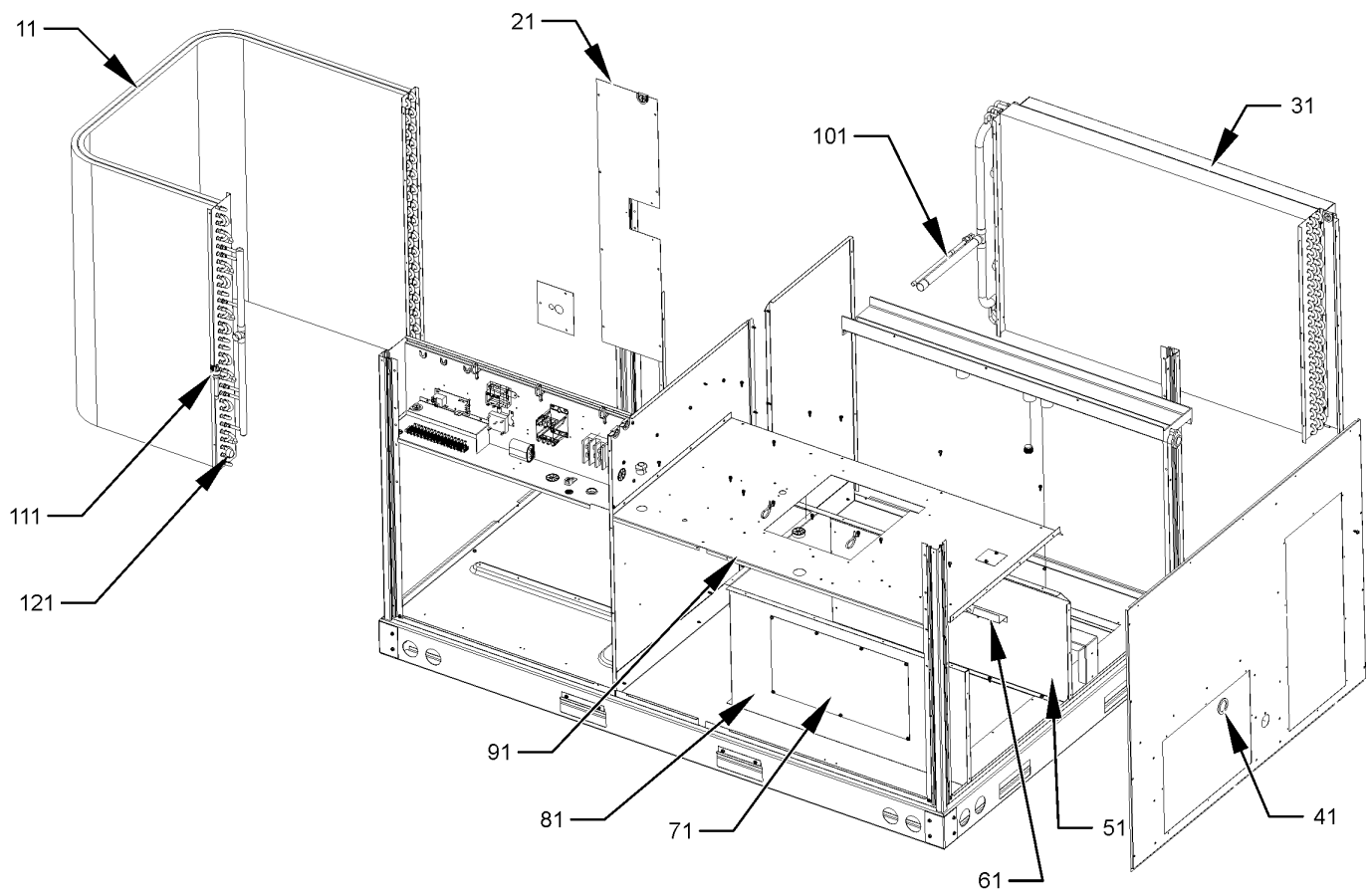
Image 2



Cabinet Assembly

Ref. Part No:	No:	Description:	Ref. Part No:	No:	Description:
<i>Image 1:</i>			Expanded Model Nomenclature		
11	0270L00080	INSULATED ASSY, FILTER DOOR (M1, M2, M3, M4, M5, M6, M7, M8, M9, M10, M11, M12, M13, M14, M15, M16, M17, M18)	M1 -	CPH036XXX3BXJXBB	
11	0270L00139	INSULATED ASSY, FILTER DOOR (M19, M20, M21, M22, M23, M24)	M2 -	CPH036XXX3BXXXBB	
21	0270L00081	INSULATED ASSY, ECONOMIZER DOOR	M3 -	CPH036XXX4BXJXBB	
31	0121L00233RFDG	POST-SIDE SUPPORT (M1, M2, M3, M4, M5, M6, M7, M8, M9, M10, M11, M12, M13, M14, M15, M16, M17, M18)	M4 -	CPH036XXX4BXXXBB	
31	0121L00343RFDG	POST-SIDE SUPPORT (M19, M20, M21, M22, M23, M24)	M5 -	CPH036XXX7BXJXBB	
41	0121L00237RFDG	CORNER POST (M1, M2, M3, M4, M5, M6, M7, M8, M9, M10, M11, M12, M13, M14, M15, M16, M17, M18)	M6 -	CPH036XXX7BXXXBB	
41	0121L00344RFDG	CORNER POST (M19, M20, M21, M22, M23, M24)	M7 -	CPH048XXX3BXJXBB	
51	0121L00263DG	LOUVERED COMPRESSOR PANEL (M1, M2, M3, M4, M5, M6, M7, M8, M9, M10, M11, M12, M13, M14, M15, M16, M17, M18)	M8 -	CPH048XXX3BXXXBB	
51	0121L00354DG	LOUVERED COMPRESSOR PANEL (M19, M20, M21, M22, M23, M24)	M9 -	CPH048XXX4BXJXBB	
NS	0121L00321	SMOKE DETECTOR COVER	M10 -	CPH048XXX4BXXXBB	
<i>Image 2:</i>			M11 -	CPH048XXX7BXJXBB	
12	0270L00079	INSULATED ASSY, DUCT PANEL (M1, M2, M3, M4, M5, M6, M7, M8, M9, M10, M11, M12, M13, M14, M15, M16, M17, M18)	M12 -	CPH048XXX7BXXXBB	
12	0270L00145	INSULATED ASSY, DUCT PANEL (M19, M20, M21, M22, M23, M24)	M13 -	CPH060XXX3BXJXBB	
22	0270L00011S	INSULATED ASSY, RETURN DUCT	M14 -	CPH060XXX3BXXXBB	
32	0270L00012S	INSULATED ASSY, SUPPLY DUCT	M15 -	CPH060XXX4BXJXBB	
42	0121L00279DG	ELECTRIC HEAT DOOR	M16 -	CPH060XXX4BXXXBB	
52	0270L00084	INSULATED ASSY, BLOWER DOOR (M1, M2, M3, M4, M5, M6, M7, M8, M9, M10, M11, M12, M13, M14, M15, M16, M17, M18)	M17 -	CPH060XXX7BXJXBB	
52	0270L00146	INSULATED ASSY, BLOWER DOOR (M19, M20, M21, M22, M23, M24)	M18 -	CPH060XXX7BXXXBB	
62	0121G00301	RAIL CORNER BRACKET (QTY 4)	M19 -	CPH072XXX3BXJXBB	
72	0121L00262DG	LOUVERED CONTROL PANEL (M1, M2, M3, M4, M5, M6, M7, M8, M9, M10, M11, M12, M13, M14, M15, M16, M17, M18)	M20 -	CPH072XXX3BXXXBB	
72	0121L00353DG	LOUVERED CONTROL PANEL (M19, M20, M21, M22, M23, M24)	M21 -	CPH072XXX4BXJXBB	
			M22 -	CPH072XXX4BXXXBB	
			M23 -	CPH072XXX7BXJXBB	
			M24 -	CPH072XXX7BXXXBB	

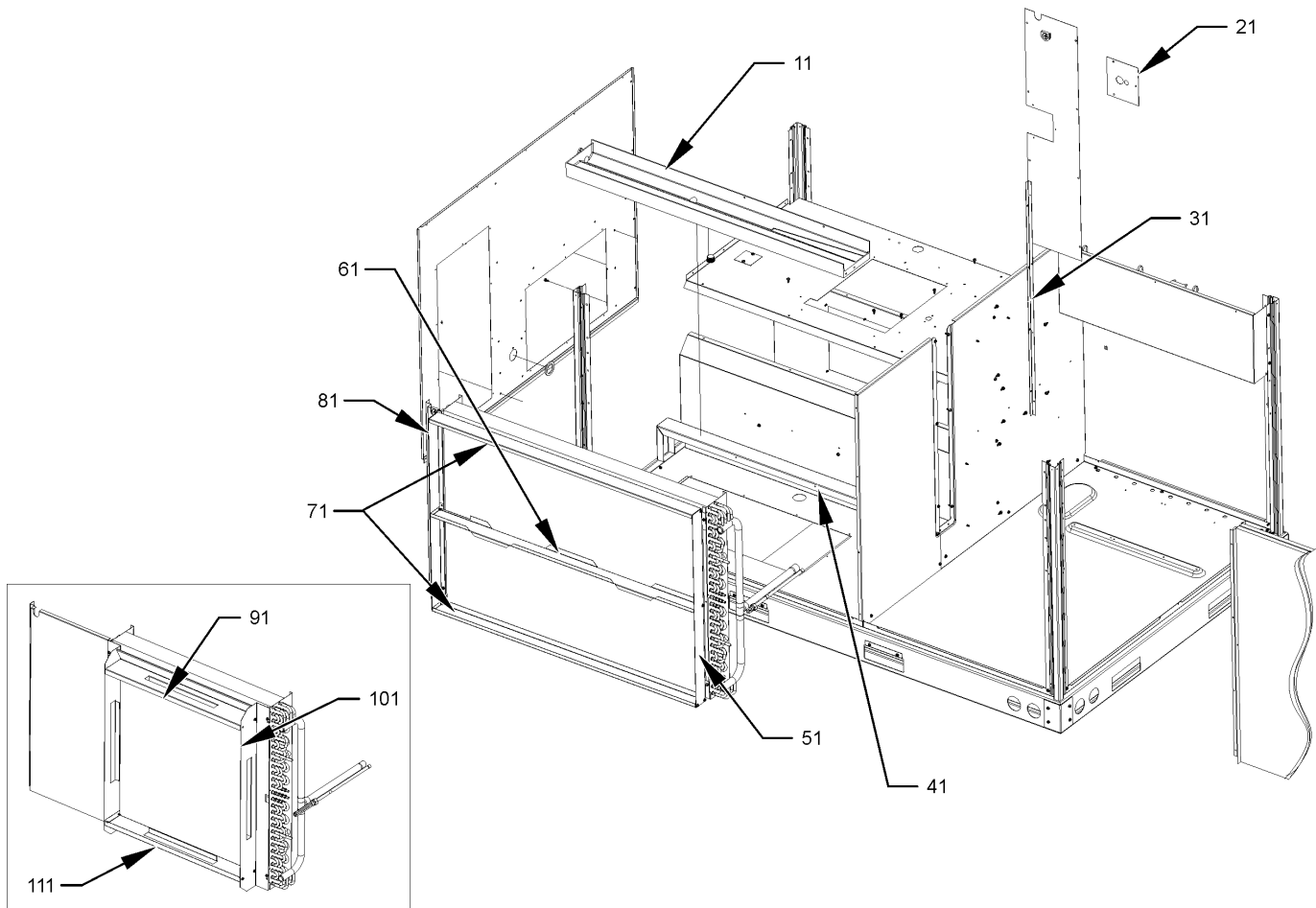
Condenser / Evaporator Coil Assembly



Condenser / Evaporator Coil Assembly

Ref. Part No:	No:	Description:	Ref. Part No:	No:	Description:
<i>Image 1:</i>			Expanded Model Nomenclature		
11	0201L00038S	TUBING ASSY, COND COIL (M2, M4)	M1	-	CPH036XXX3BXJXBB
11	0201L00039S	TUBING ASSY, COND COIL (M14, M16, M18)	M2	-	CPH036XXX3BXXXBB
11	0201L00040S	TUBING ASSY, COND COIL (M8, M10, M12)	M3	-	CPH036XXX4BXJXBB
11	0201L00043S	TUBING ASSY, COND COIL (M13, M15, M17)	M4	-	CPH036XXX4BXXXBB
11	0201L00044S	TUBING ASSY, COND COIL (M7, M9, M11)	M5	-	CPH036XXX7BXJXBB
11	0201L00047S	TUBING ASSY, COND COIL (M1, M3)	M6	-	CPH036XXX7BXXXBB
11	0201L00053	TUBING ASSY, COND COIL (M20, M22, M24)	M7	-	CPH048XXX3BXJXBB
11	0201L00055	TUBING ASSY, COND COIL (M19, M21, M23)	M8	-	CPH048XXX3BXXXBB
11	0201L00048S	TUBING ASSY, COND COIL 575V (M6)	M9	-	CPH048XXX4BXJXBB
11	0201L00051S	TUBING ASSY, COND COIL 575V (M5)	M10	-	CPH048XXX4BXXXBB
21	0121L00311	COND BLOCK-OFF (M1, M2, M3, M4, M7, M8, M9, M10, M11, M12, M13, M14, M15, M16, M17, M18)	M11	-	CPH048XXX7BXJXBB
21	0121L00319	COND BLOCK-OFF (M5, M6)	M12	-	CPH048XXX7BXXXBB
21	0121L00348	COND BLOCK-OFF (M19, M20, M21, M22, M23, M24)	M13	-	CPH060XXX3BXJXBB
31	0202L00020S	TUBING ASSY, EVAP COIL (M13, M14, M15, M16, M17, M18)	M14	-	CPH060XXX3BXXXBB
31	0202L00026S	TUBING ASSY, EVAP COIL (M1, M2, M3, M4, M5, M6)	M15	-	CPH060XXX4BXJXBB
31	0202L00029S	TUBING ASSY, EVAP COIL (M7, M8, M9, M10, M11, M12)	M16	-	CPH060XXX4BXXXBB
31	0202L00032	TUBING ASSY, EVAP COIL (M19, M20, M21, M22, M23, M24)	M17	-	CPH060XXX7BXJXBB
41	0154L00009	DRAIN PAN GASKET	M18	-	CPH060XXX7BXXXBB
51	0121L00243	DECK SIDE CHANNEL	M19	-	CPH072XXX3BXJXBB
61	0121L00288	ELECTRIC HEAT RETAINER	M20	-	CPH072XXX3BXXXBB
71	0121L00144	ELECTRIC HEAT COVER	M21	-	CPH072XXX4BXJXBB
81	0121L00256	ELECTRIC HEAT PANEL	M22	-	CPH072XXX4BXXXBB
91	0121L00242	BLOWER DECK	M23	-	CPH072XXX7BXJXBB
101	0162M00097S	FLOWRATOR .068 [EVAP] (M1, M2, M3, M4, M5, M6)	M24	-	CPH072XXX7BXXXBB
101	0162M00108	FLOWRATOR .076 [EVAP] (M7, M8, M9, M10, M11, M12)			
101	0162L00012S	FLOWRATOR .086 [EVAP] (M13, M14, M15, M16, M17, M18)			
101	0162M00121	FLOWRATOR .094 [EVAP] (M19, M20, M21, M22, M23, M24)			
111	0162M00096	FLOWRATOR .055 [COND] (M1, M2, M3, M4, M5, M6)			
111	0162M00106	FLOWRATOR .057 [COND] (M7, M8, M9, M10, M11, M12)			
111	0162M00060	FLOWRATOR .065 [COND] (M13, M14, M15, M16, M17, M18)			
111	0162M00120	FLOWRATOR .080 [COND] (M19, M20, M21, M22, M23, M24)			
121	0130M00048	DEFROST THERMOSTAT (34°/60°) (M1, M2, M3, M4, M5, M6, M7, M8, M9, M10, M11, M12, M13, M14, M15, M16, M17, M18)			
121	0130M00009P	DEFROST THERMOSTAT OPEN 60°, CLOSE 34° (M19, M20, M21, M22, M23, M24)			

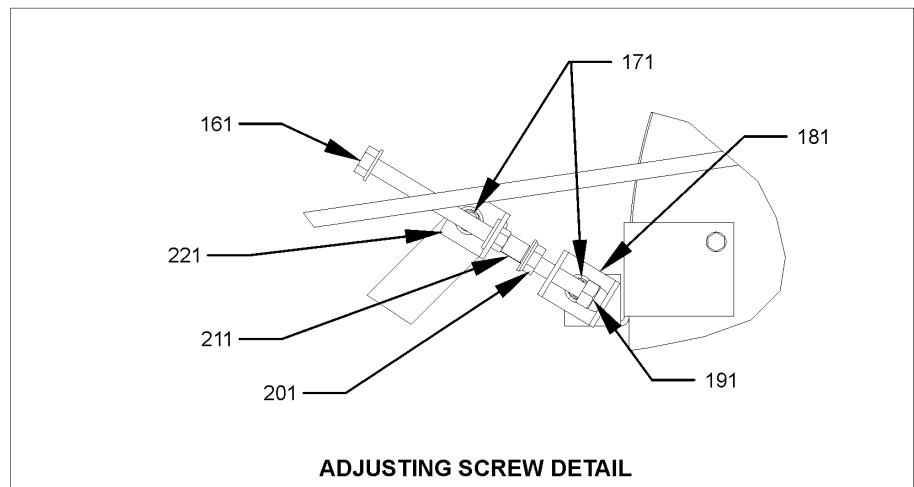
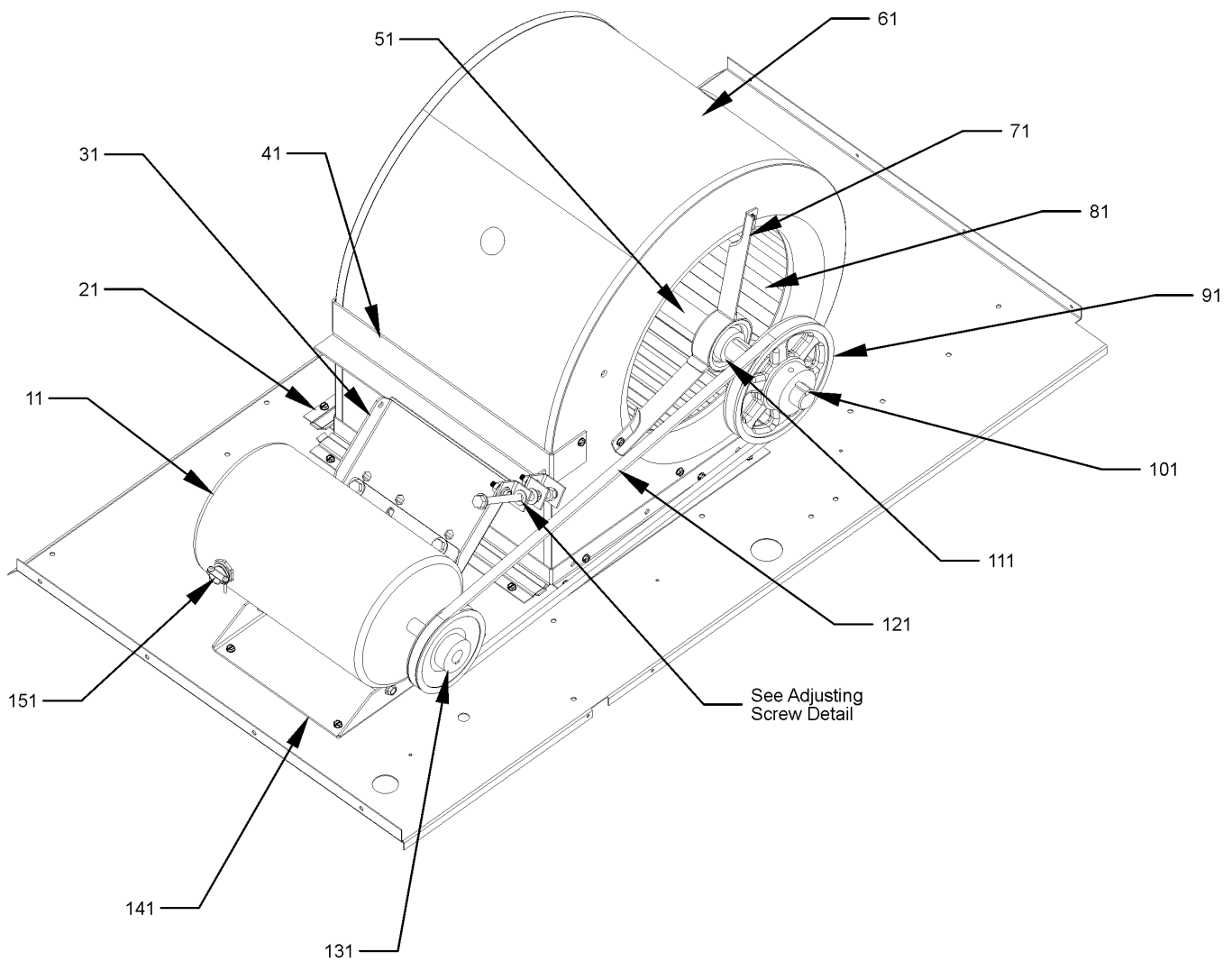
Partition Assembly



Partition Assembly

Ref. Part No:	No:	Description:	Ref. Part No:	No:	Description:
<i>Image 1:</i>			Expanded Model Nomenclature		
11	0161L00005	DRAIN PAN	M1	-	CPH036XXX3BXJXBB
21	0121L00324	COND BLOCK-OFF PLATE	M2	-	CPH036XXX3BXXXBB
31	0121L00254	COND MOUNTING ANGLE (M1, M2, M3, M4, M5, M6, M7, M8, M9, M10, M11, M12, M13, M14, M15, M16, M17, M18)	M3	-	CPH036XXX4BXJXBB
31	0121L00349	COND MOUNTING ANGLE (M19, M20, M21, M22, M23, M24)	M4	-	CPH036XXX4BXXXBB
41	0121L00238	DRAIN PAN SUPPORT	M5	-	CPH036XXX7BXJXBB
51	0121L00287	FILTER ANGLE-VERTICAL (RETURN SIDE) (M7, M8, M9, M10, M11, M12, M13, M14, M15, M16, M17, M18)	M6	-	CPH036XXX7BXXXBB
51	0121L00357	FILTER ANGLE-VERTICAL (RETURN SIDE) (M19, M20, M21, M22, M23, M24)	M7	-	CPH048XXX3BXJXBB
61	0121L00298	FILTER ANGLE-HORIZONTAL (CENTER) (M7, M8, M9, M10, M11, M12, M13, M14, M15, M16, M17, M18, M19, M20, M21, M22, M23, M24)	M8	-	CPH048XXX3BXXXBB
71	0121L00286	FILTER ANGLE-HORIZONTAL (M7, M8, M9, M10, M11, M12, M13, M14, M15, M16, M17, M18, M19, M20, M21, M22, M23, M24)	M9	-	CPH048XXX4BXJXBB
81	0121L00303	FILTER ANGLE-VERTICAL (HAIRPIN SIDE) (M7, M8, M9, M10, M11, M12, M13, M14, M15, M16, M17, M18)	M10	-	CPH048XXX4BXXXBB
81	0121L00358	FILTER ANGLE-VERTICAL (HAIRPIN SIDE) (M19, M20, M21, M22, M23, M24)	M11	-	CPH048XXX7BXJXBB
91	0121L00290	FILTER ANGLE-TOP (M1, M2, M3, M4, M5, M6)	M12	-	CPH048XXX7BXXXBB
101	0121L00292	FILTER ANGLE-VERTICAL (M1, M2, M3, M4, M5, M6)	M13	-	CPH060XXX3BXJXBB
111	0121L00291	FILTER ANGLE-BOTTOM (M1, M2, M3, M4, M5, M6)	M14	-	CPH060XXX3BXXXBB
NS	B1369608	AIR FILTER 20 X 16 X 2 (M19, M20, M21, M22, M23, M24)	M15	-	CPH060XXX4BXJXBB
NS	0160L00008	FILTER 14 X 20 X 2 (M7, M8, M9, M10, M11, M12, M13, M14, M15, M16, M17, M18)	M16	-	CPH060XXX4BXXXBB
NS	0160L00046	FILTER 24 X 24 (M1, M2, M3, M4, M5, M6)	M17	-	CPH060XXX7BXJXBB
			M18	-	CPH060XXX7BXXXBB
			M19	-	CPH072XXX3BXJXBB
			M20	-	CPH072XXX3BXXXBB
			M21	-	CPH072XXX4BXJXBB
			M22	-	CPH072XXX4BXXXBB
			M23	-	CPH072XXX7BXJXBB
			M24	-	CPH072XXX7BXXXBB

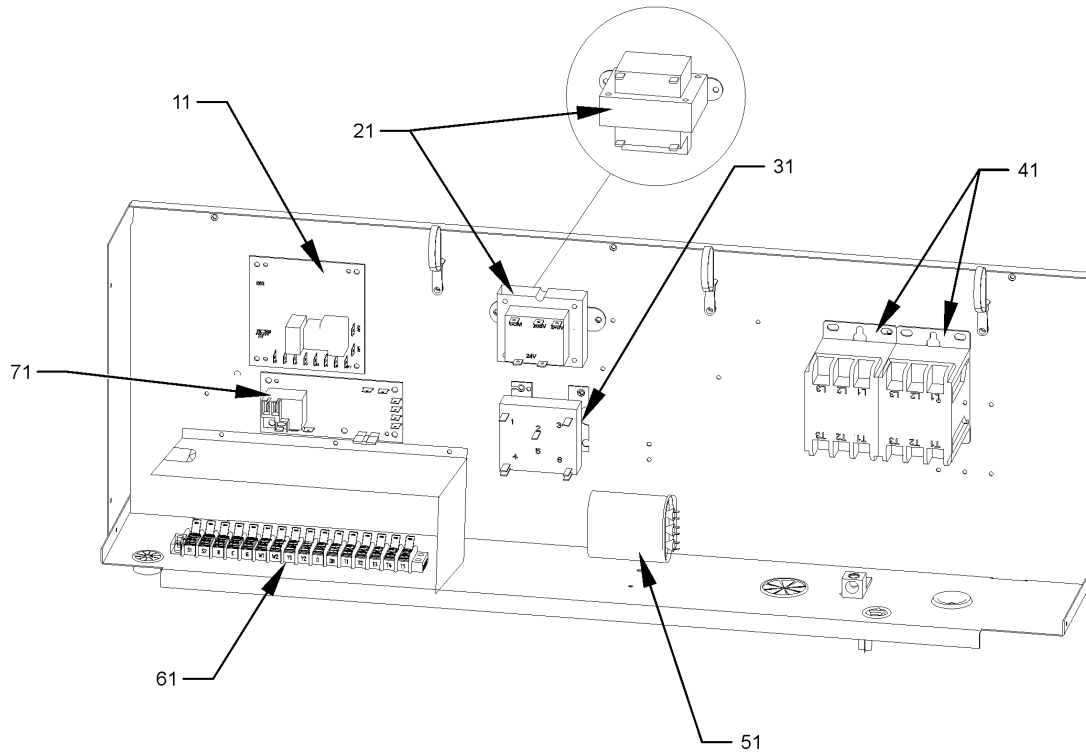
Belt Drive Blower Assembly



Belt Drive Blower Assembly

Ref. Part No:	No:	Description:	Ref. Part No:	No:	Description:
<i>Image 1:</i>			Expanded Model Nomenclature		
11	0131L00003S	BELT DRIVE MOTOR 1 HP (M1, M2, M3, M4, M7, M8, M9, M10, M13, M14, M15, M16)	M1 -	CPH036XXX3BXJXBB	
11	0131L00004S	BELT DRIVE MOTOR 1.5 HP 575V (M5, M6, M11, M12, M17, M18, M23, M24)	M2 -	CPH036XXX3BXXXBB	
11	B3240007S	BELT DRIVE MOTOR, 230 & 460 / 60HZ 3PH (M19, M20, M21, M22)	M3 -	CPH036XXX4BXJXBB	
21	0121L00297	BLOWER SIDE ANGLE (QTY 3)	M4 -	CPH036XXX4BXXXBB	
31	0121L00271	MOTOR MOUNT PLATE	M5 -	CPH036XXX7BXJXBB	
41	0121L00272	MOTOR MOUNT ANGLE	M6 -	CPH036XXX7BXXXBB	
51	0163L00005	BELT DRIVE BLOWER SHAFT	M7 -	CPH048XXX3BXJXBB	
61	2539302FS	BLOWER HOUSING 11 X 10	M8 -	CPH048XXX3BXXXBB	
71	B3201300	MOUNTING BRACKET BEARING (QTY 2)	M9 -	CPH048XXX4BXJXBB	
81	B1368056	BELT DRIVE BLOWER WHEEL	M10 -	CPH048XXX4BXXXBB	
91	B2120011	FIXED SHEAVE (M1, M2, M3, M4, M5, M6)	M11 -	CPH048XXX7BXJXBB	
91	0163L00031	FIXED SHEAVE AK59 (M19, M20, M21, M22, M23, M24)	M12 -	CPH048XXX7BXXXBB	
91	B3204303	FIXED SHEAVE AK61 (M13, M14, M15, M16, M17, M18)	M13 -	CPH060XXX3BXJXBB	
91	B3204310	FIXED SHEAVE AK66 (M7, M8, M9, M10, M11, M12)	M14 -	CPH060XXX3BXXXBB	
101	B1398604	STEEL KEY (000158812) 2.0"	M15 -	CPH060XXX4BXJXBB	
111	B1399500	BALL BEARING 1.00" (QTY 2)	M16 -	CPH060XXX4BXXXBB	
121	0164L00002	FAN BELT, NOTCHED (M13, M14, M15, M16, M17, M18, M19, M20, M21, M22, M23, M24)	M17 -	CPH060XXX7BXJXBB	
121	0164L00003	FAN BELT, NOTCHED (M1, M2, M3, M4, M5, M6, M7, M8, M9, M10, M11, M12)	M18 -	CPH060XXX7BXXXBB	
131	0163L00024	VARIABLE PITCH SHEAVE 1VL40 X 5/8" (M1, M2, M3, M4, M5, M6)	M19 -	CPH072XXX3BXJXBB	
131	B2120001	VARIABLE PITCH SHEAVE 1VL44 X 3/8" (M7, M8, M9, M10, M11, M12, M13, M14, M15, M16, M17, M18, M23, M24)	M20 -	CPH072XXX3BXXXBB	
131	B2120014	VARIABLE PITCH SHEAVE 1VL44 X 7/8" (M19, M20, M21, M22)	M21 -	CPH072XXX4BXJXBB	
141	0121L00273	MOTOR PIVOT ANGLE	M22 -	CPH072XXX4BXXXBB	
151	B1393726	ELECT. CONNECTING BUSHING	M23 -	CPH072XXX7BXJXBB	
161	0163M00054	BOLT	M24 -	CPH072XXX7BXXXBB	
171	B1393738	BOLT 1/4-20 X 3/4" (QTY 4)			
181	0121L00274	MOTOR ADJUST BRACKET			
191	0163M00055	ACORN NUT 5/16 X 18			
201	B1393020	FLANGED LOCKNUT 5/16-18TPI			
211	B1393027	HEX NUT INSERT 5/16-18 (QTY 5)			
221	0121L00275	MOUNTING BRACKET INSERT			
NS	1864703F	BLOWER CUT-OFF			
NS	B1398603	STEEL KEY (000158812) 4.5"			

Control Box Assembly



Control Box Assembly

Ref. Part No:	No:	Description:	Ref. Part No:	No:	Description:
<i>Image 1:</i>			Expanded Model Nomenclature		
11	PCBDM133	DEFROST CONTROL BOARD	M1	-	CPH036XXX3BXJXBB
21	B1141643	TRANSFORMER 208/230, 24V (M1, M2, M7, M8, M13, M14, M19, M20)	M2	-	CPH036XXX3BXXXBB
21	B1141672	TRANSFORMER 480V, 75VA, RESETTABLE (M3, M4, M9, M10, M15, M16, M21, M22)	M3	-	CPH036XXX4BXJXBB
21	0130M00045S	TRANSFORMER 575/24V (M5, M6, M11, M12, M17, M18, M23, M24)	M4	-	CPH036XXX4BXXXBB
31	0130M00025S	24V RELAY (M3, M4, M5, M6, M9, M10, M11, M12, M15, M16, M17, M18, M21, M22, M23, M24)	M5	-	CPH036XXX7BXJXBB
41	CONT3P025024VS	CONTACTOR 25 AMP, 3P, 24V (M3, M4, M5, M6, M9, M10, M11, M12, M15, M16, M17, M18, M21, M22, M23, M24)	M6	-	CPH036XXX7BXXXBB
41	CONT3P030024VS	CONTACTOR 30 AMP, 3P, 24V (M1, M2, M7, M8, M13, M14, M19, M20)	M7	-	CPH048XXX3BXJXBB
51	CAP050000370VAS	CAPACITOR 5/370V	M8	-	CPH048XXX3BXXXBB
61	0130M00038S	TERMINAL BOARD	M9	-	CPH048XXX4BXJXBB
71	PCBFM131	ELECTRONIC BLOWER TIME DELAY RELAY	M10	-	CPH048XXX4BXXXBB
NS	20520901	CAPACITOR STRAP	M11	-	CPH048XXX7BXJXBB
NS	0259L00077	DEFROST HARNESS (M1, M2, M7, M8, M13, M14)	M12	-	CPH048XXX7BXXXBB
NS	0259L00077	DEFROST HARNESS (M19, M20)	M13	-	CPH060XXX3BXJXBB
NS	0259L00078	DEFROST HARNESS (M3, M4, M5, M6, M9, M10, M11, M12, M15, M16, M17, M18, M21, M22, M23, M24)	M14	-	CPH060XXX3BXXXBB
NS	0259L00122	WIRE HARNESS, CONTROL (M1, M2, M3, M4, M5, M6, M7, M8, M9, M10, M11, M12, M13, M14, M15, M16, M17, M18, M21, M22, M23, M24)	M15	-	CPH060XXX4BXJXBB
NS	0259L00122	WIRE HARNESS, CONTROL (M19, M20)	M16	-	CPH060XXX4BXXXBB
NS	0259L00057	WIRING HARNESS (M1, M2, M3, M4, M5, M6, M7, M8, M9, M10, M11, M12, M13, M14, M15, M16, M17, M18, M21, M22, M23, M24)	M17	-	CPH060XXX7BXJXBB
NS	0259L00057	WIRING HARNESS (M19, M20)	M18	-	CPH060XXX7BXXXBB
NS	0259L00061	WIRING HARNESS (M19, M20)	M19	-	CPH072XXX3BXJXBB
NS	0259L00061	WIRING HARNESS (M1, M2, M3, M4, M5, M6, M7, M8, M9, M10, M11, M12, M13, M14, M15, M16, M17, M18, M21, M22, M23, M24)	M20	-	CPH072XXX3BXXXBB
NS	0259L00065	WIRING HARNESS (M1, M2, M3, M4, M5, M6, M7, M8, M9, M10, M11, M12, M13, M14, M15, M16, M17, M18)	M21	-	CPH072XXX4BXJXBB
NS	0259L00070	WIRING HARNESS (M1, M2, M5, M6, M7, M8, M11, M12, M13, M14, M17, M18, M23, M24)	M22	-	CPH072XXX4BXXXBB
NS	0259L00070	WIRING HARNESS (M19, M20)	M23	-	CPH072XXX7BXJXBB
NS	0259L00071	WIRING HARNESS (M3, M4, M9, M10, M15, M16, M21, M22)	M24	-	CPH072XXX7BXXXBB
NS	0259L00094	WIRING HARNESS (M21, M22, M23, M24)			
NS	0259L00094	WIRING HARNESS (M19, M20)			

THIS PAGE INTENTIONALLY LEFT BLANK