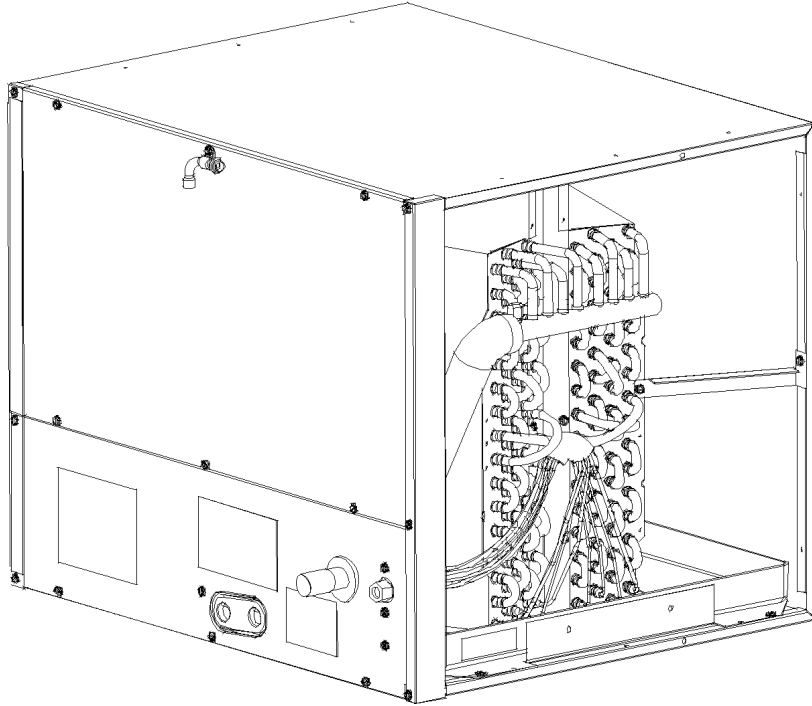


# REPAIR PARTS

## CHPF 13 SEER Horizontal Coils

CHPF1824A6CA  
CHPF1824A6CB  
CHPF2430B6CA  
CHPF2430B6CB  
CHPF3636B6CA  
CHPF3636B6CB  
CHPF3642C6CA  
CHPF3642C6CB  
CHPF3642D6CA  
CHPF3642D6CB  
CHPF3743C6BA  
CHPF3743C6BB  
CHPF3743D6BA  
CHPF3743D6BB  
CHPF4860D6DA  
CHPF4860D6DB



This manual is to be used by qualified technicians only.

This manual replaces RP-534A.

© 2009,2012 Goodman Manufacturing Company, L.P. ♦ 5151 San Felipe, Suite 500 ♦ Houston, TX 77056

# Important Information

---

## Index

Functional Parts List .....	3
Illustration and Parts .....	4 - 5

*Views shown are for parts illustrations only, not servicing procedures.*

### Text Codes:

AR - As Required

NA - Not Available

NS - Not Shown

00000000 - See Note

QTY - Quantity Example (QTY 3) (If Quantity not shown, Quantity = 1)

M - Model Example (M1) (If M Code not shown, then part is used on all Models)

### Expanded Model Nomenclature:

Example M1 - Model#1 M2 - Model#2 M3 - Model#3
---------------------------------------------------------

Goodman Manufacturing Company, L.P. is not responsible for personal injury or property damage resulting from improper service. Review all service information before beginning repairs.

Warranty service must be performed by an authorized technician, using authorized factory parts. If service is required after the warranty expires, Goodman Manufacturing Company, L.P. also recommends contacting an authorized technician and using authorized factory parts.

Goodman Manufacturing Company, L.P. reserves the right to discontinue, or change at any time, specifications or designs without notice or without incurring obligations.

For assistance within the U.S.A. contact:  
Consumer Affairs Department  
Goodman Manufacturing Company, L.P.  
7401 Security Way  
Houston, Texas 77040  
877-254-4729-Telephone  
713-863-2382-Facsimile

For assistance outside the U.S.A. contact:  
International Division  
Goodman Manufacturing Company, L.P.  
7401 Security Way  
Houston, Texas 77040  
713-861-2500-Telephone  
713-863-2382-Facsimile

# Functional Parts

**Part**

**No: Description:**

---

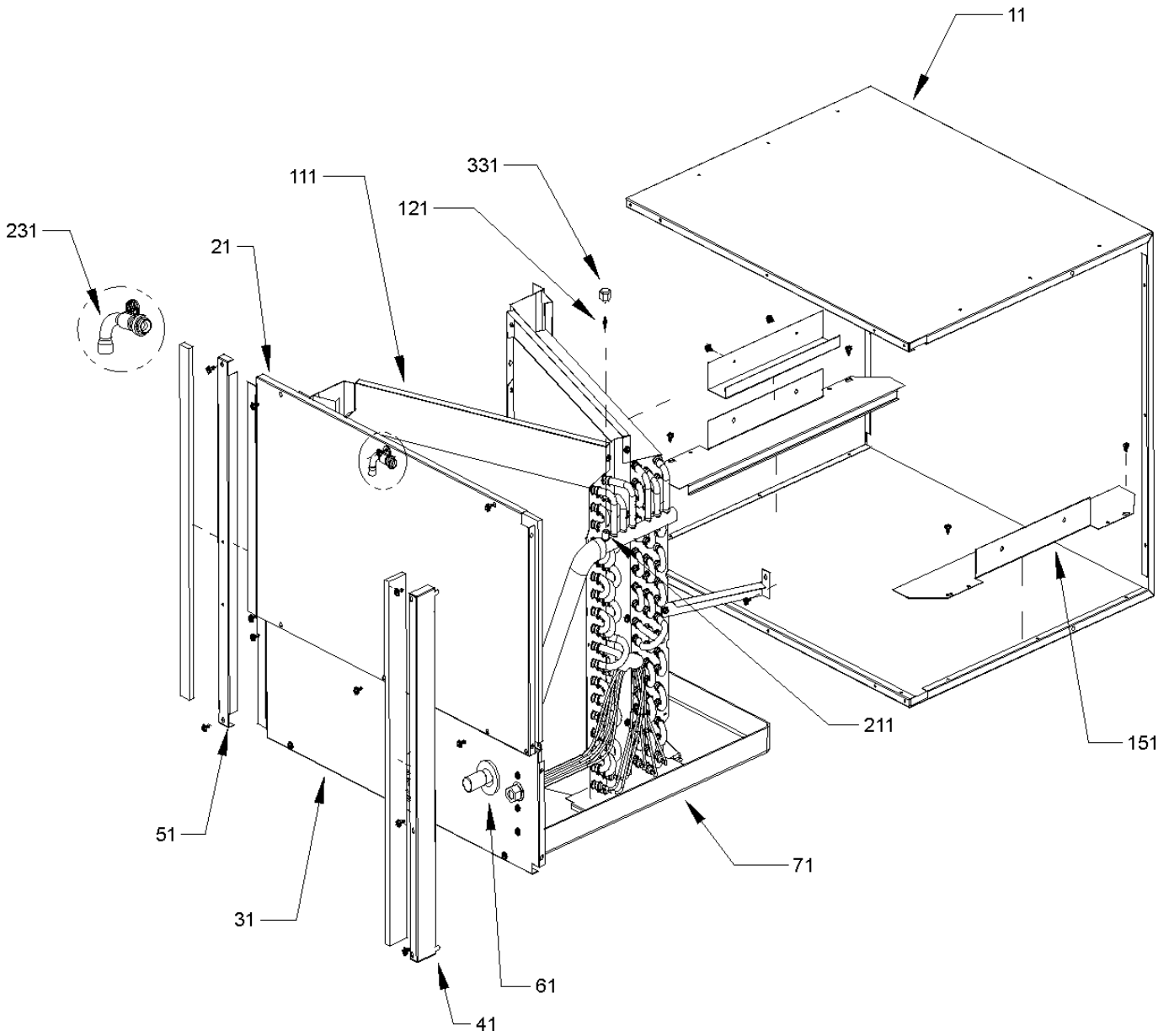
## SPECIAL PARTS

PKC-02A PISTON KIT CHART

Expanded Model Nomenclature

M1 - CHPF1824A6CA
M2 - CHPF1824A6CB
M3 - CHPF2430B6CA
M4 - CHPF2430B6CB
M5 - CHPF3636B6CA
M6 - CHPF3636B6CB
M7 - CHPF3642C6CA
M8 - CHPF3642C6CB
M9 - CHPF3642D6CA
M10 - CHPF3642D6CB
M11 - CHPF3743C6BA
M12 - CHPF3743C6BB
M13 - CHPF3743D6BA
M14 - CHPF3743D6BB
M15 - CHPF4860D6DA
M16 - CHPF4860D6DB

# Coil Assembly



# Coil Assembly

Ref. Part No: No:	Description:	Ref. Part No: No:	Description:
<i>Image 1:</i>		<i>Image 1:</i>	
11 5550829	HOR LG.CASE 24.5" X 26" PAINT (M9, M10, M13, M14, M15, M16)	331 B9102097	CAP W/O-RING
11 5550828	HOR.MED.CASE 17.5" X 26" PAINT (M3, M4, M5, M6)	NS 0162D00049	FLOWRATOR (M1, M2)
11 5550830	HORIZONTAL CASE LRG 21" X 26" (M7, M8, M11, M12)	NS 0162D00050	FLOWRATOR (M3, M4)
11 5550827	HORIZONTAL CASE SML 14" X 26" (M1, M2)	NS 0162D00051	FLOWRATOR (M5, M6)
21 5001504PDG	ACCESS DOOR LFT 17.5" X 26" (M3, M4, M5, M6)	NS 0162D00052	FLOWRATOR (M7, M8)
21 5001513PDG	ACCESS DOOR LFT 21" X 26" (M7, M8, M11, M12)	NS 0162D00053	FLOWRATOR (M9, M10)
21 5001515PDG	ACCESS DOOR LFT SM. HT ACCESS (M1, M2)	NS 0162D00054	FLOWRATOR (M11, M12)
21 5001514PDG	ACCESS DOOR-LEFT 24.5" X 26" (M9, M10, M13, M14, M15, M16)	NS 0162D00055	FLOWRATOR (M13, M14)
21 5001514PDG	ACCESSDOOR LFT 24.5" X 26" (M9, M10, M13, M14, M15, M16)	NS 0162D00056	FLOWRATOR (M15, M16)
31 5001516PDG	ACCESS DOOR-RIGHT	<b>Expanded Model Nomenclature</b>	
41 5001200PDG	TOP RAIL 14" (M1, M2)	M1 - CHPF1824A6CA	
41 5001204PDG	TOP RAIL 17.5" (M3, M4, M5, M6)	M2 - CHPF1824A6CB	
41 5001207PDG	TOP RAIL 21" (M7, M8, M11, M12)	M3 - CHPF2430B6CA	
41 5001208PDG	TOP RAIL 24.5" (M9, M10, M13, M14, M15, M16)	M4 - CHPF2430B6CB	
51 5001201PDG	BOTTOM RAIL 14" (M1, M2)	M5 - CHPF3636B6CA	
51 5001205PDG	BOTTOM RAIL 17.5" (M3, M4, M5, M6)	M6 - CHPF3636B6CB	
51 5001209PDG	BOTTOM RAIL 21" (M7, M8, M11, M12)	M7 - CHPF3642C6CA	
51 5001210PDG	BOTTOM RAIL 24.5" (M9, M10, M13, M14, M15, M16)	M8 - CHPF3642C6CB	
61 B1392630	GROMMET	M9 - CHPF3642D6CA	
71 B1755943DF	SM & MD DRAIN PAN (HT) (M1, M3, M5, M7, M9, M11, M13, M15)	M10 - CHPF3642D6CB	
111 0270D00270	TUBING ASSY, EVAP COIL (M1)	M11 - CHPF3743C6BA	
111 0270D00271	TUBING ASSY, EVAP COIL (M3)	M12 - CHPF3743C6BB	
111 0270D00272	TUBING ASSY, EVAP COIL (M5)	M13 - CHPF3743D6BA	
111 0270D00273	TUBING ASSY, EVAP COIL (M7)	M14 - CHPF3743D6BB	
111 0270D00274	TUBING ASSY, EVAP COIL (M9)	M15 - CHPF4860D6DA	
111 0270D00275	TUBING ASSY, EVAP COIL (M11)	M16 - CHPF4860D6DB	
111 0270D00276	TUBING ASSY, EVAP COIL (M13)		
111 0270D00277	TUBING ASSY, EVAP COIL (M15)		
111 0270D00494	TUBING ASSY, EVAP COIL (M2)		
111 0270D00495	TUBING ASSY, EVAP COIL (M4)		
111 0270D00496	TUBING ASSY, EVAP COIL (M6)		
111 0270D00497	TUBING ASSY, EVAP COIL (M8)		
111 0270D00498	TUBING ASSY, EVAP COIL (M10)		
111 0270D00499	TUBING ASSY, EVAP COIL (M12)		
111 0270D00500	TUBING ASSY, EVAP COIL (M14)		
111 0270D00501	TUBING ASSY, EVAP COIL (M16)		
121 BT1787000	VALVE CORE		
151 3810022D	BOTTOM RAIL BRACKET (QTY 2)		
211 B1373311	ACCESS VALVE FITTING (M5, M6, M7, M8, M9, M10, M11, M12, M13, M14, M15, M16)		
231 BT1369063	90 DEGREE STUB		