

REPAIR PARTS

AWUF Air Handler

AWUF180316BB
AWUF180516BB
AWUF180816BB
AWUF190316AA
AWUF190516AA
AWUF190816AA
AWUF240316BB
AWUF240516BB
AWUF240816BB
AWUF241016BB
AWUF250316AA
AWUF250516AA
AWUF250816AA
AWUF251016AA
AWUF300516BC
AWUF300816BC
AWUF301016BC
AWUF310516AB
AWUF310816AB
AWUF321016AB
AWUF360516BC
AWUF360816BC
AWUF361016BC
AWUF370516BB
AWUF370816BB
AWUF371016BB



This manual is to be used by qualified technicians only.

This manual replaces RP-4008.

© 2015 Goodman Manufacturing Company, L.P. ♦ 5151 San Felipe St., Suite 500 ♦ Houston, TX 77056

Important Information

Index

Functional Parts List	3
Illustration and Parts	4 - 9

Views shown are for parts illustrations only, not servicing procedures

Text Codes:

AR - As Required

NA - Not Available

NS - Not Shown

00000000 - See Note

QTY - Quantity Example (QTY 3) (If Quantity not shown, Quantity = 1)

M - Model Example (M1) (If M Code not shown, then part is used on all Models)

Expanded Model Nomenclature:

Example M1 - Model#1 M2 - Model#2 M3 - Model#3

Goodman Manufacturing Company, L.P. is not responsible for personal injury or property damage resulting from improper service. Review all service information before beginning repairs.

Warranty service must be performed by an authorized technician, using authorized factory parts. If service is required after the warranty expires, Goodman Manufacturing Company, L.P. also recommends contacting an authorized technician and using authorized factory parts.

Goodman Manufacturing Company, L.P. reserves the right to discontinue, or change at any time, specifications or designs without notice or without incurring obligations.

For assistance within the U.S.A. contact:
Consumer Affairs Department
Goodman Manufacturing Company, L.P.
7401 Security Way
Houston, Texas 77040
877-254-4729-Telephone
713-863-2382-Facsimile

For assistance outside the U.S.A. contact:
International Division
Goodman Manufacturing Company, L.P.
7401 Security Way
Houston, Texas 77040
713-861-2500-Telephone
713-863-2382-Facsimile

Functional Parts

Part No: **Description:**

Part No:	Description:	Expanded Model Nomenclature
BT1420028	ASM, HEATER(SMALL 3KW) (M1, M4, M7, M11)	M1 - AWUF180316BB
BT1420034	ASSY, 10 KW HEATER LRG (M17, M23)	M2 - AWUF180516BB
BT1420039	ASSY, 10 KW HEATER LRG (M20, M26)	M3 - AWUF180816BB
BT1420031	ASSY, 10 KW HEATER SML (M10, M14)	M4 - AWUF190316AA
BT1420032	ASSY, 5 KW HEATER LRG (M15, M18, M21, M24)	M5 - AWUF190516AA
BT1420029	ASSY, 5 KW HEATER SML (M2, M5, M8, M12)	M6 - AWUF190816AA
BT1420030	ASSY, 7.3 KW HEATER SML (M3, M6, M9, M13)	M7 - AWUF240316BB
BT1420033	ASSY, 8 KW HEATER LRG (M16, M22)	M8 - AWUF240516BB
BT1420040	ASSY, 8 KW HEATER LRG (M19, M25)	M9 - AWUF240816BB
BT1340030	BLOWER MOTOR 1/5 HP, 2 SP, 6 PL (M1, M2, M3, M7, M8, M9, M10)	M10 - AWUF241016BB
BT1340031	BLOWER MOTOR, 1/3HP, 2SP, 6PL (M15, M16, M17, M21, M22, M23)	M11 - AWUF250316AA
0131M00503	BLOWER MOTOR,1/2HP,SELECTECH PROGRAM (M24, M25, M26)	M12 - AWUF250516AA
0131M00501	BLOWER MOTOR,1/2HP,SELECTECH PROGRAM (M18)	M13 - AWUF250816AA
0131M00502	BLOWER MOTOR,1/2HP,SELECTECH PROGRAM (M19, M20)	M14 - AWUF251016AA
0131M00739	BLOWER MOTOR,1/3HP,BROAD OCEAN (M4, M5, M6, M11, M12, M13, M14)	M15 - AWUF300516BC
CAP075000370LA	CAPACITOR 7.5/370V (M1, M2, M3, M7, M8, M9, M10, M15, M16, M17, M21, M22, M23)	M16 - AWUF300816BC
CONT2P040024V	CONTACTOR 40 AMP, 2P, 24V	M17 - AWUF301016BC
PCBFM103	ELECTRONIC BLOWER TIME DELAY (M1, M2, M3, M7, M8, M9, M10, M15, M16, M17, M21, M22, M23)	M18 - AWUF310516AB
0130M00129	HEAT RELAY, 208-230, 460, 575 (M25, M26)	M19 - AWUF310816AB
0130M00138	TRANSFORMER 208/230, 24V	M20 - AWUF321016AB
		M21 - AWUF360516BC
		M22 - AWUF360816BC
		M23 - AWUF361016BC
		M24 - AWUF370516BB
		M25 - AWUF370816BB
		M26 - AWUF371016BB

Chassis and Coil Tubing Assy

Image 1

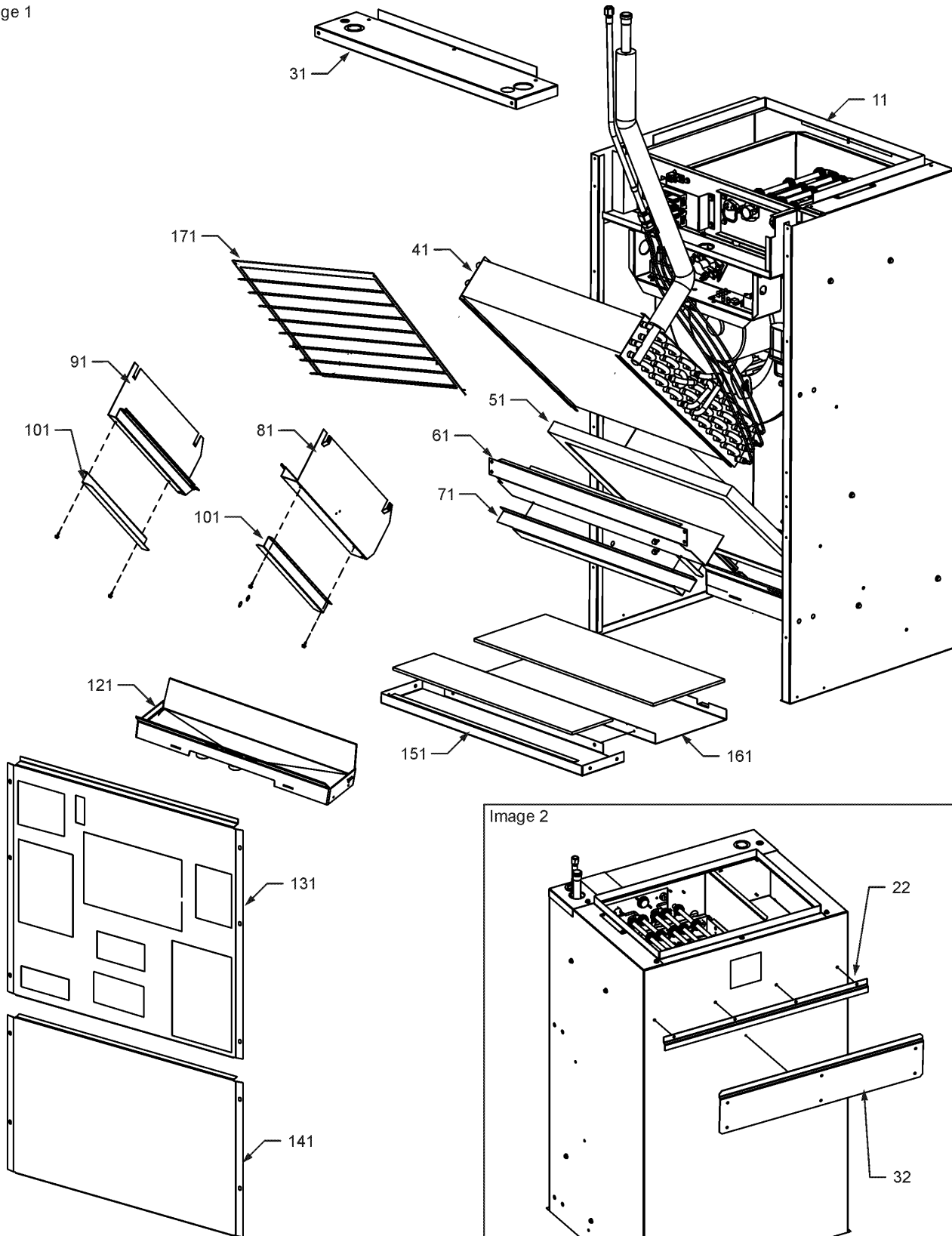
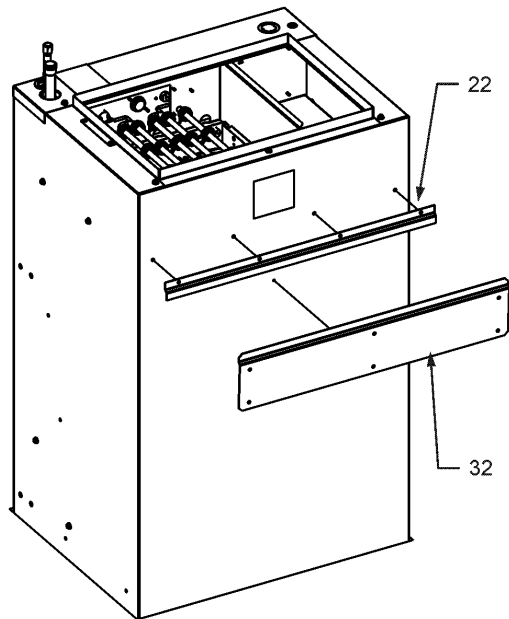


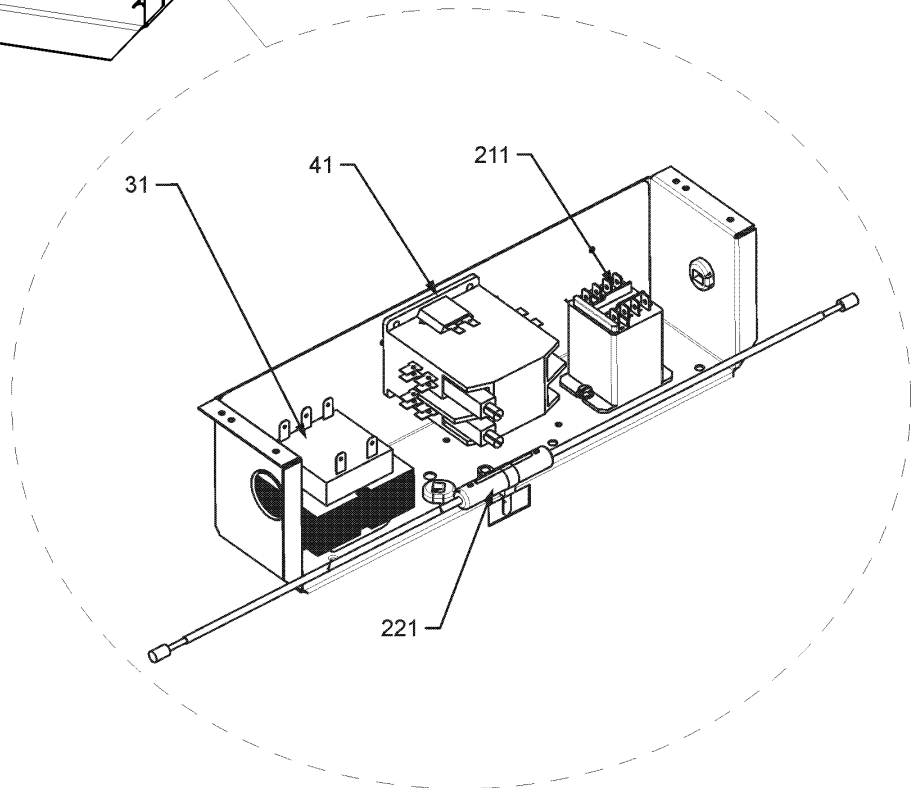
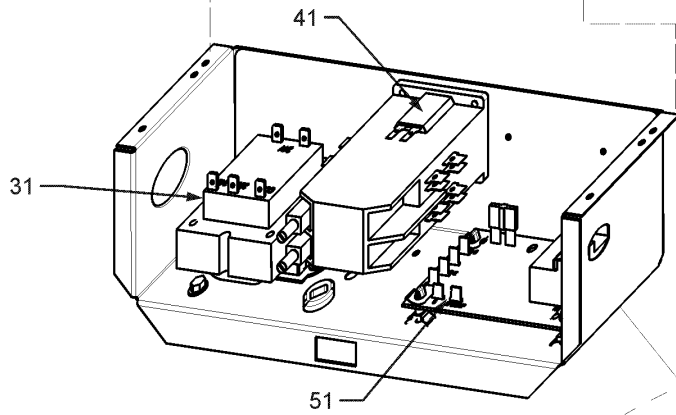
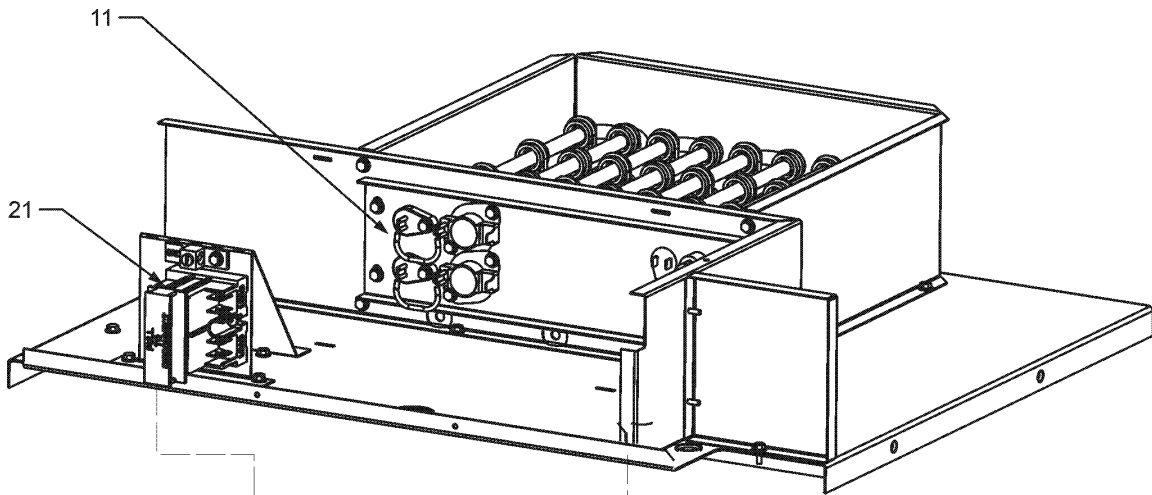
Image 2



Chassis and Coil Tubing Assy

Ref. Part No: No:	Description:	Ref. Part No: No:	Description:																										
Image 1:		Image 1:																											
11 3702005	WRAPPER, LARGE (M15, M16, M17, M18, M19, M20, M21, M22, M23, M24, M25, M26)	NS 3701242	DRIP SHIELD LRG (M15, M16, M17, M18, M19, M20, M21, M22, M23, M24, M25, M26)																										
11 3702004	WRAPPER, SMALL (M1, M2, M3, M4, M5, M6, M7, M8, M9, M10, M11, M12, M13, M14)	NS B1787000	VALVE CORE (M1, M2, M3, M4, M5, M6, M7, M8, M9, M10, M11, M12, M13, M14)																										
31 3702105	TOP WRAPPER LRG (M15, M16, M17, M18, M19, M20, M21, M22, M23, M24, M25, M26)	Image 2:																											
31 3702104	TOP WRAPPER SML (M1, M2, M3, M4, M5, M6, M7, M8, M9, M10, M11, M12, M13, M14)	22 3702500	HANGING BRACKET LRG (M15, M16, M17, M18, M19, M20, M21, M22, M23, M24, M25, M26)																										
41 0270A01016	COIL TUBING ASSEMBLY (M4, M5, M6)	22 3702501	HANGING BRACKET SML (M1, M2, M3, M4, M5, M6, M7, M8, M9, M10, M11, M12, M13, M14)																										
41 0270A01017	COIL TUBING ASSEMBLY (M11, M12, M13, M14)	32 3702800	HANGING BRACKET, FIELD																										
41 0270A00644	COIL TUBING ASSY (M1, M2, M3)	Expanded Model Nomenclature																											
41 0270A00645	COIL TUBING ASSY (M15, M16, M17)	<table border="1"> <tr><td>M1 - AWUF180316BB</td></tr> <tr><td>M2 - AWUF180516BB</td></tr> <tr><td>M3 - AWUF180816BB</td></tr> <tr><td>M4 - AWUF190316AA</td></tr> <tr><td>M5 - AWUF190516AA</td></tr> <tr><td>M6 - AWUF190816AA</td></tr> <tr><td>M7 - AWUF240316BB</td></tr> <tr><td>M8 - AWUF240516BB</td></tr> <tr><td>M9 - AWUF240816BB</td></tr> <tr><td>M10 - AWUF241016BB</td></tr> <tr><td>M11 - AWUF250316AA</td></tr> <tr><td>M12 - AWUF250516AA</td></tr> <tr><td>M13 - AWUF250816AA</td></tr> <tr><td>M14 - AWUF251016AA</td></tr> <tr><td>M15 - AWUF300516BC</td></tr> <tr><td>M16 - AWUF300816BC</td></tr> <tr><td>M17 - AWUF301016BC</td></tr> <tr><td>M18 - AWUF310516AB</td></tr> <tr><td>M19 - AWUF310816AB</td></tr> <tr><td>M20 - AWUF321016AB</td></tr> <tr><td>M21 - AWUF360516BC</td></tr> <tr><td>M22 - AWUF360816BC</td></tr> <tr><td>M23 - AWUF361016BC</td></tr> <tr><td>M24 - AWUF370516BB</td></tr> <tr><td>M25 - AWUF370816BB</td></tr> <tr><td>M26 - AWUF371016BB</td></tr> </table>		M1 - AWUF180316BB	M2 - AWUF180516BB	M3 - AWUF180816BB	M4 - AWUF190316AA	M5 - AWUF190516AA	M6 - AWUF190816AA	M7 - AWUF240316BB	M8 - AWUF240516BB	M9 - AWUF240816BB	M10 - AWUF241016BB	M11 - AWUF250316AA	M12 - AWUF250516AA	M13 - AWUF250816AA	M14 - AWUF251016AA	M15 - AWUF300516BC	M16 - AWUF300816BC	M17 - AWUF301016BC	M18 - AWUF310516AB	M19 - AWUF310816AB	M20 - AWUF321016AB	M21 - AWUF360516BC	M22 - AWUF360816BC	M23 - AWUF361016BC	M24 - AWUF370516BB	M25 - AWUF370816BB	M26 - AWUF371016BB
M1 - AWUF180316BB																													
M2 - AWUF180516BB																													
M3 - AWUF180816BB																													
M4 - AWUF190316AA																													
M5 - AWUF190516AA																													
M6 - AWUF190816AA																													
M7 - AWUF240316BB																													
M8 - AWUF240516BB																													
M9 - AWUF240816BB																													
M10 - AWUF241016BB																													
M11 - AWUF250316AA																													
M12 - AWUF250516AA																													
M13 - AWUF250816AA																													
M14 - AWUF251016AA																													
M15 - AWUF300516BC																													
M16 - AWUF300816BC																													
M17 - AWUF301016BC																													
M18 - AWUF310516AB																													
M19 - AWUF310816AB																													
M20 - AWUF321016AB																													
M21 - AWUF360516BC																													
M22 - AWUF360816BC																													
M23 - AWUF361016BC																													
M24 - AWUF370516BB																													
M25 - AWUF370816BB																													
M26 - AWUF371016BB																													
41 0270A00646	COIL TUBING ASSY (M18, M19, M20)																												
41 0270A00662	COIL TUBING ASSY (M7, M8, M9, M10)																												
41 0270A00663	COIL TUBING ASSY (M21, M22, M23)																												
41 0270A00664	COIL TUBING ASSY (M24, M25, M26)																												
51 BT1369604	AIR FILTER 14 X 18 X 1 (M1, M2, M3, M4, M5, M6, M7, M8, M9, M10, M11, M12, M13, M14)																												
51 BT1369608	AIR FILTER 18 X 20 X 1 (M15, M16, M17, M18, M19, M20, M21, M22, M23, M24, M25, M26)																												
61 0121A00066	CENTER TIE PLATE (M15, M16, M17, M18, M19, M20, M21, M22, M23, M24, M25, M26)																												
61 0121A00067	CENTER TIE PLATE (M1, M2, M3, M4, M5, M6, M7, M8, M9, M10, M11, M12, M13, M14)																												
71 3701802	FILTER OFFSET BRACKET SML (M1, M2, M3, M4, M5, M6, M7, M8, M9, M10, M11, M12, M13, M14)																												
81 3701231	GUTTER RAIL, RIGHT LRG (M15, M16, M17, M18, M19, M20, M21, M22, M23, M24, M25, M26)																												
81 3701224	GUTTER RAIL, RIGHT SML (M1, M2, M3, M4, M5, M6, M7, M8, M9, M10, M11, M12, M13, M14)																												
91 3701232	GUTTER RAIL, LEFT LRG (M15, M16, M17, M18, M19, M20, M21, M22, M23, M24, M25, M26)																												
91 3701225	GUTTER RAIL, LEFT SML (M1, M2, M3, M4, M5, M6, M7, M8, M9, M10, M11, M12, M13, M14)																												
101 3701203	FILTER SUPPORT SML (M1, M2, M3, M4, M5, M6, M7, M8, M9, M10, M11, M12, M13, M14)																												
121 0161R00021	DRAIN PAN LARGE (M15, M16, M17, M18, M19, M20, M21, M22, M23, M24, M25, M26)																												
121 0161R00022	DRAIN PAN SMALL (M1, M2, M3, M4, M5, M6, M7, M8, M9, M10, M11, M12, M13, M14)																												
131 3701535	ACCESS PANEL, FRONT LRG (M15, M16, M17, M18, M19, M20, M21, M22, M23, M24, M25, M26)																												
131 0121A00450	FRONT ACCESS PANEL SML (M1, M2, M3, M4, M5, M6, M7, M8, M9, M10, M11, M12, M13, M14)																												
141 3701505	LOWER ACCESS PANEL-FRONT (M1, M2, M3, M4, M5, M6, M7, M8, M9, M10, M11, M12, M13, M14)																												
151 3702301	BOTTOM TIE PLATE LRG (M15, M16, M17, M18, M19, M20, M21, M22, M23, M24, M25, M26)																												
151 3702303	BOTTOM TIE PLATE SML (M1, M2, M3, M4, M5, M6, M7, M8, M9, M10, M11, M12, M13, M14)																												
161 3701500	ACCESS PANEL, DRAIN LRG (M15, M16, M17, M18, M19, M20, M21, M22, M23, M24, M25, M26)																												
161 3701502	ACCESS PANEL, DRAIN SML (M1, M2, M3, M4, M5, M6, M7, M8, M9, M10, M11, M12, M13, M14)																												
171 0121A00153	LOUVER DRAIN PANEL (M1, M2, M3, M7, M8, M9, M10)																												
NS 0128R00007	DRAINPAN SHIELD																												

Heater Assemblies



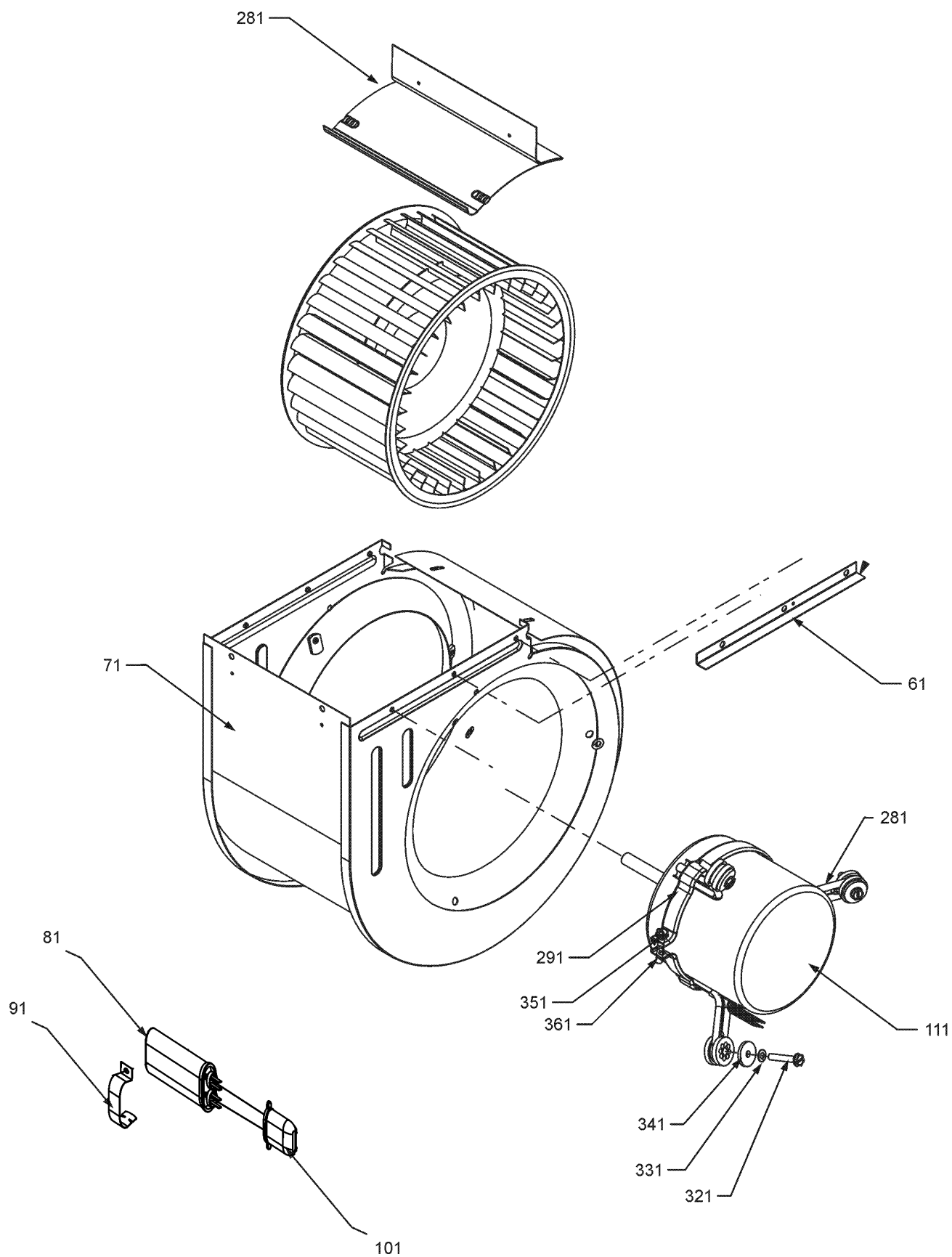
Heater Assemblies

Ref. Part No: No:	Description:	Ref. Part No: No:	Description:
Image 1:			
11	BT1420028	ASM, HEATER(SMALL 3KW) (M1, M4, M7, M11)	
11	BT1420034	ASSY, 10 KW HEATER LRG (M17, M23)	
11	BT1420039	ASSY, 10 KW HEATER LRG (M20, M26)	
11	BT1420031	ASSY, 10 KW HEATER SML (M10, M14)	
11	BT1420032	ASSY, 5 KW HEATER LRG (M15, M18, M21, M24)	
11	BT1420029	ASSY, 5 KW HEATER SML (M2, M5, M8, M12)	
11	BT1420030	ASSY, 7.3 KW HEATER SML (M3, M6, M9, M13)	
11	BT1420033	ASSY, 8 KW HEATER LRG (M16, M22)	
11	BT1420040	ASSY, 8 KW HEATER LRG (M19, M25)	
21	0130A00091	DISCONNECT, PULL OUT	
31	0130M00138	TRANSFORMER 208/230, 24V	
41	CONT2P040024V	CONTACTOR 40 AMP, 2P, 24V	
51	PCBFM103	ELECTRONIC BLOWER TIME DELAY (M1, M2, M3, M7, M8, M9, M10, M15, M16, M17, M21, M22, M23)	
211	0130M00129	HEAT RELAY, 208-230, 460, 575 (M25, M26)	
221	0161A00033	FUSE HOLDER (M4, M5, M6, M11, M12, M13, M14)	
NS	0130A00005	X-13 LOW VOLTAGE WIRE HARNESS (M24, M25, M26)	
NS	0130A00021	X-13 LOW VOLTAGE WIRE HARNESS (M18, M19, M20)	
NS	0130M00022	X-13 POWER HARNESS (M4, M5, M6, M11, M12, M13, M14)	

Expanded Model Nomenclature

- M1 - AWUF180316BB
- M2 - AWUF180516BB
- M3 - AWUF180816BB
- M4 - AWUF190316AA
- M5 - AWUF190516AA
- M6 - AWUF190816AA
- M7 - AWUF240316BB
- M8 - AWUF240516BB
- M9 - AWUF240816BB
- M10 - AWUF241016BB
- M11 - AWUF250316AA
- M12 - AWUF250516AA
- M13 - AWUF250816AA
- M14 - AWUF251016AA
- M15 - AWUF300516BC
- M16 - AWUF300816BC
- M17 - AWUF301016BC
- M18 - AWUF310516AB
- M19 - AWUF310816AB
- M20 - AWUF321016AB
- M21 - AWUF360516BC
- M22 - AWUF360816BC
- M23 - AWUF361016BC
- M24 - AWUF370516BB
- M25 - AWUF370816BB
- M26 - AWUF371016BB

Blower Assembly



Blower Assembly

Ref. Part No: No:	Description:	Ref. Part No: No:	Description:																										
Image 1:		Image 1:																											
61 3702702	BLOWER ANGLE 6.063" (M1, M2, M3, M4, M5, M6, M7, M8, M9, M10, M11, M12, M13, M14)	361 B1393800	LOCKNUT, NYLON, INSERT 1/4, 20 (M4, M5, M6, M11, M12, M13, M14, M18, M19, M20, M24, M25, M26)																										
61 3702701	BLOWER ANGLE 8.531" (M15, M16, M17, M18, M19, M20, M21, M22, M23, M24, M25, M26)	NS 3702705	BLOWER ANGLE 10" (M15, M16, M17, M18, M19, M20, M21, M22, M23, M24, M25, M26)																										
71 3760200	BLOWER HOUSING (M1, M2, M3, M4, M5, M6, M7, M8, M9, M10, M11, M12, M13, M14)	NS 3702700	BLOWER ANGLE 9" (M1, M2, M3, M4, M5, M6, M7, M8, M9, M10, M11, M12, M13, M14)																										
71 3760202	BLOWER HOUSING (M15, M16, M17, M18, M19, M20, M21, M22, M23, M24, M25, M26)	NS B1392143	GROMMET, 26TAL F/TORSIN FLEX (M15, M16, M17, M21, M22, M23)																										
81 CAP075000370LA	CAPACITOR 7.5/370V (M1, M2, M3, M7, M8, M9, M10, M15, M16, M17, M21, M22, M23)	NS BT1392108	RUBBER GROMMET																										
91 3784800	CAPACITOR STRAP (M1, M2, M3, M7, M8, M9, M10, M15, M16, M17, M21, M22, M23)	Expanded Model Nomenclature																											
101 B821700	CAPACITOR BOOT (M15, M16, M17, M21, M22, M23)	<table border="1"> <tr><td>M1 - AWUF180316BB</td></tr> <tr><td>M2 - AWUF180516BB</td></tr> <tr><td>M3 - AWUF180816BB</td></tr> <tr><td>M4 - AWUF190316AA</td></tr> <tr><td>M5 - AWUF190516AA</td></tr> <tr><td>M6 - AWUF190816AA</td></tr> <tr><td>M7 - AWUF240316BB</td></tr> <tr><td>M8 - AWUF240516BB</td></tr> <tr><td>M9 - AWUF240816BB</td></tr> <tr><td>M10 - AWUF241016BB</td></tr> <tr><td>M11 - AWUF250316AA</td></tr> <tr><td>M12 - AWUF250516AA</td></tr> <tr><td>M13 - AWUF250816AA</td></tr> <tr><td>M14 - AWUF251016AA</td></tr> <tr><td>M15 - AWUF300516BC</td></tr> <tr><td>M16 - AWUF300816BC</td></tr> <tr><td>M17 - AWUF301016BC</td></tr> <tr><td>M18 - AWUF310516AB</td></tr> <tr><td>M19 - AWUF310816AB</td></tr> <tr><td>M20 - AWUF321016AB</td></tr> <tr><td>M21 - AWUF360516BC</td></tr> <tr><td>M22 - AWUF360816BC</td></tr> <tr><td>M23 - AWUF361016BC</td></tr> <tr><td>M24 - AWUF370516BB</td></tr> <tr><td>M25 - AWUF370816BB</td></tr> <tr><td>M26 - AWUF371016BB</td></tr> </table>		M1 - AWUF180316BB	M2 - AWUF180516BB	M3 - AWUF180816BB	M4 - AWUF190316AA	M5 - AWUF190516AA	M6 - AWUF190816AA	M7 - AWUF240316BB	M8 - AWUF240516BB	M9 - AWUF240816BB	M10 - AWUF241016BB	M11 - AWUF250316AA	M12 - AWUF250516AA	M13 - AWUF250816AA	M14 - AWUF251016AA	M15 - AWUF300516BC	M16 - AWUF300816BC	M17 - AWUF301016BC	M18 - AWUF310516AB	M19 - AWUF310816AB	M20 - AWUF321016AB	M21 - AWUF360516BC	M22 - AWUF360816BC	M23 - AWUF361016BC	M24 - AWUF370516BB	M25 - AWUF370816BB	M26 - AWUF371016BB
M1 - AWUF180316BB																													
M2 - AWUF180516BB																													
M3 - AWUF180816BB																													
M4 - AWUF190316AA																													
M5 - AWUF190516AA																													
M6 - AWUF190816AA																													
M7 - AWUF240316BB																													
M8 - AWUF240516BB																													
M9 - AWUF240816BB																													
M10 - AWUF241016BB																													
M11 - AWUF250316AA																													
M12 - AWUF250516AA																													
M13 - AWUF250816AA																													
M14 - AWUF251016AA																													
M15 - AWUF300516BC																													
M16 - AWUF300816BC																													
M17 - AWUF301016BC																													
M18 - AWUF310516AB																													
M19 - AWUF310816AB																													
M20 - AWUF321016AB																													
M21 - AWUF360516BC																													
M22 - AWUF360816BC																													
M23 - AWUF361016BC																													
M24 - AWUF370516BB																													
M25 - AWUF370816BB																													
M26 - AWUF371016BB																													
111 BT1340030	BLOWER MOTOR 1/5 HP, 2 SP, 6 PL (M1, M2, M3, M7, M8, M9, M10)																												
111 BT1340031	BLOWER MOTOR, 1/3HP, 2SP, 6PL (M15, M16, M17, M21, M22, M23)																												
111 0131M00501	BLOWER MOTOR, 1/2HP, SELECTECH PROGRAM (M18)																												
111 0131M00502	BLOWER MOTOR, 1/2HP, SELECTECH PROGRAM (M19, M20)																												
111 0131M00503	BLOWER MOTOR, 1/2HP, SELECTECH PROGRAM (M24, M25, M26)																												
111 0131M00739	BLOWER MOTOR, 1/3HP, BROAD OCEAN (M4, M5, M6, M11, M12, M13, M14)																												
281 3739000	BLOWER CUT-OFF 6" (M1, M2, M3, M4, M5, M6, M7, M8, M9, M10, M11, M12, M13, M14)																												
281 3739002	BLOWER CUT-OFF LRG (M15, M16, M17, M18, M19, M20, M21, M22, M23, M24, M25, M26)																												
291 0121M00038	MOTOR MOUNT BAND (M4, M5, M6, M11, M12, M13, M14, M18, M19, M20, M24, M25, M26)																												
301 B1376853	MOTOR MOUNT ARM (M4, M5, M6, M11, M12, M13, M14)																												
301 B1376861	MOTOR MOUNT ARM (M18, M19, M20, M24, M25, M26)																												
311 BT1368008	BLOWER WHEEL 10 X 6 (M4, M5, M6, M7, M8, M9, M10, M11, M12, M13, M14)																												
311 B1368016	BLOWER WHEEL 10 X 8 (M18, M19, M20, M24, M25, M26)																												
311 B1368042	BLOWER WHEEL 9 X 6 (M1, M2, M3)																												
311 B1368036	BLOWER WHEEL 9 X 8 (M15, M16, M17, M21, M22, M23)																												
321 B1393322	MACHINE SCREW HWH 1/4-20 X 1-1/2 BZ (M4, M5, M6, M11, M12, M13, M14, M18, M19, M20, M24, M25, M26)																												
321 B1393309	MACHINE SCREW, 1/4-20 TPI X 3/4" LG (M1, M2, M3, M7, M8, M9, M10, M15, M16, M17, M21, M22, M23)																												
331 B1392820	WASHER, SPLIT LOCK 1/4 BZ (M4, M5, M6, M11, M12, M13, M14, M18, M19, M20, M24, M25, M26)																												
341 B1392918	WASHER, FLAT 1/4 ID X 1 OD (M4, M5, M6, M11, M12, M13, M14, M18, M19, M20, M24, M25, M26)																												
351 B1393323	MACHINE SCREW HWH 1/4-20 X 1-1/2 BZ (M4, M5, M6, M11, M12, M13, M14, M18, M19, M20, M24, M25, M26)																												