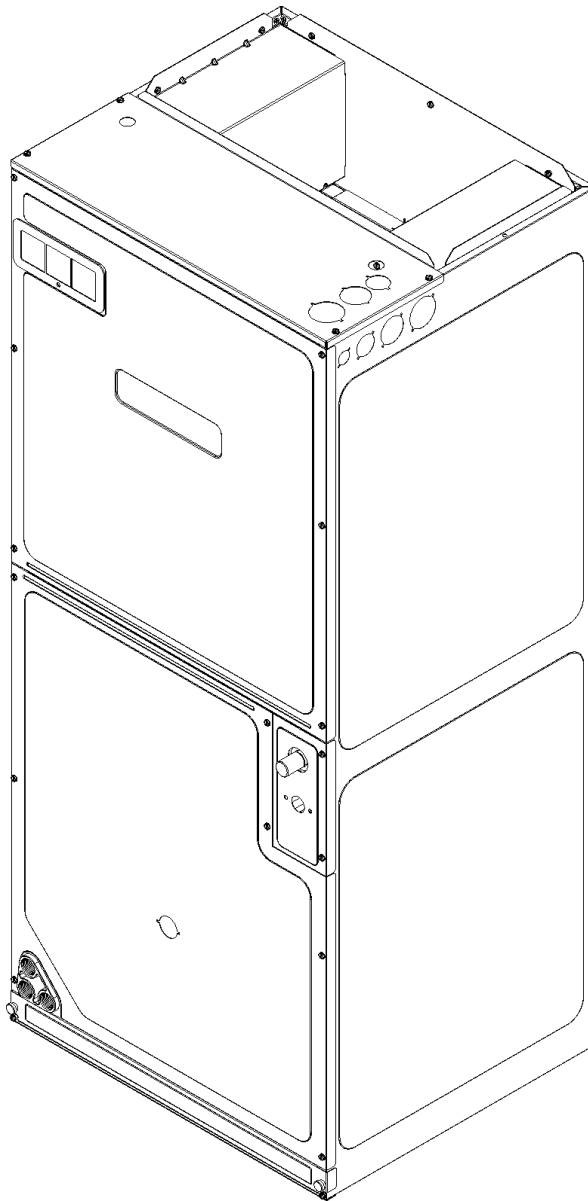


ASPT Air Handler

ASPT24B14AA
ASPT24B14AB
ASPT24B14AC
ASPT24B14AD
ASPT30C14AA
ASPT30C14AB
ASPT30C14AC
ASPT36C14AA
ASPT36C14AB
ASPT36C14AC
ASPT36C14AD
ASPT42C14AA
ASPT42C14AB
ASPT42D14AA
ASPT42D14AB
ASPT48C14AA
ASPT48C14AB
ASPT48D14AA
ASPT48D14AB
ASPT48D14AC
ASPT48D14AD
ASPT60D14AA
ASPT60D14AB
ASPT60D14AC



This manual is to be used by qualified technicians only.

This manual replaces RP-739D.

© 2012 - 2015 Goodman Manufacturing Company, L.P. ♦ 5151 San Felipe St., Suite 500 ♦ Houston, TX 77056

Important Information

Index

Functional Parts List	3
Illustration and Parts	4 - 9

Views shown are for parts illustrations only, not servicing procedures

Text Codes:

AR - As Required

NA - Not Available

NS - Not Shown

00000000 - See Note

QTY - Quantity Example (QTY 3) (If Quantity not shown, Quantity = 1)

M - Model Example (M1) (If M Code not shown, then part is used on all Models)

Expanded Model Nomenclature:

Example M1 - Model#1 M2 - Model#2 M3 - Model#3

Goodman Manufacturing Company, L.P. is not responsible for personal injury or property damage resulting from improper service. Review all service information before beginning repairs.

Warranty service must be performed by an authorized technician, using authorized factory parts. If service is required after the warranty expires, Goodman Manufacturing Company, L.P. also recommends contacting an authorized technician and using authorized factory parts.

Goodman Manufacturing Company, L.P. reserves the right to discontinue, or change at any time, specifications or designs without notice or without incurring obligations.

For assistance within the U.S.A. contact:
Consumer Affairs Department
Goodman Manufacturing Company, L.P.
7401 Security Way
Houston, Texas 77040
877-254-4729-Telephone
713-863-2382-Facsimile

For assistance outside the U.S.A. contact:
International Division
Goodman Manufacturing Company, L.P.
7401 Security Way
Houston, Texas 77040
713-861-2500-Telephone
713-863-2382-Facsimile

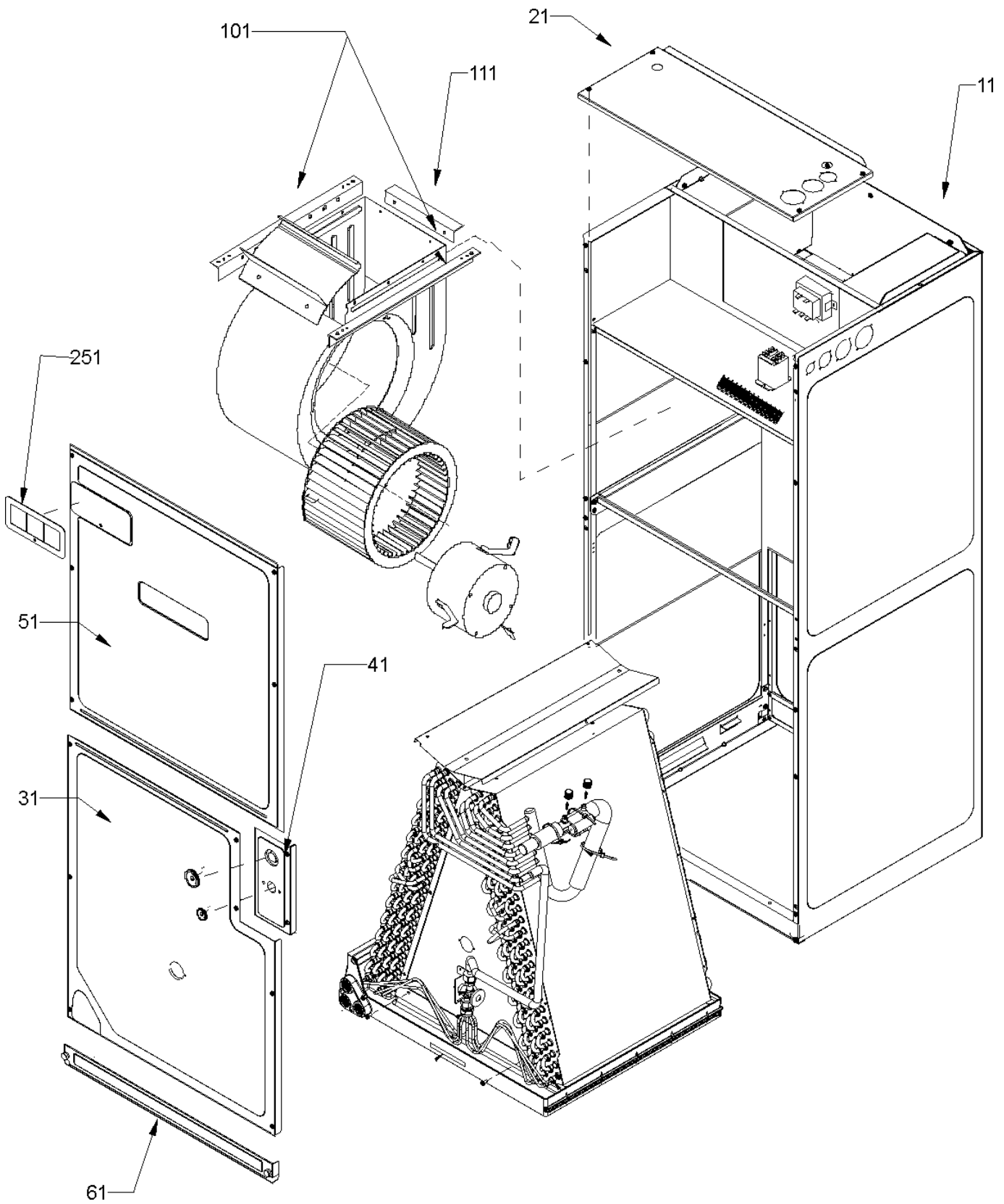
Functional Parts

Part

No: Description:

Part No:	Description:	Expanded Model Nomenclature
D6723311	BLOWER WHEEL (M20, M21, M22, M23, M24)	M1 - ASPT24B14AA
D6723306	BLOWER WHEEL (M12, M13, M14, M15, M16, M17)	M2 - ASPT24B14AB
B1368058	BLOWER WHEEL 10 X 8 (M5, M6, M7, M8, M9, M10, M11)	M3 - ASPT24B14AC
B1368042	BLOWER WHEEL 9 X 6 (M1, M2, M3, M4)	M4 - ASPT24B14AD
0150M00037	BLOWER WHEEL, 10 X 10 (M18, M19)	M5 - ASPT30C14AA
0131M00608	MOTOR 1 HP PROGRAMMED (M21)	M6 - ASPT30C14AB
0131M00514	MOTOR 1HP PROGRAMMED (M20)	M7 - ASPT30C14AC
0131M00512	MOTOR 1HP, PROGRAMMED (M22, M23)	M8 - ASPT36C14AA
0131M00743	MOTOR 3/4 HP MOTOR PROGRAMED (M11, M13)	M9 - ASPT36C14AB
0131M00744	MOTOR 3/4 HP MOTOR PROGRAMMED (M17)	M10 - ASPT36C14AC
0131M00745	MOTOR 3/4 HP MOTOR PROGRAMMED (M7)	M11 - ASPT36C14AD
0131M00746	MOTOR 3/4 HP MOTOR PROGRAMMED (M4)	M12 - ASPT42C14AA
0131M00607	MOTOR 3/4 HP MOTOR PROGRAMMED (M15)	M13 - ASPT42C14AB
0131M00513	MOTOR PROGRAMMED (M14)	M14 - ASPT42D14AA
0131M00611	MOTOR PROGRAMMED (M6)	M15 - ASPT42D14AB
0131M00476	MOTOR PROGRAMMED (M5)	M16 - ASPT48C14AA
0131M00606	MOTOR, 1 HP PROGRAMMED (M24)	M17 - ASPT48C14AB
0131M00393	Motor, 1/2 HP, Programmed (M1)	M18 - ASPT48D14AA
0131M00612	Motor, 3/4 HP, Programmed (M3)	M19 - ASPT48D14AB
0131M00609	Motor, 3/4 HP, Programmed (M10, M12)	M20 - ASPT48D14AC
0131M00481	Motor, 3/4 HP, Programmed (M2)	M21 - ASPT48D14AD
0131M00394	Motor, 3/4 HP, Programmed (M8, M9)	M22 - ASPT60D14AA
0131M00511	MOTOR-3/4 HP PROGRAM (M18, M19)	M23 - ASPT60D14AB
0131M00610	PROGRAMMED MOTOR, 3/4HP, X-13 (M16)	M24 - ASPT60D14AC
0130M00129	RELAY, WCK	
0130M00020	TERMINAL BOARD	
0130M00138	TRANSFORMER 208/230, 24V	
0151R00036	VALVE, TXV R-410A (M8)	
0151M00039	VALVE, TXV R-410A (M19, M20, M21, M23, M24)	
0151M00040	VALVE, TXV R-410A (M14, M15)	
0151M00045	VALVE, TXV R-410A (M9, M10, M11, M12, M13, M16, M17)	
0151R00019	VALVE, TXV R-410A (M1)	
0151R00035	VALVE, TXV R-410A (M18, M22)	
0151M00038	VALVE, TXV R-410A (M2, M3, M4, M5, M6, M7)	

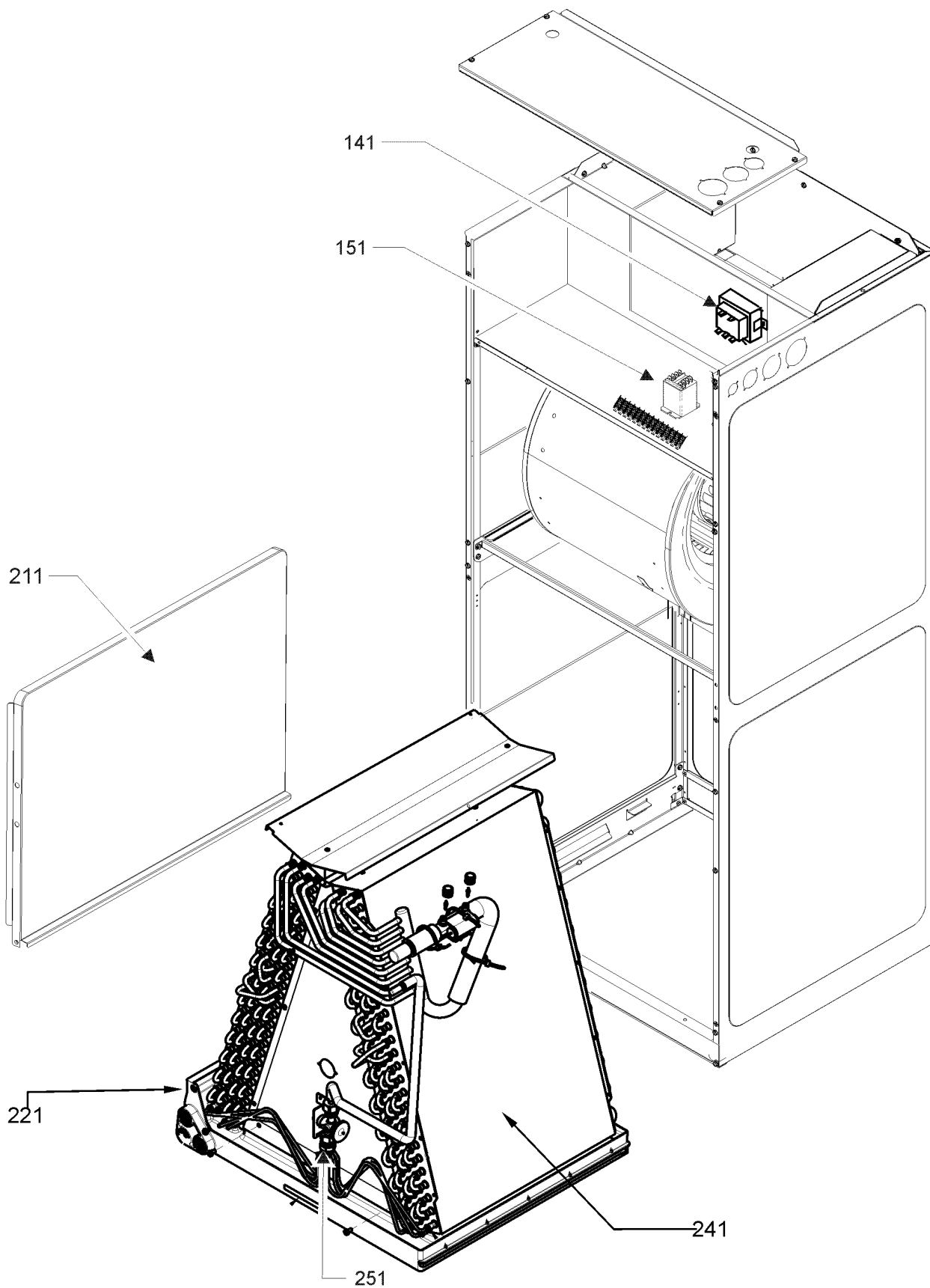
Cabinet Assy



Cabinet Assy

Ref. Part No: No:	Description:	Ref. Part No: No:	Description:
<i>Image 1:</i>		Expanded Model Nomenclature	
11	0270A00655PDG Wrapper Assy, Painted (M1, M2, M3, M4)	M1 - ASPT24B14AA	
11	0270A00689PDG Wrapper Assy, Painted (M5, M6, M7, M8, M9, M10, M11, M12, M13, M16, M17)	M2 - ASPT24B14AB	
11	0270A00690PDG Wrapper Assy, Painted (M14, M15, M18, M19, M20, M21, M22, M23, M24)	M3 - ASPT24B14AC	
21	0121A00373PDG Plate, Upper tie, Painted (M1, M2, M3, M4)	M4 - ASPT24B14AD	
21	0121A00374PDG Plate, Upper tie, Painted (M5, M6, M7, M8, M9, M10, M11, M12, M13, M16, M17)	M5 - ASPT30C14AA	
21	0121A00375PDG Plate, Upper tie, Painted (M14, M15, M18, M19, M20, M21, M22, M23, M24)	M6 - ASPT30C14AB	
31	0121A00655PDG LOWER ACCESS PANEL (M1, M2, M3, M4)	M7 - ASPT30C14AC	
31	0121A00656PDG LOWER ACCESS PANEL (M5, M6, M7, M8, M9, M10, M11, M12, M13, M16, M17)	M8 - ASPT36C14AA	
31	0121A00657PDG LOWER ACCESS PANEL (M14, M15, M18, M19, M20, M21, M22, M23, M24)	M9 - ASPT36C14AB	
41	0121A00661PDG REFRIGERATION TUBING PANEL	M10 - ASPT36C14AC	
51	0121A00609PDG UPPER ACCESS PANEL (M14, M15, M18, M19, M20, M21, M22, M23, M24)	M11 - ASPT36C14AD	
51	0121A00610PDG UPPER ACCESS PANEL (M5, M6, M7, M8, M9, M10, M11, M12, M13, M16, M17)	M12 - ASPT42C14AA	
51	0121A00611PDG UPPER ACCESS PANEL (M1, M2, M3, M4)	M13 - ASPT42C14AB	
61	0121A00242PDG Panel, Filter Access, Ptd (M1, M2, M3, M4)	M14 - ASPT42D14AA	
61	0121A00243PDG Panel, Filter Access, Ptd (M5, M6, M7, M8, M9, M10, M11, M12, M13, M16, M17)	M15 - ASPT42D14AB	
61	0121A00244PDG Panel, Filter Access, Ptd (M14, M15, M18, M19, M20, M21, M22, M23, M24)	M16 - ASPT48C14AA	
101	0121A00275 Rail, Blower (M20, M21, M22, M23, M24)	M17 - ASPT48C14AB	
101	0121A00336 Rail, Blower (M1, M2, M3, M4)	M18 - ASPT48D14AA	
111	0121A00337 Angle, Blower Mounting (M1, M2, M3, M4)	M19 - ASPT48D14AB	
111	0121A00353 Angle, Blower Mounting (M20, M21, M22, M23, M24)	M20 - ASPT48D14AC	
251	0161A00034 PLASTIC BREAKER INSERT (M1, M8, M18, M19, M22)	M21 - ASPT48D14AD	
NS	BT1369063 90 DEGREE STUB (M2, M3, M4, M5, M6, M7, M8, M9, M10, M11, M14, M15, M18, M19, M20, M21, M22, M23, M24)	M22 - ASPT60D14AA	
NS	0164A00002 GROMMET	M23 - ASPT60D14AB	
NS	B1392630 GROMMET (M1, M2, M5, M6, M7, M8, M9, M10, M11, M12, M13, M14, M15, M16, M17, M18, M19, M20, M21, M22, M23, M24)	M24 - ASPT60D14AC	
NS	0163A00026 THUMB SCREW (QTY 2)		

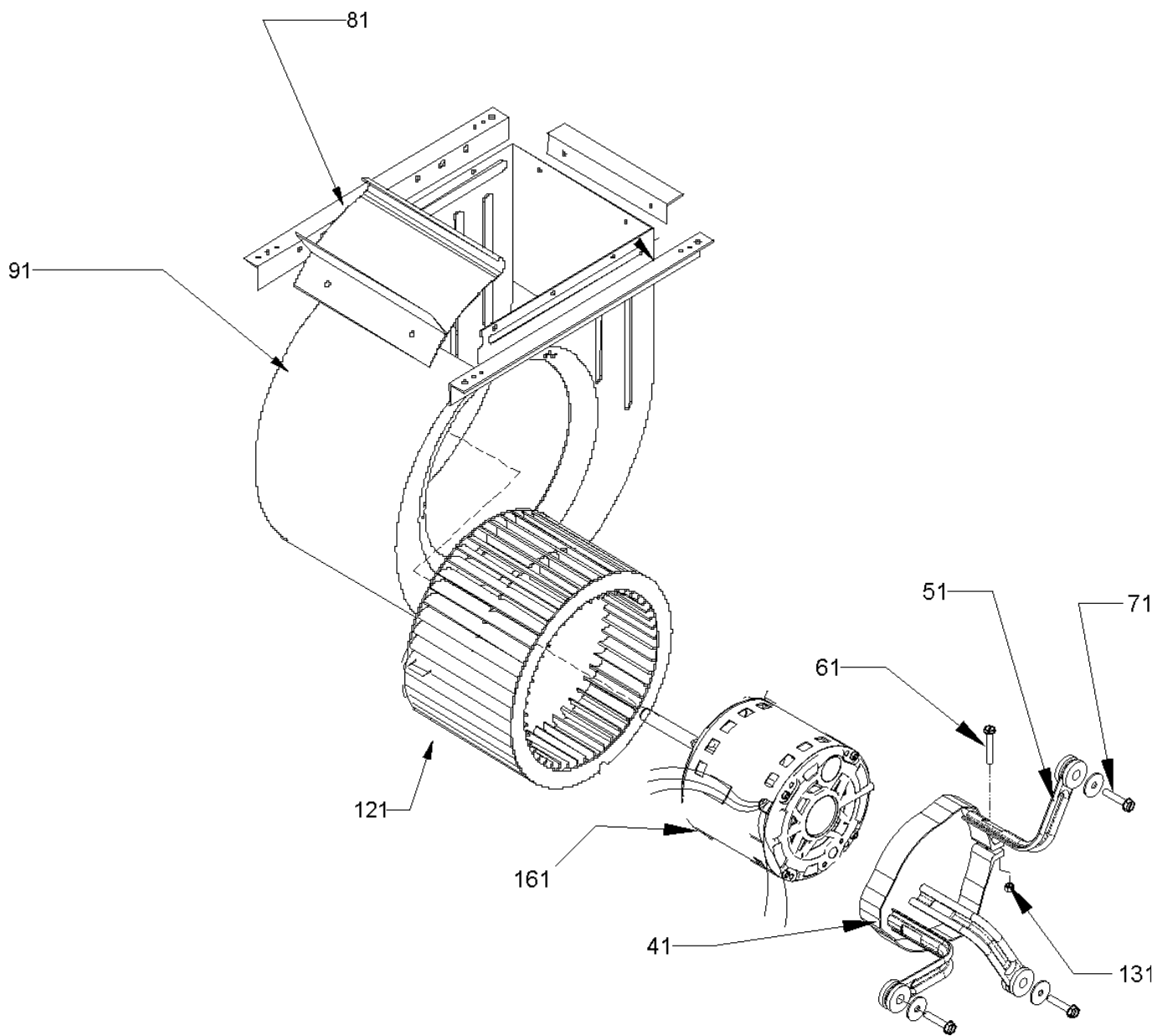
Internal Components



Internal Components

Ref. Part No:	Description:	Ref. Part No:	Description:
Image 1:		Expanded Model Nomenclature	
141	0130M00138 TRANSFORMER 208/230, 24V	M1	ASPT24B14AA
151	0130M00129 RELAY, WCK	M2	ASPT24B14AB
211	0121A00304PDG Drip Shield, Ptd (M1, M2, M3, M4)	M3	ASPT24B14AC
211	0121A00305PDG Drip Shield, Ptd (M5, M6, M7, M8, M9, M10, M11, M12, M13, M16, M17)	M4	ASPT24B14AD
211	0121A00306PDG Drip Shield, Ptd (M14, M15, M18, M19, M20, M21, M22, M23, M24)	M5	ASPT30C14AA
221	0161A00026 DRAIN PAN (M1, M2, M3, M4)	M6	ASPT30C14AB
221	0161A00027 DRAIN PAN (M5, M6, M7, M8, M9, M10, M11, M12, M13, M16, M17)	M7	ASPT30C14AC
221	0161A00028 DRAIN PAN (M14, M15, M18, M19, M20, M21, M22, M23, M24)	M8	ASPT36C14AA
241	0270A00680 COIL TUBING ASSY (M22)	M9	ASPT36C14AB
241	0270A00685 COIL TUBING ASSY (M1)	M10	ASPT36C14AC
241	0270A00686 COIL TUBING ASSY (M18)	M11	ASPT36C14AD
241	0270A00691 COIL TUBING ASSY (M8)	M12	ASPT42C14AA
241	0270A00699 COIL TUBING ASSY (M2)	M13	ASPT42C14AB
241	0270A00702 COIL TUBING ASSY (M9)	M14	ASPT42D14AA
241	0270A00702 COIL TUBING ASSY (M9)	M15	ASPT42D14AB
241	0270A00704 COIL TUBING ASSY (M14)	M16	ASPT48C14AA
241	0270A00705 COIL TUBING ASSY (M19)	M17	ASPT48C14AB
241	0270A00708 COIL TUBING ASSY (M20, M23)	M18	ASPT48D14AA
241	0270A00715 Coil Tubing assy (M5)	M19	ASPT48D14AB
241	0270A00820 COIL TUBING ASSY (M3, M4)	M20	ASPT48D14AC
241	0270A00821 COIL TUBING ASSY (M10, M11)	M21	ASPT48D14AD
241	0270A00822 COIL TUBING ASSY (M15)	M22	ASPT60D14AA
241	0270A00824 COIL TUBING ASSY (M21, M24)	M23	ASPT60D14AB
241	0270A00826 COIL TUBING ASSY (M6, M7)	M24	ASPT60D14AC
241	0270A00990 COIL TUBING ASSY (M12, M13, M16, M17)		
251	0151M00038 VALVE, TXV R-410A (M2, M3, M4, M5, M6, M7)		
251	0151M00039 VALVE, TXV R-410A (M19, M20, M21, M23, M24)		
251	0151M00040 VALVE, TXV R-410A (M14, M15)		
251	0151M00045 VALVE, TXV R-410A (M9, M10, M11, M12, M13, M16, M17)		
251	0151R00019 VALVE, TXV R-410A (M1)		
251	0151R00035 VALVE, TXV R-410A (M18, M22)		
251	0151R00036 VALVE, TXV R-410A (M8)		
NS	0163M00175 CAP WITH O-RING		
NS	0161A00024 Plastic Condensate Collector (M1, M8, M18, M19, M22)		
NS	0161A00025 Plastic Condensate Collector (M1, M8, M18, M19, M22)		
NS	0161A00047 Plastic Condensate Collector (M2, M3, M4, M5, M6, M7, M9, M10, M11, M12, M13, M14, M15, M16, M17, M20, M21, M23, M24)		
NS	0161A00048 Plastic Condensate Collector (M2, M3, M4, M5, M6, M7, M9, M10, M11, M12, M13, M14, M15, M16, M17, M20, M21, M23, M24)		
NS	0130M00020 TERMINAL BOARD		
NS	B1787000 VALVE CORE		
NS	0259A00012P WIRE ASSY, 9 PIN FEMALE CONN.		
NS	0259A00014P WIRE ASSY, 9 PINN MALE CONN.		
NS	0130M00021 WIRE HARNESS, X-13 LOW VOLTAGE		
NS	0130M00022 X-13 POWER HARNESS		

Blower Components



Blower Components

Ref. Part No: No:	Description:	Ref. Part No: No:	Description:
<i>Image 1:</i>		Expanded Model Nomenclature	
41	0121M00038	MOTOR MOUNT BAND (M1, M2, M3, M4, M5, M6, M7, M8, M9, M10, M11)	M1 - ASPT24B14AA
41	0121M00039	MOTOR MOUNT BAND (HEAVY DUTY) (M12, M13, M14, M15, M16, M17, M18, M19, M20, M21, M22, M23, M24)	M2 - ASPT24B14AB
51	B1376853	MOTOR MOUNT ARM (M5, M6, M7, M8, M9, M10, M11)	M3 - ASPT24B14AC
51	B1376861	MOTOR MOUNT ARM (M1, M2, M3, M4)	M4 - ASPT24B14AD
51	B1376863	MOTOR MOUNT ARM (HEAVY DUTY) (M12, M13, M14, M15, M16, M17, M18, M19, M20, M21, M22, M23, M24)	M5 - ASPT30C14AA
61	0163M00320	HEX HEAD ALL THREAD TAP BOLT (M3, M4, M6, M7, M10, M11, M12, M13, M15, M16, M17, M21, M24)	M6 - ASPT30C14AB
61	B1393323	MACHINE SCREW HWH 1/4-20 X 1-1/2 BZ (M1, M2, M5, M8, M9, M14, M18, M19, M20, M22, M23)	M7 - ASPT30C14AC
71	M0250565	TC SCREW 1.25" (QTY 3)	M8 - ASPT36C14AA
81	764741	BLOWER BLOCK-OFF 10 X 10 (M12, M13, M14, M15, M16, M17, M18, M19)	M9 - ASPT36C14AB
81	764740	BLOWER BLOCK-OFF 10 X 8 (M5, M6, M7, M8, M9, M10, M11)	M10 - ASPT36C14AC
81	1864700	BLOWER CUT-OFF 10 X 10 (M20, M21, M22, M23, M24)	M11 - ASPT36C14AD
81	764733	BLOWER CUT-OFF 9 X 6 (M1, M2, M3, M4)	M12 - ASPT42C14AA
91	0271A00016	BLOWER HOUSING ASSY 10 X 10 (M12, M13, M14, M15, M16, M17, M18, M19)	M13 - ASPT42C14AB
91	0271A00029	BLOWER HOUSING ASSY 10 X 8 (M5, M6, M7, M8, M9, M10, M11)	M14 - ASPT42D14AA
91	0271A00013	BLOWER HOUSING ASSY 11 X 10 (M20, M21, M22, M23, M24)	M15 - ASPT42D14AB
91	1439389	BLOWER HOUSING ASSY 9 X 6 (M1, M2, M3, M4)	M16 - ASPT48C14AA
121	D6723306	BLOWER WHEEL (M12, M13, M14, M15, M16, M17)	M17 - ASPT48C14AB
121	D6723311	BLOWER WHEEL (M20, M21, M22, M23, M24)	M18 - ASPT48D14AA
121	B1368058	BLOWER WHEEL 10 X 8 (M5, M6, M7, M8, M9, M10, M11)	M19 - ASPT48D14AB
121	B1368042	BLOWER WHEEL 9 X 6 (M1, M2, M3, M4)	M20 - ASPT48D14AC
121	0150M00037	BLOWER WHEEL, 10 X 10 (M18, M19)	M21 - ASPT48D14AD
131	B1393800	LOCKNUT, NYLON, INSERT 1/4, 20	M22 - ASPT60D14AA
161	0131M00608	MOTOR 1 HP PROGRAMMED (M21)	M23 - ASPT60D14AB
161	0131M00514	MOTOR 1HP PROGRAMMED (M20)	M24 - ASPT60D14AC
161	0131M00512	MOTOR 1HP, PROGRAMMED (M22, M23)	
161	0131M00743	MOTOR 3/4 HP MOTOR PROGRAMED (M11, M13)	
161	0131M00607	MOTOR 3/4 HP MOTOR PROGRAMMED (M15)	
161	0131M00744	MOTOR 3/4 HP MOTOR PROGRAMMED (M17)	
161	0131M00745	MOTOR 3/4 HP MOTOR PROGRAMMED (M7)	
161	0131M00746	MOTOR 3/4 HP MOTOR PROGRAMMED (M4)	
161	0131M00476	MOTOR PROGRAMMED (M5)	
161	0131M00513	MOTOR PROGRAMMED (M14)	
161	0131M00611	MOTOR PROGRAMMED (M6)	
161	0131M00606	MOTOR, 1 HP PROGRAMMED (M24)	
161	0131M00393	Motor, 1/2 HP, Programmed (M1)	
161	0131M00394	Motor, 3/4 HP, Programmed (M8, M9)	
161	0131M00481	Motor, 3/4 HP, Programmed (M2)	
161	0131M00609	Motor, 3/4 HP, Programmed (M10, M12)	
161	0131M00612	Motor, 3/4 HP, Programmed (M3)	
161	0131M00511	MOTOR-3/4 HP PROGRAM (M18, M19)	
161	0131M00610	PROGRAMMED MOTOR, 3/4HP, X-13 (M16)	
NS	B1392918	WASHER, FLAT 1/4 ID X 1 OD (QTY 3)	