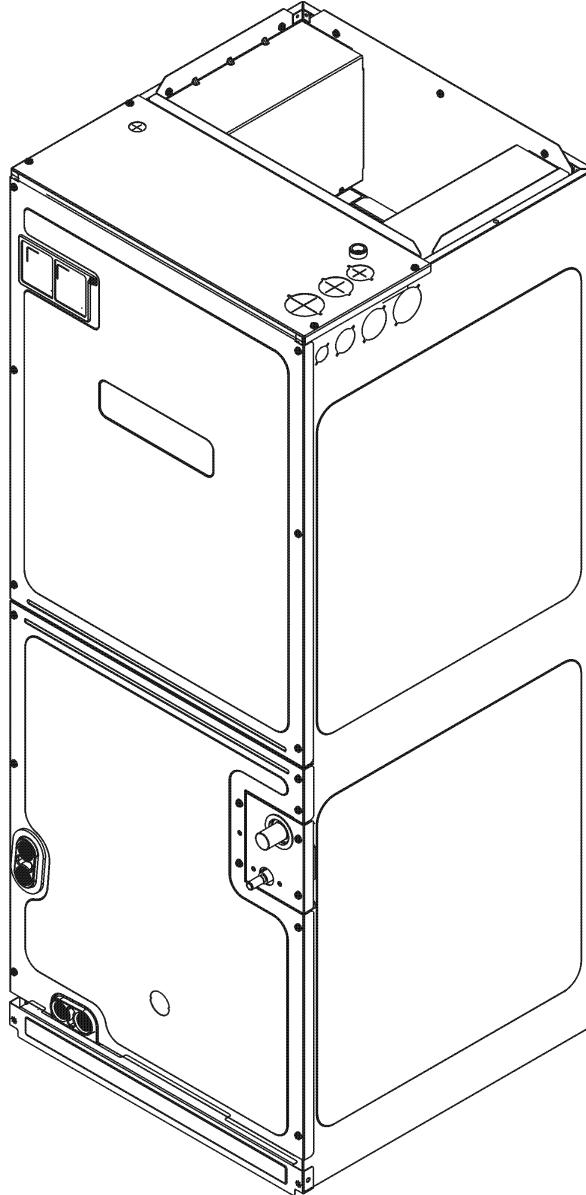


# REPAIR PARTS

---

## ARUF Air Handler

ARUF25B14AA  
ARUF29B14AA  
ARUF31B14AA  
ARUF37C14AA  
ARUF37D14AA  
ARUF43C14AA  
ARUF43D14AA  
ARUF47D14AA  
ARUF49C14AA  
ARUF49D14AA  
ARUF61D14AA



This manual is to be used by qualified technicians only.

This manual replaces RP-4006B.

© 2014-2015 Goodman Manufacturing Company, L.P. ♦ 5151 San Felipe St., Suite 500 ♦ Houston, TX 77056

# Important Information

---

## Index

|                              |       |
|------------------------------|-------|
| Functional Parts List .....  | 3     |
| Illustration and Parts ..... | 4 - 9 |

*Views shown are for parts illustrations only, not servicing procedures*

Rev C: adding vertical drain pan part # to coil assy.

### Text Codes:

AR - As Required

NA - Not Available

NS - Not Shown

00000000 - See Note

QTY - Quantity Example (QTY 3) (If Quantity not shown, Quantity = 1)

M - Model Example (M1) (If M Code not shown, then part is used on all Models)

### Expanded Model Nomenclature:

|   |
|---|
| Example<br>M1 - Model#1<br>M2 - Model#2<br>M3 - Model#3 |
|---|

Goodman Manufacturing Company, L.P. is not responsible for personal injury or property damage resulting from improper service. Review all service information before beginning repairs.

Warranty service must be performed by an authorized technician, using authorized factory parts. If service is required after the warranty expires, Goodman Manufacturing Company, L.P. also recommends contacting an authorized technician and using authorized factory parts.

Goodman Manufacturing Company, L.P. reserves the right to discontinue, or change at any time, specifications or designs without notice or without incurring obligations.

For assistance within the U.S.A. contact:  
Consumer Affairs Department  
Goodman Manufacturing Company, L.P.  
7401 Security Way  
Houston, Texas 77040  
877-254-4729-Telephone  
713-863-2382-Facsimile

For assistance outside the U.S.A. contact:  
International Division  
Goodman Manufacturing Company, L.P.  
7401 Security Way  
Houston, Texas 77040  
713-861-2500-Telephone  
713-863-2382-Facsimile

# Functional Parts

## Part

## No: Description:

---

|                |   |
|----------------|---|
| 11091204       | BLOWER MOTOR 1/2 HP, 3 SP, 8 PL (M7, M8, M10) |
| 11091203       | BLOWER MOTOR 1/3 HP, 3 SP, 6 PL (M4, M5, M6)  |
| 0131M00005P    | BLOWER MOTOR 1/3 HP, 3 SP, 6 PL (M1, M2, M3)  |
| 0131M00676     | BLOWER MOTOR, 1/2HP, 3SP, 8PL (M9)            |
| 0131M00297     | BLOWER MOTOR, 3/4 HP, 3 SP (M11)              |
| D6723306       | BLOWER WHEEL (M5, M7, M8, M9, M10)            |
| CAP250000370CP | CAP, 25 MFD/370V/ RD (M11)                    |
| CAP100000370LA | CAPACITOR 10/370V (M1, M2, M3, M4, M5, M6)    |
| CAP150000370LA | CAPACITOR 15/370V (M7, M8, M9, M10)           |
| PCBFM103       | ELECTRONIC BLOWER TIME DELAY                  |
| 0130M00138     | TRANSFORMER 208/230, 24V                      |

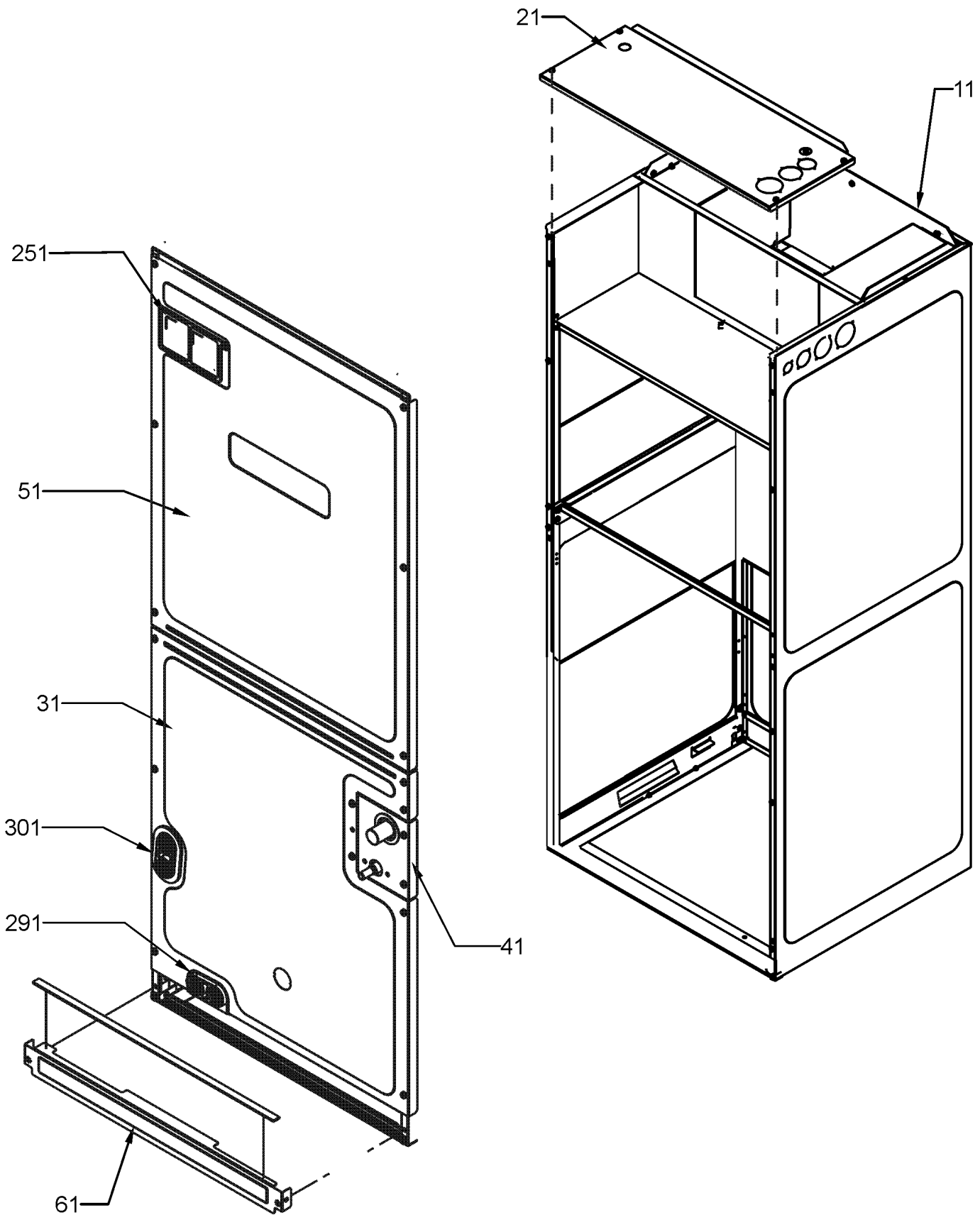
## SPECIAL PARTS

PKCG-4001J PISTON KIT

## Expanded Model Nomenclature

|                   |
|-------------------|
| M1 - ARUF25B14AA  |
| M2 - ARUF29B14AA  |
| M3 - ARUF31B14AA  |
| M4 - ARUF37C14AA  |
| M5 - ARUF37D14AA  |
| M6 - ARUF43C14AA  |
| M7 - ARUF43D14AA  |
| M8 - ARUF47D14AA  |
| M9 - ARUF49C14AA  |
| M10 - ARUF49D14AA |
| M11 - ARUF61D14AA |

# Cabinet Assy



# Cabinet Assy

| Ref. Part No: No: | Description: | Ref. Part No: No: | Description: |
|-------------------|--------------|-------------------|--------------|
|-------------------|--------------|-------------------|--------------|

**Image 1:**

|     |               |  |
|-----|---------------|--|
| 11  | 0121A00276PDG | WRAPPER (M8, M11)                          |
| 11  | 0121A00281PDG | WRAPPER (M1, M2)                           |
| 11  | 0121A00455PDG | WRAPPER (M5, M7, M10)                      |
| 11  | 0121A00456PDG | WRAPPER (M4, M6, M9)                       |
| 11  | 0121A00458PDG | WRAPPER (M3)                               |
| 21  | 0121A00252PDG | UPPER TIE PLATE (M1, M2, M3)               |
| 21  | 0121A00253PDG | UPPER TIE PLATE (M4, M6, M9)               |
| 21  | 0121A00254PDG | UPPER TIE PLATE (M5, M7, M8, M10, M11)     |
| 31  | 0121A00460PDG | LOWER ACCESS PANEL (M5, M7, M10)           |
| 31  | 0121A00461PDG | LOWER ACCESS PANEL (M4, M6, M9)            |
| 31  | 0121A00463PDG | LOWER ACCESS PANEL (M3)                    |
| 31  | 0121A00618PDG | LOWER ACCESS PANEL (M8, M11)               |
| 31  | 0121A00620PDG | LOWER ACCESS PANEL (M1, M2)                |
| 41  | 0121A00595PDG | REFRIGERATION TUBING PANEL                 |
| 51  | 0121A00609PDG | UPPER ACCESS PANEL (M5, M7, M8, M10, M11)  |
| 51  | 0121A00610PDG | UPPER ACCESS PANEL (M4, M6, M9)            |
| 51  | 0121A00611PDG | UPPER ACCESS PANEL (M1, M2, M3)            |
| 61  | 0121A00242PDG | FILTER ACCESS PANEL (M1, M2, M3)           |
| 61  | 0121A00243PDG | FILTER ACCESS PANEL (M4, M6, M9)           |
| 61  | 0121A00244PDG | FILTER ACCESS PANEL (M5, M7, M8, M10, M11) |
| 251 | 0161A00034    | PLASTIC BREAKER INSERT                     |
| NS  | BT1369063     | 90 DEGREE STUB                             |
| NS  | 0163A00026    | THUMB SCREW (QTY 2)                        |

**Expanded Model Nomenclature**

|                   |
|-------------------|
| M1 - ARUF25B14AA  |
| M2 - ARUF29B14AA  |
| M3 - ARUF31B14AA  |
| M4 - ARUF37C14AA  |
| M5 - ARUF37D14AA  |
| M6 - ARUF43C14AA  |
| M7 - ARUF43D14AA  |
| M8 - ARUF47D14AA  |
| M9 - ARUF49C14AA  |
| M10 - ARUF49D14AA |
| M11 - ARUF61D14AA |

# Control Panel / Coil Assy

IMAGE 1

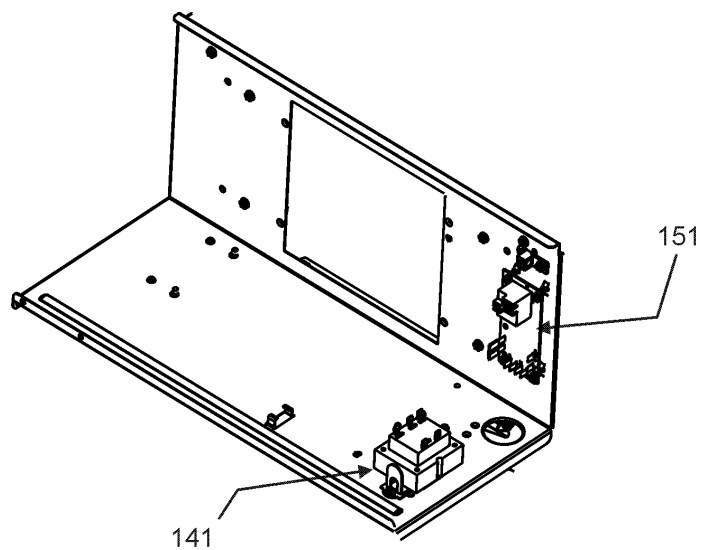
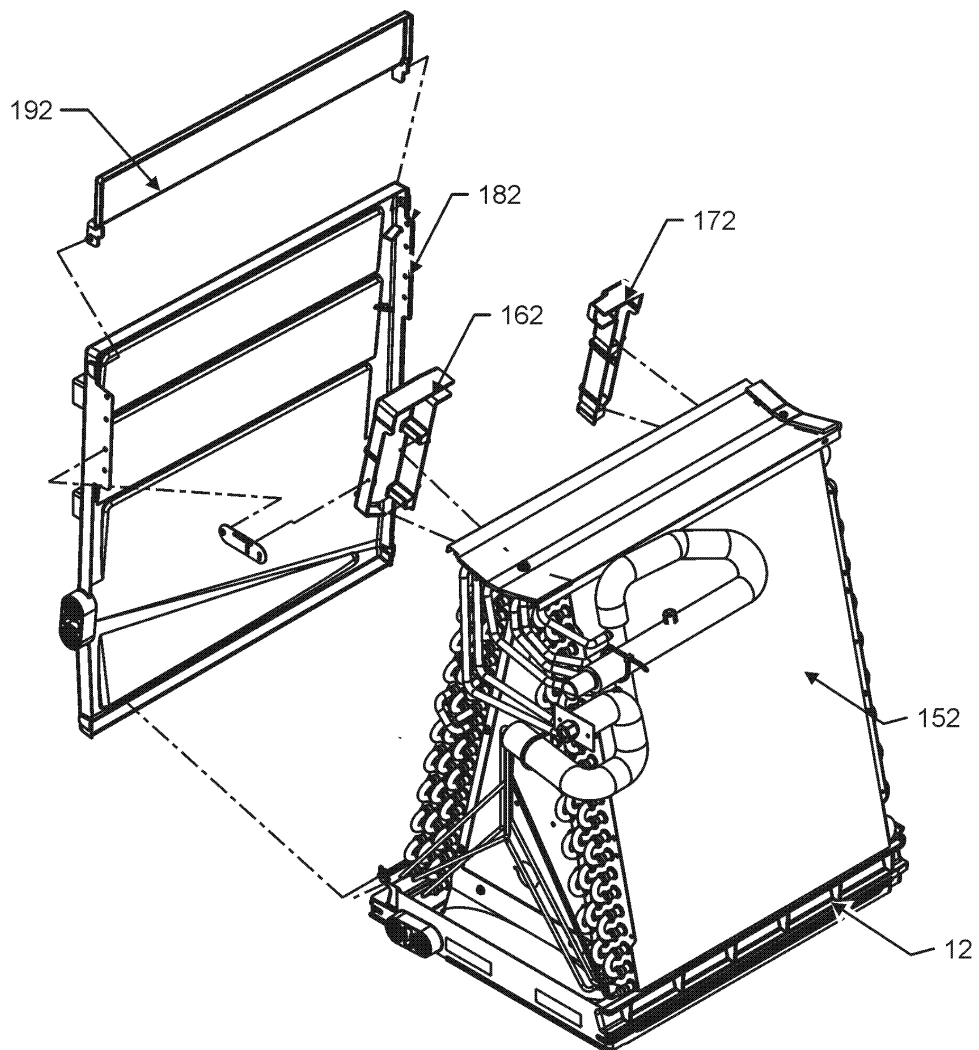


IMAGE 2



# Control Panel / Coil Assy

| Ref. Part No:   | Part No:     | Description:  | Ref. Part No: | Part No: | Description: |
|-----------------|--------------|---|---------------|----------|--------------|
| <b>Image 1:</b> |              |   |               |          |              |
| 141             | 0130M00138   | TRANSFORMER 208/230, 24V  |               |          |              |
| 151             | PCBFM103     | ELECTRONIC BLOWER TIME DELAY                                      |               |          |              |
| NS              | 0259A00012P  | WIRE ASSY, 9 PIN FEMALE CONN.                                     |               |          |              |
| NS              | 0259A00013P  | WIRE ASSY, 9 PIN MALE CONN.                                       |               |          |              |
| <b>Image 2:</b> |              |   |               |          |              |
| 12              | 0161A00049   | DRAINPAN, VERTICAL (M1, M2, M3)                                   |               |          |              |
| 12              | 0161A00051   | DRAINPAN, VERTICAL (M5, M7, M8, M10, M11)                         |               |          |              |
| 12              | 0161A00052   | DRAINPAN, VERTICAL (M4, M6, M9)                                   |               |          |              |
| 152             | 0270A00975   | COIL TUBING ASSEMBLY (M11)  |               |          |              |
| 152             | 0270A00976   | COIL TUBING ASSEMBLY (M8)   |               |          |              |
| 152             | 0270A00977   | COIL TUBING ASSEMBLY (M5)   |               |          |              |
| 152             | 0270A00978   | COIL TUBING ASSEMBLY (M9)   |               |          |              |
| 152             | 0270A00979   | COIL TUBING ASSEMBLY (M3)   |               |          |              |
| 152             | 0270A00980   | COIL TUBING ASSEMBLY (M1)   |               |          |              |
| 152             | 0270A00983   | COIL TUBING ASSEMBLY (M6)   |               |          |              |
| 152             | 0270A00984   | COIL TUBING ASSEMBLY (M4)   |               |          |              |
| 152             | 0270A00987   | COIL TUBING ASSEMBLY (M2)   |               |          |              |
| 152             | 0270A00988   | COIL TUBING ASSEMBLY (M10)  |               |          |              |
| 152             | 0270A00989   | COIL TUBING ASSEMBLY (M7)   |               |          |              |
| 162             | 0161A00060   | CONDENSATE, COLLECT, FRONT  |               |          |              |
| 172             | 0161A00061   | CONDENSATE, COLLECT, BACK   |               |          |              |
| 182             | 0161A00053   | DRAIN PAN HORIZONTAL, TALL (M3, M4, M5, M6, M7, M8, M9, M10, M11) |               |          |              |
| 182             | 0161A00055   | DRAIN PAN HORIZONTAL, SMALL (M1, M2)                              |               |          |              |
| 192             | 0161A00054   | DRAIN PAN, EXTENSION, SMALL (M1, M2, M3, M4, M5, M6, M7, M9, M10) |               |          |              |
| 192             | 0161A00056   | DRAIN PAN, EXTENSION, TALL (M8, M11)                              |               |          |              |
| 292             | 0154A00006BL | Gasket, Drain Pan   |               |          |              |
| 302             | 0154A00007BL | Gasket, Drain Pan   |               |          |              |
| NS              | 0163M00175   | CAP WITH O-RING   |               |          |              |
| NS              | PKCG-4001J   | PISTON KIT  |               |          |              |
| NS              | B1787000     | VALVE CORE  |               |          |              |

## Expanded Model Nomenclature

|                   |
|-------------------|
| M1 - ARUF25B14AA  |
| M2 - ARUF29B14AA  |
| M3 - ARUF31B14AA  |
| M4 - ARUF37C14AA  |
| M5 - ARUF37D14AA  |
| M6 - ARUF43C14AA  |
| M7 - ARUF43D14AA  |
| M8 - ARUF47D14AA  |
| M9 - ARUF49C14AA  |
| M10 - ARUF49D14AA |
| M11 - ARUF61D14AA |

# Blower Components

IMAGE 1

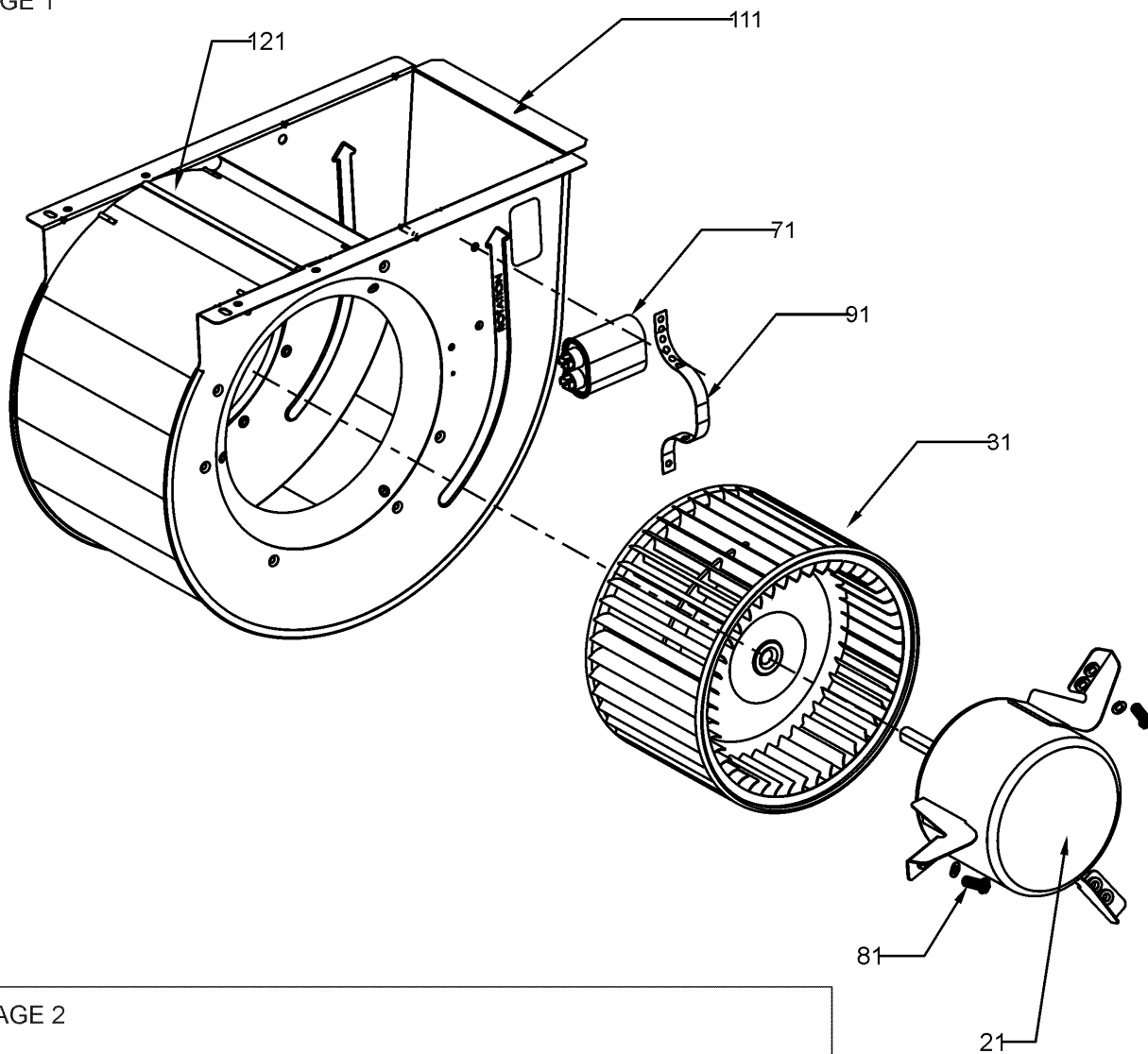
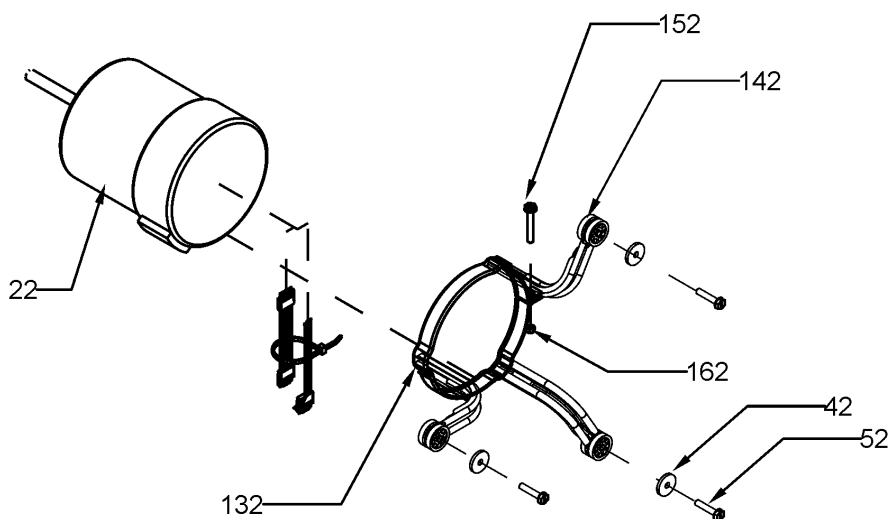


IMAGE 2





# Blower Components

| Ref. Part No: No: | Description: | Ref. Part No: No: | Description: |
|-------------------|--------------|-------------------|--------------|
|-------------------|--------------|-------------------|--------------|

**Image 1:**

|     |                |   |
|-----|----------------|---|
| 21  | 0131M00005P    | BLOWER MOTOR 1/3 HP, 3 SP, 6 PL (M1, M2, M3)      |
| 21  | 11091203       | BLOWER MOTOR 1/3 HP, 3 SP, 6 PL (M4, M5, M6)      |
| 31  | D6723306       | BLOWER WHEEL (M5, M7, M8, M9, M10)                |
| 71  | CAP250000370CP | CAP, 25 MFD/370V/ RD (M11)                        |
| 71  | CAP100000370LA | CAPACITOR 10/370V (M1, M2, M3, M4, M5, M6)        |
| 71  | CAP150000370LA | CAPACITOR 15/370V (M7, M8, M9, M10)               |
| 81  | M0250558       | TC SCREW (M1, M2, M3, M4, M5, M6)                 |
| 91  | 1284835        | CAPACITOR STRAP                                   |
| 111 | 0271A00205     | BLOWER ASSY (M1, M2, M3)                          |
| 111 | 0271A00016     | BLOWER HOUSING ASSY 10 X 10 (M5, M7, M8, M9, M10) |
| 111 | 0271A00029     | BLOWER HOUSING ASSY 10 X 8 (M4, M6)               |
| 111 | 0271A00206     | BLOWER SHELL ASSY (M11)                           |
| 121 | 764741         | BLOWER BLOCK-OFF 10 X 10 (M5, M7, M8, M9, M10)    |
| 121 | 764740         | BLOWER BLOCK-OFF 10 X 8 (M4, M6)                  |

**Image 2:**

|     |            |  |
|-----|------------|--|
| 22  | 11091204   | BLOWER MOTOR 1/2 HP, 3 SP, 8 PL (M7, M8, M10)              |
| 22  | 0131M00676 | BLOWER MOTOR, 1/2HP, 3SP, 8PL (M9)                         |
| 22  | 0131M00297 | BLOWER MOTOR, 3/4 HP, 3 SP (M11)                           |
| 42  | B1392918   | WASHER, FLAT 1/4 ID X 1 OD (M7, M8, M9, M10, M11)          |
| 52  | M0250565   | TC SCREW 1.25" (M7, M8, M9, M10, M11)                      |
| 132 | 0121M00039 | MOTOR MOUNT BAND (HEAVY DUTY) (M7, M8, M9, M10, M11)       |
| 142 | B1376863   | MOTOR MOUNT ARM (HEAVY DUTY) (M7, M8, M9, M10, M11)        |
| 152 | B1393323   | MACHINE SCREW HWH 1/4-20 X 1-1/2 BZ (M7, M8, M9, M10, M11) |
| 162 | B1393800   | LOCKNUT, NYLON, INSERT 1/4, 20 (M7, M8, M9, M10, M11)      |

**Expanded Model Nomenclature**

|                   |
|-------------------|
| M1 - ARUF25B14AA  |
| M2 - ARUF29B14AA  |
| M3 - ARUF31B14AA  |
| M4 - ARUF37C14AA  |
| M5 - ARUF37D14AA  |
| M6 - ARUF43C14AA  |
| M7 - ARUF43D14AA  |
| M8 - ARUF47D14AA  |
| M9 - ARUF49C14AA  |
| M10 - ARUF49D14AA |
| M11 - ARUF61D14AA |