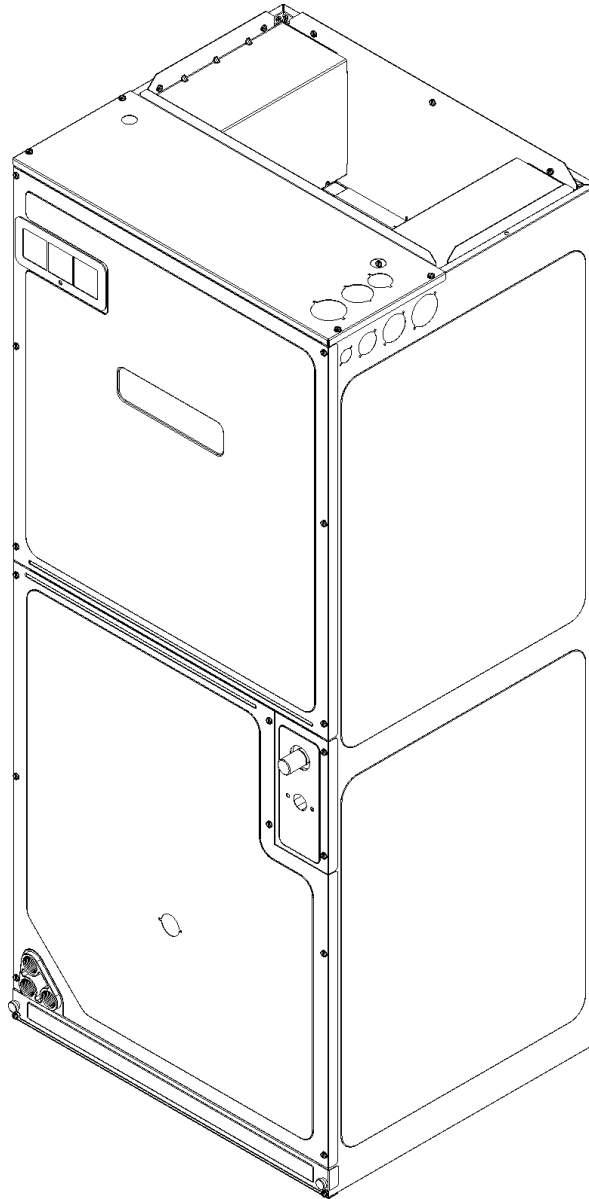


REPAIR PARTS

ARPT Air Handlers

ARPT18B14AA
ARPT18B14AB
ARPT24B14AA
ARPT24B14AB
ARPT30B14AA
ARPT30B14AB
ARPT36C14AA
ARPT36C14AB
ARPT36D14AA
ARPT36D14AB
ARPT42D14AA
ARPT42D14AB
ARPT48D14AA
ARPT48D14AB
ARPT60D14AA
ARPT60D14AB



This manual is to be used by qualified technicians only.

This manual replaces RP-701A.

© 2012-2013 Goodman Manufacturing Company, L.P. ♦ 5151 San Felipe, Suite 500 ♦ Houston, TX 77056

Important Information

Index

Functional Parts List	3
Illustration and Parts	4 - 9

Views shown are for parts illustrations only, not servicing procedures.

Rev A: Addition of revision AB models
Rev B: Addition of ARPT36C14AB model

Text Codes:

AR - As Required
NA - Not Available
NS - Not Shown
00000000 - See Note
QTY - Quantity Example (QTY 3) (If Quantity not shown, Quantity = 1)
M - Model Example (M1) (If M Code not shown, then part is used on all Models)

Expanded Model Nomenclature:

Example M1 - Model#1 M2 - Model#2 M3 - Model#3

Goodman Manufacturing Company, L.P. is not responsible for personal injury or property damage resulting from improper service. Review all service information before beginning repairs.

Warranty service must be performed by an authorized technician, using authorized factory parts. If service is required after the warranty expires, Goodman Manufacturing Company, L.P. also recommends contacting an authorized technician and using authorized factory parts.

Goodman Manufacturing Company, L.P. reserves the right to discontinue, or change at any time, specifications or designs without notice or without incurring obligations.

For assistance within the U.S.A. contact:
Consumer Affairs Department
Goodman Manufacturing Company, L.P.
7401 Security Way
Houston, Texas 77040
877-254-4729-Telephone
713-863-2382-Facsimile

For assistance outside the U.S.A. contact:
International Division
Goodman Manufacturing Company, L.P.
7401 Security Way
Houston, Texas 77040
713-861-2500-Telephone
713-863-2382-Facsimile

Functional Parts

Part

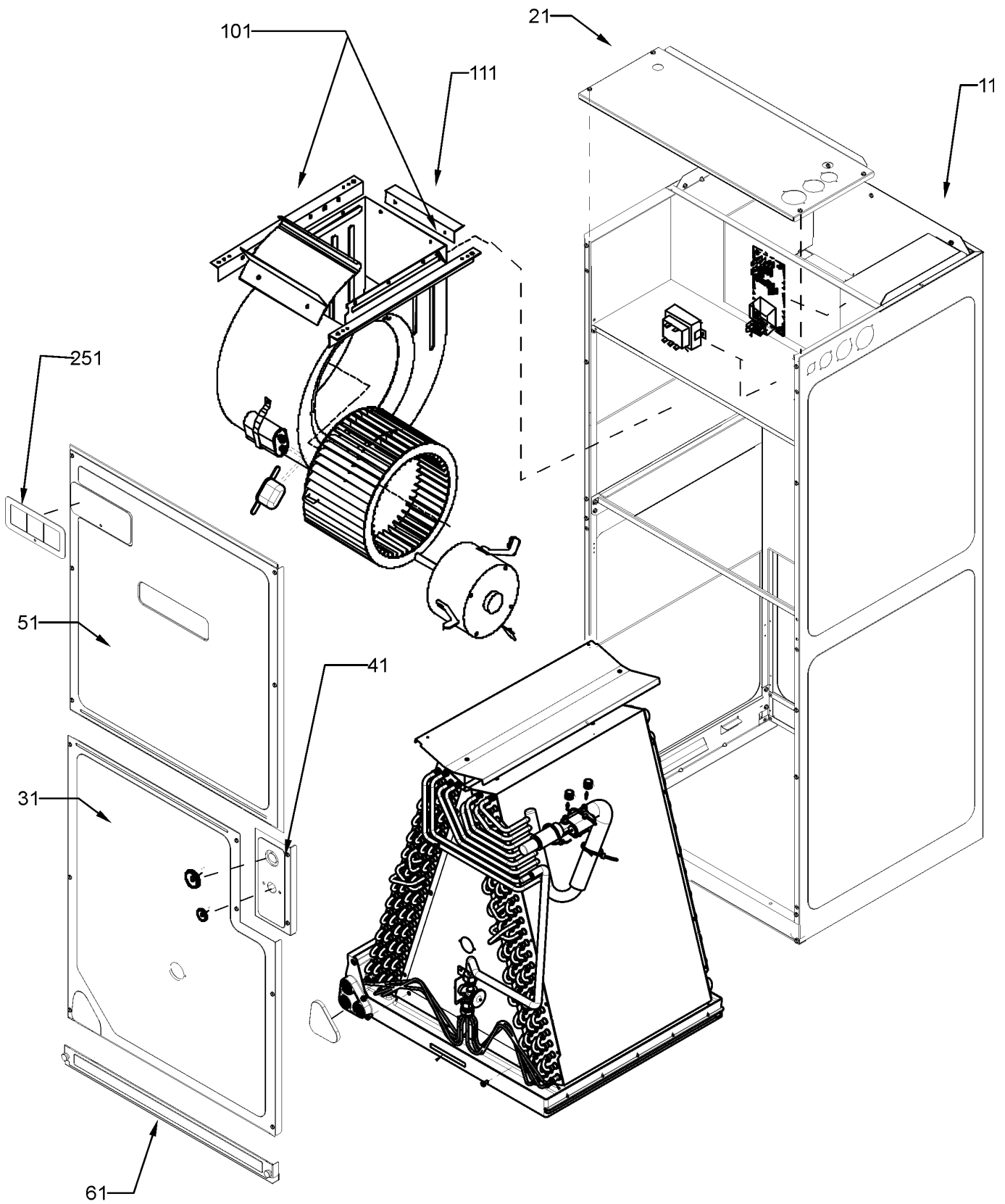
No: Description:

11091204	BLOWER MOTOR 1/2 HP, 3 SP, 8 PL (M11, M12, M13, M14)
11091203	BLOWER MOTOR 1/3 HP, 3 SP, 6 PL (M7, M8, M9, M10)
0131M00005P	BLOWER MOTOR 1/3 HP, 3 SP, 6 PL (M1, M2, M3, M4, M5, M6)
0131M00297	BLOWER MOTOR, 3/4 HP, 3 SP (M15, M16)
B1368058	BLOWER WHEEL 10 X 8 (M7, M8)
0150M00000	BLOWER WHEEL 9 X 6 (M1, M2, M3, M4, M5, M6)
CAP100000370VA	CAPACITOR 10/370V [BLOWER] (M1, M2, M3, M4, M5, M6, M7, M8, M9, M10)
CAP150000370VA	CAPACITOR 15/370V (M11, M12, M13, M14)
CAP250000370RP	CAPACITOR 25/370V (M15, M16)
PCBFM131	ELECTRONIC BLOWER TIME DELAY RELAY
0162D00094	FLOWRATOR, AL (M7, M8)
0162D00091	FLOWRATOR, AL (M1, M2, M3, M4)
0162D00088	FLOWRATOR, AL (M5, M6)
0162D00085	FLOWRATOR, AL (M13, M14, M15, M16)
0162A00062	FLOWRATOR, AL (M9, M10, M11, M12)
B1141643	TRANSFORMER 208/230, 24V
0151R00019	VALVE, TXV R-410A (M1, M2, M3, M4, M5, M6)
0151R00036	VALVE, TXV R-410A (M7, M8, M9, M10)
0151R00035	VALVE, TXV R-410A (M11, M12, M13, M14, M15, M16)
0150M00037	WHEEL, BLOWER 10 X 10 (M9, M10, M11, M12)
D6723311	WHEEL-BLOWER (M13, M14, M15, M16)

Expanded Model Nomenclature

M1 - ARPT18B14AA
M2 - ARPT18B14AB
M3 - ARPT24B14AA
M4 - ARPT24B14AB
M5 - ARPT30B14AA
M6 - ARPT30B14AB
M7 - ARPT36C14AA
M8 - ARPT36C14AB
M9 - ARPT36D14AA
M10 - ARPT36D14AB
M11 - ARPT42D14AA
M12 - ARPT42D14AB
M13 - ARPT48D14AA
M14 - ARPT48D14AB
M15 - ARPT60D14AA
M16 - ARPT60D14AB

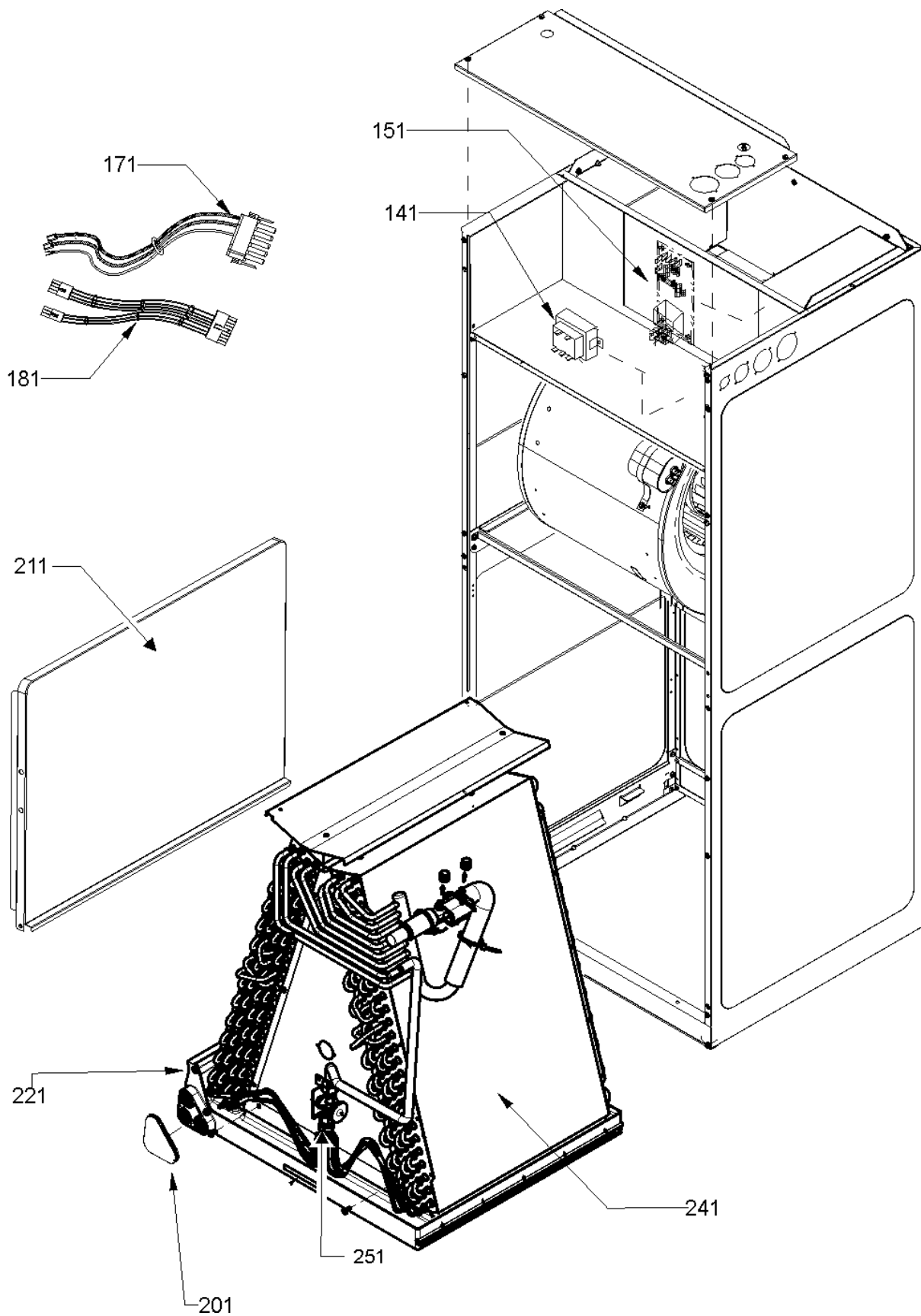
Cabinet Assy



Cabinet Assy

Ref. Part No:	No:	Description:	Ref. Part No:	No:	Description:
<i>Image 1:</i>			Expanded Model Nomenclature		
11	0270A00655PDG	Wrapper Assy, Painted (M1, M2, M3, M4, M5, M6)	M1 -	ARPT18B14AA	
11	0270A00689PDG	Wrapper Assy, Painted (M7, M8)	M2 -	ARPT18B14AB	
11	0270A00690PDG	Wrapper Assy, Painted (M9, M10, M11, M12, M13, M14, M15, M16)	M3 -	ARPT24B14AA	
21	0121A00252PDG	Plate, Upper Tie, Ptd (M1, M2, M3, M4, M5, M6)	M4 -	ARPT24B14AB	
21	0121A00253PDG	Plate, Upper Tie, Ptd (M7, M8)	M5 -	ARPT30B14AA	
21	0121A00254PDG	Plate, Upper Tie, Ptd (M9, M10, M11, M12, M13, M14, M15, M16)	M6 -	ARPT30B14AB	
31	0121A00248PDG	Panel, Lower Access, Ptd (M1, M2, M3, M4, M5, M6)	M7 -	ARPT36C14AA	
31	0121A00249PDG	Panel, Lower Access, Ptd (M7, M8)	M8 -	ARPT36C14AB	
31	0121A00250PDG	Panel, Lower Access, Ptd (M9, M10, M11, M12, M13, M14, M15, M16)	M9 -	ARPT36D14AA	
41	0121A00366PDG	PANEL REFRIGERANT TUBING	M10 -	ARPT36D14AB	
51	0121A00178PDG	Panel, Upper Access, Ptd (M9, M10, M11, M12, M13, M14, M15, M16)	M11 -	ARPT42D14AA	
51	0121A00209PDG	Panel, Upper Access, Ptd (M7, M8)	M12 -	ARPT42D14AB	
51	0121A00210PDG	Panel, Upper Access, Ptd (M1, M2, M3, M4, M5, M6)	M13 -	ARPT48D14AA	
61	0121A00242PDG	Panel, Filter Access, Ptd (M1, M2, M3, M4, M5, M6)	M14 -	ARPT48D14AB	
61	0121A00243PDG	Panel, Filter Access, Ptd (M7, M8)	M15 -	ARPT60D14AA	
61	0121A00244PDG	Panel, Filter Access, Ptd (M9, M10, M11, M12, M13, M14, M15, M16)	M16 -	ARPT60D14AB	
101	0121A00275	Rail, Blower (M13, M14, M15, M16)			
101	0121A00336	Rail, Blower (M1, M2, M3, M4, M5, M6)			
111	0121A00337	Angle, Blower Mounting (M1, M2, M3, M4, M5, M6)			
111	0121A00353	Angle, Blower Mounting (M13, M14, M15, M16)			
251	B1392641	PLASTIC CIRCUIT BREAKER INSERT			
NS	BT1369063	90 DEGREE STUB (M5, M6, M7, M8, M9, M10, M11, M12, M13, M14, M15, M16)			
NS	0164A00002	GROMMET			
NS	B1392630	GROMMET			
NS	0163M00036	SCREW,#10X1/2,B,BZ,SLOT,SR,BLK			

Internal Components



Internal Components

Ref. Part No:	No:	Description:	Ref. Part No:	No:	Description:
<i>Image 1:</i>			Expanded Model Nomenclature		
141	B1141643	TRANSFORMER 208/230, 24V	M1 -	ARPT18B14AA	
151	PCBFM131	ELECTRONIC BLOWER TIME DELAY RELAY	M2 -	ARPT18B14AB	
171	0259A00012P	WIRE ASSY, 9 PIN FEMALE CONN.	M3 -	ARPT24B14AA	
181	0259A00013P	WIRE ASSY, 9 PIN MALE CONN.	M4 -	ARPT24B14AB	
201	0154A00003BL	Gasket, Drain Pan	M5 -	ARPT30B14AA	
211	0121A00304PDG	Drip Shield, Ptd (M1, M2, M3, M4, M5, M6)	M6 -	ARPT30B14AB	
211	0121A00305PDG	Drip Shield, Ptd (M7, M8)	M7 -	ARPT36C14AA	
211	0121A00306PDG	Drip Shield, Ptd (M9, M10, M11, M12, M13, M14, M15, M16)	M8 -	ARPT36C14AB	
221	0161A00026	DRAIN PAN (M1, M2, M3, M4, M5, M6)	M9 -	ARPT36D14AA	
221	0161A00027	DRAIN PAN (M7, M8)	M10 -	ARPT36D14AB	
221	0161A00028	DRAIN PAN (M9, M10, M11, M12, M13, M14, M15, M16)	M11 -	ARPT42D14AA	
241	0270A00672	COIL TUBING ASSY (M1, M3)	M12 -	ARPT42D14AB	
241	0270A00680	COIL TUBING ASSY (M13, M15)	M13 -	ARPT48D14AA	
241	0270A00681	COIL TUBING ASSY (M5)	M14 -	ARPT48D14AB	
241	0270A00682	COIL TUBING ASSY (M9)	M15 -	ARPT60D14AA	
241	0270A00686	COIL TUBING ASSY (M11)	M16 -	ARPT60D14AB	
241	0270A00691	COIL TUBING ASSY (M7)			
241	0270A00697	COIL TUBING ASSY (M2, M4)			
241	0270A00699	COIL TUBING ASSY (M6)			
241	0270A00702	COIL TUBING ASSY (M8)			
241	0270A00704	COIL TUBING ASSY (M10)			
241	0270A00705	COIL TUBING ASSY (M12)			
241	0270A00708	COIL TUBING ASSY (M14, M16)			
251	0151R00019	VALVE, TXV R-410A (M1, M2, M3, M4, M5, M6)			
251	0151R00035	VALVE, TXV R-410A (M11, M12, M13, M14, M15, M16)			
251	0151R00036	VALVE, TXV R-410A (M7, M8, M9, M10)			
NS	0163M00175	CAP WITH O-RING			
NS	0162A00062	FLOWRATOR, AL (M9, M10, M11, M12)			
NS	0162D00085	FLOWRATOR, AL (M13, M14, M15, M16)			
NS	0162D00088	FLOWRATOR, AL (M5, M6)			
NS	0162D00091	FLOWRATOR, AL (M1, M2, M3, M4)			
NS	0162D00094	FLOWRATOR, AL (M7, M8)			
NS	0161A00024	Plastic Condensate Collector			
NS	0161A00025	Plastic Condensate Collector			
NS	BT1787000	VALVE CORE			

Blower Components

Image 1

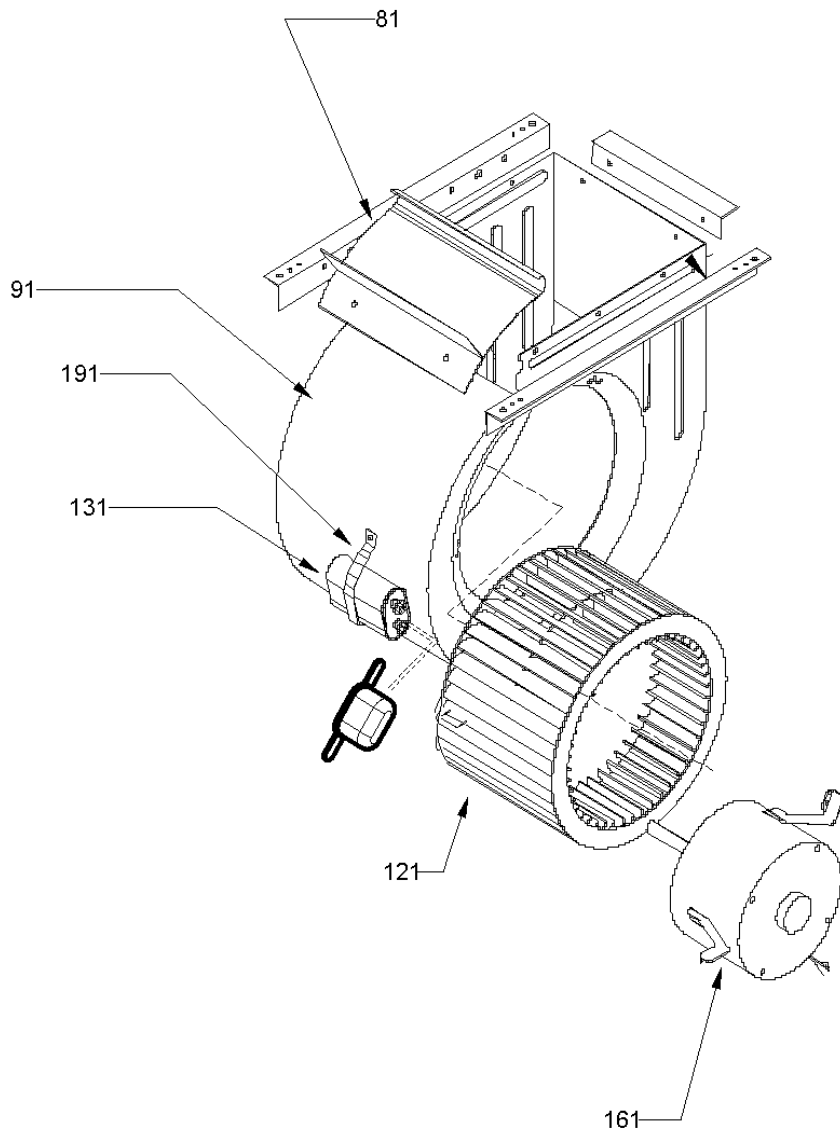
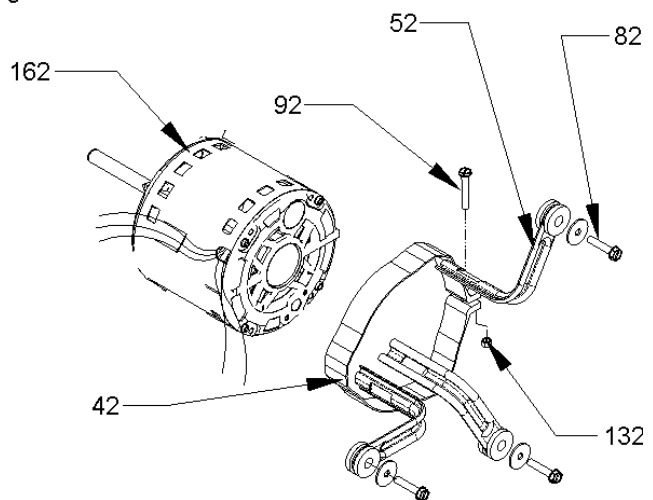


Image 2



Blower Components

Ref. Part No:	No:	Description:	Ref. Part No:	No:	Description:
<i>Image 1:</i>			Expanded Model Nomenclature		
81	764741F	BLOWER BLOCK-OFF 10 X 10 (M9, M10, M11, M12)	M1 - ARPT18B14AA		
81	1864700	BLOWER CUT-OFF 10 X 10 (M13, M14, M15, M16)	M2 - ARPT18B14AB		
81	764733F	BLOWER CUT-OFF 9 X 6 (M1, M2, M3, M4, M5, M6)	M3 - ARPT24B14AA		
81	764740	BLWR BLK-OFF, 10X8 (M7, M8)	M4 - ARPT24B14AB		
91	0271A00016	ASSY, BLOWER SHELL (M9, M10, M11, M12)	M5 - ARPT30B14AA		
91	0271A00013	ASSY, BLOWER SHELL (11 X 10) (M13, M14, M15, M16)	M6 - ARPT30B14AB		
91	0271A00029	BLOWER HOUSING ASSY 10 X 8 (M7, M8)	M7 - ARPT36C14AA		
91	1439389	BLOWER SHELL ASM F/ 9X6 WHL (M1, M2, M3, M4, M5, M6)	M8 - ARPT36C14AB		
121	B1368058	BLOWER WHEEL 10 X 8 (M7, M8)	M9 - ARPT36D14AA		
121	0150M00000	BLOWER WHEEL 9 X 6 (M1, M2, M3, M4, M5, M6)	M10 - ARPT36D14AB		
121	0150M00037	WHEEL, BLOWER 10 X 10 (M9, M10, M11, M12)	M11 - ARPT42D14AA		
121	D6723311	WHEEL-BLOWER (M13, M14, M15, M16)	M12 - ARPT42D14AB		
131	CAP100000370VA	CAPACITOR 10/370V [BLOWER] (M1, M2, M3, M4, M5, M6, M7, M8, M9, M10)	M13 - ARPT48D14AA		
131	CAP150000370VA	CAPACITOR 15/370V (M11, M12, M13, M14)	M14 - ARPT48D14AB		
131	CAP250000370RP	CAPACITOR 25/370V (M15, M16)	M15 - ARPT60D14AA		
161	0131M00005P	BLOWER MOTOR 1/3 HP, 3 SP, 6 PL (M1, M2, M3, M4, M5, M6)	M16 - ARPT60D14AB		
161	11091203	BLOWER MOTOR 1/3 HP, 3 SP, 6 PL (M7, M8, M9, M10)			
191	1284835	CAPACITOR STRAP			
NS	B1393309	MACHINE SCREW, 1/4-20 TPI X 3/4" LG (M1, M2, M3, M4, M5, M6)			
NS	M0250558	TC SCREW (M7, M8, M9, M10)			
<i>Image 2:</i>					
42	0121M00039	MOTOR MOUNT BAND (HEAVY DUTY) (M11, M12, M13, M14, M15, M16)			
52	B1376863	MOTOR MOUNT ARM (HEAVY DUTY) (M11, M12, M13, M14, M15, M16)			
82	B1393527	SCREW, HWH, 14X1-1/2, A, BZ, SLOT (M13, M14, M15, M16)			
82	M0250565	TC SCREW 1.25" (M11, M12)			
92	B1393323	MACHINE SCREW HWH 1/4-20 X 1-1/2 BZ (M11, M12, M13, M14, M15, M16)			
132	B1393800	LOCKNUT, NYLON, INSERT 1/4, 20 (M11, M12, M13, M14, M15, M16)			
162	11091204	BLOWER MOTOR 1/2 HP, 3 SP, 8 PL (M11, M12, M13, M14)			
162	0131M00297	BLOWER MOTOR, 3/4 HP, 3 SP (M15, M16)			