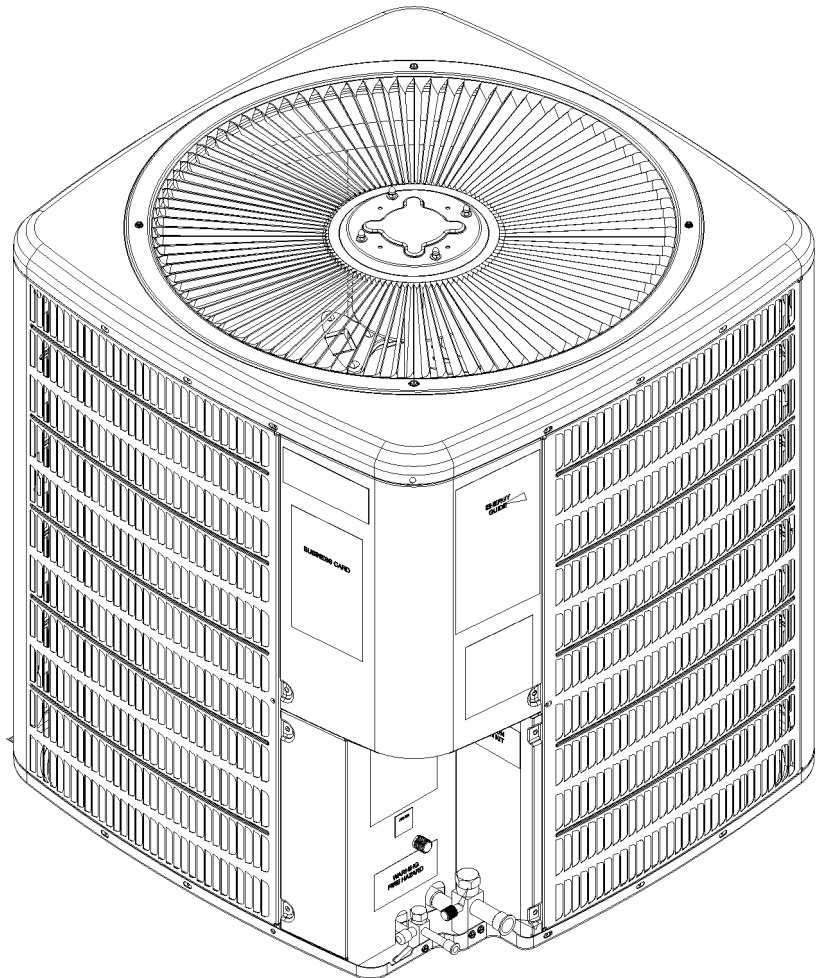


REPAIR PARTS

VSZ14 Remote Heat Pump

VSZ140181AA
VSZ140181AC
VSZ140181AD
VSZ140241AA
VSZ140241AB
VSZ140241AC
VSZ140241AD
VSZ140301AA
VSZ140301AB
VSZ140301AC
VSZ140301AD
VSZ140361AA
VSZ140361AB
VSZ140361AC
VSZ140421AA
VSZ140421AB
VSZ140421AC
VSZ140481AA
VSZ140481AB
VSZ140491AA
VSZ140491AB
VSZ140491AC
VSZ140601AA
VSZ140601AB



This manual is to be used by qualified technicians only.

This manual replaces RP-4001H.

© 2015 - 2016 Goodman Manufacturing Company, L.P. ♦ 5151 San Felipe St., Suite 500 ♦ Houston, TX 77056

Important Information

Index

Functional Parts List	3
Illustration and Parts	4 - 9

Views shown are for parts illustrations only, not servicing procedures

Text Codes:

AR - As Required

NA - Not Available

NS - Not Shown

00000000 - See Note

QTY - Quantity Example (QTY 3) (If Quantity not shown, Quantity = 1)

M - Model Example (M1) (If M Code not shown, then part is used on all Models)

Expanded Model Nomenclature:

Example M1 - Model#1 M2 - Model#2 M3 - Model#3

Goodman Manufacturing Company, L.P. is not responsible for personal injury or property damage resulting from improper service. Review all service information before beginning repairs.

Warranty service must be performed by an authorized technician, using authorized factory parts. If service is required after the warranty expires, Goodman Manufacturing Company, L.P. also recommends contacting an authorized technician and using authorized factory parts.

Goodman Manufacturing Company, L.P. reserves the right to discontinue, or change at any time, specifications or designs without notice or without incurring obligations.

For assistance within the U.S.A. contact:
Homeowner Support
Goodman Manufacturing Company, L.P.
19001 Kermier Road
Waller, Texas 77484
877-254-4729-Telephone
713-863-2382-Facsimile

For assistance outside the U.S.A. contact:
International Division
Goodman Manufacturing Company, L.P.
19001 Kermier Road
Waller, Texas 77484
713-861-2500-Telephone
713-863-2382-Facsimile

Functional Parts

Part

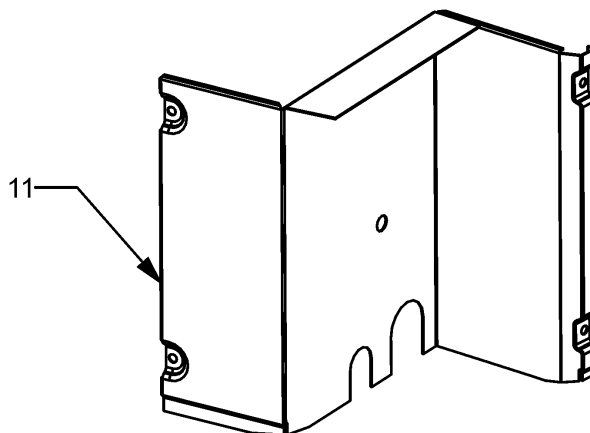
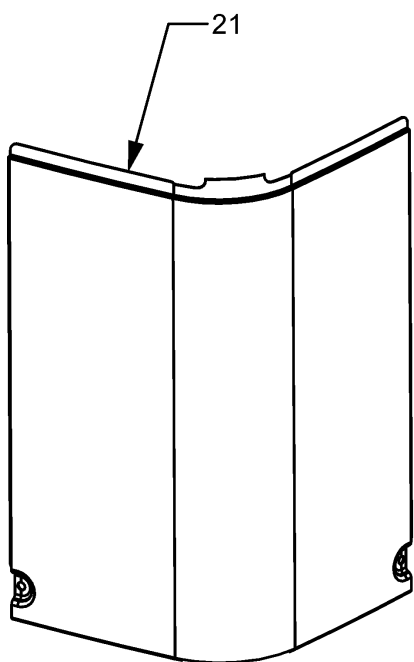
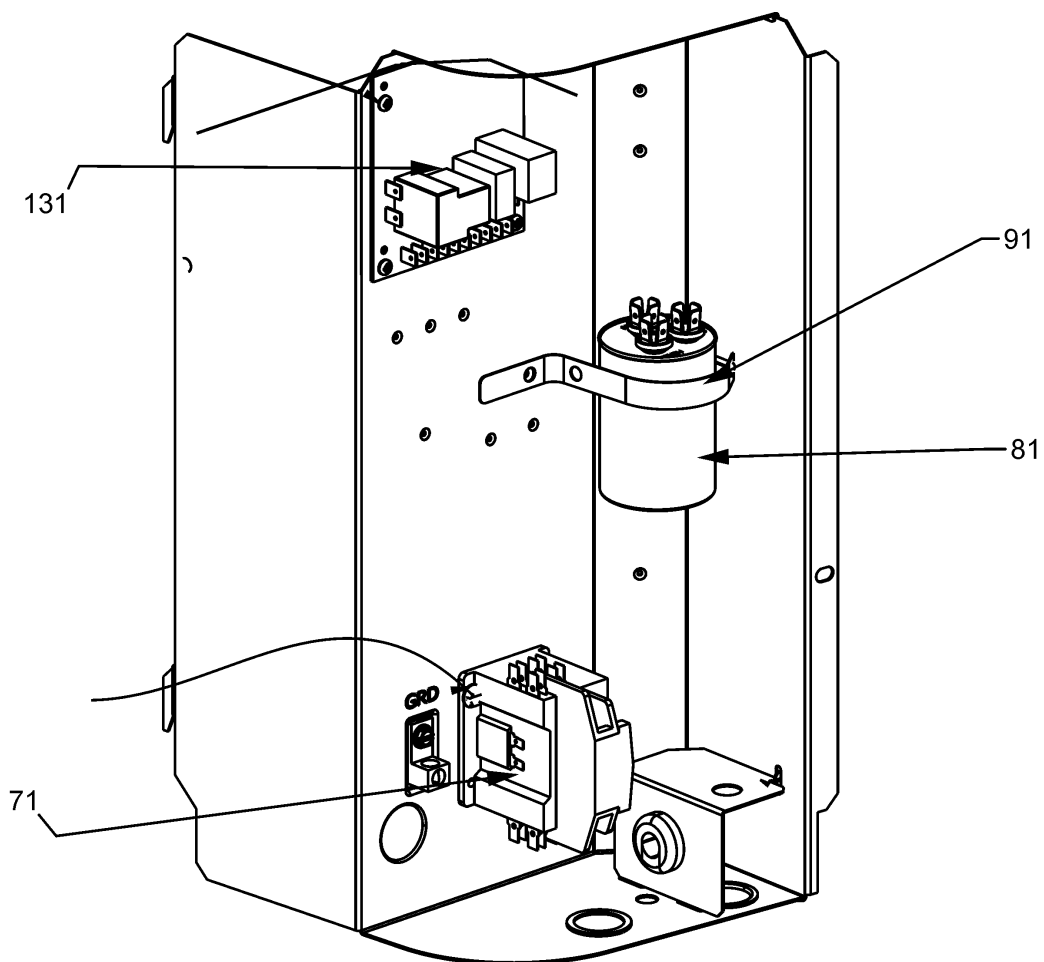
No: Description:

0151R00079	BASE VALVE 3/4" (M1, M2, M3, M4, M5, M6, M7, M8, M9, M10, M11, M12, M13, M14)
0151R00078	BASE VALVE 3/8"
0151R00080	BASE VALVE 7/8" (M15, M16, M17, M18, M19, M20, M21, M22, M23, M24)
CAP050300440CS	CAP, 5/30MFD/440V/DUAL RD (M1, M2, M3)
CAP050350440CS	CAPACITOR 5/35/440V (M4, M5, M6, M7, M8, M9, M10, M11)
CAP050450440CT	CAPACITOR 5/45/440V/DUAL RD (M12, M13, M14, M15, M16, M17, M18, M19, M20, M21, M22)
CAP050700440CT	CAPACITOR 5/70/440V/DUAL RD (M23, M24)
ZP14K6EPFV130	COMP, 14,000,208/230/60/1 (M1, M2, M3)
ZP20K6EPFV130	COMP, 20,000,208/230/60/1 (M4, M5, M6, M7)
ZP34K6EPFV130	COMP, 46500, 208/230/60/1 (M15, M16, M17)
ZP40K6EPFV130	COMP, 53700, 208/230/60/1 (M18, M19)
ZP25K6EPFV130	COMP, 34200,208/230/60/1 (M8, M9, M10, M11)
ZP31K6EPFV130	COMP, 42500,208/230/60/1 (M12, M13, M14)
ZP39K5EPFV130	COMPRESSOR 39000, 208/230/60/1 (M20, M21, M22)
ZP51K5EPFV130	COMPRESSOR 51000, 208/230/60/1 (M23, M24)
0131M00061	COND MOTOR 1/4 HP, 1 SP, 8 PL (M15, M18, M19, M20, M23, M24)
0131M00060	COND MOTOR 1/6 HP, 1 SP, 8 PL (M1, M2, M4, M5, M6, M8, M9, M10, M12, M13)
0131M00753	COND MOTOR, 1/6HP, 1SP, 8PL, AL (M3, M7, M11, M14)
0131M00754	COND MOTOR, PSC, 1/6HP, 8PL (M16, M17, M21, M22)
CONT1P025024V	CONTACTOR 25 AMP, 1P, 24V (M1, M2, M3, M4, M5, M6, M7, M8, M9, M10, M11, M12, M13, M14, M15, M16, M17)
CONT1P030024V	CONTACTOR 30 AMP, 1P, 24V (M18, M19, M20, M21, M22, M23, M24)
0130M00250	CONTROL, DEFROST
0130M00089	CUT-OUT SWITCH, HIGH PRESSURE
0130M00088	CUT-OUT SWITCH, LOW PRESSURE
PCBDM160	DEFROST CONTROL BOARD (M5, M9)
PCBDM133	DEFROST CONTROL BOARD (M1, M2, M3, M4, M6, M7, M8, M10, M11, M12, M13, M14, M15, M16, M17, M18, M19, M20, M21, M22, M23, M24)
0130M00106	DISC THERMOSTAT CRNKCS HTR SW
10625738	FAN BLADE 26" ALUM CCW (M15, M16, M17, M20, M21, M22, M23, M24)
B1086764	FAN BLADE TYPE 2 (M1, M2, M3, M4, M5, M6, M7, M8, M9, M10, M11, M12, M13, M14)
B1086765	FAN BLADE TYPE 3 (M18, M19)
0163R00006	HEATER, CRANKCASE 230V, 40W (M1, M2, M3, M4, M5, M6, M7, M8, M9, M10, M11, M12, M13, M14)
0163R00007	HEATER, CRANKCASE 230V, 40W (M15, M16, M17, M18, M19, M20, M21, M22, M23, M24)
0151R00069	REVERSING VALVE (M8, M9, M10, M11, M12, M13, M14)
0151R00071	REVERSING VALVE (M15, M16, M17, M18, M19, M20, M21, M22, M23, M24)
0151R00068	REVERSING VALVE (M1, M2, M3, M4, M5, M6, M7)

Expanded Model Nomenclature

M1 - VSZ140181AA
M2 - VSZ140181AC
M3 - VSZ140181AD
M4 - VSZ140241AA
M5 - VSZ140241AB
M6 - VSZ140241AC
M7 - VSZ140241AD
M8 - VSZ140301AA
M9 - VSZ140301AB
M10 - VSZ140301AC
M11 - VSZ140301AD
M12 - VSZ140361AA
M13 - VSZ140361AB
M14 - VSZ140361AC
M15 - VSZ140421AA
M16 - VSZ140421AB
M17 - VSZ140421AC
M18 - VSZ140481AA
M19 - VSZ140481AB
M20 - VSZ140491AA
M21 - VSZ140491AB
M22 - VSZ140491AC
M23 - VSZ140601AA
M24 - VSZ140601AB

Control Cover / Control Box



Control Cover / Control Box

Ref. Part No:	Ref. Part No:	Description:	Description:
Image 1:			
11	0121R00154PBB	LOWER ACCESS PANEL (M8, M9, M10, M11, M12, M13, M14, M18, M19)	
11	0121R00328PBB	LOWER ACCESS PANEL (M15, M16, M17)	
11	0121R00625PBB	LOWER ACCESS PANEL (M1, M2, M3, M4, M5, M6, M7, M20, M21, M22, M23, M24)	
21	0121R00053PBB	CONTROL COVER	
71	CONT1P025024V	CONTACTOR 25 AMP, 1P, 24V (M1, M2, M3, M4, M5, M6, M7, M8, M9, M10, M11, M12, M13, M14, M15, M16, M17)	
71	CONT1P030024V	CONTACTOR 30 AMP, 1P, 24V (M18, M19, M20, M21, M22, M23, M24)	
81	CAP050300440CS	CAP,5/30MFD/440V/DUAL RD (M1, M2, M3)	
81	CAP050350440CS	CAPACITOR 5/35/440V (M4, M5, M6, M7, M8, M9, M10, M11)	
81	CAP050450440CT	CAPACITOR 5/45/440V/DUAL RD (M12, M13, M14, M15, M16, M17, M18, M19, M20, M21, M22)	
81	CAP050700440CT	CAPACITOR 5/70/440V/DUAL RD (M23, M24)	
91	4400065	CAPACITOR STRAP	
131	PCBDM133	DEFROST CONTROL BOARD (M1, M2, M3, M4, M6, M7, M8, M10, M11, M12, M13, M14, M15, M16, M17, M18, M19, M20, M21, M22, M23, M24)	
131	PCBDM160	DEFROST CONTROL BOARD (M5, M9)	

Expanded Model Nomenclature

M1 - VSZ140181AA
M2 - VSZ140181AC
M3 - VSZ140181AD
M4 - VSZ140241AA
M5 - VSZ140241AB
M6 - VSZ140241AC
M7 - VSZ140241AD
M8 - VSZ140301AA
M9 - VSZ140301AB
M10 - VSZ140301AC
M11 - VSZ140301AD
M12 - VSZ140361AA
M13 - VSZ140361AB
M14 - VSZ140361AC
M15 - VSZ140421AA
M16 - VSZ140421AB
M17 - VSZ140421AC
M18 - VSZ140481AA
M19 - VSZ140481AB
M20 - VSZ140491AA
M21 - VSZ140491AB
M22 - VSZ140491AC
M23 - VSZ140601AA
M24 - VSZ140601AB

Compressor / Tubing Assembly/Condenser

Image 1

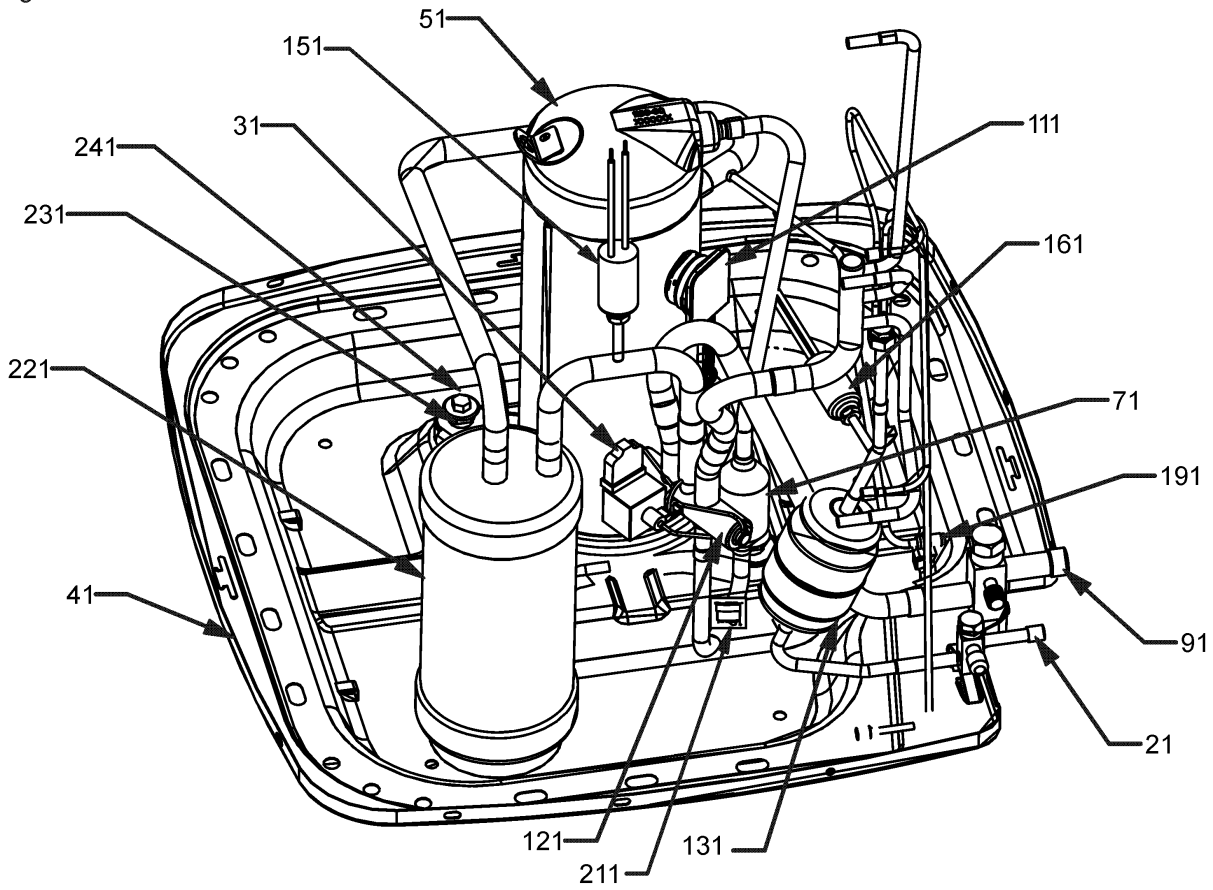
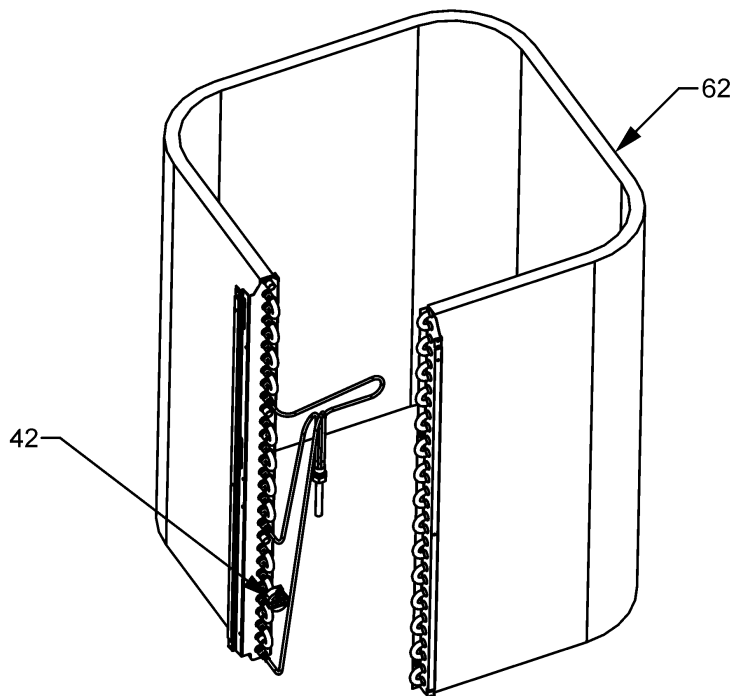


Image 2



Compressor / Tubing Assembly/Condenser

Ref. Part No: No:	Description:	Ref. Part No: No:	Description:
Image 1:		Image 2:	
21	0151R00078 BASE VALVE 3/8"	NS B1789872	FLOW CHECK PISTON KIT (M12, M13, M14)
31	0130M00083 SOLENOID HARNESS W/1/4" TERM	NS B1789851	FLOW CHECK PISTON KIT .051 (M2, M3)
41	0121R00006 BASE PAN, 29" (M1, M2, M3, M4, M5, M6, M7, M8, M9, M10, M11, M12, M13, M14, M18, M19)	NS B1789857	FLOW CHECK PISTON KIT .057 (M4, M6, M7)
41	0121R00007 BASE PAN, 35.5" (M15, M16, M17, M20, M21, M22, M23, M24)	NS B1789865	FLOW CHECK PISTON KIT .065 (M8, M10, M11)
51	ZP14K6EPFV130 COMP, 14,000,208/230/60/1 (M1, M2, M3)	NS B1789878	FLOW CHECK PISTON KIT .078 (M16, M17)
51	ZP20K6EPFV130 COMP, 20,000,208/230/60/1 (M4, M5, M6, M7)	NS B1789880	FLOW CHECK PISTON KIT .080 (M18, M19, M21, M22)
51	ZP34K6EPFV130 COMP, 46500, 208/230/60/1 (M15, M16, M17)	NS B1789888	FLOW CHECK PISTON KIT .088 (M23, M24)
51	ZP40K6EPFV130 COMP, 53700, 208/230/60/1 (M18, M19)	Expanded Model Nomenclature	
51	ZP25K6EPFV130 COMP,34200,208/230/60/1 (M8, M9, M10, M11)	M1 - VSZ140181AA	
51	ZP31K6EPFV130 COMP,42500,208/230/60/1 (M12, M13, M14)	M2 - VSZ140181AC	
51	ZP39K5EPFV130 COMPRESSOR 39000, 208/230/60/1 (M20, M21, M22)	M3 - VSZ140181AD	
51	ZP51K5EPFV130 COMPRESSOR 51000, 208/230/60/1 (M23, M24)	M4 - VSZ140241AA	
71	0162R00007 MUFFLER 1/2 X 1/2	M5 - VSZ140241AB	
91	0151R00079 BASE VALVE 3/4" (M1, M2, M3, M4, M5, M6, M7, M8, M9, M10, M11, M12, M13, M14)	M6 - VSZ140241AC	
91	0151R00080 BASE VALVE 7/8" (M15, M16, M17, M18, M19, M20, M21, M22, M23, M24)	M7 - VSZ140241AD	
111	0159R00001P COMPRESSOR SCROLL HARNESS (M1, M2, M3, M4, M5, M6, M7, M8, M9, M10, M11, M12, M13, M14, M18, M19)	M8 - VSZ140301AA	
111	0159R00002P COMPRESSOR SCROLL HARNESS (M15, M16, M17, M20, M21, M22, M23, M24)	M9 - VSZ140301AB	
121	0151R00068 REVERSING VALVE (M1, M2, M3, M4, M5, M6, M7)	M10 - VSZ140301AC	
121	0151R00069 REVERSING VALVE (M8, M9, M10, M11, M12, M13, M14)	M11 - VSZ140301AD	
121	0151R00071 REVERSING VALVE (M15, M16, M17, M18, M19, M20, M21, M22, M23, M24)	M12 - VSZ140361AA	
131	20485201 BI-FLOW FILTER DRIER	M13 - VSZ140361AB	
151	0130M00088 CUT-OUT SWITCH, LOW PRESSURE	M14 - VSZ140361AC	
161	0130M00089 CUT-OUT SWITCH, HIGH PRESSURE	M15 - VSZ140421AA	
211	0130M00106 DISC THERMOSTAT CRNKCS HTR SW	M16 - VSZ140421AB	
221	0151L00008 ACCUMULATOR (M12, M13, M14)	M17 - VSZ140421AC	
221	0151R00004P ACCUMULATOR .750 (M1, M2, M3, M4, M5, M6, M7, M8, M9, M10, M11)	M18 - VSZ140481AA	
221	B1226207 ACCUMULATOR .875 (M15, M16, M17, M18, M19, M20, M21, M22, M23, M24)	M19 - VSZ140481AB	
231	B1339533 COMPRESSOR GROMMET (QTY 4)	M20 - VSZ140491AA	
241	M0221641 TF SHOULDER SCREW (QTY 4)	M21 - VSZ140491AB	
NS	0163R00006 HEATER, CRANKCASE 230V, 40W (M1, M2, M3, M4, M5, M6, M7, M8, M9, M10, M11, M12, M13, M14)	M22 - VSZ140491AC	
NS	0163R00007 HEATER, CRANKCASE 230V, 40W (M15, M16, M17, M18, M19, M20, M21, M22, M23, M24)	M23 - VSZ140601AA	
NS	0130M00083 REVERSING VALVE HARNESS	M24 - VSZ140601AB	
NS	B1225022 SOLENOID COIL		
NS	B1787000 VALVE CORE		
Image 2:			
42	0130M00250 CONTROL, DEFROST		
62	0201R00515 COIL TUBING ASSY (M15, M16, M17)		
62	0201R00567 COIL TUBING ASSY (M20, M21, M22, M23, M24)		
62	0201R00581 COIL TUBING ASSY (M18, M19)		
62	0201R00668 COIL TUBING ASSY (M1, M2, M3)		
62	0201R00669 COIL TUBING ASSY (M4, M5, M6, M7)		
62	0201R00670 COIL TUBING ASSY (M8, M9, M10, M11)		
62	0201R00671 COIL TUBING ASSY (M12, M13, M14)		

Cabinet Top / Side Panels

Image 1

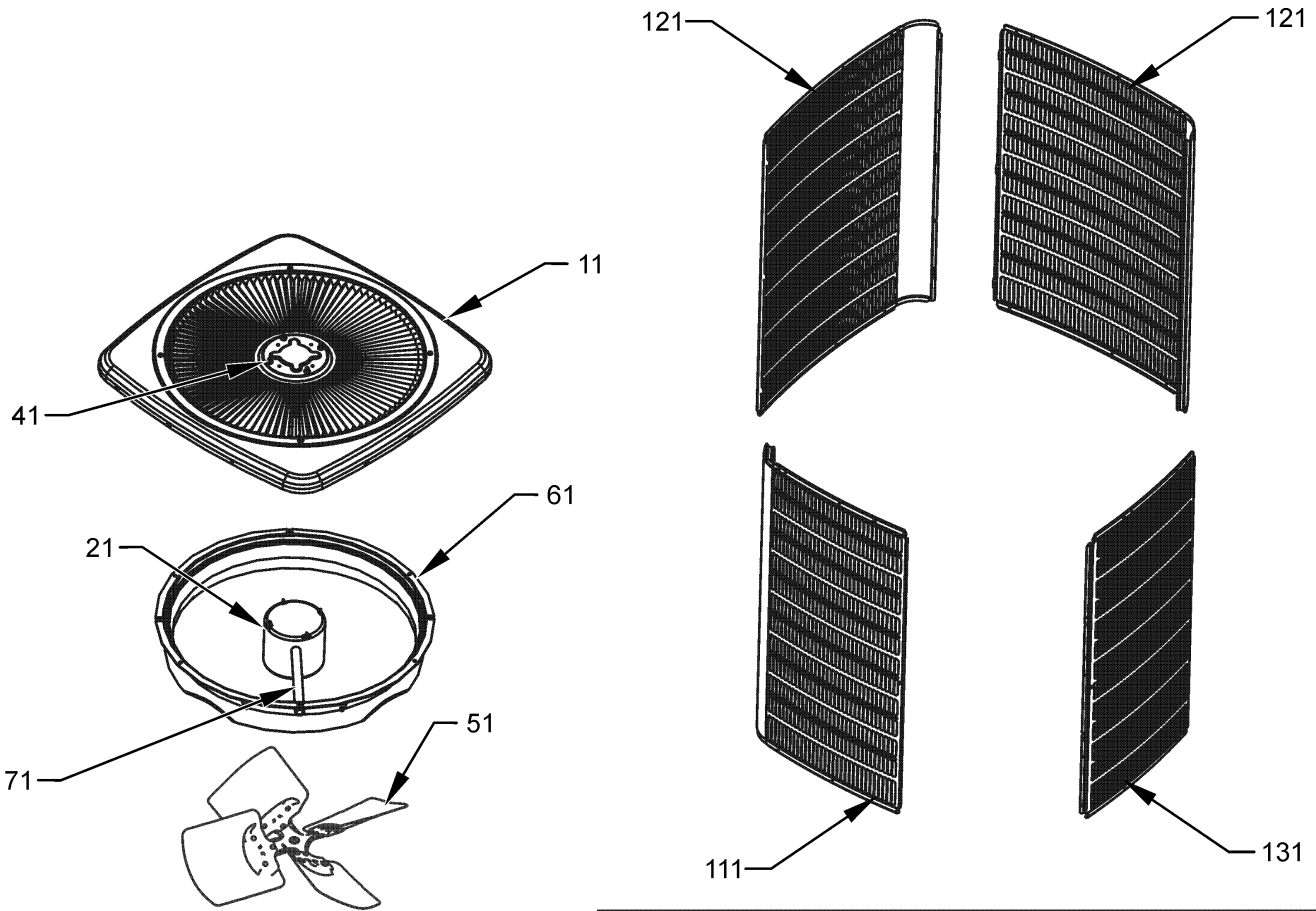
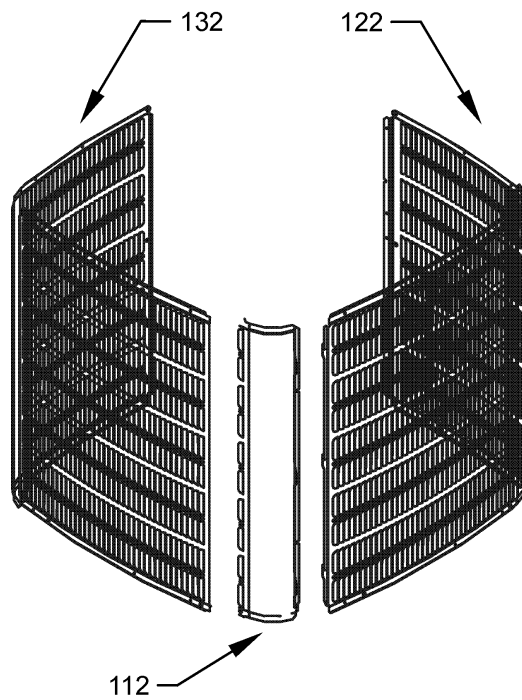


Image 2



Cabinet Top / Side Panels

**Ref. Part
No: No:**

Description:

**Ref. Part
No: No:**

Description:

Image 1:

11	0121R00010PBB	TOP PANEL 29" (M1, M2, M3, M4, M5, M6, M7, M8, M9, M10, M11, M12, M13, M14, M18, M19)
11	0121R00269PBB	TOP PANEL 35" (M15, M16, M17, M20, M21, M22, M23, M24)
21	0131M00061	COND MOTOR 1/4 HP, 1 SP, 8 PL (M15, M18, M19, M20, M23, M24)
21	0131M00060	COND MOTOR 1/6 HP, 1 SP, 8 PL (M1, M2, M4, M5, M6, M8, M9, M10, M12, M13)
21	0131M00753	COND MOTOR, 1/6HP, 1SP, 8PL, AL (M3, M7, M11, M14)
21	0131M00754	COND MOTOR, PSC, 1/6HP, 8PL (M16, M17, M21, M22)
41	0163M00006P	ACORN NUT 5/16 HEX BLACK (QTY 4)
51	10625738	FAN BLADE 26" ALUM CCW (M15, M16, M17, M20, M21, M22, M23, M24)
51	B1086764	FAN BLADE TYPE 2 (M1, M2, M3, M4, M5, M6, M7, M8, M9, M10, M11, M12, M13, M14)
51	B1086765	FAN BLADE TYPE 3 (M18, M19)
61	0161R00048	MOLDED RING-VENTURI 22 (M1, M2, M3, M4, M5, M6, M7, M8, M9, M10, M11, M12, M13, M14, M18, M19)
61	0161R00049	MOLDED RING-VENTURI 26" (M15, M16, M17, M20, M21, M22, M23, M24)
71	0161R00002P	CONDUIT (M1, M2, M3, M4, M5, M6, M7, M8, M9, M10, M11, M12, M13, M14, M18, M19)
71	0161R00004P	CONDUIT (M15, M16, M17, M20, M21, M22, M23, M24)
111	0121R00592PBBB	PANEL 1, BENT LOUVER 35_34.64 (M20, M21, M22, M23, M24)
111	0121R00593PBBB	PANEL 1, BENT LOUVER 35_39.84 (M15, M16, M17)
121	0121R00594PBBB	PANEL 2, BENT LOUVER 35_34.64 (M20, M21, M22, M23, M24)
121	0121R00595PBBB	PANEL 2, BENT LOUVER 35_39.84 (M15, M16, M17)
131	0121R00596PBB	PANEL 3, LOUVER 35_34.64 PNT (M20, M21, M22, M23, M24)
131	0121R00597PBB	PANEL 3, LOUVER 35_39.84 PNT (M15, M16, M17)

Image 2:

112	0121R00583PBB	LOUVER POST, PBB 33.14 (M1, M2, M3, M4, M5, M6, M7)
112	0121R00355PBB	LOUVER POST, PBB 34.88 (M8, M9, M10, M11, M12, M13, M14, M18, M19)
122	0121R00586PBBRS	LOUVER PANEL, 29" CHASSIS (M1, M2, M3, M4, M5, M6, M7)
122	0121R00587PBBRS	LOUVER PANEL, 29" CHASSIS (M8, M9, M10, M11, M12, M13, M14, M18, M19)
132	0121R00586PBBLS	LOUVER PANEL, 29" CHASSIS (M1, M2, M3, M4, M5, M6, M7)
132	0121R00587PBBLS	LOUVER PANEL, 29" CHASSIS (M8, M9, M10, M11, M12, M13, M14, M18, M19)

Expanded Model Nomenclature

M1 - VSZ140181AA
M2 - VSZ140181AC
M3 - VSZ140181AD
M4 - VSZ140241AA
M5 - VSZ140241AB
M6 - VSZ140241AC
M7 - VSZ140241AD
M8 - VSZ140301AA
M9 - VSZ140301AB
M10 - VSZ140301AC
M11 - VSZ140301AD
M12 - VSZ140361AA
M13 - VSZ140361AB
M14 - VSZ140361AC
M15 - VSZ140421AA
M16 - VSZ140421AB
M17 - VSZ140421AC
M18 - VSZ140481AA
M19 - VSZ140481AB
M20 - VSZ140491AA
M21 - VSZ140491AB
M22 - VSZ140491AC
M23 - VSZ140601AA
M24 - VSZ140601AB