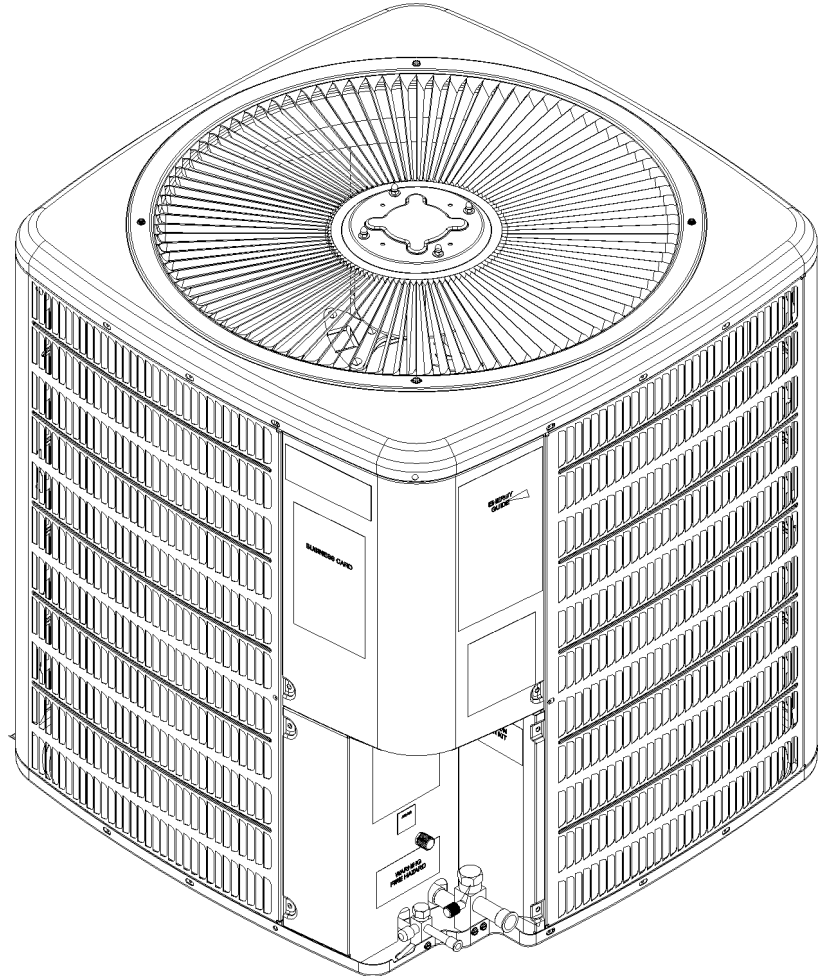


REPAIR PARTS

VSZ13 Remote Heat Pump

VSZ130181AE
VSZ130181AF
VSZ130241BD
VSZ130241CA
VSZ130241CB
VSZ130301AF
VSZ130301AG
VSZ130361BD
VSZ130361BE
VSZ130421AF
VSZ130421AG
VSZ130481AE
VSZ130481AF



This manual is to be used by qualified technicians only.

This manual replaces RP-769C.

© 2014-2015 Goodman Manufacturing Company, L.P. ♦ 5151 San Felipe St., Suite 500 ♦ Houston, TX 77056

Important Information

Index

Functional Parts List	3
Illustration and Parts	4 - 9

Views shown are for parts illustrations only, not servicing procedures

Text Codes:

AR - As Required

NA - Not Available

NS - Not Shown

00000000 - See Note

QTY - Quantity Example (QTY 3) (If Quantity not shown, Quantity = 1)

M - Model Example (M1) (If M Code not shown, then part is used on all Models)

Expanded Model Nomenclature:

Example M1 - Model#1 M2 - Model#2 M3 - Model#3

Goodman Manufacturing Company, L.P. is not responsible for personal injury or property damage resulting from improper service. Review all service information before beginning repairs.

Warranty service must be performed by an authorized technician, using authorized factory parts. If service is required after the warranty expires, Goodman Manufacturing Company, L.P. also recommends contacting an authorized technician and using authorized factory parts.

Goodman Manufacturing Company, L.P. reserves the right to discontinue, or change at any time, specifications or designs without notice or without incurring obligations.

For assistance within the U.S.A. contact:
Consumer Affairs Department
Goodman Manufacturing Company, L.P.
7401 Security Way
Houston, Texas 77040
877-254-4729-Telephone
713-863-2382-Facsimile

For assistance outside the U.S.A. contact:
International Division
Goodman Manufacturing Company, L.P.
7401 Security Way
Houston, Texas 77040
713-861-2500-Telephone
713-863-2382-Facsimile

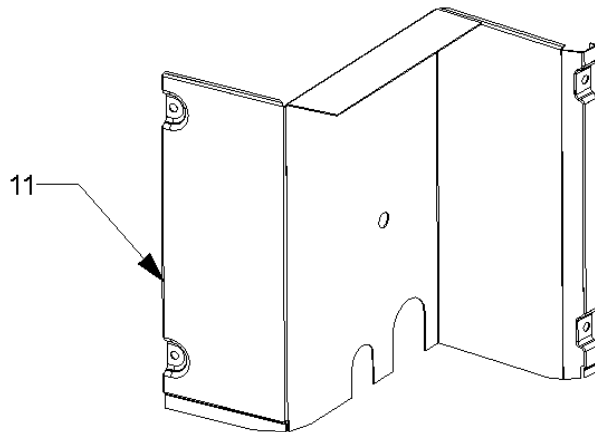
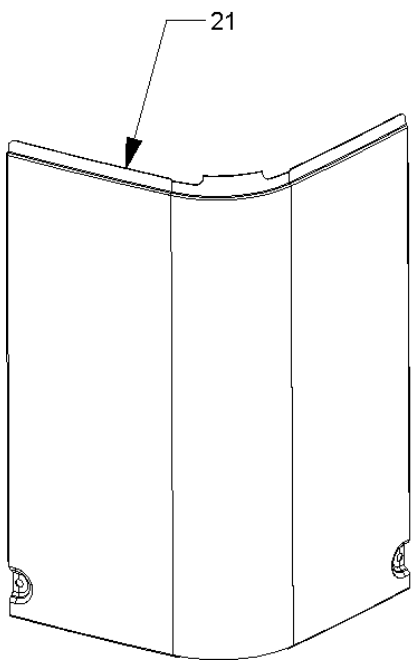
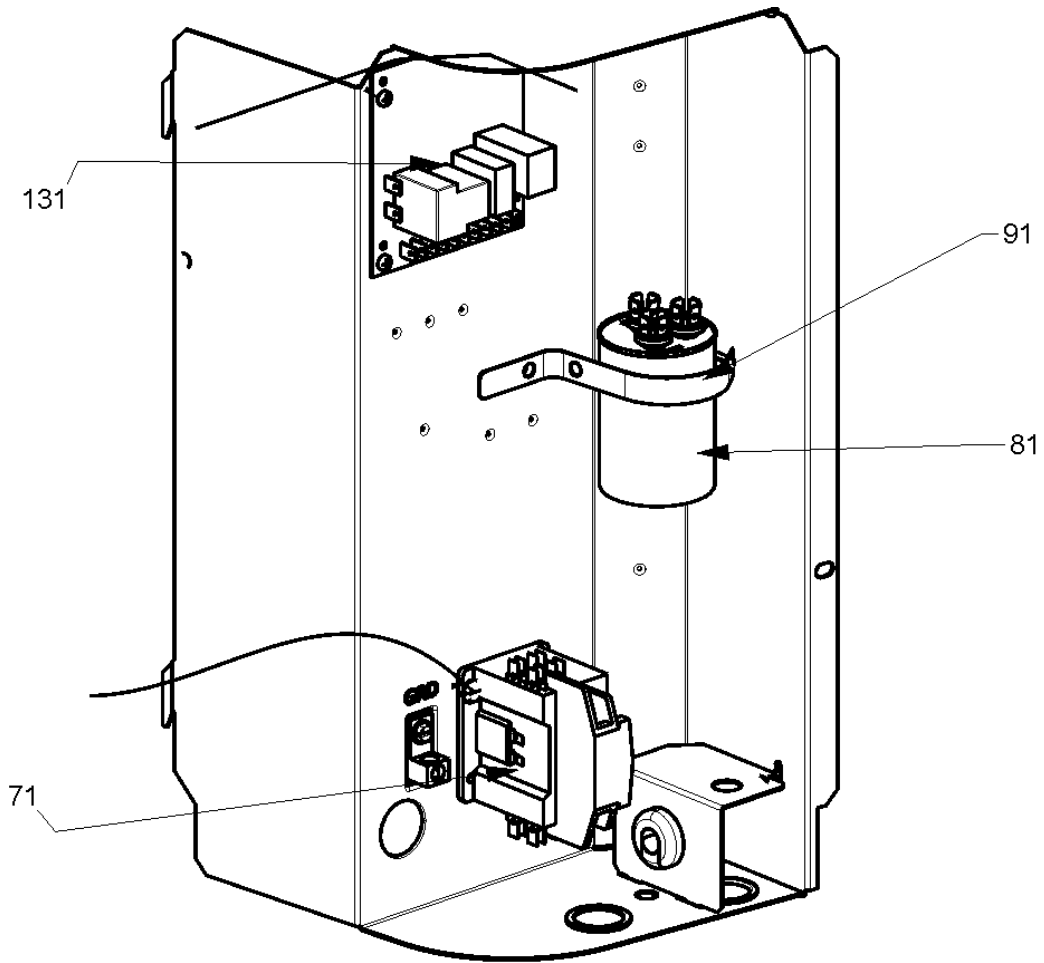
Functional Parts

Part

No: Description:

Part No:	Description:	Expanded Model Nomenclature
B12825171	3/8" SERVICE VALVE	M1 - VSZ130181AE
CAP050300440CS	CAP,5/30MFD/440V/DUAL RD (M1, M2)	M2 - VSZ130181AF
CAP050350440CS	CAPACITOR 5/35/440V (M4, M5)	M3 - VSZ130241BD
CAP050400440CT	CAPACITOR 5/40/440V/DUAL RD (M3, M6,	M4 - VSZ130241CA
CAP050450440CT	CAPACITOR 5/45/440V/DUAL RD (M8, M9, M10, M11, M12, M13)	M5 - VSZ130241CB
ZP16K5EPFV130	COMPRESSOR 15500, 208/230/60/1 (M1, M2)	M6 - VSZ130301AF
ZP20K5EPFV130	COMPRESSOR 20000, 208/230/60/1 (M4, M5)	M7 - VSZ130301AG
ZP21K5EPFV130	COMPRESSOR 21300, 208/230/60/1 (M3)	M8 - VSZ130361BD
ZP25K5EPFV130	COMPRESSOR 25200, 208/230/60/1 (M6, M7)	M9 - VSZ130361BE
ZP31K5EPFV130	COMPRESSOR 31100, 208/230/60/1 (M8, M9)	M10 - VSZ130421AF
ZP34K5EPFV130	COMPRESSOR 34500, 208/230/60/1 (M10, M11)	M11 - VSZ130421AG
ZP39K5EPFV130	COMPRESSOR 39000, 208/230/60/1 (M12, M13)	M12 - VSZ130481AE
0131M00018P	COND MOTOR 1/4 HP, 1 SP, 6 PL (M8, M9, M10, M11, M12, M13)	M13 - VSZ130481AF
0131M00266	COND MOTOR 1/8 HP, 8 PL, PSC (M1, M2, M4, M5, M6, M7)	
0131M00294	COND MOTOR, 1/8HP, ISP, 6PL (M3)	
CONT1P025024V	CONTACTOR 25 AMP, 1P, 24V (M1, M2, M3, M4, M5, M6, M7, M8, M9, M10, M11)	
CONT1P030024V	CONTACTOR 30 AMP, 1P, 24V (M12, M13)	
0130M00098	CONTROL, DEFROST (M3, M4, M5, M8, M9)	
0130M00105	CONTROL, DEFROST (M1, M2, M6, M7, M10, M11, M12, M13)	
0130M00089	CUT-OUT SWITCH, HIGH PRESSURE	
0130M00088	CUT-OUT SWITCH, LOW PRESSURE	
PCBDM133	DEFROST CONTROL BOARD	
0130M00106	DISC THERMOSTAT CRNKCS HTR SW	
0150M00018	FAN BLADE 20" (M1, M2)	
0150M00012	FAN BLADE 20" CCW (M4, M5, M6, M7)	
B1086750	FAN BLADE 22", 3 BLADE, 24° (M12, M13)	
0150M00033	FAN BLADE, 20", 3 BLADE, 24DEG (M3)	
0150M00022	FAN BLADE, 22" (M8, M9, M10, M11)	
0163R00006	HEATER, CRANKCASE 230V, 40W (M1, M2, M3, M4, M5, M6, M7, M8, M9)	
0163R00007	HEATER, CRANKCASE 230V, 40W (M10, M11, M12, M13)	
0151R00068	REVERSING VALVE (M2, M7)	
0151M00018	REVERSING VALVE (M1, M6)	
0151M00019	REVERSING VALVE (M8)	
0151R00067	REVERSING VALVE (M3)	
B1227314	REVERSING VALVE (M4, M5)	
0151R00070	REVERSING VALVE (M13)	
0151R00069	REVERSING VALVE (M9)	
0151R00071	REVERSING VALVE (M11)	
0151M00020	REVERSING VALVE (M10, M12)	
0151R00032	VALVE, BASE 3/4" OPEN LEFT (M1, M2, M3, M4, M5, M6, M7, M8, M9)	
0151R00033	VALVE, SERVICE 7/8" OPEN LEFT (M10, M11, M12, M13)	

Control Cover / Control Box



Control Cover / Control Box

Ref. Part No:	No:	Description:	Ref. Part No:	No:	Description:
---------------	-----	--------------	---------------	-----	--------------

Image 1:

11	0121R00318PBB	LOWER ACCESS PANEL (M10, M11)
11	0121R00321PBB	LOWER ACCESS PANEL (M12, M13)
11	0121R00323PBB	LOWER ACCESS PANEL (M1, M2, M3, M4, M5, M6, M7, M8, M9)
11	0121R00323PBB	LOWER ACCESS PANEL (M1, M2, M3, M4, M5, M6, M7, M8, M9)
21	0121R00053PBB	CONTROL COVER
71	CONT1P025024V	CONTACTOR 25 AMP, 1P, 24V (M1, M2, M3, M4, M5, M6, M7, M8, M9, M10, M11)
71	CONT1P030024V	CONTACTOR 30 AMP, 1P, 24V (M12, M13)
81	CAP050300440CS	CAP,5/30MFD/440V/DUAL RD (M1, M2)
81	CAP050350440CS	CAPACITOR 5/35/440V (M4, M5)
81	CAP050400440CT	CAPACITOR 5/40/440V/DUAL RD (M3, M6, M7)
81	CAP050450440CT	CAPACITOR 5/45/440V/DUAL RD (M8, M9, M10, M11, M12, M13)
91	4400065	CAPACITOR STRAP
131	PCBDM133	DEFROST CONTROL BOARD

Expanded Model Nomenclature

M1 - VSZ130181AE
M2 - VSZ130181AF
M3 - VSZ130241BD
M4 - VSZ130241CA
M5 - VSZ130241CB
M6 - VSZ130301AF
M7 - VSZ130301AG
M8 - VSZ130361BD
M9 - VSZ130361BE
M10 - VSZ130421AF
M11 - VSZ130421AG
M12 - VSZ130481AE
M13 - VSZ130481AF

Compressor / Tubing Assembly

Image 1

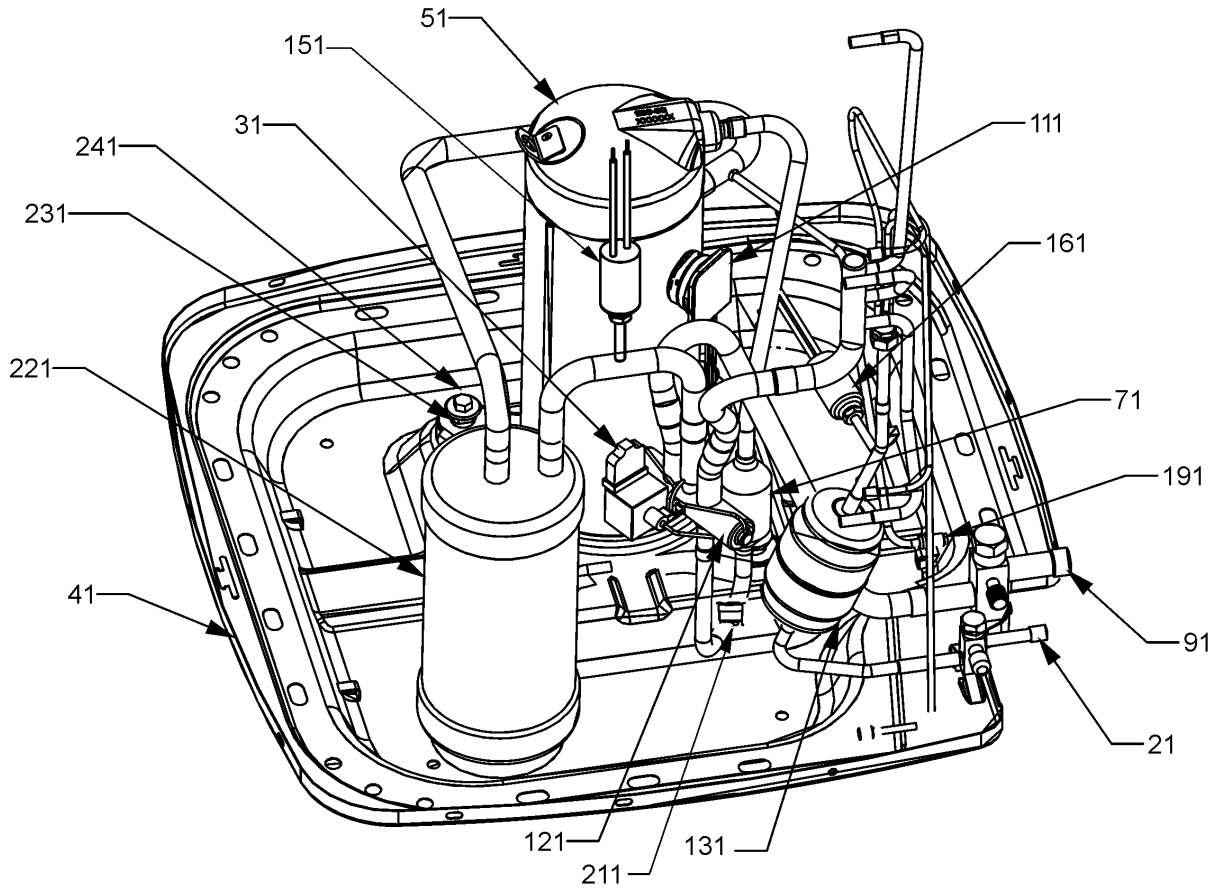
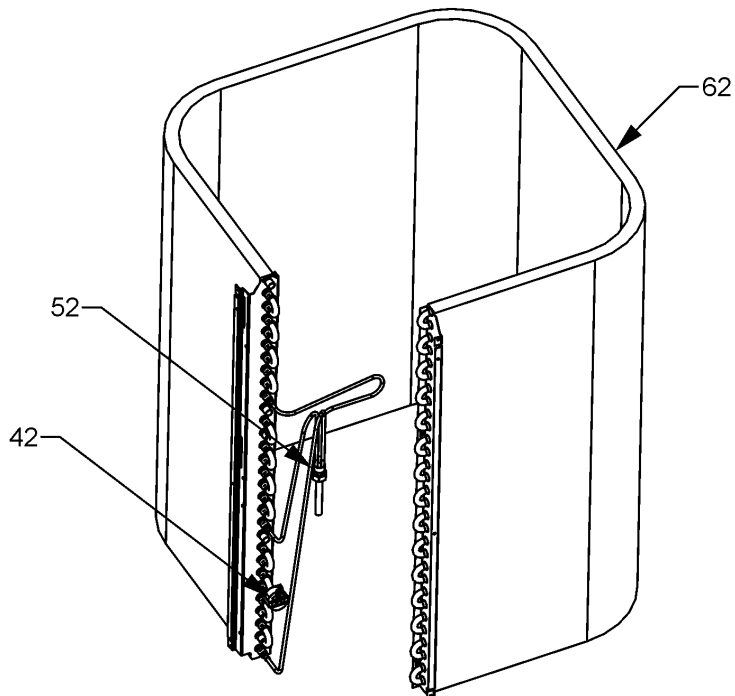


Image 2



Compressor / Tubing Assembly

Ref. Part No: No:	Description:	Ref. Part No: No:	Description:		
Image 1:		Image 2:			
21	B12825171	3/8" SERVICE VALVE	52	B1789878	FLOW CHECK PISTON KIT .078 (M12, M13)
31	B1225020	SOLENOID COIL CORD W/1/4" TERMINAL (M1, M4, M5, M6, M8, M10)	62	0201R00150s	COIL TUBING ASSY (M1, M2)
31	0130M00083	SOLENOID HARNESS W/1/4" TERM (M2, M3, M7, M9, M11, M12, M13)	62	0201R00152s	COIL TUBING ASSY (M10, M11)
41	0121R00006	BASE PAN 29" (M8, M9, M10, M11, M12, M13)	62	0201R00154s	COIL TUBING ASSY (M12, M13)
41	0121R00005	BASE PAN, 26" (M1, M2, M3, M4, M5, M6, M7)	62	0201R00285	COIL TUBING ASSY (M8, M9)
51	ZP16K5EPFV130	COMPRESSOR 15500, 208/230/60/1 (M1, M2)	62	0201R00317	COIL TUBING ASSY (M3, M4, M5)
51	ZP20K5EPFV130	COMPRESSOR 20000, 208/230/60/1 (M4, M5)	62	0201R00325	COIL TUBING ASSY (M6, M7)
51	ZP21K5EPFV130	COMPRESSOR 21300, 208/230/60/1 (M3)	Expanded Model Nomenclature		
51	ZP25K5EPFV130	COMPRESSOR 25200, 208/230/60/1 (M6, M7)	M1 - VSZ130181AE		
51	ZP31K5EPFV130	COMPRESSOR 31100, 208/230/60/1 (M8, M9)	M2 - VSZ130181AF		
51	ZP34K5EPFV130	COMPRESSOR 34500, 208/230/60/1 (M10, M11)	M3 - VSZ130241BD		
51	ZP39K5EPFV130	COMPRESSOR 39000, 208/230/60/1 (M12, M13)	M4 - VSZ130241CA		
71	B1219301	MUFFLER 1/2 X 1/2	M5 - VSZ130241CB		
91	0151R00032	VALVE, BASE 3/4" OPEN LEFT (M1, M2, M3, M4, M5, M6, M7, M8, M9)	M6 - VSZ130301AF		
91	0151R00033	VALVE, SERVICE 7/8" OPEN LEFT (M10, M11, M12, M13)	M7 - VSZ130301AG		
111	0159R00000P	COMPRESSOR SCROLL HARNESS (M1, M2, M3, M4, M5, M6, M7)	M8 - VSZ130361BD		
111	0159R00001P	COMPRESSOR SCROLL HARNESS (M8, M9, M10, M11, M12, M13)	M9 - VSZ130361BE		
121	0151M00018	REVERSING VALVE (M1, M6)	M10 - VSZ130421AF		
121	0151M00019	REVERSING VALVE (M8)	M11 - VSZ130421AG		
121	0151M00020	REVERSING VALVE (M10, M12)	M12 - VSZ130481AE		
121	0151R00067	REVERSING VALVE (M3)	M13 - VSZ130481AF		
121	0151R00068	REVERSING VALVE (M2, M7)			
121	0151R00069	REVERSING VALVE (M9)			
121	0151R00070	REVERSING VALVE (M13)			
121	0151R00071	REVERSING VALVE (M11)			
121	B1227314	REVERSING VALVE (M4, M5)			
131	20485201	BI-FLOW FILTER DRIER			
151	0130M00088	CUT-OUT SWITCH, LOW PRESSURE			
161	0130M00089	CUT-OUT SWITCH, HIGH PRESSURE			
211	0130M00106	DISC THERMOSTAT CRNKCS HTR SW			
221	B1226206	ACCUMULATOR (M1, M2, M3, M4, M5, M6, M7)			
221	0151R00004P	ACCUMULATOR .750 (M8, M9)			
221	B1226207	ACCUMULATOR .875 (M10, M11, M12, M13)			
231	B1339533	COMPRESSOR GROMMET (QTY 4)			
241	M0221641	TF SHOULDER SCREW (QTY 4)			
NS	20270812	COMPENSATOR (M8, M9)			
NS	20270815	COMPENSATOR (M3, M4, M5)			
NS	0163R00006	HEATER, CRANKCASE 230V, 40W (M1, M2, M3, M4, M5, M6, M7, M8, M9)			
NS	0163R00007	HEATER, CRANKCASE 230V, 40W (M10, M11, M12, M13)			
NS	B1225022	SOLENOID COIL			
NS	B1787000	VALVE CORE			
Image 2:					
42	0130M00098	CONTROL, DEFROST (M3, M4, M5, M8, M9)			
42	0130M00105	CONTROL, DEFROST (M1, M2, M6, M7, M10, M11, M12, M13)			
52	B1789872	FLOW CHECK PISTON KIT (M10, M11)			
52	B1789851	FLOW CHECK PISTON KIT .051 (M1, M2)			
52	B1789857	FLOW CHECK PISTON KIT .057 (M3, M4, M5)			
52	B1789865	FLOW CHECK PISTON KIT .065 (M6, M7)			
52	B1789871	FLOW CHECK PISTON KIT .071 (M8, M9)			

Cabinet Top / Side Panels

Image 1

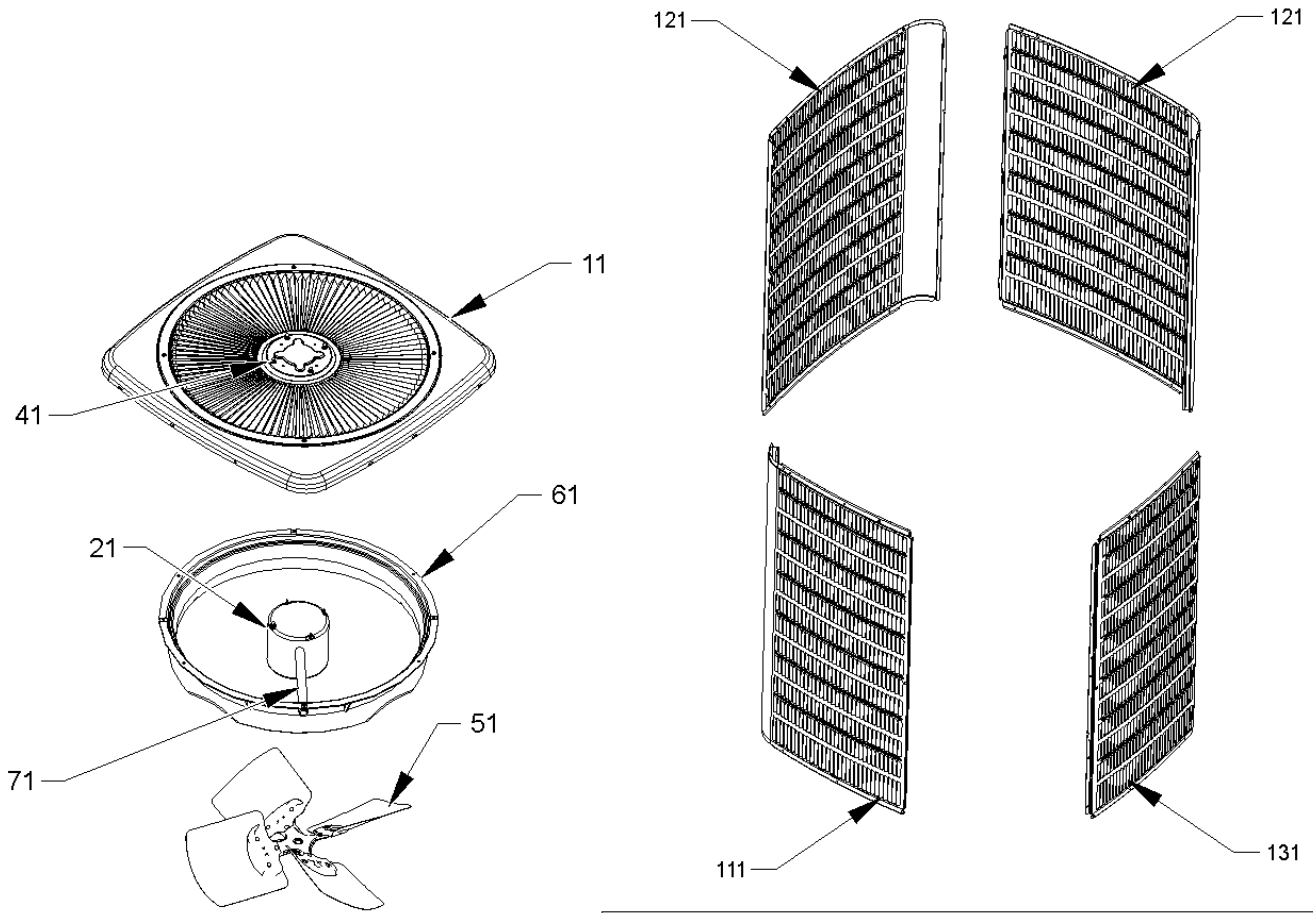
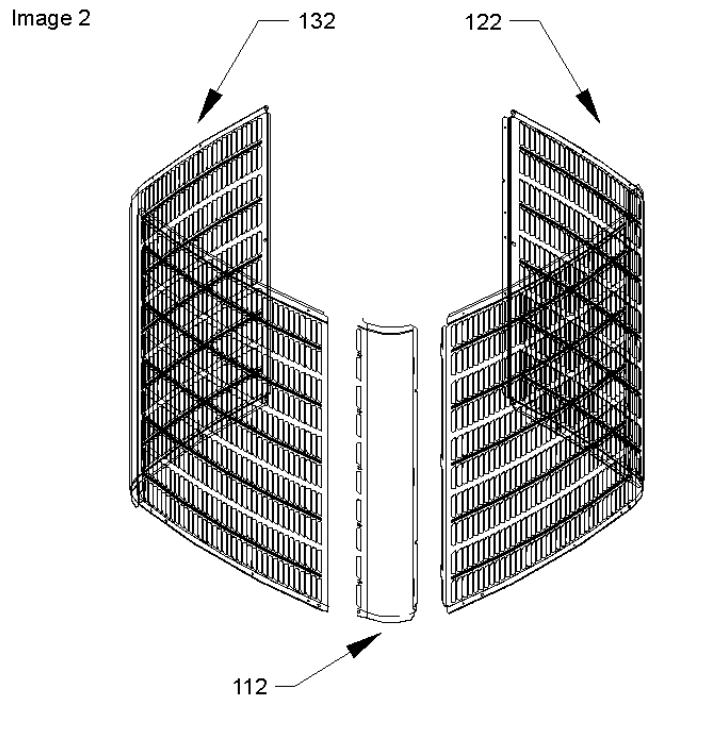


Image 2



Cabinet Top / Side Panels

Ref. Part No: No:	Description:	Ref. Part No: No:	Description:
-------------------	--------------	-------------------	--------------

Image 1:

11	0121R00008PBB	TOP PANEL 26" (M1, M2, M3, M4, M5, M6, M7)
11	0121R00010PBB	TOP PANEL 29" (M8, M9, M10, M11, M12, M13)
21	0131M00018P	COND MOTOR 1/4 HP, 1 SP, 6 PL (M8, M9, M10, M11, M12, M13)
21	0131M00266	COND MOTOR 1/8 HP, 8 PL, PSC (M1, M2, M4, M5, M6, M7)
21	0131M00294	COND MOTOR, 1/8HP, ISP, 6PL (M3)
41	0163M00006P	ACORN NUT 5/16 HEX BLACK (QTY 4)
51	0150M00018	FAN BLADE 20" (M1, M2)
51	0150M00012	FAN BLADE 20" CCW (M4, M5, M6, M7)
51	B1086750	FAN BLADE 22", 3 BLADE, 24° (M12, M13)
51	0150M00033	FAN BLADE, 20", 3 BLADE, 24DEG (M3)
51	0150M00022	FAN BLADE, 22" (M8, M9, M10, M11)
61	0161L00000	VENTURI RING 22" (M8, M9, M10, M11, M12, M13)
71	0161R00001P	CONDUIT (M1, M2, M3, M4, M5, M6, M7)
71	0161R00002P	CONDUIT (M8, M9, M10, M11, M12, M13)
111	0121R00171PBBB	LOUVERED SIDE PANEL [LT OF CNTL PNL] (M4)
121	0121R00172PBBB	LOUVERED SIDE PANEL (M4)
131	0121R00173PBB	LOUVERED SIDE PANEL [RT OF CNTL PNL] (M4)

Image 2:

112	0121R00349PBB	Louver Post, PBB 28.49 (M1, M2, M6, M7)
112	0121R00350PBB	Louver Post, PBB 28.73 (M3, M5, M8, M9)
112	0121R00351PBB	Louver Post, PBB 30.49 (M12, M13)
112	0121R00353PBB	Louver Post, PBB 34.49 (M10, M11)
122	0121R00338PBBRS	Louver Panel, PBB 26"_28.49 (M1, M2, M6, M7)
122	0121R00337PBBRS	Louver Panel, PBB 26"_28.73 (M3, M5)
122	0121R00342PBBRS	Louver Panel, PBB 29"_28.73 (M8, M9)
122	0121R00343PBBRS	Louver Panel, PBB 29"_30.49 (M12, M13)
122	0121R00345PBBRS	Louver Panel, PBB 29"_34.49 (M10, M11)
132	0121R00338PBBLS	Louver Panel, PBB 26"_28.49 (M1, M2, M6, M7)
132	0121R00337PBBLS	Louver Panel, PBB 26"_28.73 (M3, M5)
132	0121R00342PBBLS	Louver Panel, PBB 29"_28.73 (M8, M9)
132	0121R00343PBBLS	Louver Panel, PBB 29"_30.49 (M12, M13)
132	0121R00345PBBLS	Louver Panel, PBB 29"_34.49 (M10, M11)

Expanded Model Nomenclature

M1 - VSZ130181AE
M2 - VSZ130181AF
M3 - VSZ130241BD
M4 - VSZ130241CA
M5 - VSZ130241CB
M6 - VSZ130301AF
M7 - VSZ130301AG
M8 - VSZ130361BD
M9 - VSZ130361BE
M10 - VSZ130421AF
M11 - VSZ130421AG
M12 - VSZ130481AE
M13 - VSZ130481AF