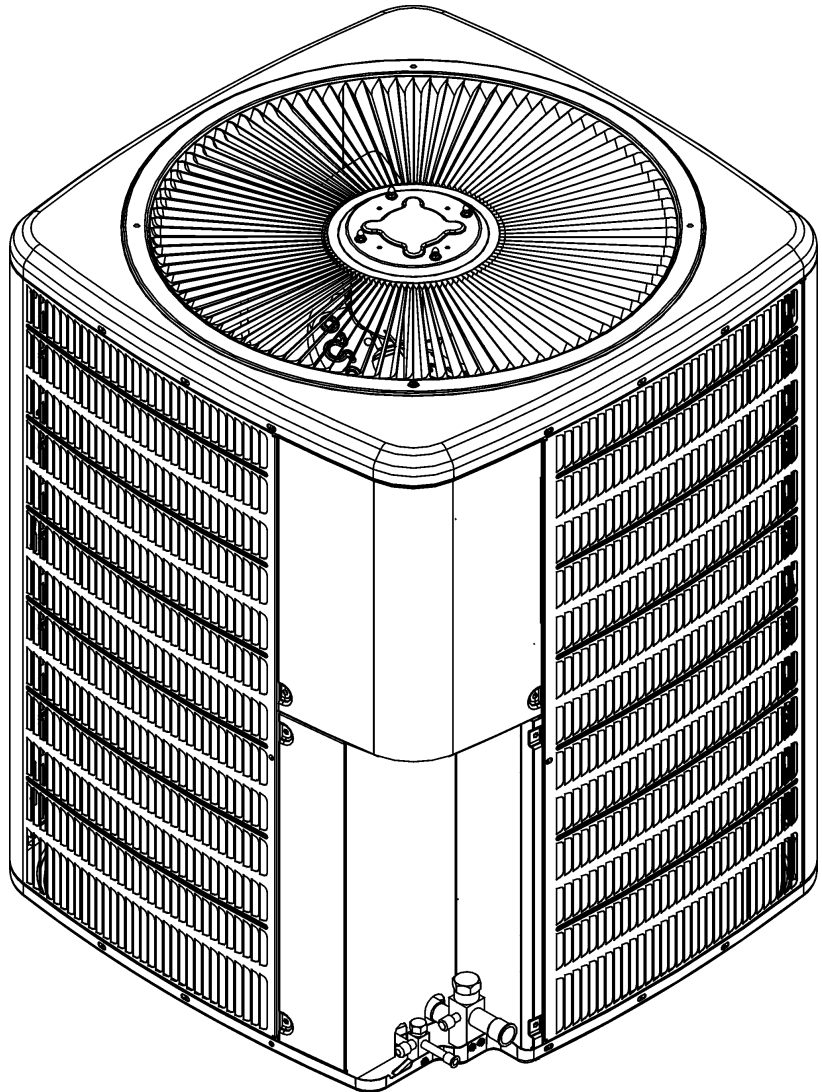


REPAIR PARTS

VSX14 Remote Condensing Unit

VSX140181AA
VSX140181BA
VSX140191AA
VSX140191AB
VSX140241AA
VSX140241AB
VSX140241BA
VSX140241BB
VSX140251AA
VSX140251BA
VSX140301AA
VSX140301AB
VSX140311AA
VSX140311AB
VSX140361AA
VSX140361AB
VSX140361AC
VSX140371AA
VSX140371AB
VSX140371AC
VSX140421AA
VSX140421AB
VSX140421AC
VSX140431AA
VSX140431AB
VSX140431AC
VSX140481AA
VSX140481AB
VSX140601AA
VSX140601AB



This manual is to be used by qualified technicians only.

This manual replaces RP-4000D.

© 2014 - 2016 Goodman Manufacturing Company, L.P. ♦ 5151 San Felipe St., Suite 500 ♦ Houston, TX 77056

Important Information

Index

Functional Parts List	3
Illustration and Parts	4 - 9

Views shown are for parts illustrations only, not servicing procedures

Text Codes:

AR - As Required

NA - Not Available

NS - Not Shown

00000000 - See Note

QTY - Quantity Example (QTY 3) (If Quantity not shown, Quantity = 1)

M - Model Example (M1) (If M Code not shown, then part is used on all Models)

Expanded Model Nomenclature:

Example M1 - Model#1 M2 - Model#2 M3 - Model#3

Goodman Manufacturing Company, L.P. is not responsible for personal injury or property damage resulting from improper service. Review all service information before beginning repairs.

Warranty service must be performed by an authorized technician, using authorized factory parts. If service is required after the warranty expires, Goodman Manufacturing Company, L.P. also recommends contacting an authorized technician and using authorized factory parts.

Goodman Manufacturing Company, L.P. reserves the right to discontinue, or change at any time, specifications or designs without notice or without incurring obligations.

For assistance within the U.S.A. contact:
Homeowner Support
Goodman Manufacturing Company, L.P.
19001 Kermier Road
Waller, Texas 77484
877-254-4729-Telephone
713-863-2382-Facsimile

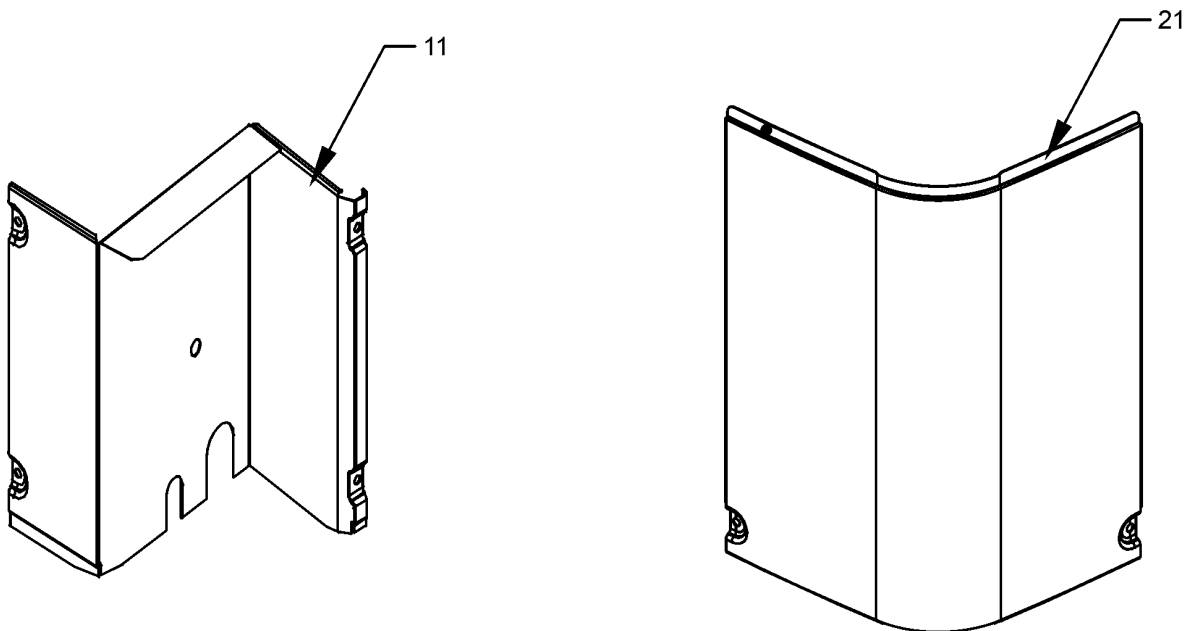
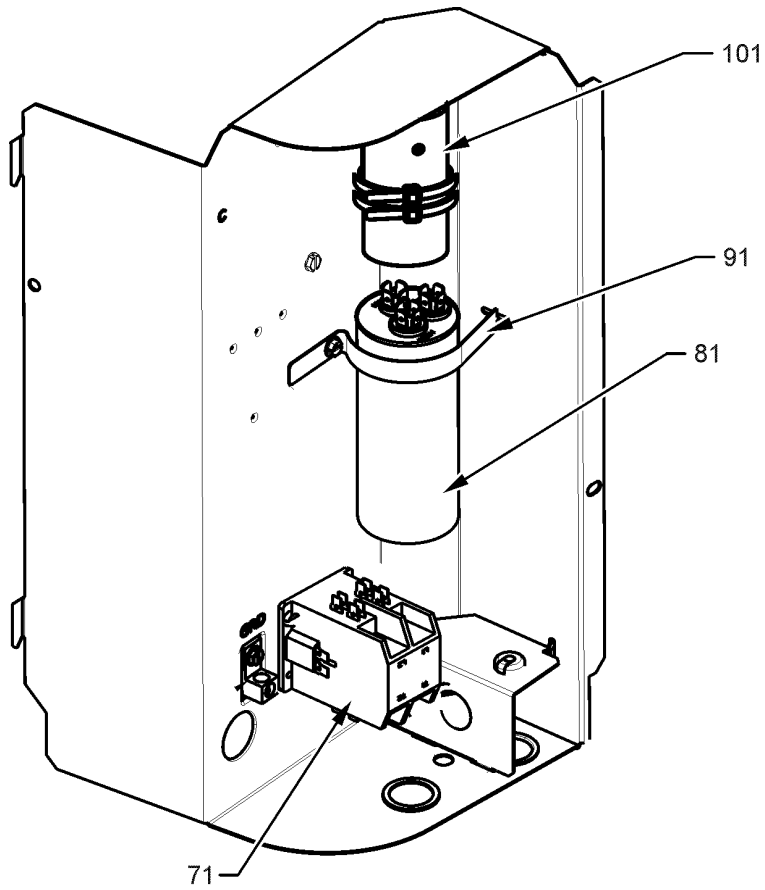
For assistance outside the U.S.A. contact:
International Division
Goodman Manufacturing Company, L.P.
19001 Kermier Road
Waller, Texas 77484
713-861-2500-Telephone
713-863-2382-Facsimile

Functional Parts

Part No: **Description:**

Part No:	Description:	Expanded Model Nomenclature
50N382XV-ZAKM	1.5TONRECHI COMPR.4 LEGS (M2)	M1 - VSX140181AA
50N492ZV-ZAKM	2.0TONRECHI COMPR.4 LEGS (M7, M8)	M2 - VSX140181BA
0151R00079	BASE VALVE 3/4" (M1, M2, M3, M4, M5, M6, M7, M8, M9, M10, M11, M12, M13, M14, M15, M16, M17, M18, M19, M20)	M3 - VSX140191AA
0151R00078	BASE VALVE 3/8"	M4 - VSX140191AB
0151R00080	BASE VALVE 7/8" (M21, M22, M23, M24, M25, M26, M27, M28, M29, M30)	M5 - VSX140241AA
CAP050300440CS	CAP,5/30MFD/440V/DUAL RD (M1, M3, M4)	M6 - VSX140241AB
CAP050350440CS	CAPACITOR 5/35/440V (M2, M5, M6, M9, M10)	M7 - VSX140241BA
CAP050400440CT	CAPACITOR 5/40/440V/DUAL RD (M11, M12, M13, M14)	M8 - VSX140241BB
CAP050450440CT	CAPACITOR 5/45/440V/DUAL RD (M7, M8, M15, M16, M17, M18, M19, M20, M21, M22, M23, M24, M25, M26, M27, M28)	M9 - VSX140251AA
CAP050700440CT	CAPACITOR 5/70/440V/DUAL RD (M29, M30)	M10 - VSX140251BA
ZP14K6EPFV130	COMP, 14,000,208/230/60/1 (M3, M4)	M11 - VSX140301AA
ZP20K6EPFV130	COMP, 20,000,208/230/60/1 (M5, M6, M9)	M12 - VSX140301AB
ZP24K6EPFV130	COMP, 24,000,208/230/60/1 (M13, M14)	M13 - VSX140311AA
ZP29K6EPFV130	COMP, 29,000,208/230/60/1 (M18, M19, M20)	M14 - VSX140311AB
ZP24K5EPFV130	COMP,24000,208/230/60/1 (M11, M12)	M15 - VSX140361AA
ZP29K5EPFV130	COMP,29000,208/230/60/1 (M15, M16, M17)	M16 - VSX140361AB
ZP49K5EPFV130	COMP,49400,208/230/60/1 (M29, M30)	M17 - VSX140361AC
ZP16K5EPFV130	COMPRESSOR 15500, 208/230/60/1 (M1)	M18 - VSX140371AA
ZP20K5EPFV130	COMPRESSOR 20000, 208/230/60/1 (M10)	M19 - VSX140371AB
ZP31K5EPFV130	COMPRESSOR 31100, 208/230/60/1 (M21, M22, M23, M24, M25, M26)	M20 - VSX140371AC
ZP38K5EPFV130	COMPRESSOR 37500, 208/230/60/1 (M27, M28)	M21 - VSX140421AA
0131M00019P	COND MOTOR 1/12 HP, 1 SP, 8 PL (M5, M8)	M22 - VSX140421AB
0131M00061	COND MOTOR 1/4 HP, 1 SP, 8 PL (M27, M28, M29, M30)	M23 - VSX140421AC
0131M00060	COND MOTOR 1/6 HP, 1 SP, 8 PL (M11, M13, M15, M16, M18, M19, M21, M22, M24, M25)	M24 - VSX140431AA
0131M00266	COND MOTOR 1/8 HP, 8 PL, PSC (M1, M2, M3, M4, M6, M7, M9, M10)	M25 - VSX140431AB
0131M00753	COND MOTOR, 1/6HP, 1SP, 8PL, AL (M12, M14, M17, M20, M23, M26)	M26 - VSX140431AC
CONT1P025024V	CONTACTOR 25 AMP, 1P, 24V (M1, M2, M3, M4, M5, M6, M7, M8, M9, M10, M11, M12, M13, M14, M15, M16, M17, M18, M19, M20, M21, M22, M23, M24, M25, M26)	M27 - VSX140481AA
CONT1P030024V	CONTACTOR 30 AMP, 1P, 24V (M27, M28, M29, M30)	M28 - VSX140481AB
0150M00001P	FAN BLADE 20 INCH (M8)	M29 - VSX140601AA
0150M00012	FAN BLADE 20" CCW (M1, M2, M3, M4, M5, M6, M7, M9, M10)	M30 - VSX140601AB
0150M00008	FAN BLADE 22" TNT2203-25 (M13, M14, M15, M16, M17, M18, M19, M20)	
10625738	FAN BLADE 26" ALUM CCW (M27, M28, M29, M30)	
B1086764	FAN BLADE TYPE 2 (M11, M12, M21, M22, M23, M24, M25, M26)	
CSR-U-1	HARD START KIT (M3)	

Control Cover & Control Box

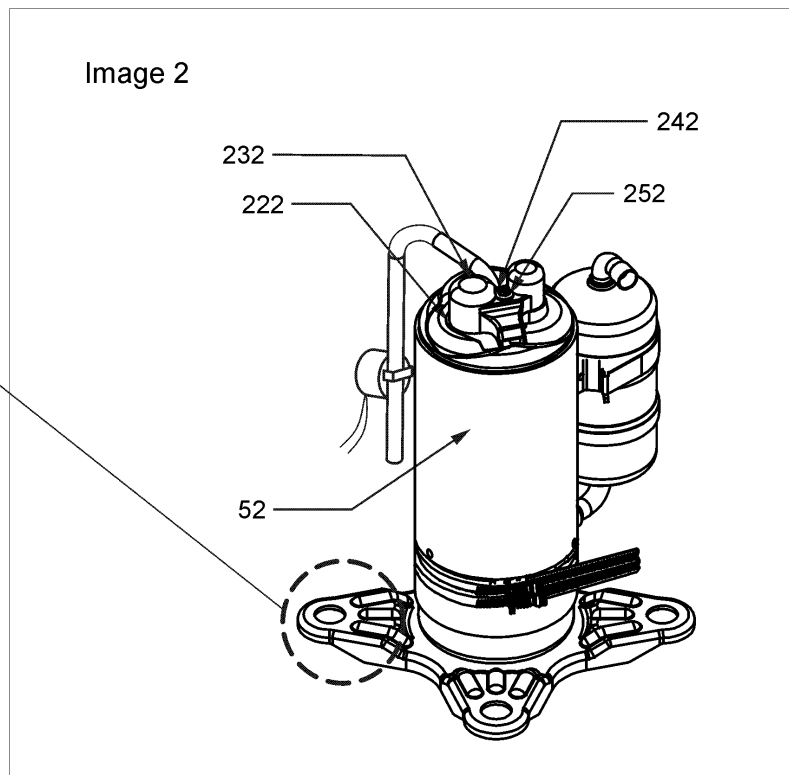
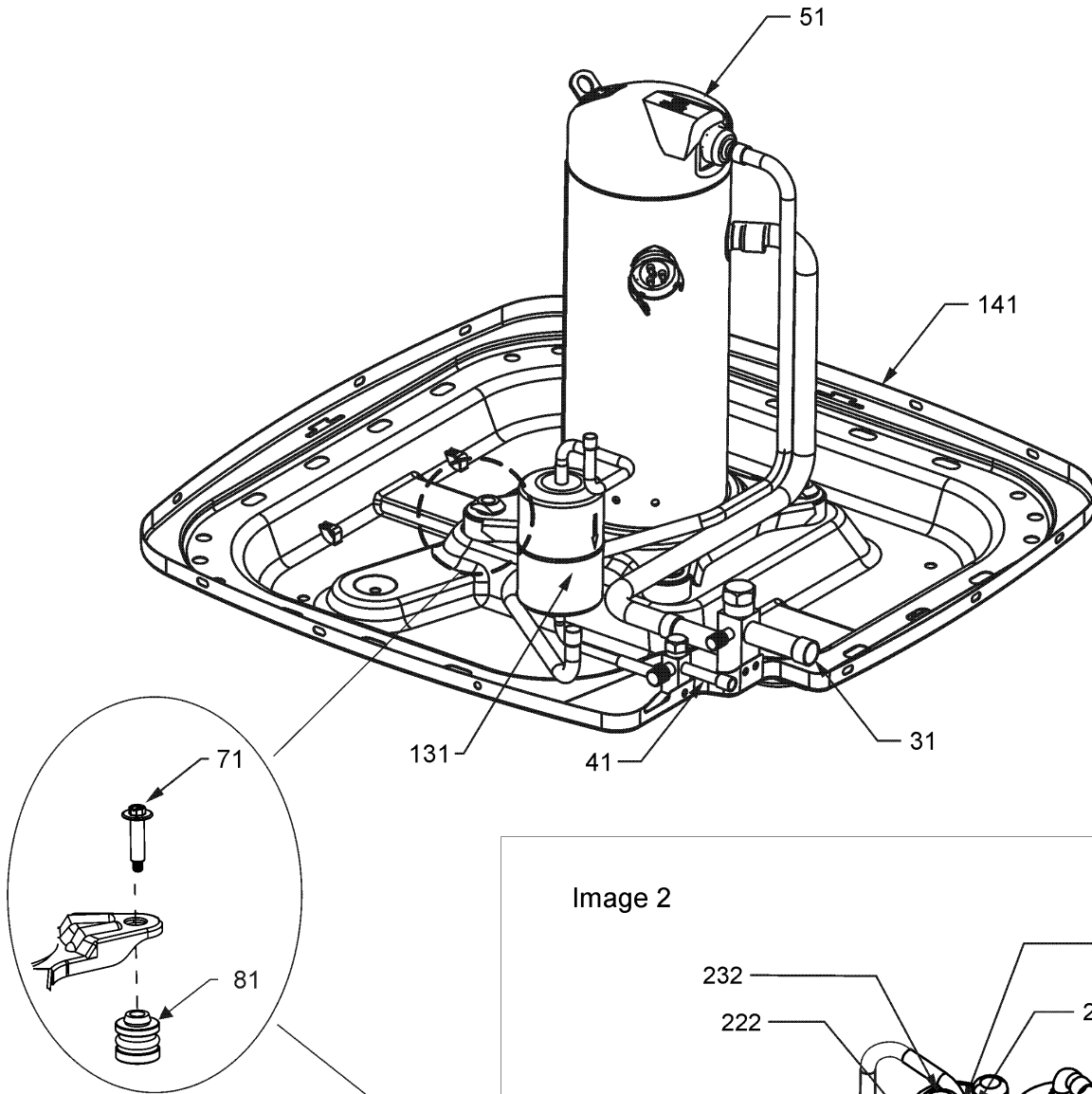


Control Cover & Control Box

Ref. Part No:	Description:	Ref. Part No:	Description:
<i>Image 1:</i>		Expanded Model Nomenclature	
11	0121R00316PBB PANEL, LOWER ACCESS PNT (M29, M30)	M1	- VSX140181AA
11	0121R00319PBB PANEL, LOWER ACCESS PNT (M21, M22, M23, M24, M25, M26, M27, M28)	M2	- VSX140181BA
11	0121R00326PBB PANEL, LOWER ACCESS PNT (M1, M2, M3, M4, M5, M6, M7, M8, M9)	M3	- VSX140191AA
11	0121R00663PBB PANEL, LOWER ACCESS PNT (M10, M11, M12, M13, M14, M15, M16, M17, M18, M19, M20)	M4	- VSX140191AB
21	0121R00053PBB CONTROL COVER	M5	- VSX140241AA
71	CONT1P025024V CONTACTOR 25 AMP, 1P, 24V (M1, M2, M3, M4, M5, M6, M7, M8, M9, M10, M11, M12, M13, M14, M15, M16, M17, M18, M19, M20, M21, M22, M23, M24, M25, M26)	M6	- VSX140241AB
71	CONT1P030024V CONTACTOR 30 AMP, 1P, 24V (M27, M28, M29, M30)	M7	- VSX140241BA
81	CAP050300440CS CAP, 5/30MFD/440V/DUAL RD (M1, M3, M4)	M8	- VSX140241BB
81	CAP050350440CS CAPACITOR 5/35/440V (M2, M5, M6, M9, M10)	M9	- VSX140251AA
81	CAP050400440CT CAPACITOR 5/40/440V/DUAL RD (M11, M12, M13, M14)	M10	- VSX140251BA
81	CAP050450440CT CAPACITOR 5/45/440V/DUAL RD (M7, M8, M15, M16, M17, M18, M19, M20, M21, M22, M23, M24, M25, M26, M27, M28)	M11	- VSX140301AA
81	CAP050700440CT CAPACITOR 5/70/440V/DUAL RD (M29, M30)	M12	- VSX140301AB
91	4400065 CAPACITOR STRAP	M13	- VSX140311AA
101	CSR-U-1 HARD START KIT (M3)	M14	- VSX140311AB
		M15	- VSX140361AA
		M16	- VSX140361AB
		M17	- VSX140361AC
		M18	- VSX140371AA
		M19	- VSX140371AB
		M20	- VSX140371AC
		M21	- VSX140421AA
		M22	- VSX140421AB
		M23	- VSX140421AC
		M24	- VSX140431AA
		M25	- VSX140431AB
		M26	- VSX140431AC
		M27	- VSX140481AA
		M28	- VSX140481AB
		M29	- VSX140601AA
		M30	- VSX140601AB

Compressor & Tubing Assembly

Image 1

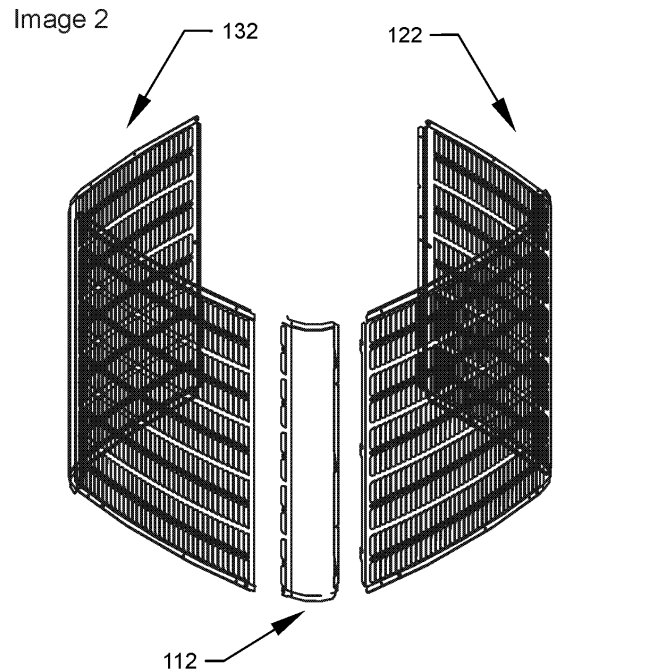
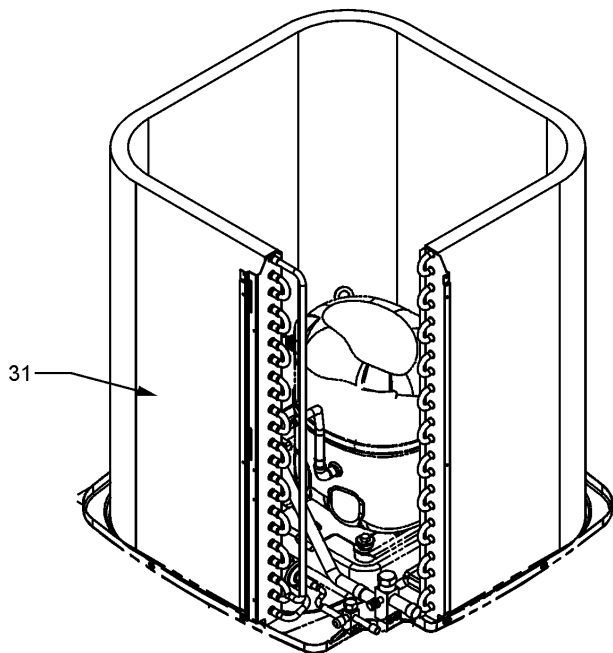
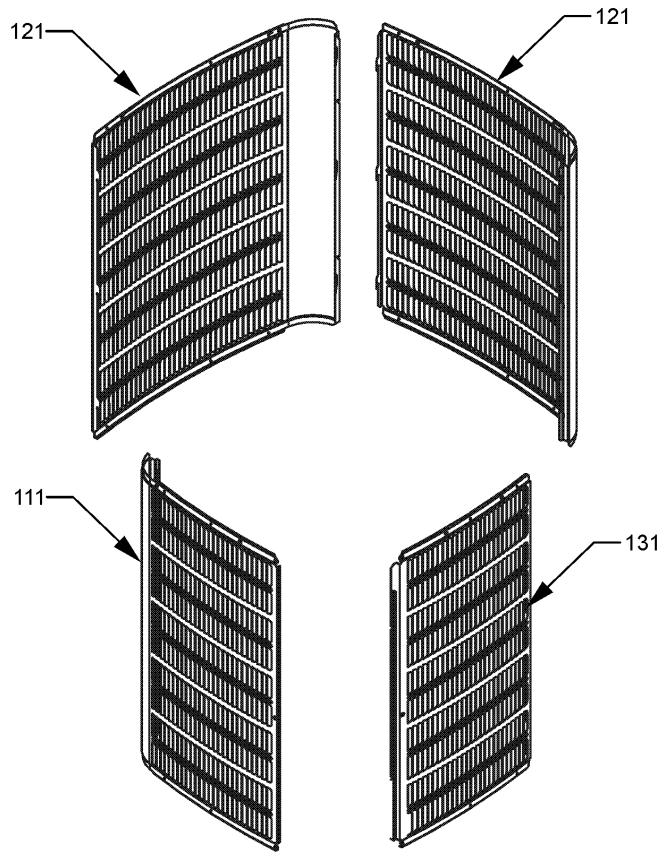
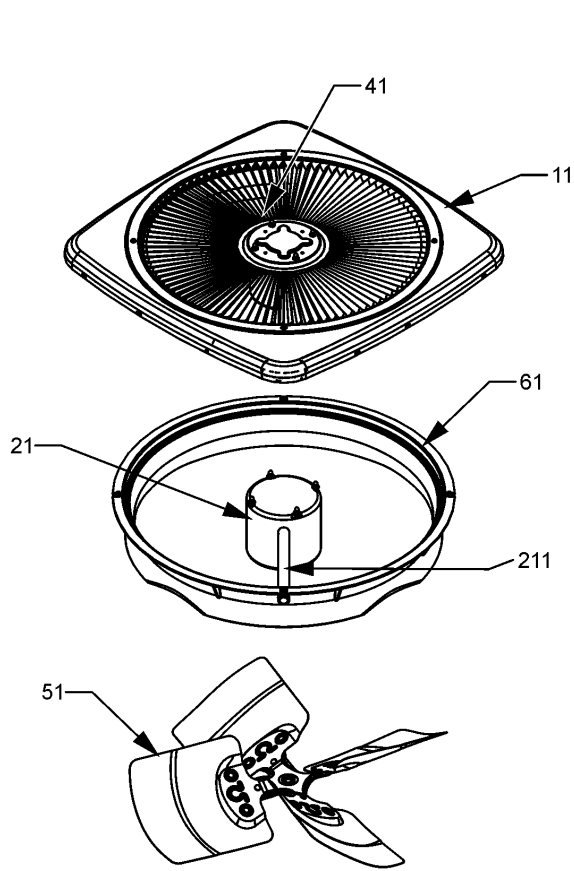


Compressor & Tubing Assembly

Ref. Part No: No:	Description:	Ref. Part No: No:	Description:	
Image 1:		Image 2:		
31	0151R00079	BASE VALVE 3/4" (M1, M2, M3, M4, M5, M6, M7, M8, M9, M10, M11, M12, M13, M14, M15, M16, M17, M18, M19, M20)	232 60100317	TERMINAL COVER (M2, M7, M8)
31	0151R00080	BASE VALVE 7/8" (M21, M22, M23, M24, M25, M26, M27, M28, M29, M30)	242 60100401	TERMINAL NUT - RECHI COMP (M2, M7, M8)
41	0151R00078	BASE VALVE 3/8"	252 60100201	WASHER - RECHI COMPRESSOR (M2, M7, M8)
51	ZP14K6EPFV130	COMP, 14,000,208/230/60/1 (M3, M4)	Expanded Model Nomenclature	
51	ZP20K6EPFV130	COMP, 20,000,208/230/60/1 (M5, M6, M9)	M1 - VSX140181AA	
51	ZP24K6EPFV130	COMP, 24,000,208/230/60/1 (M13, M14)	M2 - VSX140181BA	
51	ZP29K6EPFV130	COMP, 29,000,208/230/60/1 (M18, M19, M20)	M3 - VSX140191AA	
51	ZP24K5EPFV130	COMP,24000,208/230/60/1 (M11, M12)	M4 - VSX140191AB	
51	ZP29K5EPFV130	COMP,29000,208/230/60/1 (M15, M16, M17)	M5 - VSX140241AA	
51	ZP49K5EPFV130	COMP,49400,208/230/60/1 (M29, M30)	M6 - VSX140241AB	
51	ZP16K5EPFV130	COMPRESSOR 15500, 208/230/60/1 (M1)	M7 - VSX140241BA	
51	ZP20K5EPFV130	COMPRESSOR 20000, 208/230/60/1 (M10)	M8 - VSX140241BB	
51	ZP31K5EPFV130	COMPRESSOR 31100, 208/230/60/1 (M21, M22, M23, M24, M25, M26)	M9 - VSX140251AA	
51	ZP38K5EPFV130	COMPRESSOR 37500, 208/230/60/1 (M27, M28)	M10 - VSX140251BA	
71	0163M00186	TF SHOULDER SCREW (M2, M7, M8)	M11 - VSX140301AA	
71	M0221641	TF SHOULDER SCREW (M1, M3, M4, M5, M6, M9, M10, M11, M12, M13, M14, M15, M16, M17, M18, M19, M20, M21, M22, M23, M24, M25, M26, M27, M28, M29, M30)	M12 - VSX140301AB	
81	B1339533	COMPRESSOR GROMMET (M1, M3, M4, M5, M6, M9, M10, M11, M12, M13, M14, M15, M16, M17, M18, M19, M20, M21, M22, M23, M24, M25, M26, M27, M28, M29, M30)	M13 - VSX140311AA	
81	60140209	GROMMET - RECHI COMPRESSOR (M2, M7, M8)	M14 - VSX140311AB	
131	0162R00009	FILTER DRIER	M15 - VSX140361AA	
141	0121R00006	BASE PAN 29" (M11, M12, M13, M14, M15, M16, M17, M18, M19, M20, M21, M22, M23, M24, M25, M26)	M16 - VSX140361AB	
141	0121R00005	BASE PAN, 26" (M1, M2, M3, M4, M5, M6, M7, M8, M9, M10)	M17 - VSX140361AC	
141	0121R00007	BASE PAN, 35.5" (M27, M28, M29, M30)	M18 - VSX140371AA	
NS	0159R00000P	COMPRESSOR SCROLL HARNESS (M1, M3, M4, M5, M6, M9, M10)	M19 - VSX140371AB	
NS	0159R00001P	COMPRESSOR SCROLL HARNESS (M11, M12, M13, M14, M15, M16, M17, M18, M19, M20, M21, M22, M23, M24, M25, M26)	M20 - VSX140371AC	
NS	0159R00002P	COMPRESSOR SCROLL HARNESS (M27, M28, M29, M30)	M21 - VSX140421AA	
NS	B1789851	FLOW CHECK PISTON KIT .051 (M2)	M22 - VSX140421AB	
NS	B1789852	FLOW CHECK PISTON KIT .052 (M1)	M23 - VSX140421AC	
NS	B1789853	FLOW CHECK PISTON KIT .053 (M3, M4)	M24 - VSX140431AA	
NS	B1789857	FLOW CHECK PISTON KIT .057 (M5, M6, M7, M8, M9, M10)	M25 - VSX140431AB	
NS	B1789863	FLOW CHECK PISTON KIT .063 (M13, M14)	M26 - VSX140431AC	
NS	B1789865	FLOW CHECK PISTON KIT .065 (M11, M12)	M27 - VSX140481AA	
NS	B1789868	FLOW CHECK PISTON KIT .068 (M15, M16, M17)	M28 - VSX140481AB	
NS	B1789871	FLOW CHECK PISTON KIT .071 (M18, M19, M20)	M29 - VSX140601AA	
NS	B1789874	FLOW CHECK PISTON KIT .074 (M21, M22, M23, M24, M25, M26)	M30 - VSX140601AB	
NS	B1789878	FLOW CHECK PISTON KIT .078 (M27, M28)		
NS	B1789888	FLOW CHECK PISTON KIT .088 (M29, M30)		
Image 2:				
52	50N382XV-ZAKM	1.5TONRECHI COMPR.4 LEGS (M2)		
52	50N492ZV-ZAKM	2.0TONRECHI COMPR.4 LEGS (M7, M8)		
222	60100107	TERMINAL COVER GASKET (M2, M7, M8)		

Cabinet Top & Side Panels

Image 1



Cabinet Top & Side Panels

Ref. Part No: No:	Description:	Ref. Part No: No:	Description:
Image 1:		Image 2:	
11 0121R00008PBB	TOP PANEL 26" (M1, M2, M3, M4, M5, M6, M7, M8, M9, M10)	112 0121R00352PBB	Louver Post, PBB 32.51 (M21, M22, M23, M24, M25, M26)
11 0121R00010PBB	TOP PANEL 29" (M11, M12, M13, M14, M15, M16, M17, M18, M19, M20, M21, M22, M23, M24, M25, M26)	122 0121R00336PBBRS	Louver Panel, PBB 26" _23.73 (M1, M2, M3, M4, M5, M6, M7, M8, M9)
11 0121R00269PBB	TOP PANEL 35" (M27, M28, M29, M30)	122 0121R00337PBBRS	Louver Panel, PBB 26" _28.73 (M10)
21 0131M00019P	COND MOTOR 1/12 HP, 1 SP, 8 PL (M5, M8)	122 0121R00342PBBRS	Louver Panel, PBB 29" _28.73 (M11, M12, M13, M14, M15, M16, M17, M18, M19, M20)
21 0131M00061	COND MOTOR 1/4 HP, 1 SP, 8 PL (M27, M28, M29, M30)	122 0121R00344PBBRS	Louver Panel, PBB 29" _32.51 (M21, M22, M23, M24, M25, M26)
21 0131M00060	COND MOTOR 1/6 HP, 1 SP, 8 PL (M11, M13, M15, M16, M18, M19, M21, M22, M24, M25)	132 0121R00336PBBS	Louver Panel, PBB 23_25.2 (M1, M2, M3, M4, M5, M6, M7, M8, M9)
21 0131M00266	COND MOTOR 1/8 HP, 8 PL, PSC (M1, M2, M3, M4, M6, M7, M9, M10)	132 0121R00342PBBS	Louver Panel, PBB 26" _23.73 (M11, M12, M13, M14, M15, M16, M17, M18, M19, M20)
21 0131M00753	COND MOTOR, 1/6HP, 1SP, 8PL, AL (M12, M14, M17, M20, M23, M26)	132 0121R00337PBBS	Louver Panel, PBB 26" _28.73 (M10)
31 0201R00230	TUBING ASSY, COND COIL (M11, M12)	132 0121R00344PBBS	Louver Panel, PBB 29" _32.51 (M21, M22, M23, M24, M25, M26)
31 0201R00279	TUBING ASSY, COND COIL (M15, M16, M17)	Expanded Model Nomenclature	
31 0201R00296	TUBING ASSY, COND COIL (M13, M14, M18, M19, M20)	M1 - VSX140181AA	
31 0201R00385	TUBING ASSY, COND COIL (M27, M28)	M2 - VSX140181BA	
31 0201R00433	TUBING ASSY, COND COIL (M29, M30)	M3 - VSX140191AA	
31 0201R00458	TUBING ASSY, COND COIL (M1, M2, M3, M4, M5, M6, M7, M8, M9)	M4 - VSX140191AB	
31 0201R00566	TUBING ASSY, COND COIL (M21, M22, M23, M24, M25, M26)	M5 - VSX140241AA	
31 0201R00666	TUBING ASSY, COND COIL (M10)	M6 - VSX140241AB	
41 0163M00006P	ACORN NUT 5/16 HEX BLACK (QTY 4)	M7 - VSX140241BA	
51 0150M00001P	FAN BLADE 20 INCH (M8)	M8 - VSX140241BB	
51 0150M00012	FAN BLADE 20" CCW (M1, M2, M3, M4, M5, M6, M7, M9, M10)	M9 - VSX140251AA	
51 0150M00008	FAN BLADE 22" TNT2203-25 (M13, M14, M15, M16, M17, M18, M19, M20)	M10 - VSX140251BA	
51 10625738	FAN BLADE 26" ALUM CCW (M27, M28, M29, M30)	M11 - VSX140301AA	
51 B1086764	FAN BLADE TYPE 2 (M11, M12, M21, M22, M23, M24, M25, M26)	M12 - VSX140301AB	
61 0161L00000	VENTURI RING 22" (M13, M14, M18, M19, M20, M21, M22, M23, M24, M25, M26)	M13 - VSX140311AA	
61 0161R00007P	VENTURI RING 35" (M27, M28)	M14 - VSX140311AB	
111 0121R00229PBBB	PANEL 1, BENT LOUVER 35 (M29, M30)	M15 - VSX140361AA	
111 0121R00228PBBB	PANEL 1, BENT LOUVER 35, 5MM (M27, M28)	M16 - VSX140361AB	
121 0121R00232PBBB	PANEL 2, BENT LOUVER 35 (M29, M30)	M17 - VSX140361AC	
121 0121R00231PBBB	PANEL 2, BENT LOUVER 35, 5MM (M27, M28)	M18 - VSX140371AA	
131 0121R00235PBB	PANEL 3, LOUVER 35, 37.8 (M29, M30)	M19 - VSX140371AB	
131 0121R00234PBB	PANEL 3, LOUVER 35, 5MM, PNT (M27, M28)	M20 - VSX140371AC	
211 0161R00001P	CONDUIT (M1, M2, M3, M4, M5, M6, M7, M8, M9, M10)	M21 - VSX140421AA	
211 0161R00002P	CONDUIT (M13, M14, M18, M19, M20, M21, M22, M23, M24, M25, M26)	M22 - VSX140421AB	
211 0161R00003P	CONDUIT (M11, M12, M15, M16, M17)	M23 - VSX140421AC	
211 0161R00004P	CONDUIT (M27, M28)	M24 - VSX140431AA	
211 0161R00005P	CONDUIT (M29, M30)	M25 - VSX140431AB	
		M26 - VSX140431AC	
		M27 - VSX140481AA	
		M28 - VSX140481AB	
		M29 - VSX140601AA	
		M30 - VSX140601AB	
112 0121R00347PBB	Louver Post, PBB 23.73 (M1, M2, M3, M4, M5, M6, M7, M8, M9)		
112 0121R00350PBB	Louver Post, PBB 28.73 (M10, M11, M12, M13, M14, M15, M16, M17, M18, M19, M20)		