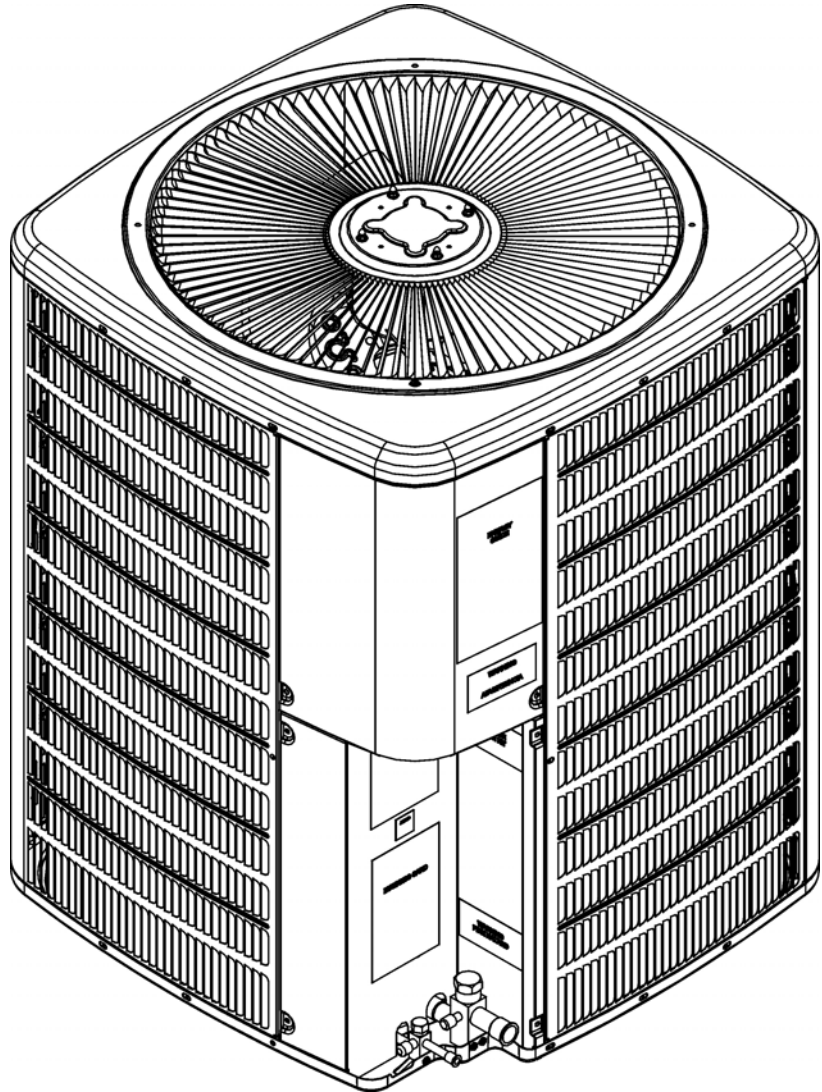


REPAIR PARTS

VSX13 Remote Condensing Unit

VSX130181EC
VSX130241DB
VSX130241EA
VSX130241EB
VSX130241EC
VSX130301AD
VSX130301AE
VSX130361EC
VSX130361ED
VSX130421AD
VSX130421AE
VSX130481AD
VSX130481AE
VSX130601BC
VSX130601BD
VSX130611AB



This manual is to be used by qualified technicians only.

This manual replaces RP-857A.

© 2014,2016 Goodman Manufacturing Company, L.P. ♦ 5151 San Felipe St., Suite 500 ♦ Houston, TX 77056

Important Information

Index

Functional Parts List	3
Illustration and Parts	4 - 9

Views shown are for parts illustrations only, not servicing procedures

Text Codes:

AR - As Required

NA - Not Available

NS - Not Shown

00000000 - See Note

QTY - Quantity Example (QTY 3) (If Quantity not shown, Quantity = 1)

M - Model Example (M1) (If M Code not shown, then part is used on all Models)

Expanded Model Nomenclature:

Example M1 - Model#1 M2 - Model#2 M3 - Model#3

Goodman Manufacturing Company, L.P. is not responsible for personal injury or property damage resulting from improper service. Review all service information before beginning repairs.

Warranty service must be performed by an authorized technician, using authorized factory parts. If service is required after the warranty expires, Goodman Manufacturing Company, L.P. also recommends contacting an authorized technician and using authorized factory parts.

Goodman Manufacturing Company, L.P. reserves the right to discontinue, or change at any time, specifications or designs without notice or without incurring obligations.

For assistance within the U.S.A. contact:
Consumer Affairs Department
Goodman Manufacturing Company, L.P.
7401 Security Way
Houston, Texas 77040
877-254-4729-Telephone
713-863-2382-Facsimile

For assistance outside the U.S.A. contact:
International Division
Goodman Manufacturing Company, L.P.
7401 Security Way
Houston, Texas 77040
713-861-2500-Telephone
713-863-2382-Facsimile

Functional Parts

Part

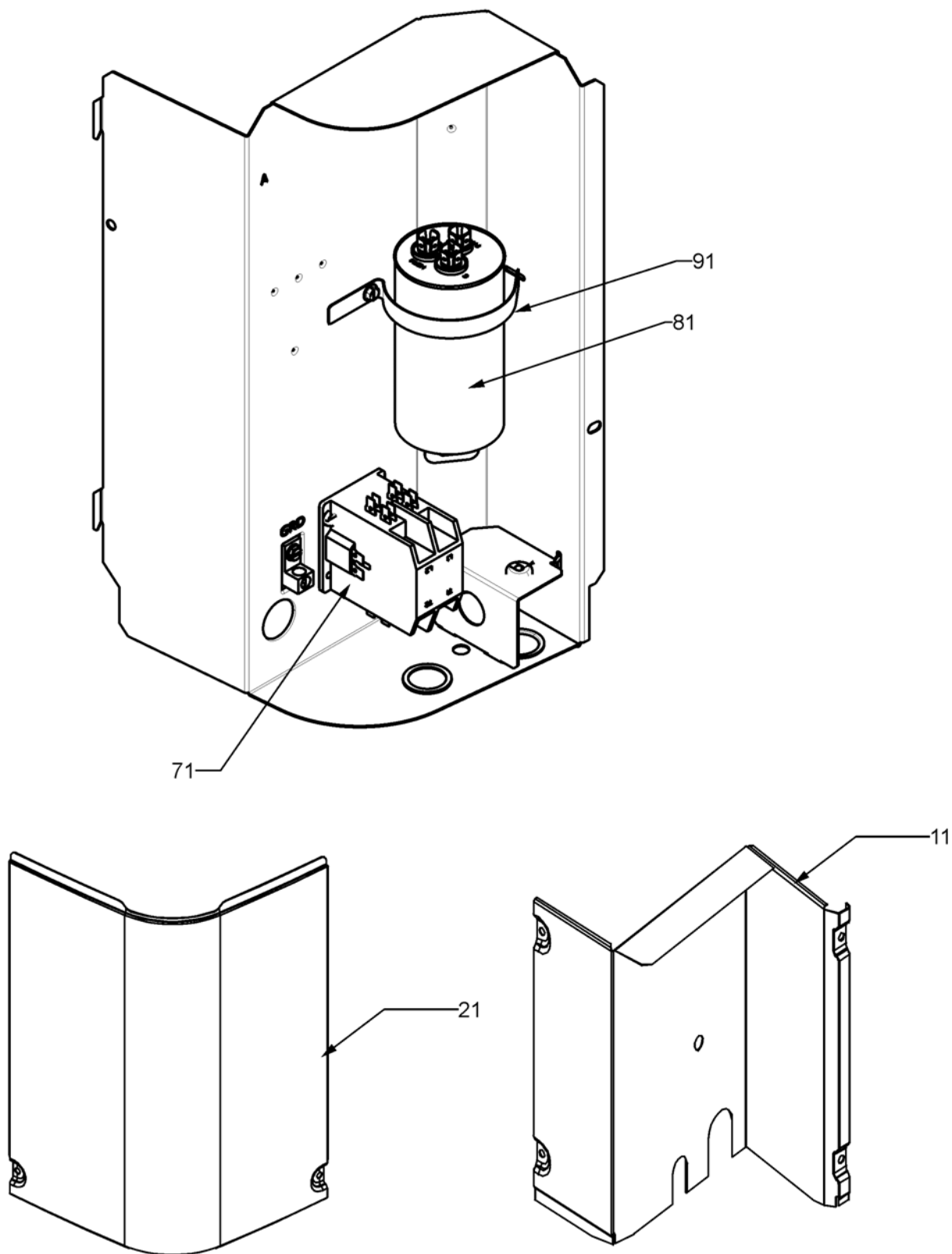
No: Description:

50N382XV-5AKM	1.5 Rechi Compressor (M1)
50N492ZV-ZAKM	2.0TONRECHI COMPR.4 LEGS (M3, M4, M5)
0151R00079	BASE VALVE 3/4" (M1, M2, M3, M4, M5, M6, M7, M8, M9)
0151R00078	BASE VALVE 3/8"
0151R00080	BASE VALVE 7/8" (M10, M11, M12, M13, M14, M15, M16)
CAP050350440CS	CAPACITOR 5/35/440V (M1, M2)
CAP050400440CT	CAPACITOR 5/40/440V/DUAL RD (M3, M4, M5, M6, M7, M8, M9, M10, M11, M12, M13)
CAP050700440CT	CAPACITOR 5/70/440V/DUAL RD (M14, M15, M16)
ZP24K5EPFV130	COMP,24000,208/230/60/1 (M6, M7)
ZP29K5EPFV130	COMP,29000,208/230/60/1 (M8, M9)
ZP49K5EPFV130	COMP,49400,208/230/60/1 (M14, M15)
ZP20K5EPFV130	COMPRESSOR 20000, 208/230/60/1 (M2)
ZP34K5EPFV130	COMPRESSOR 34500, 208/230/60/1 (M10, M11)
ZP39K5EPFV130	COMPRESSOR 39000, 208/230/60/1 (M12, M13)
ZP51K5EPFV130	COMPRESSOR 51000, 208/230/60/1 (M16)
0131M00018P	COND MOTOR 1/4 HP, 1 SP, 6 PL (M8, M9, M10, M11, M12, M13, M14, M15)
0131M00061	COND MOTOR 1/4 HP, 1 SP, 8 PL (M16)
0131M00276	COND MOTOR, 1/8 HP, ISP, 6PL (M1, M2)
0131M00294	COND MOTOR, 1/8HP, ISP, 6PL (M3, M4, M5, M6, M7)
CONT1P025024V	CONTACTOR 25 AMP, 1P, 24V (M1, M2, M3, M4, M5, M6, M7, M8, M9, M10, M11)
CONT1P030024V	CONTACTOR 30 AMP, 1P, 24V (M12, M13, M14, M15, M16)
0130M00089	CUT-OUT SWITCH, HIGH PRESSURE (M1, M3, M4, M5)
0150M00041	FAN BLADE (M8, M9)
0150M00018	FAN BLADE 20" (M3, M4, M5, M6, M7)
B1086750	FAN BLADE 22", 3 BLADE, 24° (M10, M11, M12, M13, M14, M15)
10625738	FAN BLADE 26" ALUM CCW (M16)
0150M00030	FAN BLADE, 18" (M1, M2)

Expanded Model Nomenclature

- | |
|-------------------|
| M1 - VSX130181EC |
| M2 - VSX130241DB |
| M3 - VSX130241EA |
| M4 - VSX130241EB |
| M5 - VSX130241EC |
| M6 - VSX130301AD |
| M7 - VSX130301AE |
| M8 - VSX130361EC |
| M9 - VSX130361ED |
| M10 - VSX130421AD |
| M11 - VSX130421AE |
| M12 - VSX130481AD |
| M13 - VSX130481AE |
| M14 - VSX130601BC |
| M15 - VSX130601BD |
| M16 - VSX130611AB |

Control Cover / Control Box



Control Cover / Control Box

Ref. Part No:	Ref. Part No:	Description:	Description:
---------------	---------------	--------------	--------------

Image 1:

11	0121R00316PBB	PANEL, LOWER ACCESS PNT (M14, M15)
11	0121R00319PBB	PANEL, LOWER ACCESS PNT (M10, M11, M12, M13, M16)
11	0121R00326PBB	PANEL, LOWER ACCESS PNT (M3, M4, M5, M6, M7, M8, M9)
11	0121R00265PBB	PANEL, LOWER ACCESS 23_25.2 PNT (M1, M2)
21	0121R00053PBB	CONTROL COVER (M3, M4, M5, M6, M7, M8, M9, M10, M11, M12, M13, M14, M15, M16)
21	0121R00268PBB	CONTROL COVER (M1, M2)
71	CONT1P025024V	CONTACTOR 25 AMP, 1P, 24V (M1, M2, M3, M4, M5, M6, M7, M8, M9, M10, M11)
71	CONT1P030024V	CONTACTOR 30 AMP, 1P, 24V (M12, M13, M14, M15, M16)
81	CAP050350440CS	CAPACITOR 5/35/440V (M1, M2)
81	CAP050400440CT	CAPACITOR 5/40/440V/DUAL RD (M3, M4, M5, M6, M7, M8, M9, M10, M11, M12, M13)
81	CAP050700440CT	CAPACITOR 5/70/440V/DUAL RD (M14, M15, M16)
91	4400065	CAPACITOR STRAP

Expanded Model Nomenclature

- M1 - VSX130181EC
- M2 - VSX130241DB
- M3 - VSX130241EA
- M4 - VSX130241EB
- M5 - VSX130241EC
- M6 - VSX130301AD
- M7 - VSX130301AE
- M8 - VSX130361EC
- M9 - VSX130361ED
- M10 - VSX130421AD
- M11 - VSX130421AE
- M12 - VSX130481AD
- M13 - VSX130481AE
- M14 - VSX130601BC
- M15 - VSX130601BD
- M16 - VSX130611AB

Compressor / Tubing Assembly/Condenser

Image 1

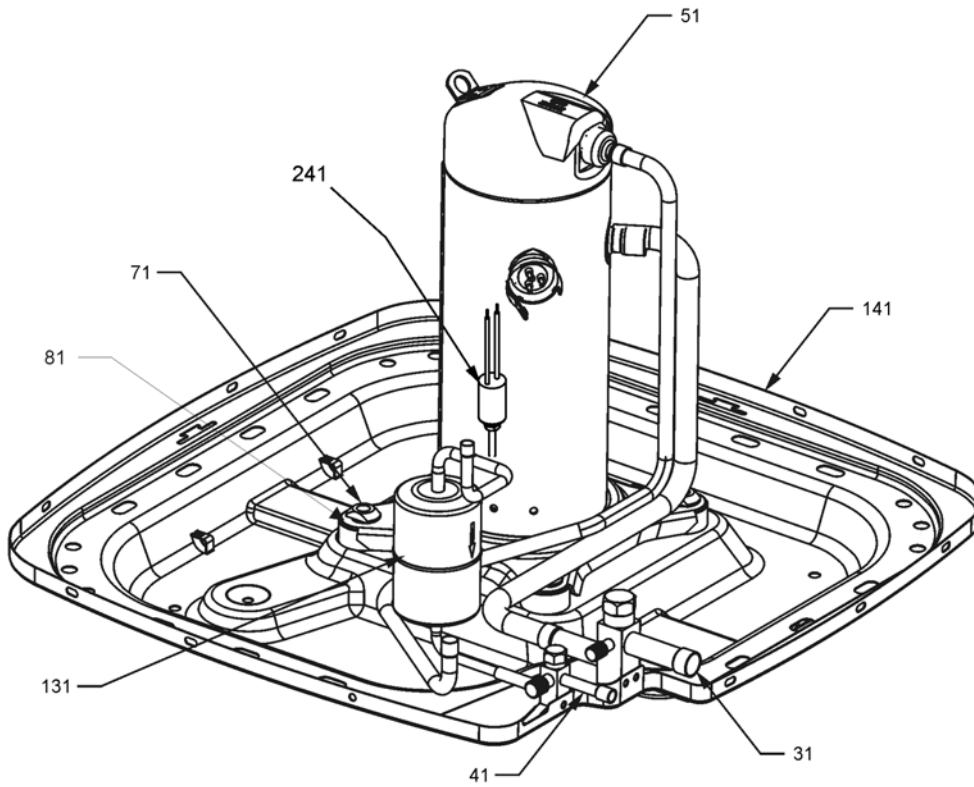


Image 2

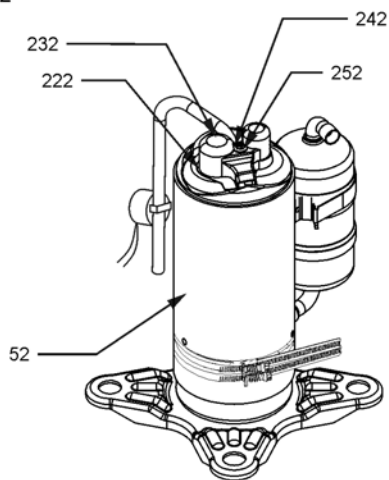
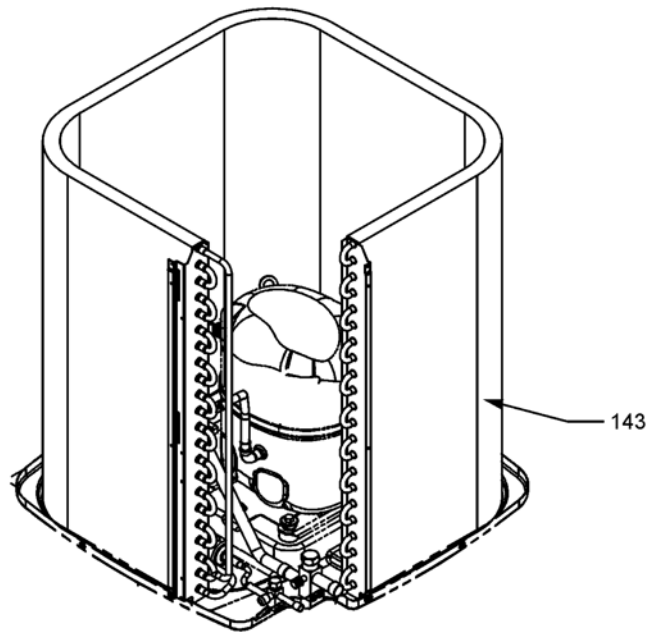


Image 3



Compressor / Tubing Assembly/Condenser

Ref. Part No: No:	Description:	Ref. Part No: No:	Description:
Image 1:		Expanded Model Nomenclature	
31	0151R00079	BASE VALVE 3/4" (M1, M2, M3, M4, M5, M6, M7, M8, M9)	M1 - VSX130181EC
31	0151R00080	BASE VALVE 7/8" (M10, M11, M12, M13, M14, M15, M16)	M2 - VSX130241DB
41	0151R00078	BASE VALVE 3/8"	M3 - VSX130241EA
51	ZP24K5EPFV130	COMP,24000,208/230/60/1 (M6, M7)	M4 - VSX130241EB
51	ZP29K5EPFV130	COMP,29000,208/230/60/1 (M8, M9)	M5 - VSX130241EC
51	ZP49K5EPFV130	COMP,49400,208/230/60/1 (M14, M15)	M6 - VSX130301AD
51	ZP20K5EPFV130	COMPRESSOR 20000, 208/230/60/1 (M2)	M7 - VSX130301AE
51	ZP34K5EPFV130	COMPRESSOR 34500, 208/230/60/1 (M10, M11)	M8 - VSX130361EC
51	ZP39K5EPFV130	COMPRESSOR 39000, 208/230/60/1 (M12, M13)	M9 - VSX130361ED
51	ZP51K5EPFV130	COMPRESSOR 51000, 208/230/60/1 (M16)	M10 - VSX130421AD
71	0163M00186	SCREW-SHOULDER TF (M3, M4, M5)	M11 - VSX130421AE
71	M0221641	TF SHOULDER SCREW (M2)	M12 - VSX130481AD
81	B1339533	COMPRESSOR GROMMET (M2, M6, M7, M8, M9, M10, M11, M12, M13, M14, M15, M16)	M13 - VSX130481AE
81	60140209	GROMMET - RECHI COMPRESSOR (M1, M3, M4, M5)	M14 - VSX130601BC
131	0162R00009	FILTER DRIER	M15 - VSX130601BD
141	0121R00272	BASE PAN, 23" (M1, M2)	M16 - VSX130611AB
141	0121R00005	BASE PAN, 26" (M3, M4, M5, M6, M7, M8, M9)	
141	0121R00006	BASE PAN, 29" (M10, M11, M12, M13, M14, M15)	
141	0121R00007	BASE PAN, 35.5" (M16)	
241	0130M00089	CUT-OUT SWITCH, HIGH PRESSURE (M1, M3, M4, M5)	
NS	0159R00000P	COMPRESSOR SCROLL HARNESS (M2, M6, M7, M8, M9)	
NS	0159R00001P	COMPRESSOR SCROLL HARNESS (M10, M11, M12, M13, M14, M15)	
NS	0159R00002P	COMPRESSOR SCROLL HARNESS (M16)	
NS	B1789886	FLOW CHECK PISTON KIT (M14, M15, M16)	
NS	B1789851	FLOW CHECK PISTON KIT .051 (M1)	
NS	B1789855	FLOW CHECK PISTON KIT .055 (M3, M4, M5)	
NS	B1789857	FLOW CHECK PISTON KIT .057 (M2)	
NS	B1789861	FLOW CHECK PISTON KIT .061 (M6, M7)	
NS	B1789870	FLOW CHECK PISTON KIT .070 (M8, M9)	
NS	B1789876	FLOW CHECK PISTON KIT .076 (M10, M11)	
NS	B1789880	FLOW CHECK PISTON KIT .080 (M12, M13)	
Image 2:			
52	50N382XV-5AKM	1.5 Rechi Compressor (M1)	
52	50N492ZV-ZAKM	2.0TONRECHI COMPR.4 LEGS (M3, M4, M5)	
222	60100107	TERMINAL COVER GASKET (M3, M4, M5)	
232	60100317	TERMINAL COVER (M3, M4, M5)	
242	60100401	TERMINAL NUT - RECHI COMP (M1, M3, M4, M5)	
252	60100201	WASHER - RECHI COMPRESSOR (M1, M3, M4, M5)	
Image 3:			
143	0201R00268	COIL TUBING ASSY (M3)	
143	0201R00349	COIL TUBING ASSY (M14, M15)	
143	0201R00385	COIL TUBING ASSY (M16)	
143	0201R00453	COIL TUBING ASSY (M1)	
143	0201R00458	COIL TUBING ASSY (M6, M7, M8, M9)	
143	0201R00467	COIL TUBING ASSY (M2)	
143	0201R00472	COIL TUBING ASSY (M10, M11, M12, M13)	
143	0201R00510	COIL TUBING ASSY (M4, M5)	

Cabinet Top / Side Panels

Image 1

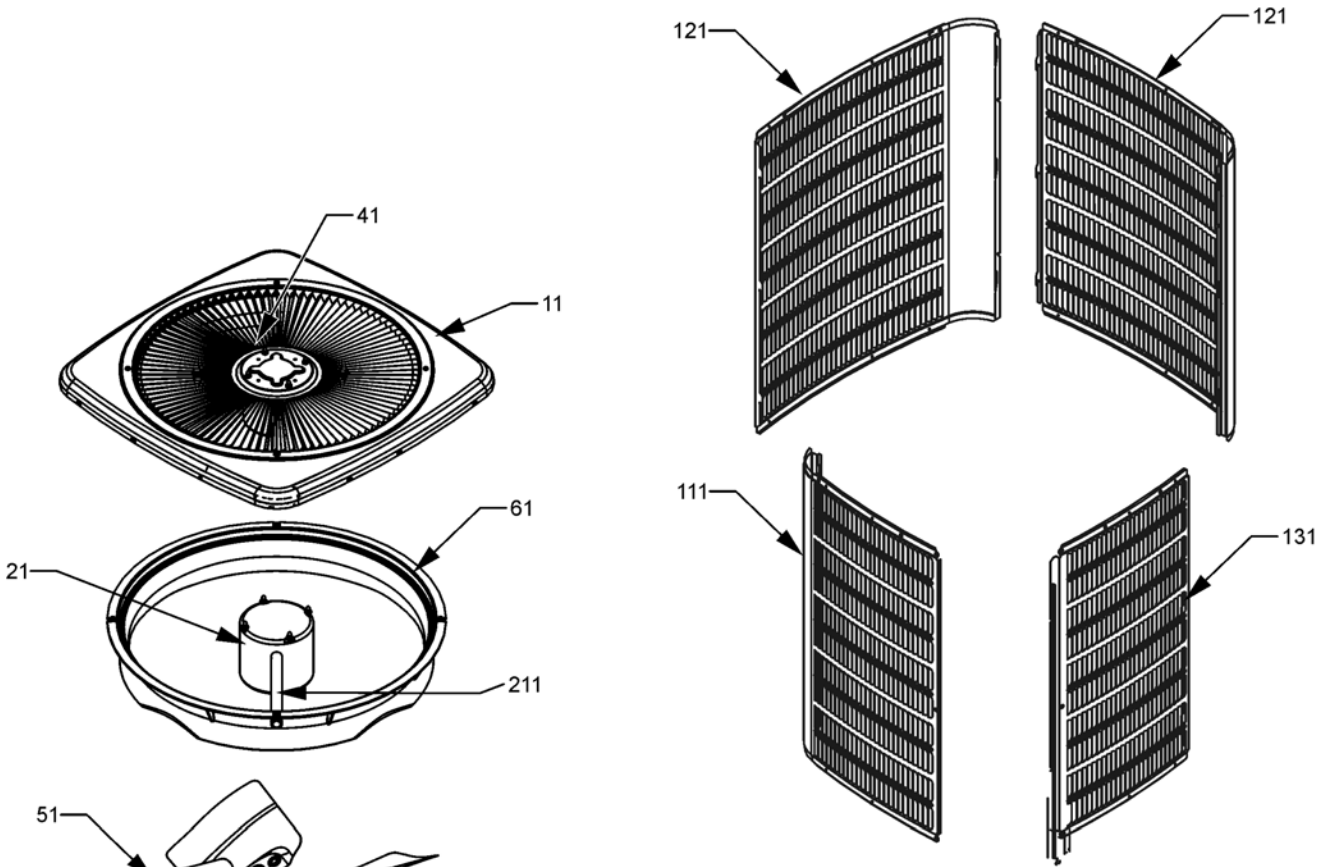
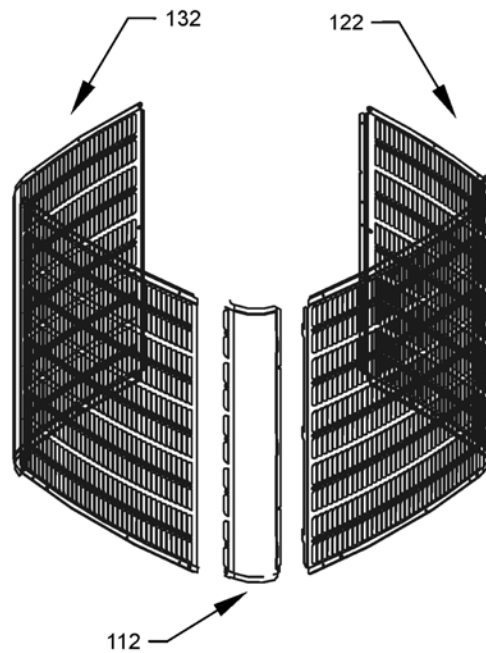


Image 2



Cabinet Top / Side Panels

**Ref. Part
No: No:**

Description:

**Ref. Part
No: No:**

Description:

Image 1:

11	0121R00270PBB	TOP PANEL (M1, M2)
11	0121R00008PBB	TOP PANEL 26" (M3, M4, M5, M6, M7, M8, M9)
11	0121R00010PBB	TOP PANEL 29" (M10, M11, M12, M13, M14, M15)
11	0121R00269PBB	TOP PANEL 35" (M16)
21	0131M00018P	COND MOTOR 1/4 HP, 1 SP, 6 PL (M8, M9, M10, M11, M12, M13, M14, M15)
21	0131M00061	COND MOTOR 1/4 HP, 1 SP, 8 PL (M16)
21	0131M00276	COND MOTOR, 1/8 HP, ISP, 6PL (M1, M2)
21	0131M00294	COND MOTOR, 1/8HP, ISP, 6PL (M3, M4, M5, M6, M7)
41	0163M00006P	ACORN NUT 5/16 HEX BLACK (QTY 4)
51	0150M00041	FAN BLADE (M8, M9)
51	0150M00018	FAN BLADE 20" (M3, M4, M5, M6, M7)
51	B1086750	FAN BLADE 22", 3 BLADE, 24° (M10, M11, M12, M13, M14, M15)
51	10625738	FAN BLADE 26" ALUM CCW (M16)
51	0150M00030	FAN BLADE, 18" (M1, M2)
61	0161L00000	VENTURI RING 22" (M10, M11, M12, M13, M14, M15)
61	0161R00007P	VENTURI RING 35" (M16)
111	0121R00228PBBB	PANEL 1, BENT LOUVER 35, 5MM (M16)
121	0121R00231PBBB	PANEL 2, BENT LOUVER 35, 5MM (M16)
131	0121R00234PBB	PANEL 3, LOUVER 35, 5MM, PNT (M16)
211	0161R00001P	CONDUIT (M3, M4, M5, M6, M7, M8, M9)
211	0161R00002P	CONDUIT (M10, M11, M12, M13, M14, M15)
211	0161R00004P	CONDUIT (M16)
211	0161R00032	CONDUIT (M1, M2)

Image 2:

112	0121R00347PBB	Louver Post, PBB 23.73 (M3, M4, M5, M6, M7, M8, M9)
112	0121R00280PBB	Louver Post, PBB 23_25.2, PNT BB (M1, M2)
112	0121R00352PBB	Louver Post, PBB 32.51 (M10, M11, M12, M13)
112	0121R00354PBB	Louver Post, PBB 36.30 (M14, M15)
122	0121R00274PBBR	Louver Panel, PBB 23_25.2 (M1, M2)
122	0121R00336PBBRS	Louver Panel, PBB 26"_23.73 (M3, M4, M5, M6, M7, M8, M9)
122	0121R00344PBBRS	Louver Panel, PBB 29"_32.51 (M10, M11, M12, M13)
122	0121R00346PBBRS	Louver Panel, PBB 29"_36.30 (M14, M15)
132	0121R00274PBBL	Louver Panel, PBB 23_25.2 (M1, M2)
132	0121R00336PBBLs	Louver Panel, PBB 26"_23.73 (M3, M4, M5, M6, M7, M8, M9)
132	0121R00344PBBLs	Louver Panel, PBB 29"_32.51 (M10, M11, M12, M13)
132	0121R00346PBBLs	Louver Panel, PBB 29"_36.30 (M14, M15)

Expanded Model Nomenclature

M1 - VSX130181EC
M2 - VSX130241DB
M3 - VSX130241EA
M4 - VSX130241EB
M5 - VSX130241EC
M6 - VSX130301AD
M7 - VSX130301AE
M8 - VSX130361EC
M9 - VSX130361ED
M10 - VSX130421AD
M11 - VSX130421AE
M12 - VSX130481AD
M13 - VSX130481AE
M14 - VSX130601BC
M15 - VSX130601BD
M16 - VSX130611AB