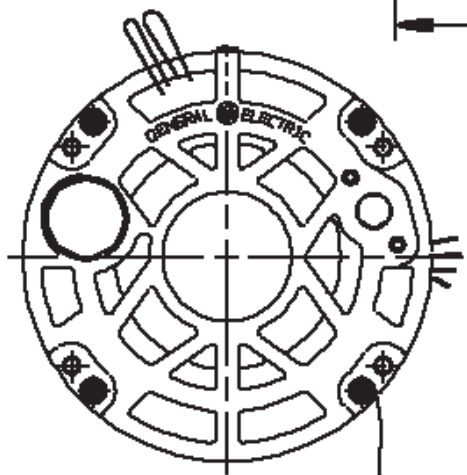
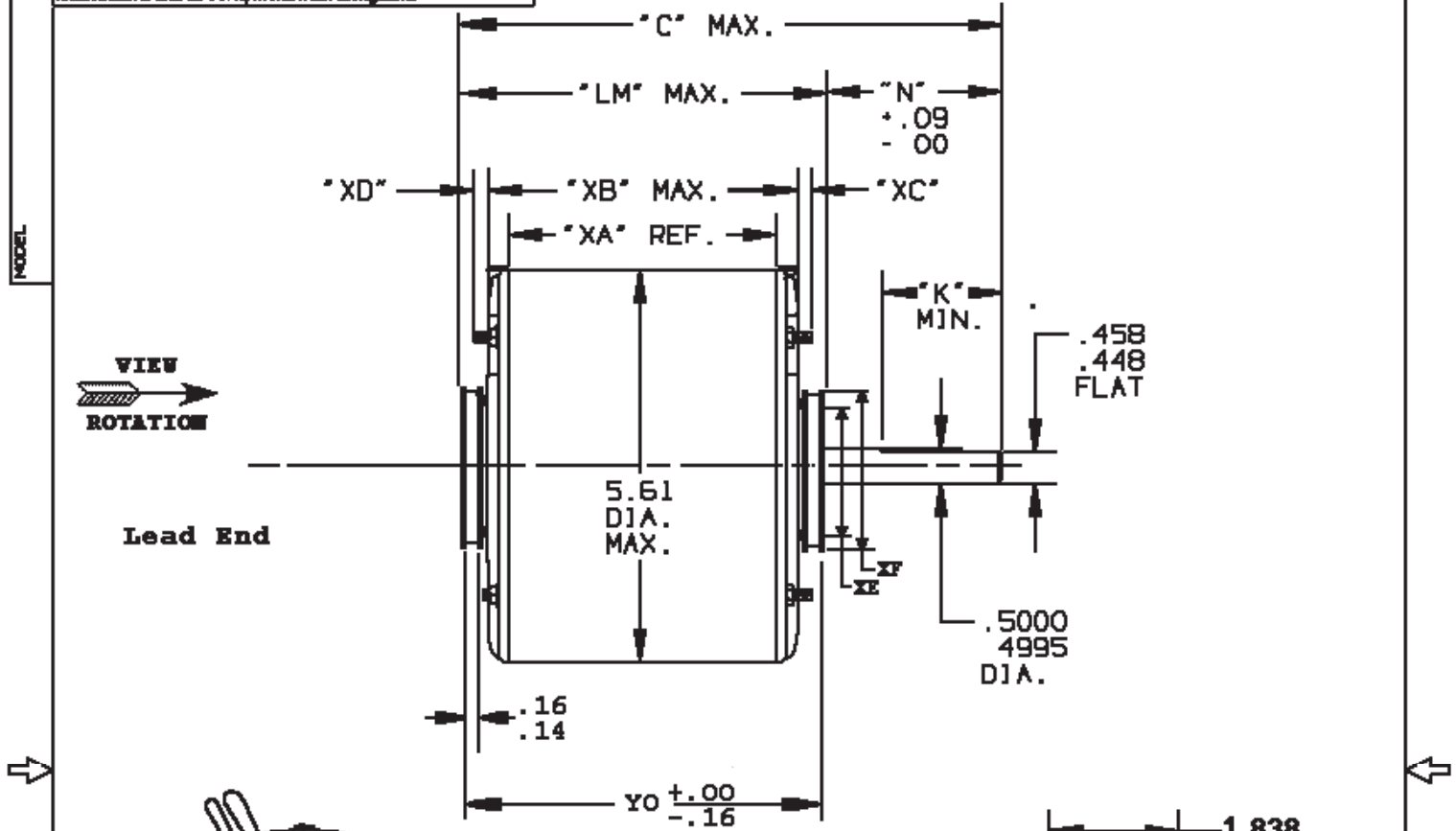


REVISIONS

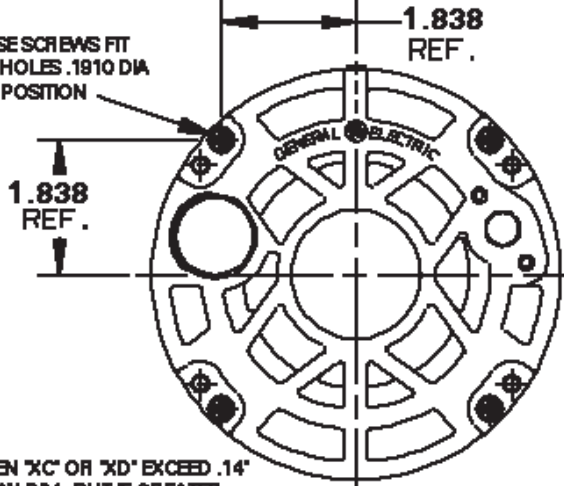
REV	DESCRIPTION
LOGO	MODIFIED ISU5-1777 JS

RBC PROPRIETARY AND CONFIDENTIAL INFORMATION
 This document is the property of REGAL-BELOIT CORPORATION ("RBC") including its subsidiaries and divisions and contains proprietary information of RBC. This document is loaned on the express condition that neither it nor the information contained therein shall be disclosed to others without the express written consent of RBC and that the information shall be used by the recipient only as approved expressly by RBC. This document shall be returned to RBC upon its request. This document may be subject to certain restrictions under the U.S. export control laws and regulations.

STOCK 3583



#8-32 THREAD- THESE SCREWS FIT A GAGE HAVING (4) HOLES .1810 DIA LOCATED ON BASIC POSITION



CLAMPSCREW POSITION WHEN 'XC' OR 'XD' EXCEED .14" IF 'XC' OR 'XD' = .14, IT IS A MAX DIM, BUT IF GREATER THAN A .14, VALUE GIVEN IS -.00/+.14. IF EXTRA NUTS ARE FURNISHED FOR SPACING, DIMENSION IS FROM NUT NEXT TO END SHIELD

9.14	4.00	3.50	5.09	4.89	3.57	4.23	0.50	-	2.22	2.25
C	N	K	LM	YO	XA	XB	XC	XD	XE	XF

Rotation **CW/CW** viewed in direction of arrow.
Ventilation System:
 Shell vents - OPEN
 End shield (opp. lead end) - OPEN
 End shield (lead end) - OPEN
 Leads exit thru SHELL 90 degrees CW from top of motor viewed in direction of arrow.

REGAL-BELOIT CORPORATION
 FORT WAYNE, INDIANA

MOTOR OUTLINE

MODEL: **5KCP39EGAA09 S** ISSUED: **RB 11/10/03** SCALE: **NO**