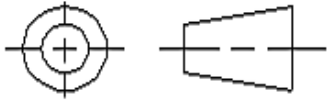


THIRD ANGLE PROJECTION

REVISIONS

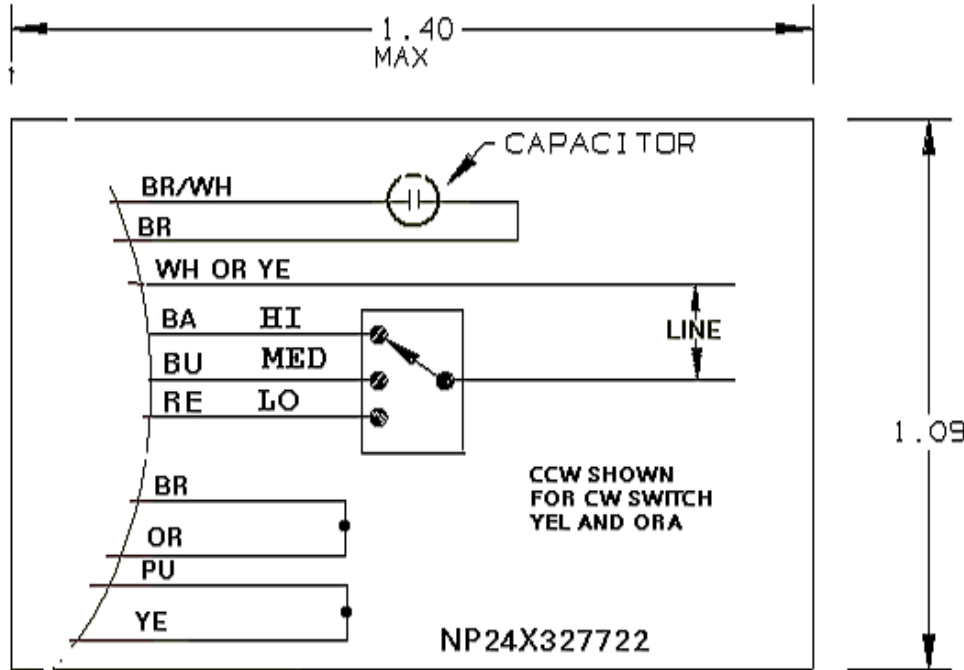


REV	DESCRIPTION	DATE	APPROVED
-----	-------------	------	----------

1 CAS 5/8/01 ELEC FORMAT

**CONFIDENTIAL AND PROPRIETARY**

This document is the property of General Electric Company and contains proprietary and confidential information of the Motor Business Group (MBG). The document is loaned on the express conditions that neither it nor the information contained therein shall be disclosed to others without the express consent of MBG and that the information shall be used by the recipient only as approved expressly by MBG. Also, the document shall be returned to MBG upon its request.



NOTE: THIS DRAWING WILL BE ELECTRONICALLY REPRODUCED BY THE HVAC FAN MOTOR NAMEPLATE SYSTEM.

UNLESS OTHERWISE SPECIFIED DIMENSIONS ARE IN INCHES TOLERANCES ON: 2 PL DECIMALS ± 3 PL DECIMALS ± ANGLES ± FRACTIONS ± MATERIAL: APPLIED PRACTICES:	SIGNATURES	DATE	<p><b>GE Motors</b></p> <p>Fort Wayne, Indiana</p> <h1>NAMEPLATE LABEL</h1>
	DRAWN	CAS 12/14/94	
	CHECKED		
	ENGRD		
	ISSUED		
	CAD NO	SIZE	FSCM NO
		A	
		SCALE	DWG NO
		3	NP24X327722
			SHEET 1 OF 1

F39: XNP8

DISTR TO