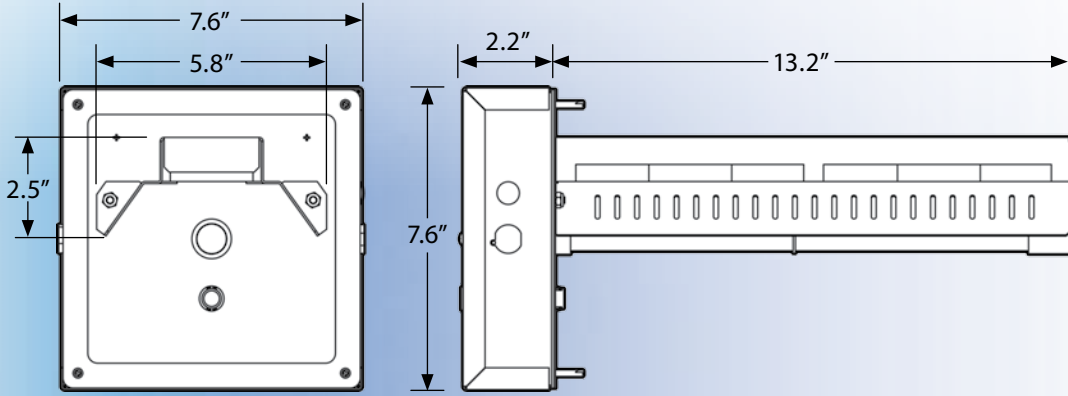




**APCO**

- High or low-voltage internal power supply
- Slotted flanges enhance air flow
- Ideal for HVAC systems from to 3-7 tons



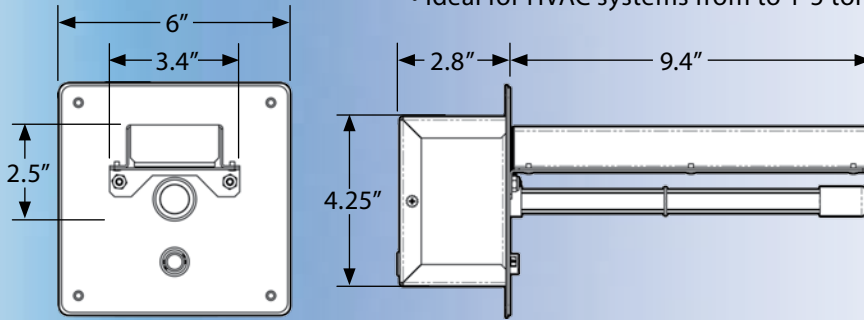
**APCO Part #s**

- Low-voltage 18-32 VAC  
 TUV-APCO-ER  
 TUV-APCO-ER2  
 TUV-APCO-DER  
 TUV-APCO-DER2

- High-voltage 120-277 VAC  
 TUV-APCO-SI  
 TUV-APCO SI2  
 TUV-APCO DI  
 TUV-APCO DI2

**APCO RT**

- High or low-voltage remote power supply
- Requires only 10" clearance within the duct
- Ideal for HVAC systems from to 1-5 tons



**APCO RT Part #s**

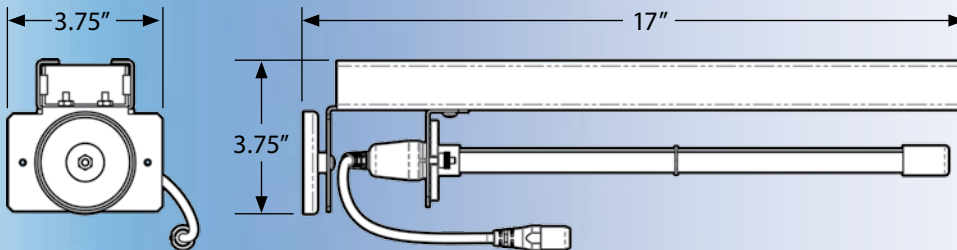
- Low-voltage 18-32 VAC  
 TUV-APCO-RT-ER  
 TUV-APCO-RT-ER2

- High-voltage 120-277 VAC  
 TUV-APCO-RT-ST  
 TUV-APCO-RT-ST2  
 TUV-APCO-RT-DT  
 TUV-APCO-RT-DT2

**APCO MAG**

- High or low-voltage remote power supply
- Removable magnet for internal mounting
- Ideal for package units

**APCO MAG 15**

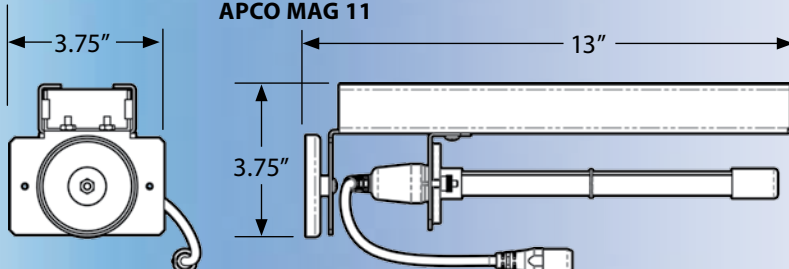


**APCO MAG 15 Part #s**

- Low-voltage 18-32 VAC  
 TUV-APCO-MAG15-ER  
 TUV-APCO-MAG15-ER2

- High-voltage 120-277 VAC  
 TUV-APCO-MAG15-ST  
 TUV-APCO-MAG15-ST2  
 TUV-APCO-MAG15-DT  
 TUV-APCO-MAG15-DT2

**APCO MAG 11**



**APCO MAG 11 Part #s**

- Low-voltage 18-32 VAC  
 TUV-APCO-MAG11-ER  
 TUV-APCO-MAG11-ER2

- High-voltage 120-277 VAC  
 TUV-APCO-MAG11-ST  
 TUV-APCO-MAG11-ST2  
 TUV-APCO-MAG11-DT  
 TUV-APCO-MAG11-DT2

# Installation Examples

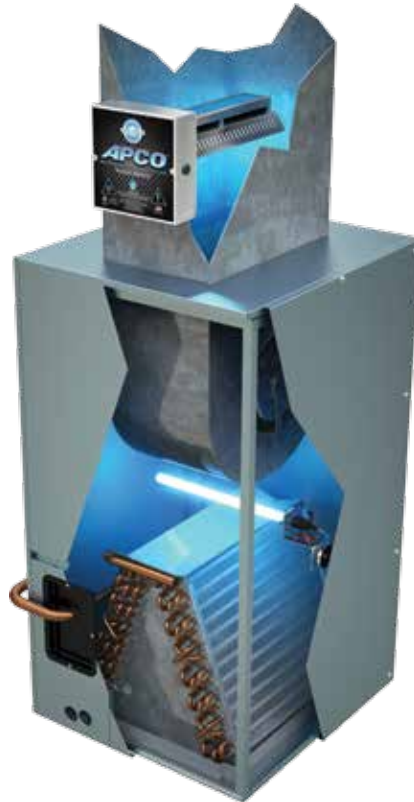
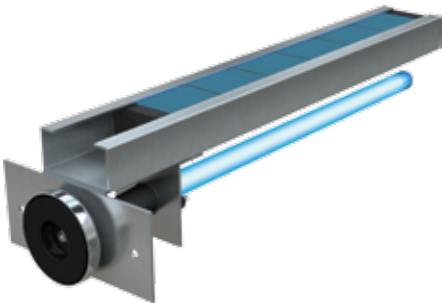
**APCO<sup>®</sup>**



**APCO<sup>®</sup> RT**



**APCO<sup>®</sup> MAG**



APCO<sup>®</sup> Dual  
 Installed in Air Handler



APCO<sup>®</sup> RT  
 Installed in Furnace



APCO<sup>®</sup> Mag  
 Installed in Package Unit



Manufactured by Triatomic Environmental, Inc.

**WWW.FRESHAIREUV.COM**

sales@freshaireuv.com



Made in USA