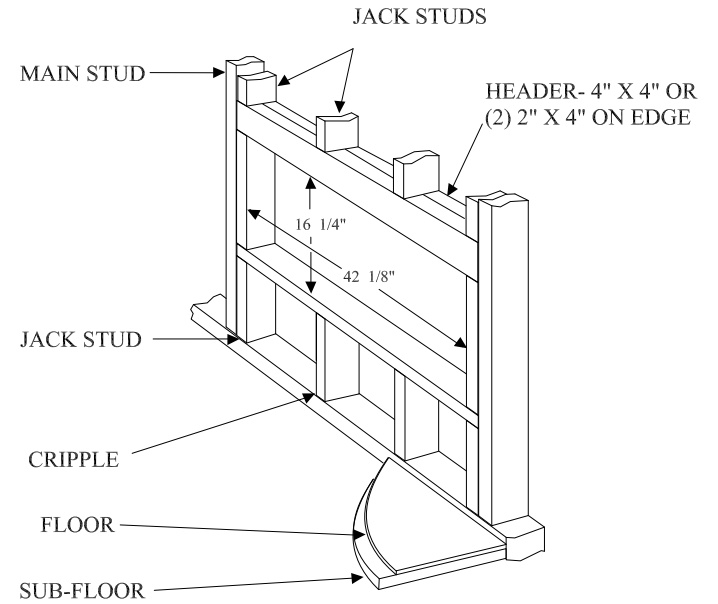
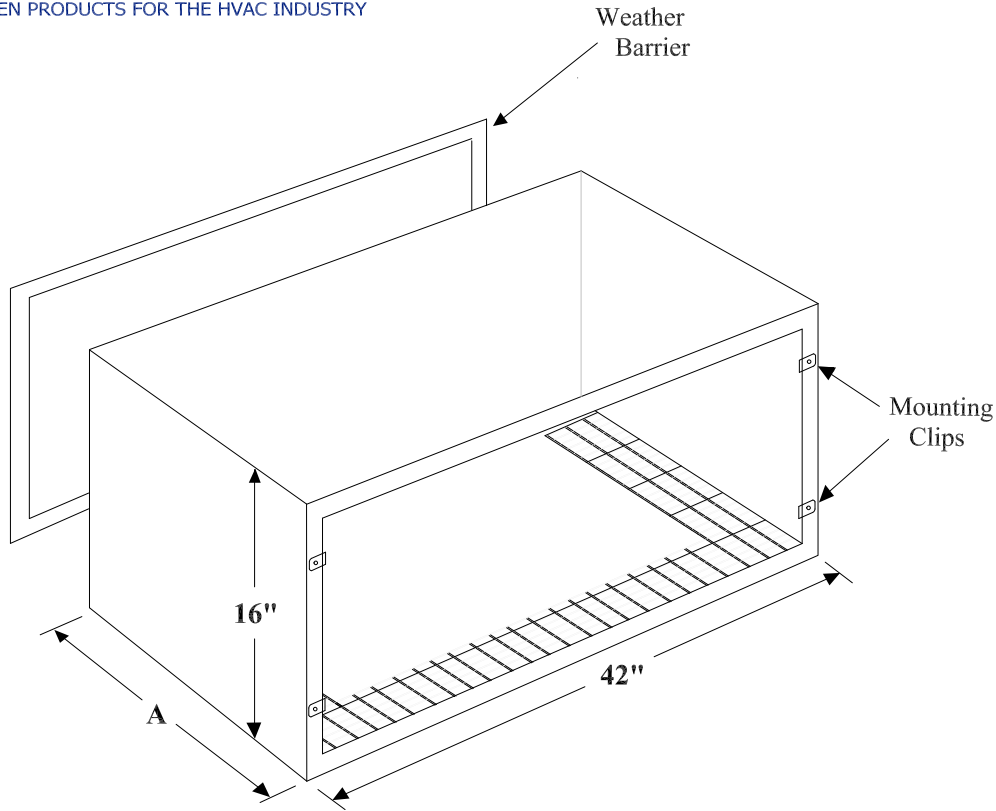




PROVEN PRODUCTS FOR THE HVAC INDUSTRY



Framing and Minimum Wall Sleeve Opening

DEPTH A	INSULATED / NON-INSULATED	REF. CATALOG NUMBER
14-7/8"	NON-INSULATED	WALL-SLEEVE-1PK
14-7/8"	INSULATED	SLEEVE-INSUL-1PK

TITLE

**POLYMER WALL SLEEVE CERTIFIED DRAWING**

DRAWING RELEASE LEVEL:		First America Products, LLC		
THIRD ANGLE PROJECTION	UNLESS OTHERWISE SPECIFIED DIMENSIONS ARE IN MILLIMETERS TOLERANCES ON:		THIS DOCUMENT AND THE INFORMATION CONTAINED THEREIN IS PROPRIETARY TO FIRST AMERICA PRODUCTS, LLC AND SHALL NOT BE USED OR DISCLOSED TO OTHERS, IN WHOLE OR IN PART, WITHOUT THE WRITTEN AUTHORIZATION OF FIRST AMERICA PRODUCTS, LLC.	
MATERIAL	0_DEC	1_DEC		2_DEC
	±1.0	±0.8	±0.25	±1.0°
WEIGHT:	ENGINEERING	MANUFACTURING		
SURFACE FINISH	DRAFTER	CHECKER		
	MODEL (INTERNAL USE ONLY)		SHEET 1 OF 1	
	NEXT DRAWING	SCALE	DISTRIBUTION	

TITLE DIMENSIONAL DRAWING  
POLYMER WALL SLEEVES

SIZE DRAWING NUMBER REV