

FlexMount^{UV}

Ultra-Versatile UV-Aire™ In-Duct Purifiers

Protect Your Family and Safely Maintain Healthier Indoor Air!



FIELD CONTROLS
Improving Indoor Environments

UV-12FM

FlexMountUV™

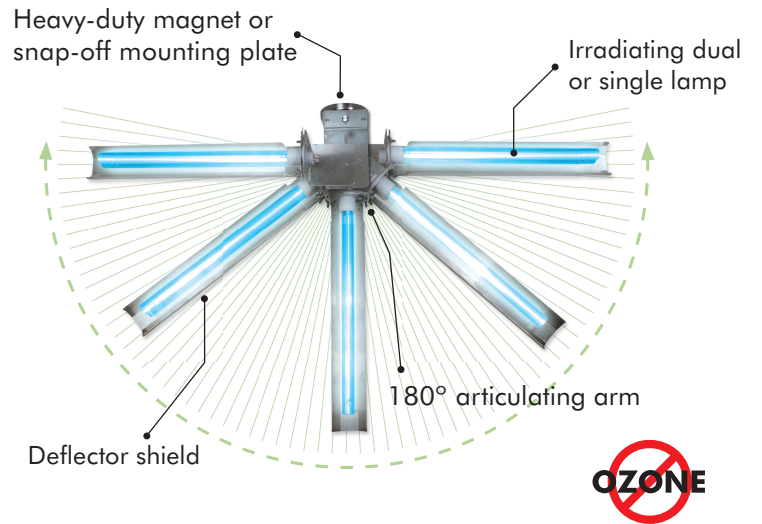
Versatile UV Protection



The FlexMountUV is designed for fast, flexible, easy installation into virtually any forced air ductwork to maximize HVAC operating effectiveness and significantly reduce germs, bacteria, and mold spores in the home.

The FlexMountUV is available in 12" and 14.5" single lamp models as well as 13" and 17" dual lamp models. The UVC germicidal lamp fixture is designed to easily adjust to any angle for optimum placement inside the AC-Coil box plenum. It comes with an adjustable deflector shield to focus the UV energy for maximum benefit.

Includes:
Lamps, Deflector Shield,
and Remote Ballast.



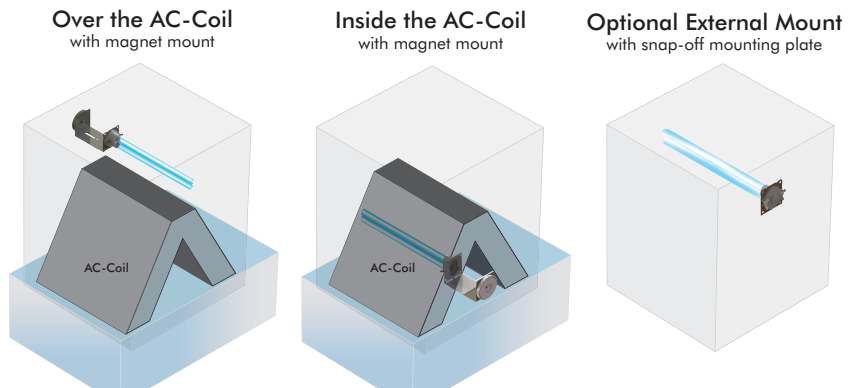
How It Works

The AC-Coil is a key component to a home's cooling system. The AC-Coil is enclosed in a dark wet environment and can become a breeding ground for fungi, mold, and other toxic organics. The FlexMountUV will irradiate UVC ultraviolet light onto the AC-Coil maintaining a clean environment significantly reducing toxic organics and bioaerosols in the home. The cooling system will operate more efficiently and save money by avoiding unwanted maintenance costs.

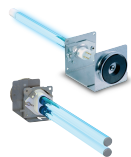
How It Mounts

FlexMountUV In-Duct Purifiers can be installed inside the AC-Coil box plenum, over the coil or below the coil with our secure mount heavy-duty magnet or the FlexMountUV lamp can be installed by inserting it into the AC-Coil plenum box with the snap-off zip screw mounting plate. The patented articulating arm allows for a full 180° rotation to target the UVC germicidal energy for precision AC-Coil irradiation.

Installation Options



UV-Aire® FlexMountUV™								
Model	Lamp Configuration	Lamp Length (Inches)	Voltage	Lamp Wattage	Lamp Intensity ($\mu\text{W}/\text{cm}^2@1\text{m}$)	Sizing (tons)	Lamp Life Efficiency	Transformer Required
UV-12FM	Single Lamp	11.9	24	15	43	1.5 to 3.0	2 year	20VA
UV-13FM	Twin Lamp	12.6	24	24	65	1.5 to 3.0	2 year	40VA
UV-14.5FM	Single Lamp	14.1	24	17	54	1.5 to 5.0	2 year	20VA
UV-17FM	Twin Lamp	16.3	24	36	110	1.5 to 5.0	2 year	50VA



FIELD CONTROLS
Improving Indoor Environments

FORM #4398

©2016 Field Controls Co. | 2630 Airport Road | Kinston, NC 28504 | P: 252.522.3031 | F: 252.522.0214 | contact@fieldcontrols.com

fieldcontrols.com

