

# STARKAP<sup>®</sup>

## AQUAHUT<sup>®</sup> WATER HEATER ENCLOSURES

This sheet covers the requirements for installing the Star-Kap on an Aquahut<sup>®</sup> gas water heater enclosure. The Aquahut<sup>®</sup> enclosure is designed for the purpose of housing a gas water heater outside of the living space of a structure. These requirements are based on the A.G.A. test reports C-FT-5-90, C-FT-8-90, FT-C-12-93, FT-C-13-93, FT-C-14-92 and the SBCCI letter dated May 24, 1990. The Aquahut<sup>®</sup> water heater enclosure is not sold or manufactured by the Field Controls Co. These installation instructions only address the installation of the Star-Kap, state the maximum capacity water heater allowed in an Aquahut<sup>®</sup> and the vent termination clearances from windows or openings into a building structure as tested in the A.G.A. field reports C-FT-5-90, C-FT-8-90, FT-C-12-93, FT-C-13-93, FT-C-14-92 and the SBCCI letter dated May 24, 1990.

### INSTALLATION GUIDELINES

1. The maximum gas water heater appliance to be operated in an Aquahut<sup>®</sup> enclosure: up to 90,000 BTU/HR input.
2. Two (2) make up/combustion air openings into the Aquahut<sup>®</sup> enclosure shall be installed. Each opening size shall be based on one (1) square inch per 4000 BTU/HR. The vent termination shall have the following clearance distances.
  - a. AH40 Model Aquahut<sup>®</sup> 14" from combustible exterior wall to center of vent cap
  - b. AH50 Model Aquahut<sup>®</sup> 16" from combustible exterior wall to center of vent cap
  - c. A minimum of 12" from any window or opening into the main building structure
  - d. A minimum of 18" below an eave or overhang

### STAR-KAP<sup>™</sup> INSTALLATION

1. Before installation, apply two (2) beads of high temperature silicone sealant or equivalent around the bottom of the storm collar and one (1) inch above the end of the Star-Kap body. (See Figure 1)
2. Insert the Star-Kap into the inside of the single wall vent pipe, making sure the Star-Kap is seated against the storm collar. Fasten the Star-Kap to the single wall vent pipe, by using three (3) sheet metal screws. Placement of the screws should be approximately 1/2" from the end of the single wall vent pipe. The heads of the screws should be covered with high temperature silicone or equivalent.

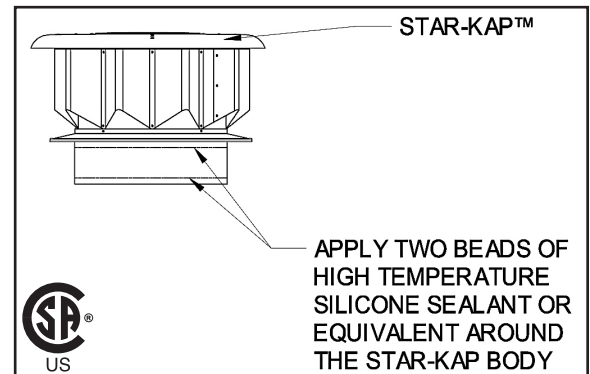


Figure 1

READ THESE INSTRUCTIONS CAREFULLY AND COMPLETELY BEFORE PROCEEDING WITH THE INSTALLATION.

This device **MUST** be installed by a qualified agency in accordance with the manufacturer's installation instructions. The definition of a qualified agency is: any individual, firm, corporation or company which either in person or through a representative is engaged in, and is responsible for, the installation and operation of HVAC appliances, who is experienced in such work, familiar with all the precautions required, and has complied with all the requirements of the authority having jurisdiction.

Please retain these instructions after installation.

Installed By: \_\_\_\_\_ Phone: \_\_\_\_\_ Installation Date: \_\_\_\_\_



**FIELD CONTROLS**

www.fieldcontrols.com

## WARRANTY

For warranty about this or any Field Controls product, visit:  
[www.fieldcontrols.com/warranty](http://www.fieldcontrols.com/warranty)



**FIELD CONTROLS**

Phone: 252.522.3031 • Fax: 252.522.0214  
[www.fieldcontrols.com](http://www.fieldcontrols.com)