



**FAMCO**

## ROUND WALL VENT

VENT THROUGH THE WALL FOR INTAKE OR EXHAUST  
APPLICATIONS – DWV \_\_ ,SWV \_\_ , SDWV \_\_



- Available with or without damper.
- Available with or without screen.
- Large hood will not restrict air.
- Sizes 3” to 14”.
- Galvanized, Aluminum, Painted or Copper.

SIZE	GALVANIZED			ALUMINUM			PAINTED (Brown, Black,White)		
	DAMPER	SCREEN	SCREEN & DAMPER	DAMPER	SCREEN	SCREEN & DAMPER	DAMPER	SCREEN	SCREEN & DAMPER
3	DWV3	SWV3	SDWV3	DWV3A	SWV3A	SDWV3A	DWV3P	SWV3P	SDWV3P
4	DWV4	SWV4	SDWV4	DWV4A	SWV4A	SDWV4A	DWV4P	SWV4P	SDWV4P
5	DWV5	SWV5	SDWV5	DWV5A	SWV5A	SDWV5A	DWV5P	SWV5P	SDWV5P
6	DWV6	SWV6	SDWV6	DWV6A	SWV6A	SDWV6A	DWV6P	SWV6P	SDWV6P
7	DWV7	SWV7	SDWV7	DWV7A	SWV7A	SDWV7A	DWV7P	SWV7P	SDWV7P
8	DWV8	SWV8	SDWV8	DWV8A	SWV8A	SDWV8A	DWV8P	SWV8P	SDWV8P
10	DWV10	SWV10	SDWV10	DWV10A	SWV10A	SDWV10A	DWV10P	SWV10P	SDWV10P
12	DWV12	SWV12	SDWV12	DWV12A	SWV12A	SDWV12A	DWV12P	SWV12P	SDWV12P
14	DWV14	SWV14	SDWV14	DWV14A	SWV14A	SDWV14A	DWV14P	SWV14P	SDWV14P



**FRESH AIR MANUFACTURING CO.**  
*Technologies in Ventilation*

649 N. Ralstin St., Meridian, ID 83642 \* (208)884-8931 \* (800)-234-1903 \* FAX: (208)884-8943

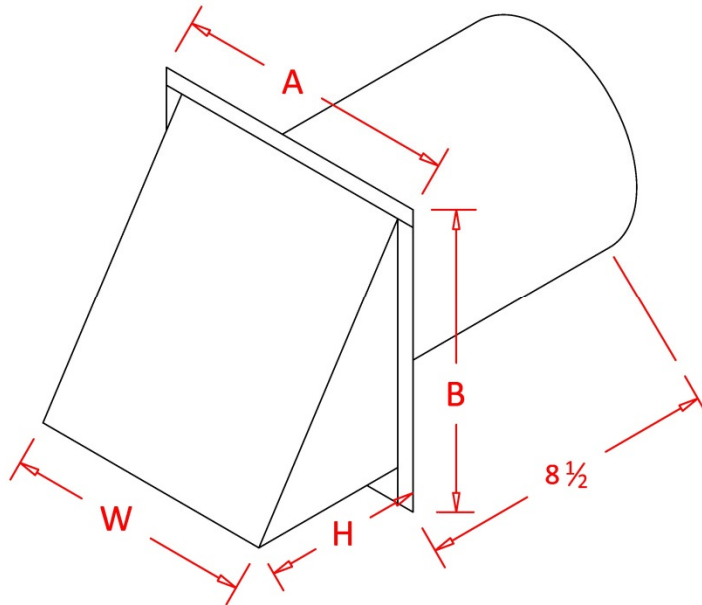


**FAMCO**

## ROUND WALL VENT

VENT THROUGH THE WALL FOR INTAKE OR EXHAUST

APPLICATIONS – DWV \_\_ , SWV \_\_ , SDWV \_\_



SIZE	A	B	W	H
3	6	6 ½	5	3 ¼
4	6	6 ½	5	3 ¼
5	7	7 ½	6	3 ¼
6	8	8 ½	7	4 ½
7	9	9 ½	8	5
8	10	10 ½	9	5 ¾
10	13	13 ½	12	6 ¾
12	15	15 ½	14	8
14	17	17 ½	16	9 ¾

- Available with or without damper.
- Available with or without screen.
- Large hood will not restrict air.
- Sizes 3" to 14".
- Galvanized, Aluminum, Painted or Copper.



**FRESH AIR MANUFACTURING CO.**  
Technologies in Ventilation

649 N. Ralstin St., Meridian, ID 83642 \* (208)884-8931 \* (800)-234-1903 \* FAX: (208)884-8943