

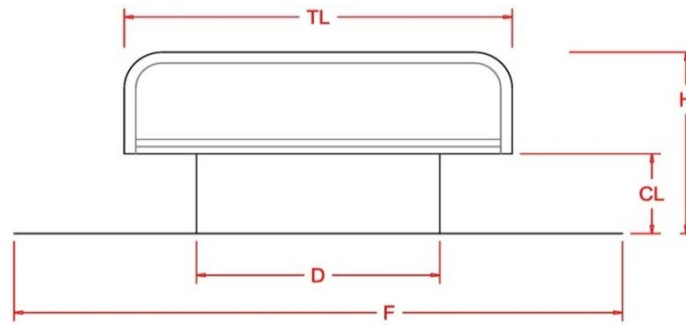
# ROOF VENTS, J-VENTS



## J-VENTS REGULAR – JV\_\_



- 28 or 26 Gauge G90 Galvanized steel.
- 1/8 screen installed
- For larger flanges see **JV\_SB**
- For flat roof or more clearance see **JV\_CL**



ROOF VENTS -- J-VENT REGULAR 3" - 14"							
ITEM #	D	F	CL	H	TW	TL	FREE AREA
JV3	3	9X9	1 ¼	3 ⅛	3	5	7.06
JV4	4	9X9	1 ¾	3 ½	4	6 ⅜	12.56
JV5	5	12X12	1 ¾	4 ⅑ <sub>16</sub>	5	8	19.63
JV6	6	12X15	1 ¾	4 ⅞	6	9 ½	28.27
JV7	7	12X15	1 ¾	4 13 <sub>16</sub>	7	11	38.48
JV8	8	15X15	1 ¾	5 5 <sub>16</sub>	8	12 5 <sub>8</sub>	50.26
JV9	9	15X18	1 ¾	5 9 <sub>16</sub>	9	14 3 <sub>16</sub>	63.61
JV10	10	16X20	2	6 5 <sub>16</sub>	10	15 ¾	78.53
JV12	12	20X24	2 ½	7	12	18 7 <sub>8</sub>	113.09
JV14	14	22X24	3	7	17	18 ½	153.93



**FRESH AIR MANUFACTURING CO.**  
Technologies in Ventilation

649 N. Ralstin St., Meridian, ID 83642 \* (208)884-8931 \* (800)-234-1903 \* FAX: (208)884-8943

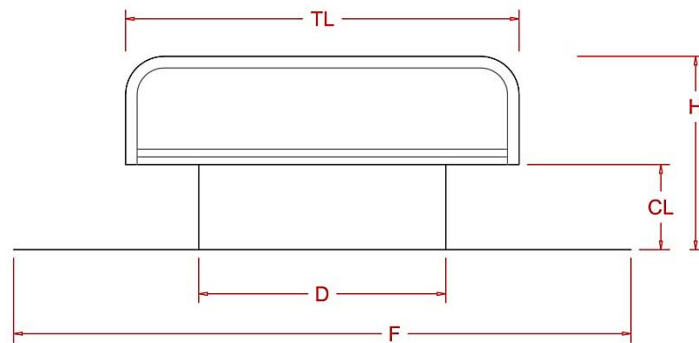
# ROOF VENTS, J-VENTS



## J-VENTS SHAKE BASE – JV\_\_SB



- 28 or 26 Gauge G90 Galvanized steel.
- 1/8" screen installed
- Larger flanges and higher clearance than our regular size.



ROOF VENTS -- J-VENT SHAKE BASE 3" - 14"							
ITEM #	D	F	CL	H	TW	TL	FREE AREA
JV3SB	3	10X10	2 ½	3 ⅞	3	5	7.06
JV4SB	4	15X15	2 ½	4 ¼	4	6 ⅜	12.56
JV5SB	5	16X16	2 ½	5 ⅙	5	8	19.63
JV6SB	6	18X18	2 ½	5 ⅝	6	9 ½	28.27
JV7SB	7	18X18	2 ½	5 ⅑	7	11	38.48
JV8SB	8	18X18	2 ½	6 ⅙	8	12 ⅝	50.26
JV9SB	9	18X18	2 ½	6 ⅕	9	14 ⅜	63.61
JV10SB	10	22X22	2 ¾	7 ⅕	10	15 ¾	78.53
JV12SB	12	24X24	3 ¼	7 ¾	12	18 ⅞	113.09
JV14SB	14	26X26	3 ¾	7 ¾	17	18 ½	153.93



**FRESH AIR MANUFACTURING CO.**  
Technologies in Ventilation

649 N. Ralstin St., Meridian, ID 83642 \* (208)884-8931 \* (800)-234-1903 \* FAX: (208)884-8943

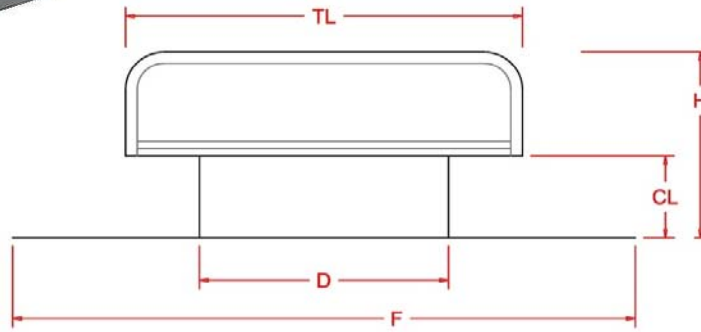
# ROOF VENTS, J-VENTS



## J-VENTS CLEARANCE - JV\_\_CL



- 28 or 26 Gauge G90 Galvanized steel.
- 1/8 screen installed.
- More clearance for flat and tile roofs.
- For pitched roofs see JV\_



ROOF VENTS		-- J-VENT 6" CLEARANCE		3" - 14"			
ITEM #	D	F	CL	H	TW	TL	FREE AREA
JV3CL	3	9X9	6	7 <sup>7</sup> / <sub>8</sub>	3	5	7.06
JV4CL	4	9X9	6	8 <sup>1</sup> / <sub>4</sub>	4	6 <sup>3</sup> / <sub>8</sub>	12.56
JV5CL	5	12X12	6	9 <sup>5</sup> / <sub>16</sub>	5	8	19.63
JV6CL	6	12X15	6	9 <sup>5</sup> / <sub>8</sub>	6	9 <sup>1</sup> / <sub>2</sub>	28.27
JV7CL	7	12X15	6	9 <sup>9</sup> / <sub>16</sub>	7	11	38.48
JV8CL	8	15X15	6	10 <sup>1</sup> / <sub>16</sub>	8	12 <sup>5</sup> / <sub>8</sub>	50.26
JV9CL	9	15X18	6	10 <sup>5</sup> / <sub>16</sub>	9	14 <sup>3</sup> / <sub>16</sub>	63.61
JV10CL	10	16X20	6	10 <sup>9</sup> / <sub>16</sub>	10	15 <sup>3</sup> / <sub>4</sub>	78.53
JV12CL	12	20X24	6	10 <sup>1</sup> / <sub>2</sub>	12	18 <sup>7</sup> / <sub>8</sub>	113.09
JV14CL	14	22X24	6	10	17	18 <sup>1</sup> / <sub>2</sub>	153.98



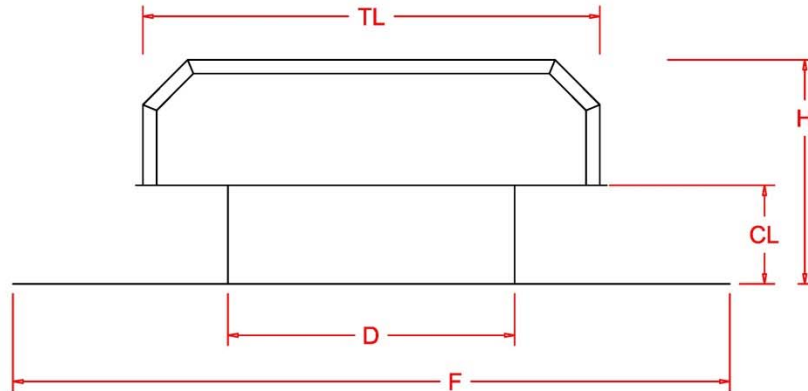
FRESH AIR MANUFACTURING CO.  
Technologies in Ventilation

649 N. Ralstin St., Meridian, ID 83642 \* (208)884-8931 \* (800)-234-1903 \* FAX: (208)884-8943

# ROOF VENTS, J-VENTS



## LARGE SIZES - 16" to 24"



ROOF VENTS -- J-VENT REGULAR 16" - 24"							
ITEM #	D	F	CL	H	TW	TL	FREE AREA
JV16	16	28x28	4	10 ½	19 ½	20 ½	201.06
JV18	18	30x30	4	11 ¼	23	23	254.46
JV20	20	32x32	4	11 ⅞	25 ½	25 ½	314.15
JV22	22	34x34	5	14	27 ¾	27 ¾	380.13
JV24	24	36x36	5 ¾	14 ¾	30	31	452.38

- 24 Gauge G90 galvanized steel.
- 16 Gauge legs.
- 1/8" screen installed.



FRESH AIR MANUFACTURING CO.  
Technologies in Ventilation

649 N. Ralstin St., Meridian, ID 83642 \* (208)884-8931 \* (800)-234-1903 \* FAX: (208)884-8943