

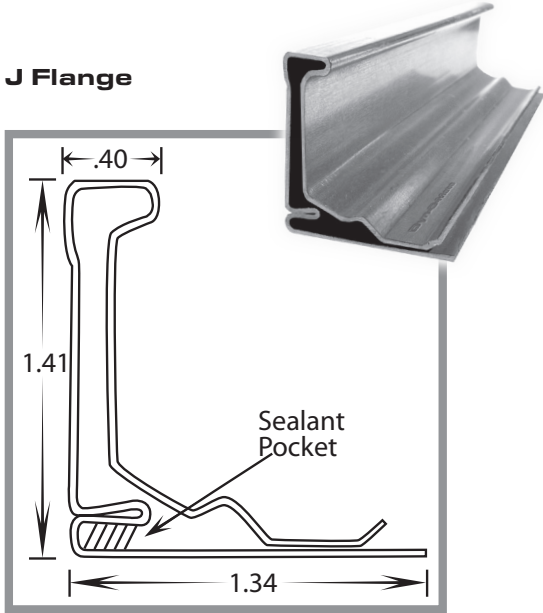
**SUBMITTAL RECORD**

JOB \_\_\_\_\_  
 LOCATION \_\_\_\_\_  
 SUBMITTED TO \_\_\_\_\_  
 SUBMITTAL PREPARED BY \_\_\_\_\_  
 APPROVED BY \_\_\_\_\_  
 DATE \_\_\_\_\_



**Specification Form  
 FLANGE**

**J Flange**

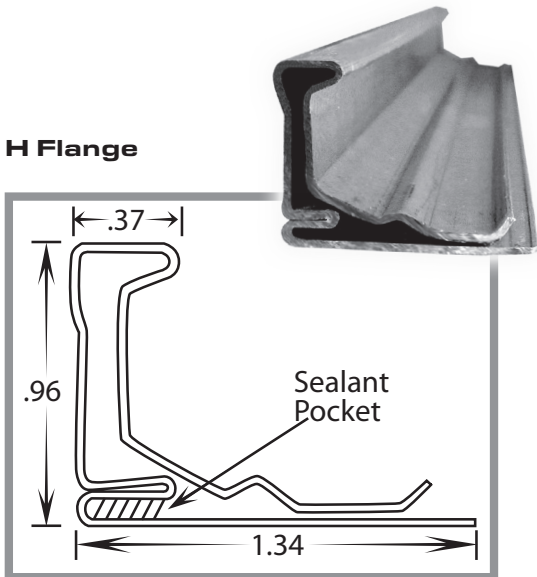


**DOMJ Flange**

- Designed to strengthen the duct wall and connect duct sections together.
- Furnished with an integrated sealant pocket for a secure air tight fit.
- Manufactured from 20-gauge steel in both 12ft. & 20ft. lengths.
- DOMJ is designed for large commercial and high-pressure applications.
- Bundles of 20ft. lengths available only with a Full Truckload order

Item #	Code	Description
21230	DOMJ20	J Flange -20ft.
21236	DOMJ20SS	Stainless Steel J Flange -20ft.
21238	DOMJ20AL	Aluminum J Flange -20ft.
21234	DOMJ12	J Flange-12ft.

**H Flange**



**DOMH Flange**

- Designed to strengthen the duct wall and connect duct sections together.
- Furnished with an integrated sealant pocket for a secure air tight fit.
- Manufactured from 22-gauge steel in both 12ft. & 20ft. lengths.
- DOMH is designed for low to medium pressure or residential applications.
- Bundles of 20ft. lengths available only with a Full Truckload.

Item #	Code	Description
21231	DOMH20	H Flange-20ft.
21235	DOMH12	H Flange -12ft.

