

SUBMITTAL RECORD

JOB _____
 LOCATION _____
 SUBMITTED TO _____
 SUBMITTAL PREPARED BY _____
 APPROVED BY _____
 DATE _____

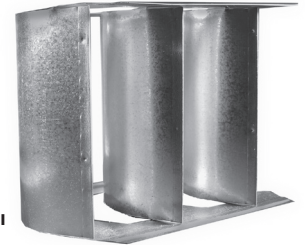


**Submittal Form
 VANE AND RAIL**

- Hollow Turning Vane and Vane Rail are designed to redirect the air through elbows and tees in the ductwork without significant loss of air pressure. Assembled Vane & Rail minimizes turbulence in the ductwork.
- Duro Rail has self aligning tabs for easy vane installation.
- 2in. Turning Vane are manufactured from 26-gauge galvanized steel.
- 4in. Turning Vane are manufactured from 24-gauge galvanized steel.
- 2in. and 4in. Vane Rail are manufactured from 24 or 22-gauge galvanized steel.
- All Rail described on this page is a Duro Dyne version of Runner Type 1 as described in Smacna (see drawing below).



2" Vane & Rail



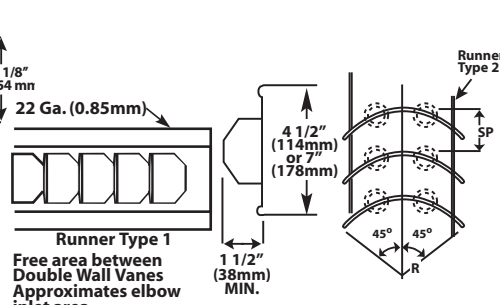
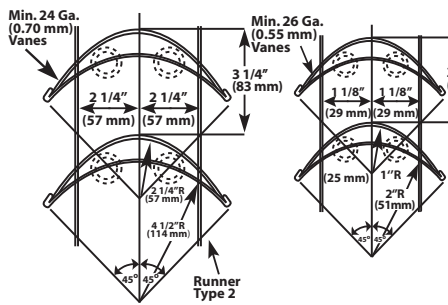
4" Vane & Rail

Hollow Turning Vane

Item #	Code	Description	Packaging	Weight (lbs.)	Master Skid Qty.
13203	HTV2-2610	26ga. 2in. Turning Vane 10ft.	5-10ft. pcs./Bundle	24	7200ft.
13220	HTV2-10AL	Alum. 2in. Turning Vane 10ft.	5-10ft. pcs./Bundle	13	7200ft.
13224	HTV2-10SS	Stainless 2in. Turning Vane 10ft.	5-10ft. pcs./Bundle	26	7200ft.
13207	HTV4-2410	24ga. 4in. Turning Vane 10ft.	5-10ft. pcs./Bundle	55	2500ft.
13222	HTV4-10AL	Alum. 4in. Turning Vane 10ft.	5-10ft. pcs./Bundle	33	2500ft.
13226	HTV4-10SS	Stainless 4in. Turning Vane 10ft.	5-10ft. pcs./Bundle	58	2500ft.

Vane Rail

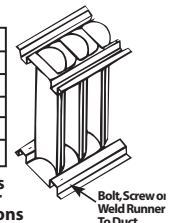
Item #	Code	Description	Packaging	Weight (lbs.)	Master Skid Qty.
13300	DHVR2-	2in. Vane Rail 10ft.	10-10ft. pcs./Bundle	46	4000ft.
13221	HVR2-10AL	Alum. 2in. Vane Rail 10ft.	10-10ft. pcs./Bundle	18	6000ft.
13225	HVR2-10SS	Stainless 2in. Vane Rail 10ft.	10-10ft. pcs./Bundle	30	6000ft.
13302	DHVR4-	4in. Vane Rail 10ft.	10-10ft. pcs./Bundle	71	2000ft.
13223	HVR4-10AL	Alum. 4in. Vane Rail 10ft.	10-10ft. pcs./Bundle	36	2000ft.
13227	HVR4-10SS	Stainless 4in. Vane Rail 10ft.	10-10ft. pcs./Bundle	59	2000ft.



Single Vane Schedule			
	R	SP	GA
Small	2"	1 1/2"	24
	(51mm)	(38mm)	(0.70mm)
Large	4 1/2"	3 1/4"	22
	(114mm)	(83mm)	(0.85mm)

See notes on fig.2-4. Other runners may be used as appropriate. Other vane sizes, spacings or configurations are acceptable on designer approval.

As Described on page 2.5, Figure 2-3 of the SMACNA HVAC Duct Construction Standards, 2nd Ed., 1995.



Duro Dyne East Division, Bay Shore, NY
 Duro Dyne Midwest Division, Fairfield, OH
 Duro Dyne West Division, Santa Fe Springs, CA
 Duro Dyne Canada, Lachine, Quebec, Canada

631-249-9000 Fax: 631-249-8346
 513-870-6000 Fax: 513-870-6005
 562-926-1774 Fax: 562-926-5778
 514-422-9760 Fax: 514-636-0328

www.durodyne.com E-mail: durodyne@durodyne.com



©2013 Duro Dyne Corporation
 Printed in USA 6/13