

**SUBMITTAL RECORD**

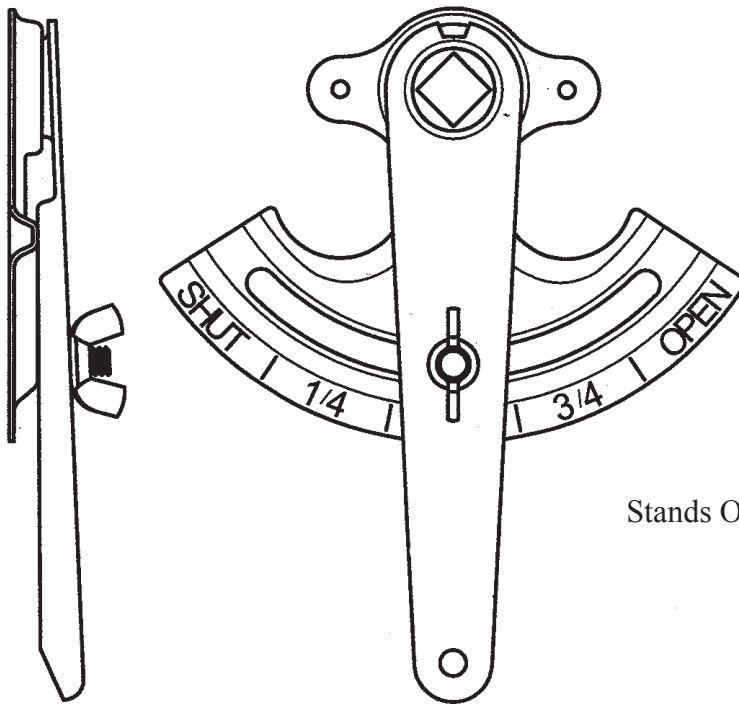
JOB \_\_\_\_\_  
 LOCATION \_\_\_\_\_  
 SUBMITTED TO \_\_\_\_\_  
 SUBMITTAL PREPARED BY \_\_\_\_\_  
 APPROVED BY \_\_\_\_\_  
 DATE \_\_\_\_\_



**Submittal Form  
 KS - Quadline 3/8"  
 Quadrant Sets**

**3/8" QUADRANT SETS (FOR DAMPERS UP TO 20")**

These heavy gauge plated steel quadrants are designed with excellent handle action, as well as quick wing nut adjustment and locking of the damper. The frame is marked to show the exact position of the damper. For use on square or round ducts.



Stands Off Duct 1-1/8"

3/8" QUADRANT SETS			
ITEM#/BULK#	CODE/BULK CODE	SET CONSISTS OF:	QTY / BULK QTY
8050 / 7385	KS38 / <b>KS38B</b>	K-4 quadrant; KP-9R round end bearing; KP-9S square end bearing	1 Set Per Ctn / <b>100 Sets Per Ctn</b>
8051	KS385	K-4 quadrant; KP-7 spring loc bearing; KP-9S long square end bearing	1 Set Per Ctn
8049	KS385L	K-4 quadrant; KP-7L long spring loc bearing; KP-9L long square end bearing	1 Set Per Ctn
8059 / 7389	K4 / <b>K4B</b>	3/8" quadrant only	100 Per Ctn / <b>200 Per Ctn</b>

Duro Dyne East Division, Bay Shore, NY  
 Duro Dyne Midwest Division, Fairfield, OH  
 Duro Dyne West Division, Fontana, CA  
 Duro Dyne Canada, Lachine, Quebec, Canada

631-249-9000 Fax: 631-249-8346  
 513-870-6000 Fax: 513-870-6005  
 562-926-1774 Fax: 562-926-5778  
 514-422-9760 Fax: 514-636-0328

www.durodyne.com E-mail: durodyne@durodyne.com



©2014 Duro Dyne Corporation  
 Printed in USA 4/14  
 BO008428