

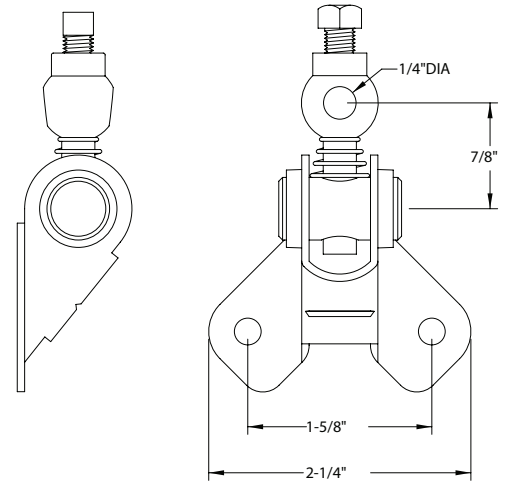
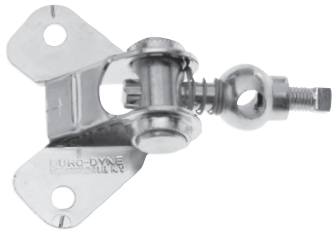
**SUBMITTAL RECORD**

JOB \_\_\_\_\_  
 LOCATION \_\_\_\_\_  
 SUBMITTED TO \_\_\_\_\_  
 SUBMITTAL PREPARED BY \_\_\_\_\_  
 APPROVED BY \_\_\_\_\_  
 DATE \_\_\_\_\_



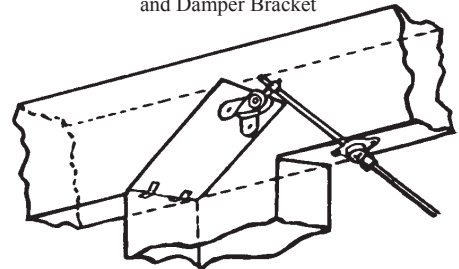
**Submittal Form**  
**SPECLINE®**  
**SRP - SPLITTER DAMPER**  
**& BALL JOINT CASTING**

**SPLITTER DAMPER BRACKET HARDWARE**



SPLITTER DAMPER BRACKET			
ITEM#/BULK#	CODE/BULK CODE	SHAFT SIZE	QTY/BULK QTY
8034 / 8375	SRP40 / SRP40B	1/4"	25 Per Ctn/500 Per Ctn
8035 / 8349	SRP50 / SRP50B	5/16"	25 Per Ctn/500 Per Ctn

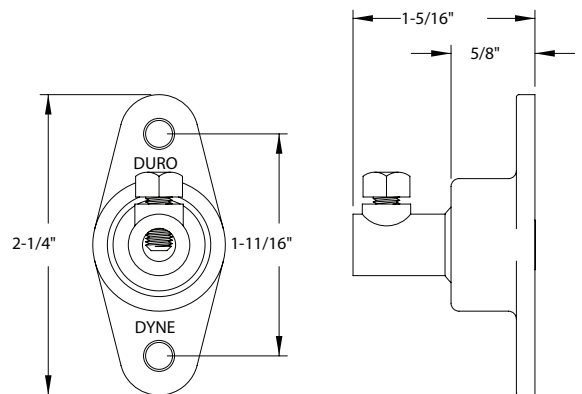
Typical Application Using Ball Joint and Damper Bracket



**BALL JOINT CASTING**



Cast Alloy



BALL JOINT DAMPER CASTINGS			
ITEM#/BULK#	CODE/BULK CODE	SHAFT SIZE	QTY/BULK QTY
8032 / 8141	SRP14 / SRP14B	1/4"	25 Per Ctn / 500 Per Ctn
8033	SRP516	5/16"	25 Per Ctn

Duro Dyne East Division, Bay Shore, NY  
 Duro Dyne Midwest Division, Fairfield, OH  
 Duro Dyne West Division, Fontana, CA  
 Duro Dyne Canada, Lachine, Quebec, Canada

631-249-9000 Fax: 631-249-8346  
 513-870-6000 Fax: 513-870-6005  
 562-926-1774 Fax: 562-926-5778  
 514-422-9760 Fax: 514-636-0328

www.durodyne.com E-mail: durodyne@durodyne.com



©2014 Duro Dyne Corporation  
 Printed in USA 7/14  
 BO008419