



4" Duct (Standard):

80 CFM/1.3 Sones @ 0.1" SP, 10 Watts
68 CFM/1.4 Sones @ 0.25" SP, 11 Watts



Description

Low noise ceiling/wall mount ventilating fan for continuous running. Fan has been awarded ENERGY STAR®. It is HVI, UL, and cUL certified, and can be used to comply with ASHRAE 62.2 (local and whole building continuous and intermittent operation).

DC Motor/Blower

- Power rating of 120 volts/60Hz
- DC brushless motor engineered to run continuously
- Motor equipped with thermal cutoff fuse
- Removable with permanently lubricated plug-in motor
- Built-in soft start function to increase bearings' life
- Automatically powers off when impeller is locked abnormally

Housing

- Galvanized steel body
- Detachable 4" diameter plastic duct adapter
- Built-in backdraft damper
- Easy installation

Grille

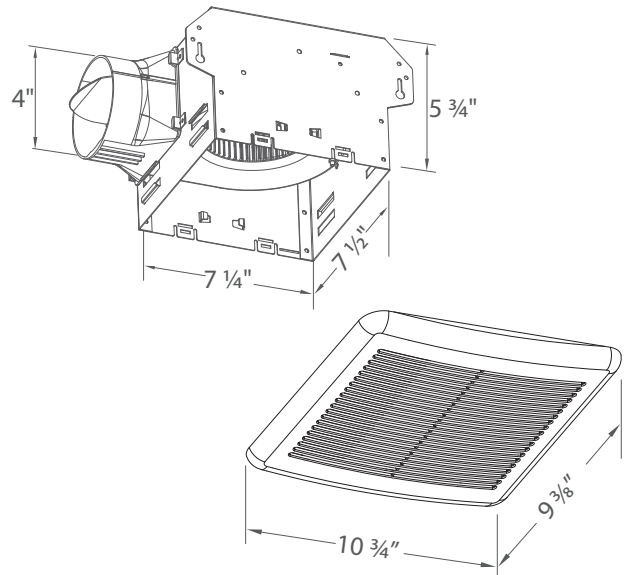
- Attractive design using ABS material
- Attaches directly to housing with torsion springs

Warranty

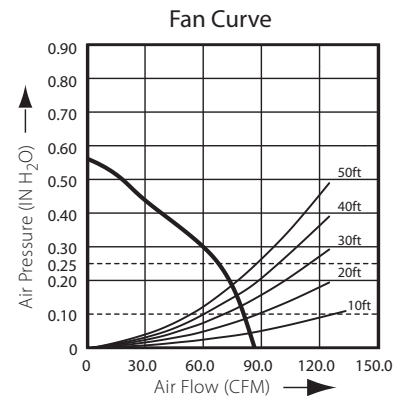
- 3-year limited warranty

TYPICAL SPECIFICATION

Ventilation fan shall be Delta Breez model ITG80; ENERGY STAR qualified with DC brushless motor engineered to run continuously for a minimum 70,000 hours; airflow rating of 80 CFM and loudness rating of 1.3 Sones at 0.1 static pressure as certified by the Home Ventilating Institute (HVI); power consumption of 10 Watts with efficiency rating of 8.5 CFM/Watt. UL and cUL listed for tub/shower enclosure when used with GFCI-protected branch circuit wiring.



BreezIntegrity ITG80	4" Duct (Standard)	
Static Pressure (inches w.g.)	0.1	0.25
Air Flow (CFM)	80	60
Sones	1.3	1.4
Power Consumption (Watts)	10	11
Energy Efficiency (CFM/Watt)	8.4	6.6
Current (Amps)	0.20 Max	
Power Rating (V/Hz)	120 / 60	



Model	Quantity	Comments	Project:
			Location:
			Architect:
			Engineer:
			Contractor:
			Submitted by:
			Date: