



Submittal Data Sheet

2.5-Ton Ceiling Suspended Cooling
Only FHQ30PVJURZR30TAVJU

FEATURES

- Auto-swing capability with 100° airflow pattern
- Innovative stream fan technology
- 10 year limited parts and compressor warranty

BENEFITS

- Lateral servicing space allows installation in corners, narrow space, walls, and ceilings

INDOOR UNIT



OUTDOOR UNIT





Submittal Data Sheet

2.5-Ton Ceiling Suspended Cooling Only
FHQ30PVJURZR30TAVJU

SYSTEM PERFORMANCE

| | | | |
|------------------------------------|------------|-------------------------------|---|
| Indoor Unit Model No. | FHQ30PVJU | Indoor Unit Name: | Sky-Air Ceiling Suspended |
| Outdoor Unit Model No. | RZR30TAVJU | Outdoor Unit Name: | Sky-Air 2.5 Ton Cooling Only ODU |
| Rated Cooling Capacity (Btu/hr): | 30,000 | Rated Cooling Conditions: | Indoor (°F DB/WB): 80 / 67 Ambient (°F DB/WB): 95 / 75 |
| Sensible Capacity (Btu/hr): | 21,100 | Rated Piping Length(ft): | 25 |
| Max/Min Cooling Capacity (Btu/hr): | / | Rated Height Difference (ft): | 0.00 |
| Cooling Input Power (kW): | 3.080 | Rated Heating Conditions: | Indoor (°F DB/WB): 70 / 60 Ambient (°F DB/WB): 47 / 43 |
| SEER (Non-Ducted/Ducted): | 16.00 / | | |
| EER (Non-Ducted/Ducted): | 10.50 / | | |

SYSTEM DETAILS

| | | | |
|--|--------|-----------------------------------|----------|
| Refrigerant Type: | R-410A | Cooling Operation Range (°F DB): | 23 - 122 |
| Holding Refrigerant Charge (lbs): | 7.9 | Heating Operation Range (°F WB): | - |
| Additional Charge (lb/ft): | 0.04 | Max. Pipe Length (Vertical) (ft): | 98 |
| Pre-charge Piping (Length) (ft): | 15 | Cooling Range w/Baffle (°F DB): | 0 - 122 |
| Max. Pipe Length (Total) (ft): | 230 | Heating Range w/Baffle (°F WB): | - |
| Max Height Separation (Ind to Ind ft): | 0 | | |



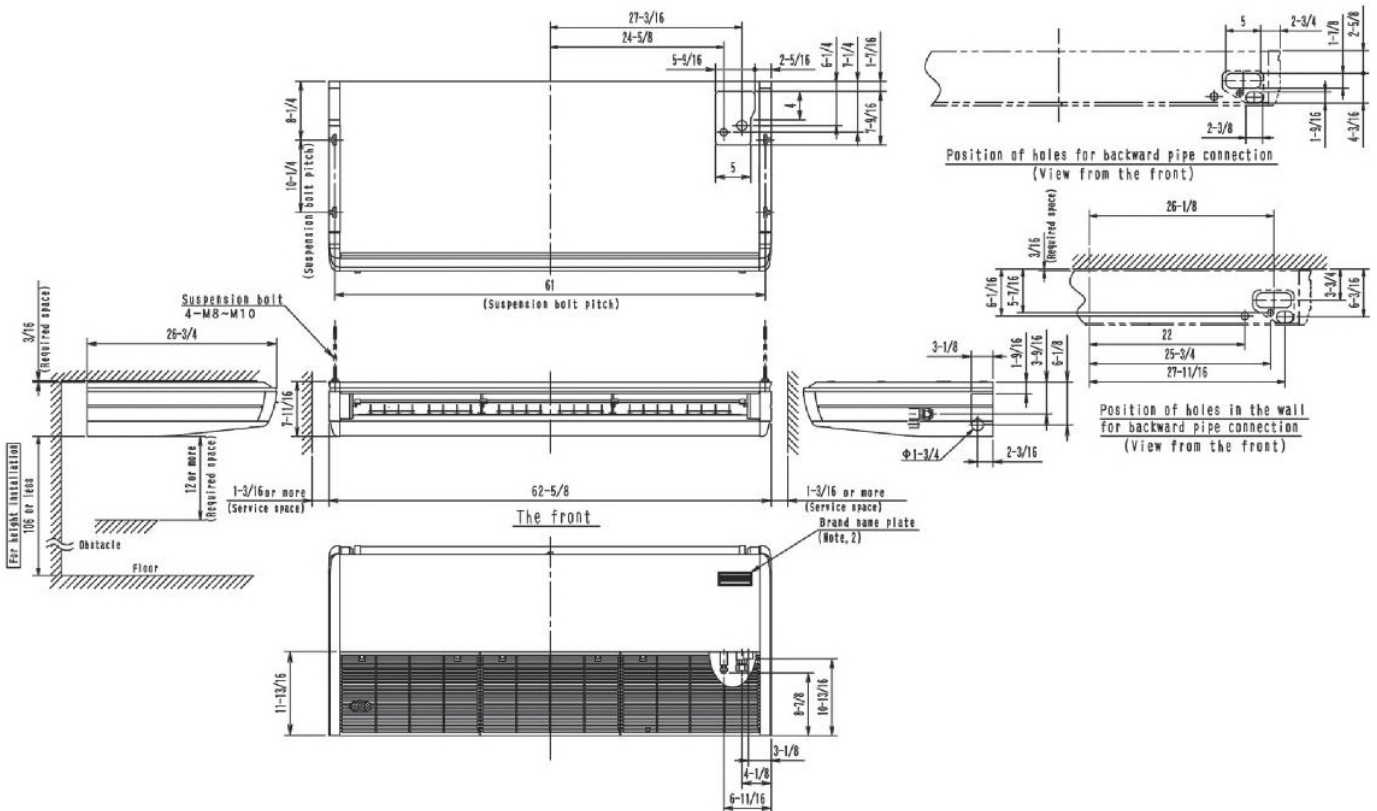
Submittal Data Sheet

2.5-Ton Ceiling Suspended Cooling Only
FHQ30PVJURZR30TAVJU

INDOOR UNIT DETAILS

| | | | |
|--|---------------------------|--------------------------------|---------|
| Power Supply (V/Hz/Ph): | 208-230 / 60 / 1 | Airflow Rate (H/L) (CFM): | 790/670 |
| Power Supply Connections: | L1, L2, Ground | Moisture Removal (Gal/hr): | |
| Min. Circuit Amps MCA (A): | 1.3 | Gas Pipe Connection (inch): | 5/8 |
| Max Overcurrent Protection (MOP) (A): | 15 | Liquid Pipe Connection (inch): | 3/8 |
| Dimensions (HxWxD) (in): | 7-11/16 x 62-5/8 x 26-3/4 | Condensate Connection (inch): | 1 |
| Net Weight (lb): | 90 | Sound Pressure (H) (dBA): | 45 |
| Ext. Static Pressure (Rated/Max) (inWg): | 0 / 0 | Sound Power Level (dBA): | |

FHQ18/24/30/36/42MVJU
Unit (in.)



Daikin North America LLC, 5151 San Felipe, Suite 500, Houston, TX, 77056

Daikin City Generated Submittal Data

www.daikinac.com www.daikincomfort.com

(Daikin's products are subject to continuous improvements. Daikin reserves the right to modify product design, specifications and information in this data sheet without notice and without incurring any obligations)

Submittal Date: 6/3/2019 10:21:46 AM

Page 3 of 4



Submittal Data Sheet

2.5-Ton Ceiling Suspended Cooling Only
FHQ30PVJURZR30TAVJU

OUTDOOR UNIT DETAILS

| | | | |
|---------------------------------------|-----------------------------|--------------------------------|----------|
| Power Supply (V/Hz/Ph): | 208-230 / 60 / 1 | Compressor Stage: | |
| Power Supply Connections: | L1, L2, Ground | Capacity Control Range (%): | 14 - 100 |
| Min. Circuit Amps MCA (A): | 29.1 | Airflow Rate (H) (CFM): | 3741 |
| Max Overcurrent Protection (MOP) (A): | 35 | Gas Pipe Connection (inch): | 5/8 |
| Max Starting Current MSC(A): | | Liquid Pipe Connection (inch): | 3/8 |
| Rated Load Amps RLA(A): | 19 | Sound Pressure (H) (dBA): | 57 |
| Dimensions (HxWxD) (in): | 52-15/16 x 35-7/16 x 12-5/8 | Sound Power Level (dBA): | |
| Net Weight (lb): | 225 | | |

