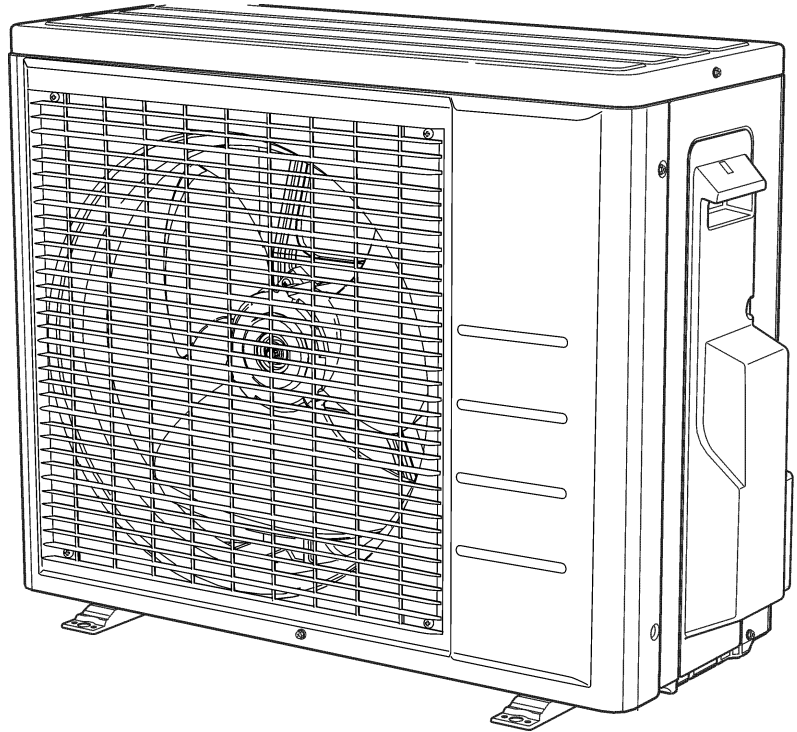


## Ductless Outdoor Heat Pump

RXL09QMVJU  
RXL12QMVJU  
RXL15QMVJU



This manual is to be used by qualified technicians only.

# Important Information

---

## Index

Functional Parts List .....	3
Illustration and Parts .....	4 - 9

*Views shown are for parts illustrations only, not servicing procedures*

### Text Codes:

AR - As Required

NA - Not Available

NS - Not Shown

00000000 - See Note

QTY - Quantity Example (QTY 3) (If Quantity not shown, Quantity = 1)

M - Model Example (M1) (If M Code not shown, then part is used on all Models)

### Expanded Model Nomenclature:

Example M1 - Model#1 M2 - Model#2 M3 - Model#3
---

Daikin Manufacturing Company, L.P. is not responsible for personal injury or property damage resulting from improper service. Review all service information before beginning repairs.

Warranty service must be performed by an authorized technician, using authorized factory parts. If service is required after the warranty expires, Daikin Manufacturing Company, L.P. also recommends contacting an authorized technician and using authorized factory parts.

Daikin Manufacturing Company, L.P. reserves the right to discontinue, or change at any time, specifications or designs without notice or without incurring obligations.

For assistance within the U.S.A. contact:

Consumer Affairs Department

Daikin North America, LLC

7401 Security Way

Houston, Texas 77040

855-770-5678-Telephone

713-863-2382-Facsimile

For assistance outside the U.S.A. contact:

International Division

Daikin North America, LLC

7401 Security Way

Houston, Texas 77040

713-861-2500-Telephone

713-863-2382-Facsimile

# Functional Parts

## Part

**No:**            **Description:**

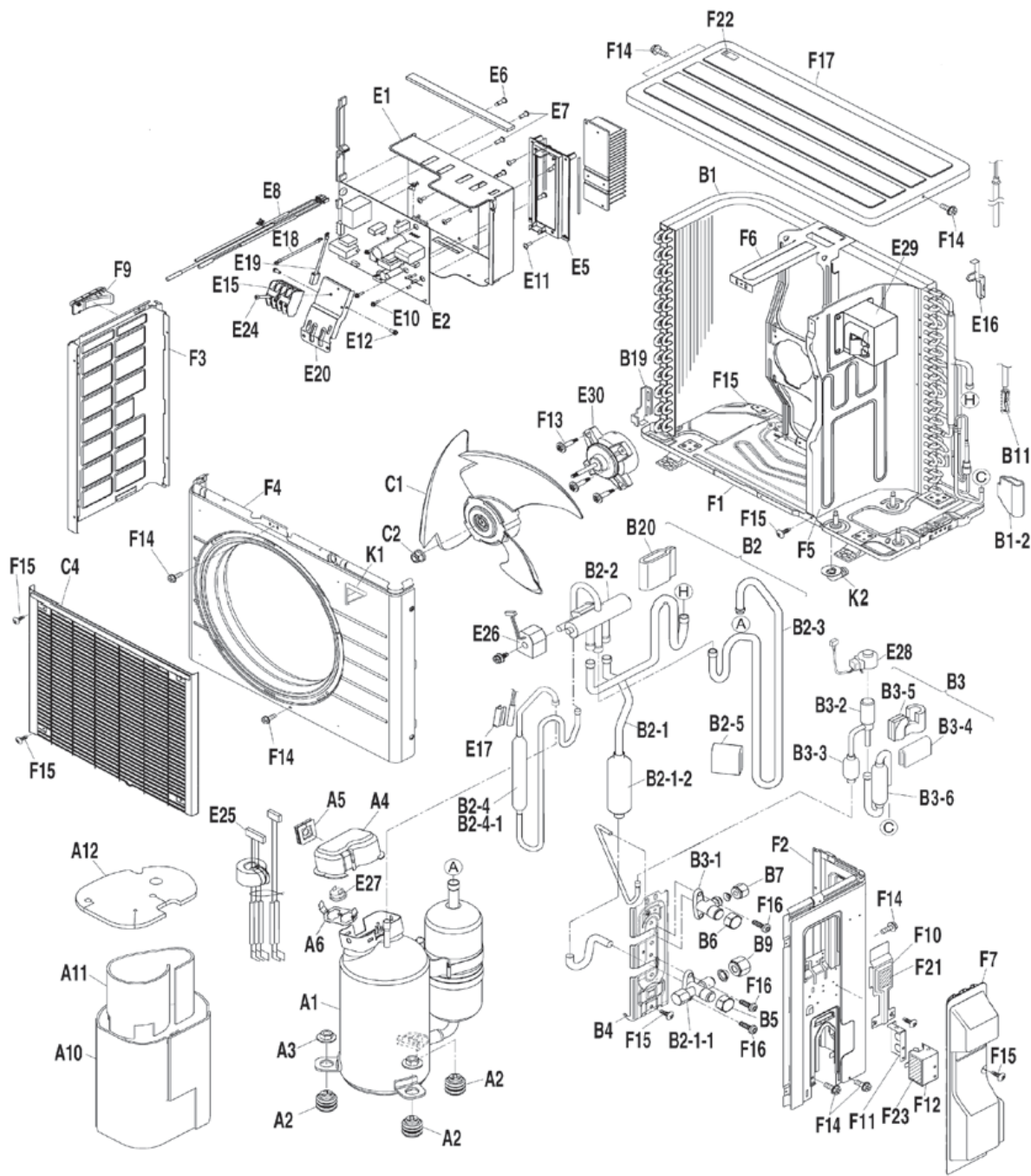
---

6024932	DC FAN MOTOR (M1, M2)
6024942	FAN MOTOR (M3)
153875J	FUSE (M3)
622423J	OVERLOAD PROTECTOR (M1, M2)
622418J	OVERLOAD PROTECTOR (M3)
6023975	REACTOR (M1)
6025111	THERMISTOR ASSY. (M3)
6023970	THERMISTOR ASSY. (M2)
6023970	THERMISTOR ASSY. (M1)

### Expanded Model Nomenclature

M1 - RXL09QMVJU
M2 - RXL12QMVJU
M3 - RXL15QMVJU

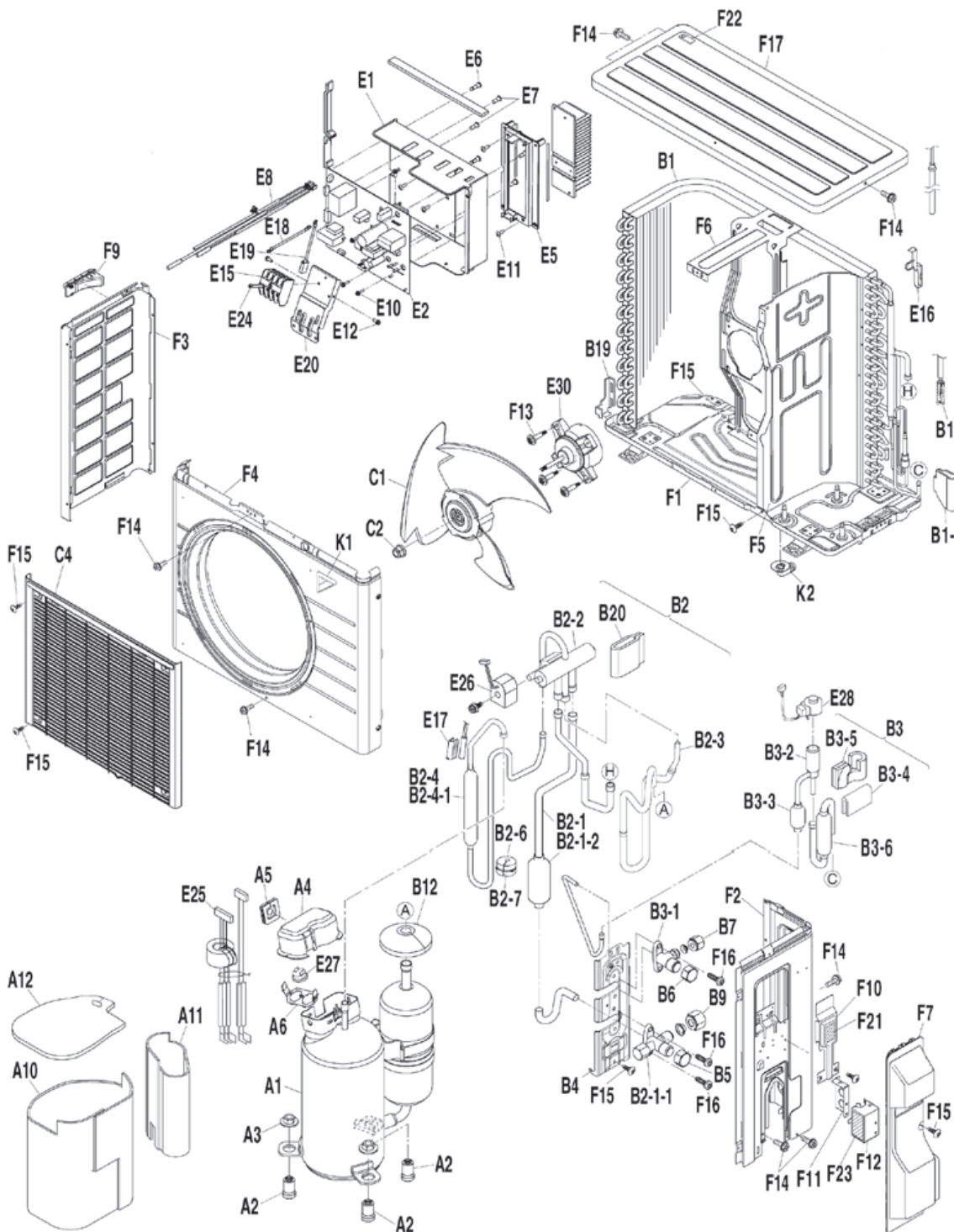
—TOP—



Ref #	Picture #
1	A1
2	A2
3	A3
4	A4
5	A5
6	A6
7	A10
8	A11
9	A12
10	B1
11	B1-2
12	B2
13	B2-1
14	B2-1-1
15	B2-1-2
16	B2-2
17	B2-3
18	B2-4
19	B2-4-1
20	B2-5
21	B3
22	B3-1
23	B3-2
24	B3-3
25	B3-4
26	B3-5
27	B3-6
28	B4
29	B5
30	B6
31	B7
32	B9
33	B11
34	B19
35	B20
36	C1
37	C2
38	C4
39	E1
40	E2
41	E5
42	E6
43	E7
44	E8
45	E10
46	E11
47	E12
48	E15
49	E16
50	E17
51	E18
52	E19
53	E20
54	E24
55	E25
56	E26
57	E27
58	E28
59	E29
60	E30
61	F1
62	F2
63	F3
64	F4
65	F5
66	F6
67	F7
68	F9
69	F10
70	F11
71	F12
72	F13
73	F14
74	F15
75	F16
76	F17
77	F21
78	F22
79	F23
80	K1
81	K2

Ref. Part No: No:	Description:	Ref. Part No: No:	Description:
<b>Image 1:</b>		<b>Image 1:</b>	
1	6024928 COMPRESSOR ASSY. (M1)	60	6024932 DC FAN MOTOR (M1)
2	091532J VIBRATION ISOLATOR (M1)	61	6024933 BOTTOM FRAME ASSY. (M1)
3	135859J FLANGE NUT (M1)	62	6023980 SIDE PLATE (RIGHT) (M1)
4	1727788 TERMINAL COVER (M1)	63	6023981 SIDE PLATE (LEFT) (M1)
5	040139J RUBBER BUSH/ LEAD WIRE (M1)	64	6024934 FRONT PLATE ASSY. (M1)
6	380620J RETAINER/ OVERLOAD PROTECTOR (M1)	65	7900045 PARTITION PLATE (M1)
7	6024344 SOUND INSULATION (OUTER SLEEVE) (M1)	66	6023988 FAN MOTOR STAND ASSY. (M1)
8	6024336 SOUND INSULATION (INNER SLEEVE) (M1)	67	6025116 COVER/ STOP VALVE (M1)
9	6024337 SOUND INSULATION (TOP) (M1)	68	6016076 HANDLE (LEFT) (M1)
10	6025764 PLATE FINNED COIL HEAT EXCH. ASSY. (M1)	69	6025117 PLATE/ RADIATION SHIELD (M1)
11	6025765 PUTTY (M1)	70	6025118 PLATE/ CONDUIT MOUNTING (M1)
12	NA FOUR WAY VALVE ASSY. (M1)	71	6025119 COVER (CONDUIT MOUNTING PLATE) (M1)
13	6024930 GAS STOP VALVE ASSY. (M1)	72	140380J WASHER FACED HEAD TAPPING SCREW (M1)
14	7900031 GAS STOP VALVE ASSY. (SUB) (M1)	73	109224J HEX. HEAD TAPPING SCREW (M1)
15	1406207 MUFFLER (M1)	74	008203J TRUSS HEAD TAPPING SCREW (M1)
16	1964138 BODY/ FOUR WAY VALVE (M1)	75	048017J PAN HEAD TAPPING SCREW (M1)
17	NA SUCTION PIPE (M1)	76	6025120 TOP PLATE ASSY. (M1)
18	7900033 DISCHARGE PIPE ASSY. (M1)	77	NA CAUTION LABEL (ELECTRIC SHOCK) (M1)
19	117029J MUFFLER (M1)	78	4011522 LABEL (M1)
20	6024338 PUTTY (M1)	79	NA CAUTION LABEL (BURN) (M1)
21	6025114 ELECTRONIC EXP. VALVE ASSY. (M1)	80	NA BRAND NAME LABEL (M1)
22	7900035 LIQUID STOP VALVE ASSY. (M1)	81	135886J DRAIN JOINT (M1)
23	1980882 BODY/ ELECTRONIC EXP. VALVE (M1)	<b>Expanded Model Nomenclature</b>	
24	138233J MUFFLER (M1)	M1 - RXL09QMVJU	
25	1851908 PUTTY (M1)	M2 - RXL12QMVJU	
26	138349J PUTTY (M1)	M3 - RXL15QMVJU	
27	237007J REFRIGERANT FILTER (M1)		
28	6023978 SET PLATE/ STOP VALVE (M1)		
29	2158703 VALVE CAP (M1)		
30	1753314 VALVE CAP (M1)		
31	1723546 FLARE NUT (M1)		
32	119848J FLARE NUT (M1)		
33	380120J FITTING SPRING/ THERMISTOR (M1)		
34	7900036 REAR PLATE/ CONDENSER (M1)		
35	1754285 PUTTY (M1)		
36	6023976 FAN ROTOR (M1)		
37	847002J FAN RETAINING NUT (M1)		
38	6024931 DISCHARGE GRILLE ASSY. (M1)		
39	6024339 SWITCH BOX (M1)		
40	6025776 PRINTED CIRCUIT ASSY. (CONTROL) (M1)		
41	6024340 MOUNTING PLATE (HEAT SINK) (M1)		
42	6024341 LOCKING CARD SPACER (M1)		
43	6024342 CARD SPACER (M1)		
44	6023970 THERMISTOR ASSY. (M1)		
45	125536J MACHINE SCREW WITH WASHER (M1)		
46	109688J TRUSS HEAD TAPPING SCREW (M1)		
47	113783J TAPPING SCREW (M1)		
48	156720J TERMINAL BLOCK (M1)		
49	128511J FIXTURE/ THERMISTOR (M1)		
50	1728781 FIXTURE/ THERMISTOR (M1)		
51	6024945 EARTH WIRE (M1)		
52	2051477 EARTH WIRE (M1)		
53	6024343 MOUNTING PLATE (TERMINAL PLATE) (M1)		
54	1839504 PAN HEAD TAPPING SCREW (M1)		
55	6023973 WIRE HARNESS (COMPRESSOR) (M1)		
56	6025134 COIL/ FOUR WAY VALVE ASSY. (M1)		
57	622423J OVERLOAD PROTECTOR (M1)		
58	2149367 COIL/ ELECTRONIC EXP. VALVE (M1)		
59	6023975 REACTOR (M1)		

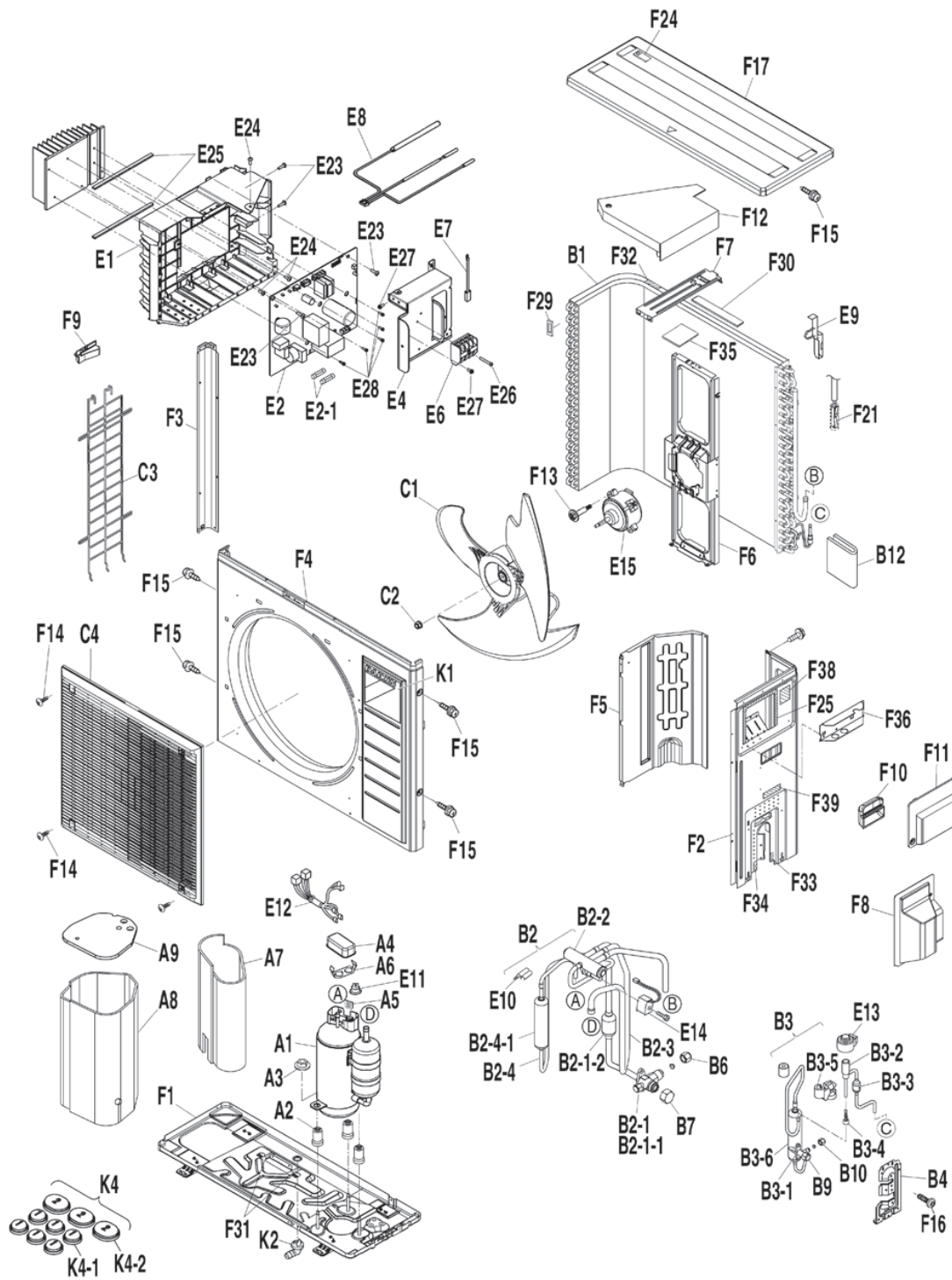
-TOP-



Ref #	Picture #
1	A1
2	A2
3	A3
4	A4
5	A5
6	A6
7	A10
8	A11
9	A12
10	B1
11	B1-2
12	B2
13	B2-1
14	B2-1-1
15	B2-1-2
16	B2-2
17	B2-3
18	B2-4
19	B2-4-1
20	B2-6
21	B2-7
22	B3
23	B3-1
24	B3-2
25	B3-3
26	B3-4
27	B3-5
28	B3-6
29	B4
30	B5
31	B6
32	B7
33	B9
34	B11
35	B12
36	B19
37	B20
38	C1
39	C2
40	C4
41	E1
42	E2
43	E5
44	E6
45	E7
46	E8
47	E10
48	E11
49	E12
50	E15
51	E16
52	E17
53	E18
54	E19
55	E20
56	E24
57	E25
58	E26
59	E27
60	E28
61	E30
62	F1
63	F2
64	F3
65	F4
66	F5
67	F6
68	F7
69	F9
70	F10
71	F11
72	F12
73	F13
74	F14
75	F15
76	F16
77	F17
78	F21
79	F22
80	F23
81	K1
82	K2

Ref. Part No: No:	Description:	Ref. Part No: No:	Description:
<b>Image 1:</b>		<b>Image 1:</b>	
1	6024936 COMPRESSOR ASSY. (M2)	60	2149367 COIL/ ELECTRONIC EXP. VALVE (M2)
2	128989J VIBRATION ISOLATOR (M2)	61	6024932 DC FAN MOTOR (M2)
3	135859J FLANGE NUT (M2)	62	6025771 BOTTOM FRAME ASSY. (M2)
4	1727788 TERMINAL COVER (M2)	63	6023980 SIDE PLATE (RIGHT) (M2)
5	040139J RUBBER BUSH/ LEAD WIRE (M2)	64	6023981 SIDE PLATE (LEFT) (M2)
6	380620J RETAINER/ OVERLOAD PROTECTOR (M2)	65	6024934 FRONT PLATE ASSY. (M2)
7	6025766 SOUND INSULATION (OUTER SLEEVE) (M2)	66	6025772 PARTITION PLATE (M2)
8	6025086 SOUND INSULATION (INNER SLEEVE) (M2)	67	6023988 FAN MOTOR STAND ASSY. (M2)
9	6025767 SOUND INSULATION (TOP) (M2)	68	6025116 COVER/ STOP VALVE (M2)
10	6025764 PLATE FINNED COIL HEAT EXCH. ASSY. (M2)	69	6016076 HANDLE (LEFT) (M2)
11	6025765 PUTTY (M2)	70	6025117 PLATE/ RADIATION SHIELD (M2)
12	NA FOUR WAY VALVE ASSY. (M2)	71	6025118 PLATE/ CONDUIT MOUNTING (M2)
13	NA GAS STOP VALVE ASSY. (M2)	72	6025119 COVER (CONDUIT MOUNTING PLATE) (M2)
14	7900031 GAS STOP VALVE ASSY. (SUB) (M2)	73	140380J WASHER FACED HEAD TAPPING SCREW (M2)
15	1406207 MUFFLER (M2)	74	109224J HEX. HEAD TAPPING SCREW (M2)
16	1964138 BODY/ FOUR WAY VALVE (M2)	75	008203J TRUSS HEAD TAPPING SCREW (M2)
17	NA SUCTION PIPE (M2)	76	048017J PAN HEAD TAPPING SCREW (M2)
18	NA DISCHARGE PIPE ASSY. (M2)	77	6025120 TOP PLATE ASSY. (M2)
19	117029J MUFFLER (M2)	78	NA CAUTION LABEL (ELECTRIC SHOCK) (M2)
20	980754J VIBRATION ABSORBER/ REF. PIPING (M2)	79	4011522 LABEL (M2)
21	980761J WEIGHT CLIP (M2)	80	NA CAUTION LABEL (BURN) (M2)
22	6025114 ELECTRONIC EXP. VALVE ASSY. (M2)	81	NA BRAND NAME LABEL (M2)
23	7900035 LIQUID STOP VALVE ASSY. (M2)	82	135886J DRAIN JOINT (M2)
24	1980882 BODY/ ELECTRONIC EXP. VALVE (M2)		
25	138233J MUFFLER (M2)	<b>Expanded Model Nomenclature</b>	
26	1851908 PUTTY (M2)	M1 - RXL09QMVJU	
27	138349J PUTTY (M2)	M2 - RXL12QMVJU	
28	237007J REFRIGERANT FILTER (M2)	M3 - RXL15QMVJU	
29	6023978 SET PLATE/ STOP VALVE (M2)		
30	2158703 VALVE CAP (M2)		
31	1753314 VALVE CAP (M2)		
32	1723546 FLARE NUT (M2)		
33	119848J FLARE NUT (M2)		
34	380120J FITTING SPRING/ THERMISTOR (M2)		
35	111898J SOUND ABSORBING PUTTY (M2)		
36	7900036 REAR PLATE/ CONDENSER (M2)		
37	1754285 PUTTY (M2)		
38	6023976 FAN ROTOR (M2)		
39	847002J FAN RETAINING NUT (M2)		
40	6024931 DISCHARGE GRILLE ASSY. (M2)		
41	6025768 SWITCH BOX (M2)		
42	6025777 PRINTED CIRCUIT ASSY. (CONTROL) (M2)		
43	6025769 MOUNTING PLATE (HEAT SINK) (M2)		
44	6024341 LOCKING CARD SPACER (M2)		
45	6024342 CARD SPACER (M2)		
46	6023970 THERMISTOR ASSY. (M2)		
47	125536J MACHINE SCREW WITH WASHER (M2)		
48	109688J TRUSS HEAD TAPPING SCREW (M2)		
49	113783J TAPPING SCREW (M2)		
50	156720J TERMINAL BLOCK (M2)		
51	128511J FIXTURE/ THERMISTOR (M2)		
52	1728781 FIXTURE/ THERMISTOR (M2)		
53	6024945 EARTH WIRE (M2)		
54	2051477 EARTH WIRE (M2)		
55	6024343 MOUNTING PLATE (TERMINAL PLATE) (M2)		
56	1839504 PAN HEAD TAPPING SCREW (M2)		
57	6025770 WIRE HARNESS (COMPRESSOR) (M2)		
58	6025134 COIL/ FOUR WAY VALVE ASSY. (M2)		
59	622423J OVERLOAD PROTECTOR (M2)		

—TOP—



Ref #	Picture #
1	A1
2	A2
3	A3
4	A4
5	A6
6	A6
7	A7
8	A8
9	A9
10	B1
11	B2
12	B2-1
13	B2-1-1
14	B2-1-2
15	B2-2
16	B2-3
17	B2-4
18	B2-4-1
19	B3
20	B3-1
21	B3-2
22	B3-3
23	B3-4
24	B3-5
25	B3-6
26	B4
27	B6
28	B7
29	B9
30	B10
31	B12
32	C1
33	C2
34	C3
35	C4
36	E1
37	E2
38	E2-1
39	E4
40	E6
41	E7
42	E8
43	E9
44	E10
45	E11
46	E12
47	E13
48	E14
49	E15
50	E23
51	E24
52	E25
53	E26
54	E27
55	E28
56	F1
57	F2
58	F3
59	F4
60	F5
61	F6
62	F7
63	F8
64	F9
65	F10
66	F11
67	F12
68	F13
69	F14
70	F15
71	F16
72	F17
73	F21
74	F24
75	F25
76	F29
77	F30
78	F31
79	F32
80	F33
81	F34
82	F35
83	F36
84	F38
85	F39
86	K1
87	K2
88	K4
89	K4-1
90	K4-2



Ref. Part No: No:	Description:	Ref. Part No: No:	Description:			
<b>Image 1:</b>		<b>Image 1:</b>				
1	6024936 COMPRESSOR ASSY. (M3)	60	6022760 PARTITION PLATE (M3)			
2	128989J VIBRATION ISOLATOR (M3)	61	6022871 FAN MOTOR STAND ASSY. (M3)			
3	135859J FLANGE NUT (M3)	62	6022759 FAN MOTOR STAND (MOUNTING PLATE) (M3)			
4	1727788 TERMINAL COVER (M3)	63	6022709 STOP VALVE COVER (M3)			
5	040139J RUBBER BUSH/ LEAD WIRE (M3)	64	6022835 HANDLE (M3)			
6	380620J RETAINER/ OVERLOAD PROTECTOR (M3)	65	1885709 HANDLE (M3)			
7	6025086 SOUND INSULATION (INNER SLEEVE) (M3)	66	6025101 TERMINAL STRIP COVER (M3)			
8	6023853 SOUND INSULATION (OUTER BODY) (M3)	67	6022865 DRIP PROOF COVER (M3)			
9	6023854 SOUND INSULATION (TOP) (M3)	68	140380J WASHER FACED HEAD TAPPING SCREW (M3)			
10	6025121 HEAT EXCHANGER ASSY. (M3)	69	008203J TRUSS HEAD TAPPING SCREW (M3)			
11	6025677 FOUR WAY VALVE ASSY. (M3)	70	109224J HEX. HEAD TAPPING SCREW (M3)			
12	6024937 GAS STOP VALVE ASSY. (M3)	71	048017J PAN HEAD TAPPING SCREW (M3)			
13	6024939 GAS STOP VALVE ASSY. (SUB) (M3)	72	6022834 TOP PLATE (M3)			
14	170889J MUFFLER (M3)	73	380120J FITTING SPRING/ THERMISTOR (M3)			
15	2149590 BODY/ FOUR WAY VALVE (M3)	74	4011522 LABEL (M3)			
16	6025104 SUCTION PIPE (M3)	75	7900079 SEALING MATERIAL (M3)			
17	6025105 DISCHARGE PIPE ASSY. (M3)	76	7900083 SEALING MATERIAL (M3)			
18	152295J MUFFLER (M3)	77	7900084 CUSHION MATERIAL (FAN MOTOR STAND) (M3)			
19	NA ELECTRONIC EXP. VALVE ASSY. (M3)	78	7900085 CUSHION RUBBER (BOTTOM FRAME) (M3)			
20	6025108 LIQUID STOP VALVE ASSY. (M3)	79	6002549 SEALING MATERIAL (M3)			
21	131004J BODY/ ELECTRONIC EXP. VALVE (M3)	80	7900086 SEALING MATERIAL (M3)			
22	138233J MUFFLER (M3)	81	7900087 SEALING MATERIAL (M3)			
23	111167J STRAINER (M3)	82	2256032 CUSHION MATERIAL (CR FORM RUBBER) (M3)			
24	137963J PUTTY (M3)	83	6025102 CONDUIT MOUNTING PLATE (M3)			
25	6025773 LIQUID RECEIVER (M3)	84	NA CAUTION LABEL (ELECTRIC SHOCK) (M3)			
26	7900070 MOUNTING PLATE/ STOP VALVE (M3)	85	6019130 CAUTION LABEL (BURN) (M3)			
27	119849J FLARE NUT (M3)	86	6025256 BRAND NAME LABEL (M3)			
28	6015411 VALVE CAP (M3)	87	135886J DRAIN JOINT (M3)			
29	1753314 VALVE CAP (M3)	88	NA ACCESSORY SET (M3)			
30	1723546 FLARE NUT (M3)	89	NA CAP 1 (DRAIN) (M3)			
31	6025247 PUTTY (M3)	90	NA CAP 2 (DRAIN) (M3)			
32	6022761 FAN BLADE (M3)	<b>Expanded Model Nomenclature</b>				
33	847003J LOCK NUT/ FAN (M3)	<table border="1"> <tr> <td>M1 - RXL09QMVJU</td> </tr> <tr> <td>M2 - RXL12QMVJU</td> </tr> <tr> <td>M3 - RXL15QMVJU</td> </tr> </table>		M1 - RXL09QMVJU	M2 - RXL12QMVJU	M3 - RXL15QMVJU
M1 - RXL09QMVJU						
M2 - RXL12QMVJU						
M3 - RXL15QMVJU						
34	6025762 PROTECTION NET (LEFT SIDE) (M3)					
35	6024941 DISCHARGE GRILLE ASSY. (M3)					
36	6023857 EL. COMPO. MOUNTING PLATE (M3)					
37	6025778 PRINTED CIRCUIT ASSY. (CONTROL) (M3)					
38	153875J FUSE (M3)					
39	6023858 MOUNTING PLATE (TERMINAL STRIP) (M3)					
40	156720J TERMINAL BLOCK (M3)					
41	2051477 EARTH WIRE (M3)					
42	6025111 THERMISTOR ASSY. (M3)					
43	128511J FIXTURE/ THERMISTOR (M3)					
44	1728781 FIXTURE/ THERMISTOR (M3)					
45	622418J OVERLOAD PROTECTOR (M3)					
46	7900074 WIRE HARNESS (COMP) (M3)					
47	6022924 COIL/ ELECTRONIC EXP. VALVE (M3)					
48	6025680 COIL/ FOUR WAY VALVE ASSY. (M3)					
49	6024942 FAN MOTOR (M3)					
50	121650J TRUSS HEAD TAPPING SCREW (M3)					
51	109688J TRUSS HEAD TAPPING SCREW (M3)					
52	6025248 SEALING MATERIAL (M3)					
53	1839504 PAN HEAD TAPPING SCREW (M3)					
54	113783J TAPPING SCREW (M3)					
55	131073J PAN HEAD MACHINE SCREW (M3)					
56	6024943 BOTTOM FRAME ASSY. (M3)					
57	6025292 SIDE PLATE (RIGHT) (M3)					
58	6022758 SIDE PLATE (LEFT) (M3)					
59	6022706 FRONT PLATE (M3)					