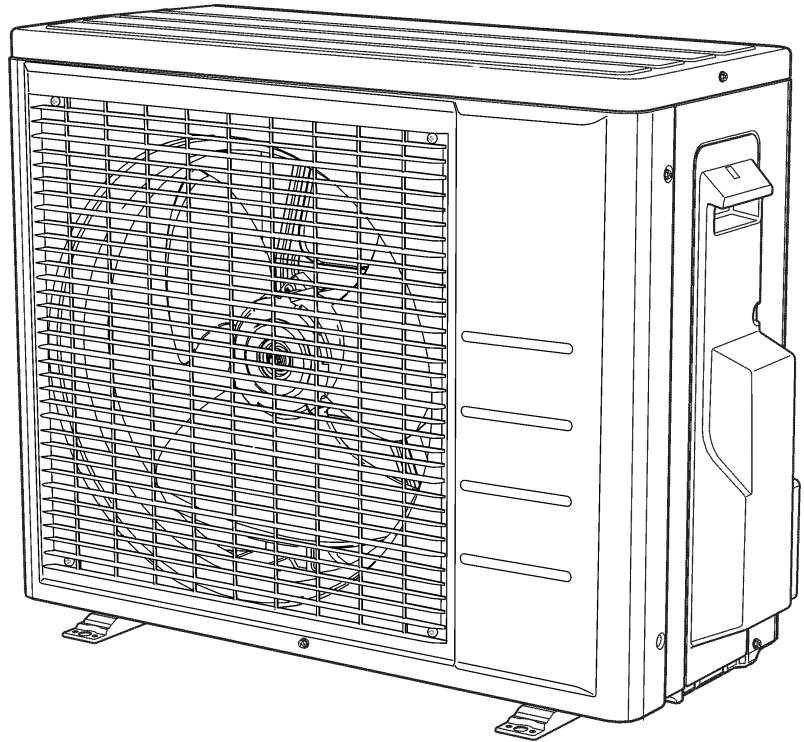


RX**QMVJU Outdoor MiniSplit

RX09QMVJU

RX12QMVJU

RX15QMVJU



This manual is to be used by qualified technicians only.

Important Information

Index

Functional Parts List	3
Illustration and Parts	4 - 7

Views shown are for parts illustrations only, not servicing procedures

Text Codes:

AR - As Required

NA - Not Available

NS - Not Shown

00000000 - See Note

QTY - Quantity Example (QTY 3) (If Quantity not shown, Quantity = 1)

M - Model Example (M1) (If M Code not shown, then part is used on all Models)

Expanded Model Nomenclature:

Example M1 - Model#1 M2 - Model#2 M3 - Model#3

Daikin Company, L.P. is not responsible for personal injury or property damage resulting from improper service. Review all service information before beginning repairs.

Warranty service must be performed by an authorized technician, using authorized factory parts. If service is required after the warranty expires, Daikin Company, L.P. also recommends contacting an authorized technician and using authorized factory parts.

Daikin Company, L.P. reserves the right to discontinue, or change at any time, specifications or designs without notice or without incurring obligations.

For assistance within the U.S.A. contact:

Homeowner Support
Daikin North America, LLC
19001 Kermier Road
Waller, Texas 77484
855-770-5678-Telephone
713-863-2382-Facsimile

For assistance outside the U.S.A. contact:

International Division
Daikin North America, LLC
19001 Kermier Road
Waller, Texas 77484
713-861-2500-Telephone
713-863-2382-Facsimile

Functional Parts

Part

No: Description:

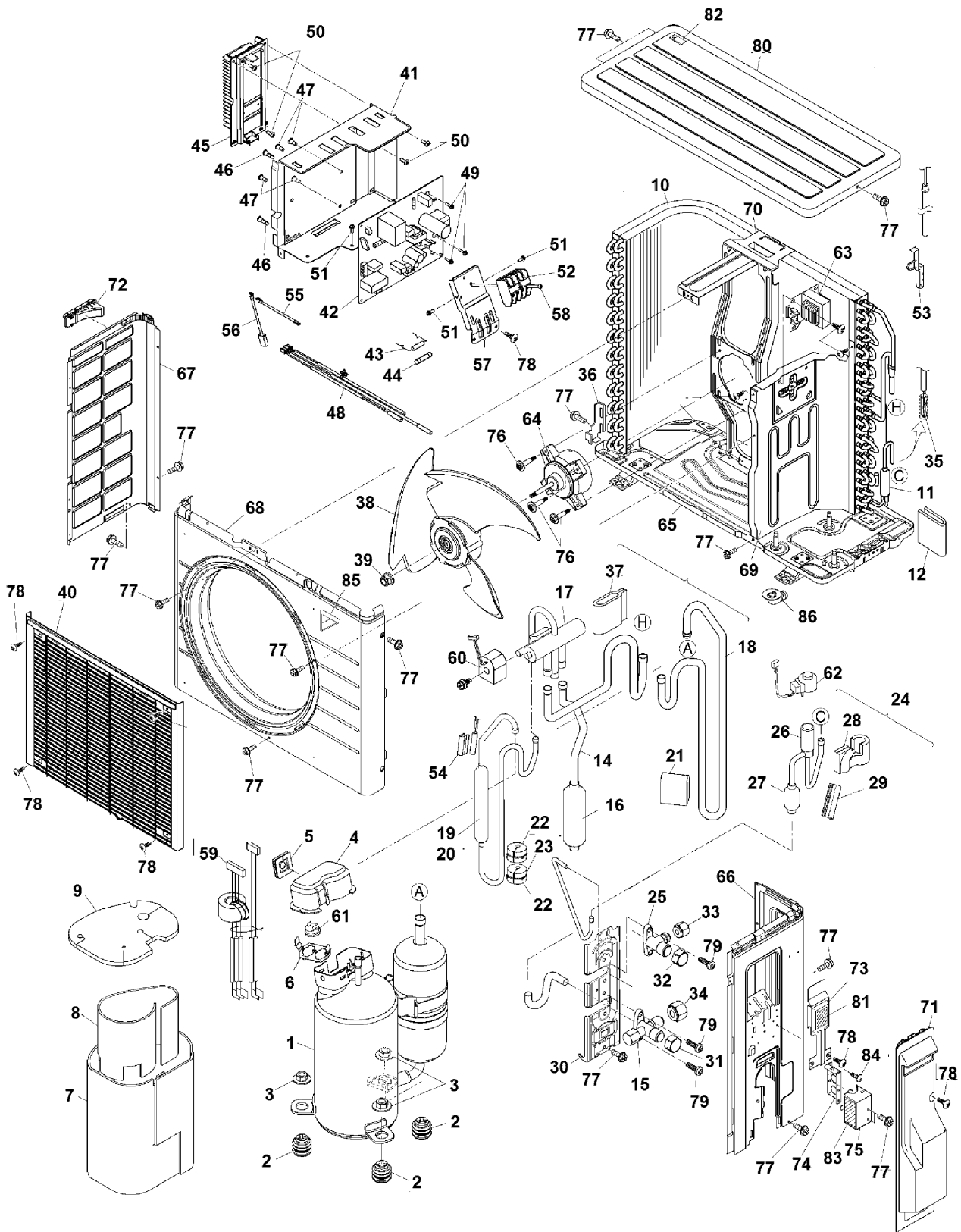
6024936	COMPRESSOR ASSY. (M3)
6024928	COMPRESSOR ASSY. (M1, M2)
6024932	DC FAN MOTOR (M1, M2)
6024942	FAN MOTOR (M3)
153875J	FUSE
131316J	FUSE (M1, M2)
622418J	OVERLOAD PROTECTOR
6026445	PRINTED CIRCUIT ASSY. (M3)
6026444	PRINTED CIRCUIT ASSY. (M2)
6026443	PRINTED CIRCUIT ASSY. (M1)
6023975	REACTOR (M1, M2)
6025111	THERMISTOR ASSY. (M3)
6023970	THERMISTOR ASSY. (M1, M2)

Expanded Model Nomenclature

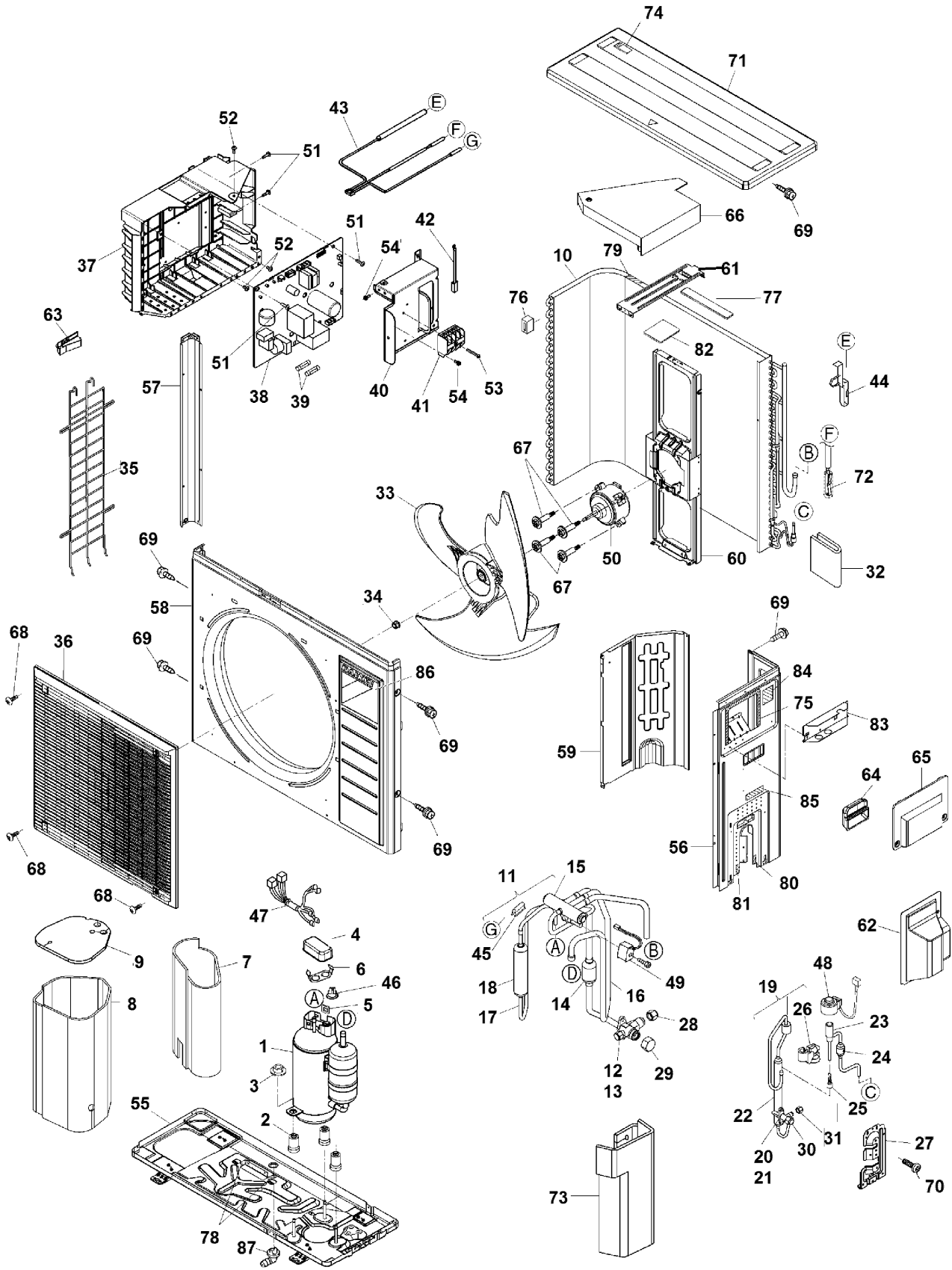
M1 - RX09QMVJU

M2 - RX12QMVJU

M3 - RX15QMVJU



Ref. Part No: No:	Description:	Ref. Part No: No:	Description:
Image 1:		Image 1:	
1	6024928 COMPRESSOR ASSY. (M1, M2)	59	6023973 WIRE HARNESS (COMPRESSOR) (M1, M2)
2	091532J VIBRATION ISOLATOR (M1, M2)	60	6025134 COIL/ FOUR WAY VALVE ASSY. (M1, M2)
3	135859J FLANGE NUT (M1, M2)	61	622418J OVERLOAD PROTECTOR (M1, M2)
4	1727788 TERMINAL COVER (M1, M2)	62	2149367 COIL/ ELECTRONIC EXP. VALVE (M1, M2)
5	040139J RUBBER BUSH/ LEAD WIRE (M1, M2)	63	6023975 REACTOR (M1, M2)
6	380620J RETAINER/ OVERLOAD PROTECTOR (M1, M2)	64	6024932 DC FAN MOTOR (M1, M2)
7	6024344 SOUND INSULATION (OUTER SLEEVE) (M1, M2)	65	6024933 BOTTOM FRAME ASSY. (M1, M2)
8	6024336 SOUND INSULATION (INNER SLEEVE) (M1, M2)	66	6023980 SIDE PLATE (RIGHT) (M1, M2)
9	6024337 SOUND INSULATION (TOP) (M1, M2)	67	6023981 SIDE PLATE (LEFT) (M1, M2)
10	6024935 PLATE FINNED COIL HEAT EXCH. ASSY. (M1, M2)	68	6024934 FRONT PLATE ASSY. (M1, M2)
11	154401J MUFFLER (M1, M2)	69	7900045 PARTITION PLATE (M1, M2)
12	7900057 PUTTY (M1, M2)	70	6023988 FAN MOTOR STAND ASSY. (M1, M2)
13	6025130 FOUR WAY VALVE ASSY. (M1, M2)	71	6025116 COVER/ STOP VALVE (M1, M2)
14	6024930 GAS STOP VALVE ASSY. (M1, M2)	72	6016076 HANDLE (LEFT) (M1, M2)
15	7900031 GAS STOP VALVE ASSY. (SUB) (M1, M2)	73	6025117 PLATE/ RADIATION SHIELD (M1, M2)
16	1406207 MUFFLER (M1, M2)	74	6025118 PLATE/ CONDUIT MOUNTING (M1, M2)
17	1964138 BODY/ FOUR WAY VALVE (M1, M2)	75	6025119 COVER (CONDUIT MOUNTING PLATE) (M1, M2)
18	NA SUCTION PIPE (M1, M2)	76	140380J WASHER FACED HEAD TAPPING SCREW (M1, M2)
19	7900033 DISCHARGE PIPE ASSY. (M1, M2)	77	109224J HEX. HEAD TAPPING SCREW (M1, M2)
20	117029J MUFFLER (M1, M2)	78	008203J TRUSS HEAD TAPPING SCREW (M1, M2)
21	6024338 PUTTY (M1, M2)	79	048017J PAN HEAD TAPPING SCREW (M1, M2)
22	980754J VIBRATION ABSORBER/ REF. PIPING (M1, M2)	80	6025120 TOP PLATE ASSY. (M1, M2)
23	980761J WEIGHT CLIP (M1, M2)	81	NA CAUTION LABEL (ELECTRIC SHOCK) (M1, M2)
24	6025131 ELECTRONIC EXP. VALVE ASSY. (M1, M2)	82	4011522 LABEL (M1, M2)
25	7900035 LIQUID STOP VALVE ASSY. (SUB) (M1, M2)	83	NA CAUTION LABEL (BURN) (M1, M2)
26	1980882 BODY/ ELECTRONIC EXP. VALVE (M1, M2)	84	113783J TAPPING SCREW (M1, M2)
27	138233J MUFFLER (M1, M2)	85	NA BRAND NAME LABEL (M1, M2)
28	138349J PUTTY (M1, M2)	86	135886J DRAIN JOINT (M1, M2)
29	159396J PUTTY (M1, M2)		
30	6023978 SET PLATE/ STOP VALVE (M1, M2)		
31	2158703 VALVE CAP (M1, M2)		
32	1753314 VALVE CAP (M1, M2)		
33	1723546 FLARE NUT (M1, M2)		
34	119848J FLARE NUT (M1, M2)		
35	380120J FITTING SPRING/ THERMISTOR (M1, M2)		
36	7900036 REAR PLATE/ CONDENSER (M1, M2)		
37	1754285 PUTTY (M1, M2)		
38	6023976 FAN ROTOR (M1, M2)		
39	847002J FAN RETAINING NUT (M1, M2)		
40	6024931 DISCHARGE GRILLE ASSY. (M1, M2)		
41	6024339 SWITCH BOX (M1, M2)		
42	6026443 PRINTED CIRCUIT ASSY. (M1)		
42	6026444 PRINTED CIRCUIT ASSY. (M2)		
43	131316J FUSE (M1, M2)		
44	153875J FUSE (M1, M2)		
45	6024340 MOUNTING PLATE (HEAT SINK) (M1, M2)		
46	6024341 LOCKING CARD SPACER (M1, M2)		
47	6024342 CARD SPACER (M1, M2)		
48	6023970 THERMISTOR ASSY. (M1, M2)		
49	125536J MACHINE SCREW WITH WASHER (M1, M2)		
50	109688J TRUSS HEAD TAPPING SCREW (M1, M2)		
51	113783J TAPPING SCREW (M1, M2)		
52	156720J TERMINAL BLOCK (M1, M2)		
53	128511J FIXTURE/ THERMISTOR (M1, M2)		
54	1728781 FIXTURE/ THERMISTOR (M1, M2)		
55	6024945 EARTH WIRE (M1, M2)		
56	2051477 EARTH WIRE (M1, M2)		
57	6024343 MOUNTING PLATE (TERMINAL PLATE) (M1, M2)		
58	1839504 PAN HEAD TAPPING SCREW (M1, M2)		
		Expanded Model Nomenclature	
		M1 - RX09QMVJU	
		M2 - RX12QMVJU	
		M3 - RX15QMVJU	



Ref. Part No: No:	Description:	Ref. Part No: No:	Description:			
Image 1:		Image 1:				
1	6024936 COMPRESSOR ASSY. (M3)	60	6022871 FAN MOTOR STAND ASSY. (M3)			
2	128989J VIBRATION ISOLATOR (M3)	61	6025100 FAN MOTOR STAND (M3)			
3	135859J FLANGE NUT (M3)	62	6022709 STOP VALVE COVER (M3)			
4	1727788 TERMINAL COVER (M3)	63	6022835 HANDLE (M3)			
5	040139J RUBBER BUSH/ LEAD WIRE (M3)	64	1885709 HANDLE (M3)			
6	380620J RETAINER/ OVERLOAD PROTECTOR (M3)	65	6025101 TERMINAL STRIP COVER (M3)			
7	6025086 SOUND INSULATION (INNER SLEEVE) (M3)	66	6022865 DRIP PROOF COVER (M3)			
8	6023853 SOUND INSULATION (OUTER BODY) (M3)	67	140380J WASHER FACED HEAD TAPPING SCREW (M3)			
9	6023854 SOUND INSULATION (TOP) (M3)	68	008203J TRUSS HEAD TAPPING SCREW (M3)			
10	6025089 HEAT EXCHANGER ASSY. (M3)	69	109224J HEX. HEAD TAPPING SCREW (M3)			
11	6025677 FOUR WAY VALVE ASSY. (M3)	70	048017J PAN HEAD TAPPING SCREW (M3)			
12	6024937 GAS STOP VALVE ASSY. (M3)	71	6022834 TOP PLATE (M3)			
13	6024939 GAS STOP VALVE ASSY. (SUB) (M3)	72	380120J FITTING SPRING/ THERMISTOR (M3)			
14	170889J MUFFLER (M3)	73	6025112 SOUND INSULATION (RV) (M3)			
15	2149590 BODY/ FOUR WAY VALVE (M3)	74	4011522 LABEL (M3)			
16	6025104 SUCTION PIPE (M3)	75	7900079 SEALING MATERIAL (M3)			
17	6025105 DISCHARGE PIPE ASSY. (M3)	76	7900083 SEALING MATERIAL (M3)			
18	152295J MUFFLER (M3)	77	7900084 CUSHION MATERIAL (FAN MOTOR STAND) (M3)			
19	6025106 ELECTRONIC EXP. VALVE ASSY. (M3)	78	7900085 CUSHION RUBBER (BOTTOM FRAME) (M3)			
20	6025107 LIQUID RECEIVER ASSY. (M3)	79	6025249 SEALING MATERIAL (M3)			
21	6025108 LIQUID STOP VALVE ASSY. (M3)	80	7900086 SEALING MATERIAL (M3)			
22	99S8402 LIQUID RECEIVER (M3)	81	7900087 SEALING MATERIAL (M3)			
23	131004J BODY/ ELECTRONIC EXP. VALVE (M3)	82	2256032 CUSHION MATERIAL (CR FORM RUBBER) (M3)			
24	138233J MUFFLER (M3)	83	6025102 CONDUIT MOUNTING PLATE (M3)			
25	111167J STRAINER (M3)	84	NA CAUTION LABEL (ELECTRIC SHOCK) (M3)			
26	137963J PUTTY (M3)	85	6019130 CAUTION LABEL (BURN) (M3)			
27	7900070 MOUNTING PLATE/ STOP VALVE (M3)	86	6025256 BRAND NAME LABEL (M3)			
28	119849J FLARE NUT (M3)	87	135886J DRAIN JOINT (M3)			
29	6015411 VALVE CAP (M3)	Expanded Model Nomenclature				
30	1753314 VALVE CAP (M3)	<table border="1"> <tr> <td>M1 - RX09QMVJU</td> </tr> <tr> <td>M2 - RX12QMVJU</td> </tr> <tr> <td>M3 - RX15QMVJU</td> </tr> </table>		M1 - RX09QMVJU	M2 - RX12QMVJU	M3 - RX15QMVJU
M1 - RX09QMVJU						
M2 - RX12QMVJU						
M3 - RX15QMVJU						
31	1723546 FLARE NUT (M3)					
32	6025247 PUTTY (M3)					
33	6022761 FAN BLADE (M3)					
34	847003J LOCK NUT/ FAN (M3)					
35	6025762 PROTECTION NET (LEFT SIDE) (M3)					
36	6024941 DISCHARGE GRILLE ASSY. (M3)					
37	6023857 EL. COMPO. MOUNTING PLATE (M3)					
38	6026445 PRINTED CIRCUIT ASSY. (M3)					
39	153875J FUSE (M3)					
40	6023858 MOUNTING PLATE (TERMINAL STRIP) (M3)					
41	156720J TERMINAL BLOCK (M3)					
42	2051477 EARTH WIRE (M3)					
43	6025111 THERMISTOR ASSY. (M3)					
44	128511J FIXTURE/ THERMISTOR (M3)					
45	1728781 FIXTURE/ THERMISTOR (M3)					
46	622418J OVERLOAD PROTECTOR (M3)					
47	7900074 WIRE HARNESS (COMP) (M3)					
48	6022924 COIL/ ELECTRONIC EXP. VALVE (M3)					
49	6025680 COIL/ FOUR WAY VALVE ASSY. (M3)					
50	6024942 FAN MOTOR (M3)					
51	121650J TRUSS HEAD TAPPING SCREW (M3)					
52	109688J TRUSS HEAD TAPPING SCREW (M3)					
53	1839504 PAN HEAD TAPPING SCREW (M3)					
54	113783J TAPPING SCREW (M3)					
55	6024943 BOTTOM FRAME ASSY. (M3)					
56	6025292 SIDE PLATE (RIGHT) (M3)					
57	6022758 SIDE PLATE (LEFT) (M3)					
58	6022706 FRONT PLATE (M3)					
59	6022760 PARTITION PLATE (M3)					