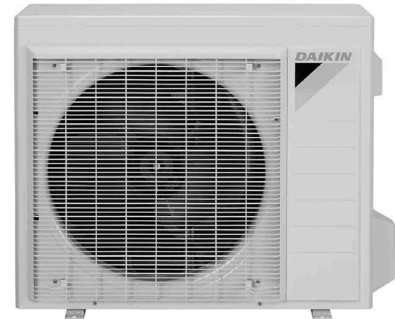


## RX\*\*RMVJU Outdoor Ductless Mini-Split Heat Pump

RX09RMVJU9

RX12RMVJU9

RX18RMVJU9



This manual is to be used by qualified technicians only.

# Important Information

---

## Index

Functional Parts List .....	3
Illustration and Parts .....	4 - 7

*Views shown are for parts illustrations only, not servicing procedures.*

### Text Codes:

AR - As Required

NA - Not Available

NS - Not Shown

00000000 - See Note

QTY - Quantity Example (QTY 3) (If Quantity not shown, Quantity = 1)

M - Model Example (M1) (If M Code not shown, then part is used on all Models)

### Expanded Model Nomenclature:

Example
M1 - Model#1
M2 - Model#2
M3 - Model#3

Daikin Manufacturing Company, L.P. is not responsible for personal injury or property damage resulting from improper service. Review all service information before beginning repairs.

Warranty service must be performed by an authorized technician, using authorized factory parts. If service is required after the warranty expires, Daikin Manufacturing Company, L.P. also recommends contacting an authorized technician and using authorized factory parts.

Daikin Manufacturing Company, L.P. reserves the right to discontinue, or change at any time, specifications or designs without notice or without incurring obligations.

For assistance within the U.S.A. contact:

Homeowner Support  
Daikin North America, LLC  
19001 Kermier Road  
Waller, Texas 77484  
855-770-5678-Telephone  
713-863-2382-Facsimile

For assistance outside the U.S.A. contact:

International Division  
Daikin North America, LLC  
19001 Kermier Road  
Waller, Texas 77484  
713-861-2500-Telephone  
713-863-2382-Facsimile

# Functional Parts

## Part

## No: Description:

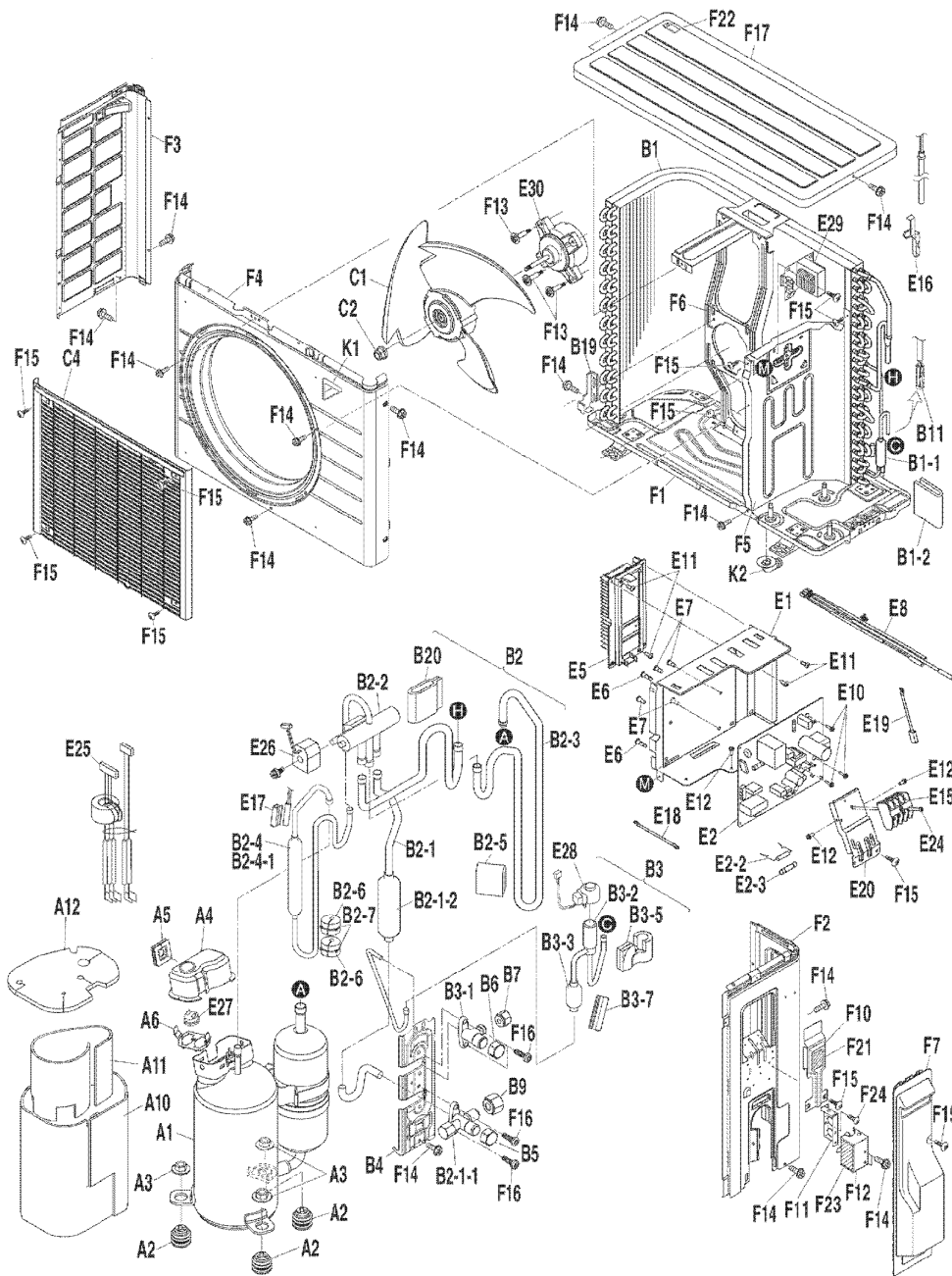
---

6024936	COMPRESSOR ASSY. (M3)
6024928	COMPRESSOR ASSY. (M1, M2)
6024932	DC FAN MOTOR (M1, M2)
6024942	FAN MOTOR (M3)
153875J	FUSE (M3)
153875J	FUSE (M1, M2)
131316J	FUSE (M1, M2)
622418J	OVERLOAD PROTECTOR
2437026	PRINTED CIRCUIT BOARD ASSY. (M3)
2437019	PRINTED CIRCUIT BOARD ASSY. (M2)
2437002	PRINTED CIRCUIT BOARD ASSY. (M1)
6024339	SWITCH BOX (M1, M2)

### Expanded Model Nomenclature

M1 - RX09RMVJU9
M2 - RX12RMVJU9
M3 - RX18RMVJU9

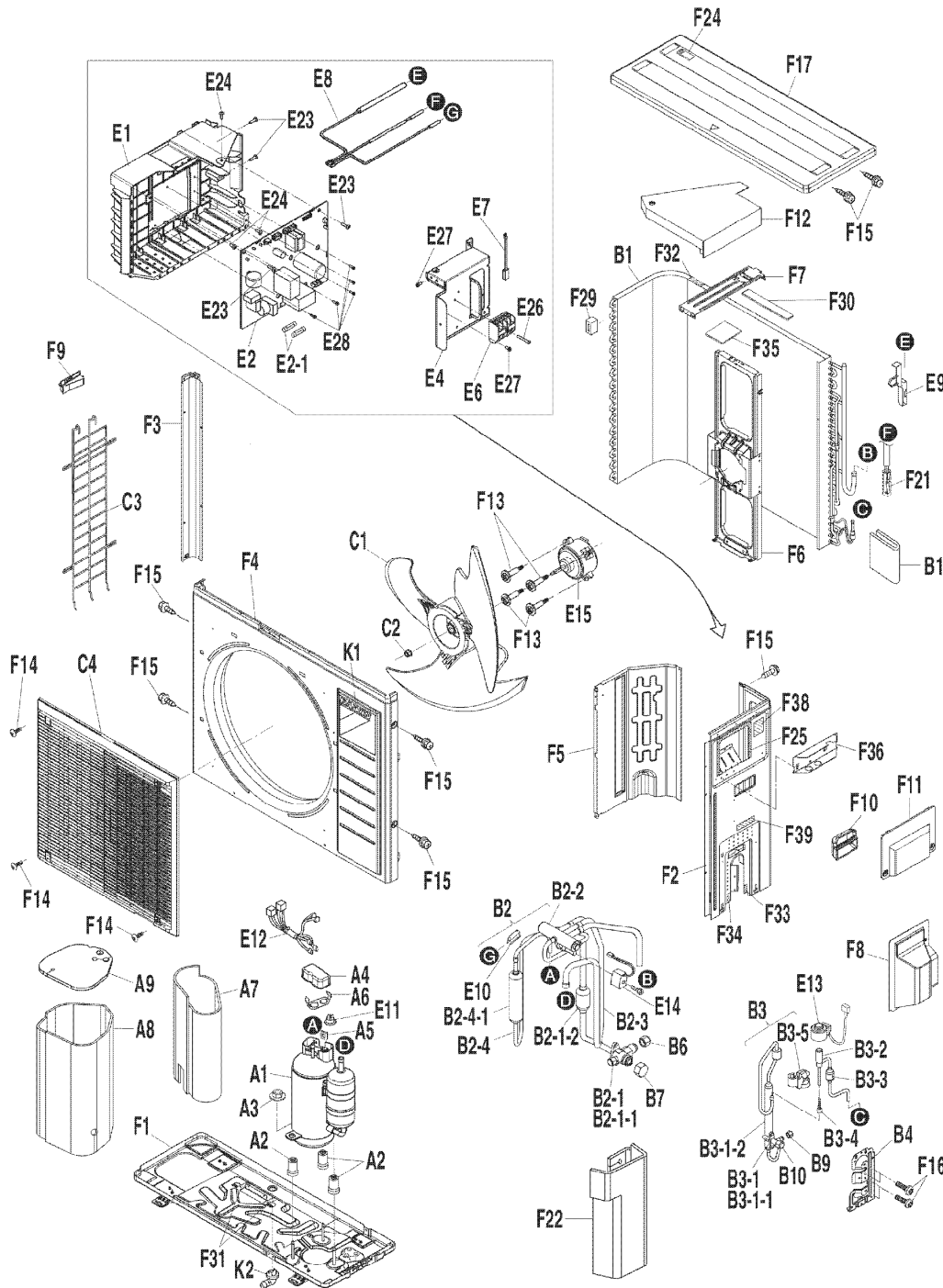
—TOP—



Picture Key		Picture Key	
Ref #	Picture #	Ref #	Picture #
1	A1	44	E2-3
2	A2	45	E5
3	A3	46	E6
4	A4	47	E7
5	A5	48	E8
6	A6	49	E10
7	A10	50	E11
8	A11	51	E12
9	A12	52	E15
10	B1	53	E16
11	B1-1	54	E17
12	B1-2	55	E18
13	B2	56	E19
14	B2-1	57	E20
15	B2-1-1	58	E24
16	B2-1-2	59	E25
17	B2-2	60	E26
18	B2-3	61	E27
19	B2-4	62	E28
20	B2-4-1	63	E29
21	B2-5	64	E30
22	B2-6	65	F1
23	B2-7	66	F2
24	B3	67	F3
25	B3-1	68	F4
26	B3-2	69	F5
27	B3-3	70	F6
28	B3-5	71	F7
29	B3-7	72	F10
30	B4	73	F11
31	B5	74	F12
32	B6	75	F13
33	B7	76	F14
34	B9	77	F15
35	B11	78	F16
36	B19	79	F17
37	B20	80	F21
38	C1	81	F22
39	C2	82	F23
40	C4	83	F24
41	E1	84	K1
42	E2	85	K2
43	E2-2		



-TOP-



Picture Key		Picture Key	
Ref #	Picture #	Ref #	Picture #
1	A1	45	E10
2	A2	46	E11
3	A3	47	E12
4	A4	48	E13
5	A5	49	E14
6	A6	50	E15
7	A7	51	E23
8	A8	52	E24
9	A9	53	E26
10	B1	54	E27
11	B2	55	E28
12	B2-1	56	F1
13	B2-1-1	57	F2
14	B2-1-2	58	F3
15	B2-2	59	F4
16	B2-3	60	F5
17	B2-4	61	F6
18	B2-4-1	62	F7
19	B3	63	F8
20	B3-1	64	F9
21	B3-1-1	65	F10
22	B3-1-2	66	F11
23	B3-2	67	F12
24	B3-3	68	F13
25	B3-4	69	F14
26	B3-5	70	F15
27	B4	71	F16
28	B6	72	F17
29	B7	73	F21
30	B9	74	F22
31	B10	75	F24
32	B12	76	F25
33	C1	77	F29
34	C2	78	F30
35	C3	79	F31
36	C4	80	F32
37	E1	81	F33
38	E2	82	F34
39	E2-1	83	F35
40	E4	84	F36
41	E6	85	F38
42	E7	86	F39
43	E8	87	K1
44	E9	88	K2

