

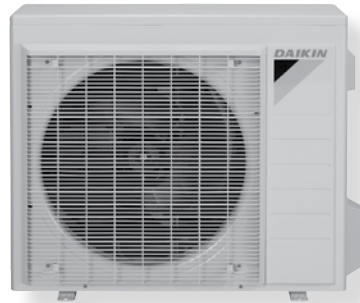
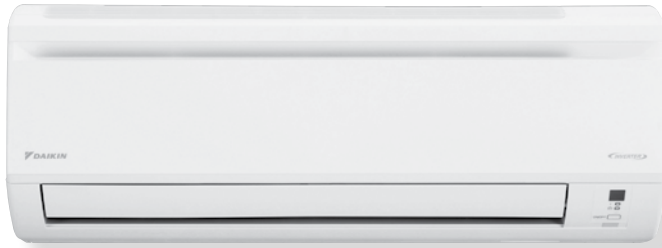


19 SERIES

HIGH-EFFICIENCY WALL-MOUNTED DUCTLESS SYSTEMS

PERFORMANCE:

- UP TO 19 SEER
- 12.5 EER
- 9.0 HSPF



Product Features

- Inverter Compressor
- 208/230/1 Power Supply
- Cooling Range: 0° - 115° F (with optional wind baffle)
- Heating Range: -4° - 75° F (with optional wind baffle)
- Pre-charged for up to 33 ft of liquid line
- Indoor Sound Pressure as low as 19 dB(A)
- Outdoor Sound Pressures as low as 46 dB(A)
- Washable Air Filter
- Econo Mode
- Program Dry Function
- Powerful Operation Mode
- Wireless Remote Controller with backlit display
- Outdoor Unit quiet operation with backlight
- Auto Changeover (Heat Pump only)
- Auto Fan Speed Control
- Self-Diagnostics with digital display
- Auto Restart after power failure
- Anti-Corrosion Treatment on heat exchanger
- Max Piping (09/12 MBH): 66' length, 49' height
- Max Piping (18/24 MBH): 98' Length, 66' height
- Titanium Apatite photocatalytic air filter

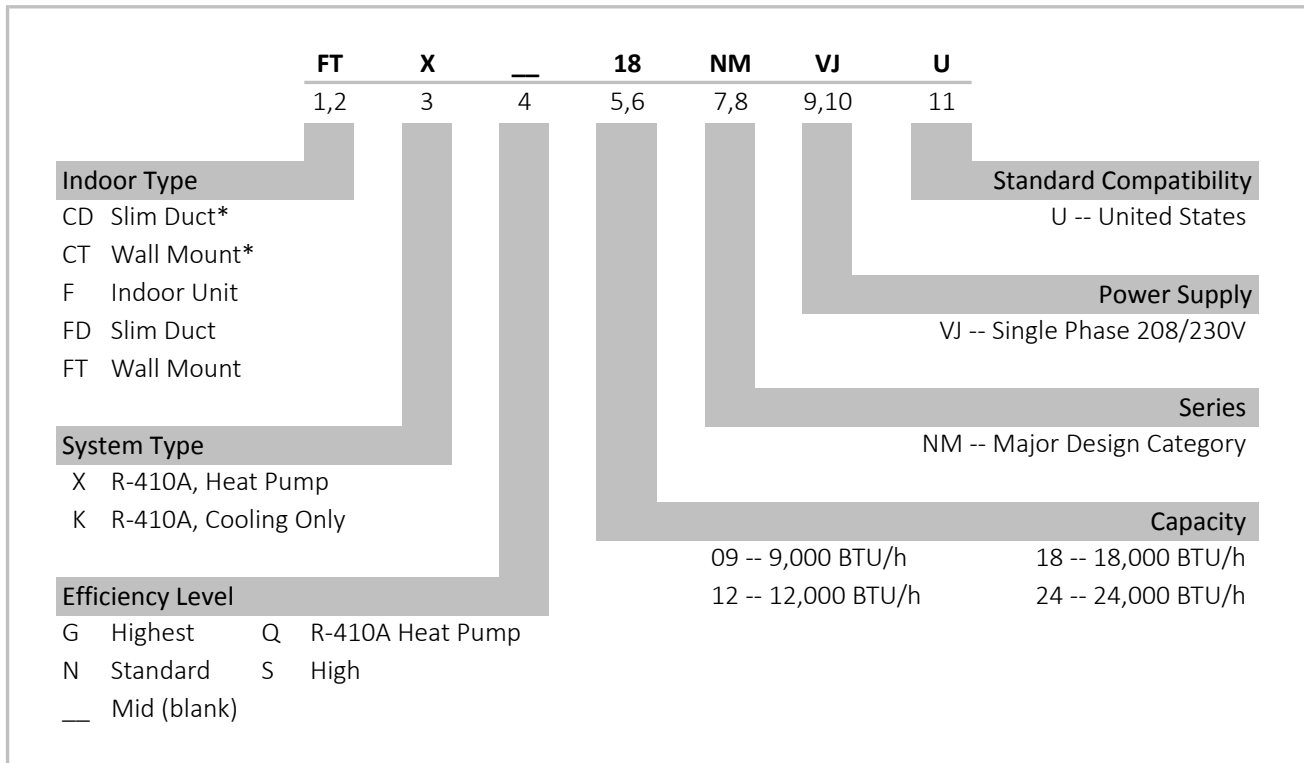
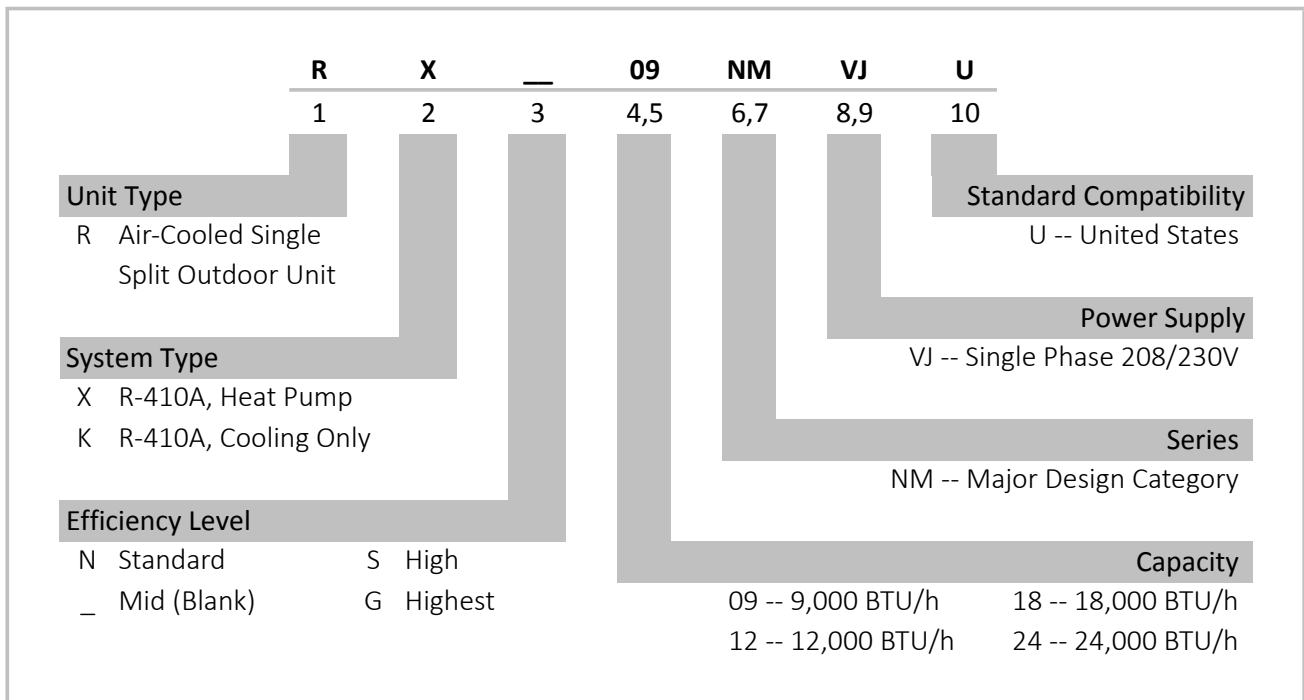


ENERGY STAR® and the ENERGY STAR mark are registered trademarks owned by the U.S. Environmental Protection Agency. ENERGY STAR products are third-party certified by an EPA-recognized Certification Body. Products that earn the ENERGY STAR prevent greenhouse gas emissions by meeting strict energy efficiency guidelines set by the U.S. Environmental Protection Agency.

Proper sizing and installation of equipment is critical to achieving optimal performance. Split system air conditioners and heat pumps must be matched with appropriate coil components to meet ENERGY STAR criteria. Ask your contractor for details or visit www.energystar.gov.



* Complete warranty details available from your local dealer or at www.daikincomfort.com. To receive the 12-Year Parts Limited Warranty, online registration must be completed within 60 days of installation. Online registration and some of the additional requirements are not required in California or Quebec.



SYSTEM PERFORMANCE					
Nominal Capacity Class		9,000	12,000	18,000	24,000
Cooling Capacity (Rated)	BTU/h	9,000	10,900	18,000	21,200
Cooling Capacity (Min – Max)	BTU/h	4,400-10,200	4,400-13,300	5,500-20,000	5,500-24,000
Heating Capacity (Rated)*	BTU/h	10,000	13,500	21,600	24,000
Heating Capacity (Min – Max)*	BTU/h	4,400-13,000	4,400-16,400	5,500-24,000	5,800-27,600
SEER		19	19	18	18
EER		12.5	12.5	12.5	12.5
COP		4.06	3.8	3.6	3.5
HSPF*		9	9	9	9
ELECTRICAL DATA					
Power Supply	V/Ph/Hz	208-230/1/60	208-230/1/60	208-230/1/60	208-230/1/60
Minimum Circuit Amps	A	12.1	12.2	18.3	18.3
Maximum Overcurrent Protection	A	15	15	20	20
Power Consumption - Cooling	kW	0.72	0.87	1.44	1.70
Power Consumption - Heating*	kW	0.72	1.04	1.76	2.01

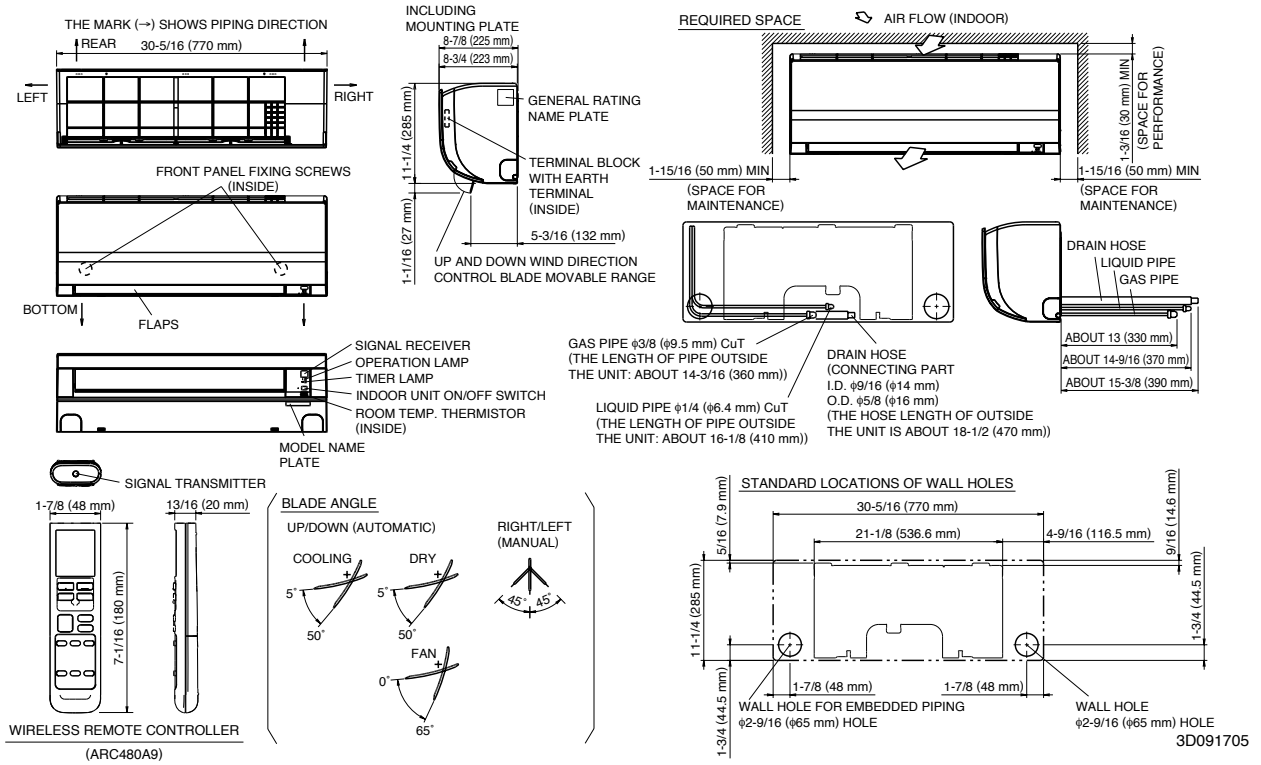
INDOOR WALL-MOUNTED UNITS						
MODEL NAME	COOLING ONLY		FTK09NMVJU	FTK12NMVJU	FTK18NMVJU	FTK24NMVJU
	HEAT PUMP		FTX09NMVJU	FTX12NMVJU	FTX18NMVJU	FTX24NMVJU
Moisture Removal	Q/hr		1.25	1.8	4.1	4.75
Airflow-Wet (H/M/L/SL)	CFM		417/297/244/141	434/311/247/145	713/579/448/403	713/579/512/403
Airflow-Dry (H/M/L/SL)*	CFM		403/328/251/215	413/321/258/219	745/604/470/420	745/604/470/420
Sound Pressure - Cooling (H/M/L/SL)	dB(A)		43/36/30/19	45/37/30/19	49/44/38/33	53/45/39/34
Sound Pressure - Heating (H/M/L/SL)*	dB(A)		43/36/29/25	45/37/30/26	49/42/37/33	53/43/37/34
Piping Connections	Liquid (O.D.)	in.	∅ ¼	∅ ¼	∅ ¼	∅ ¼
	Gas (O.D.)	in.	∅ ¾	∅ ¾	∅ ½	∅ ¾
	Condensate Drain	in.	∅ ¾	∅ ¾	∅ 1 ¹ / ₁₆	∅ 1 ¹ / ₁₆
Dimensions (H x W x D)	in.		11¼ x 30¾ x 8¾	11¼ x 30¾ x 8¾	11½ x 39 x 10¾	11½ x 39 x 10¾
Net Weight	lbs.		18	18	26	26

OUTDOOR UNITS						
MODEL NAME	COOLING ONLY		RK09NMVJU	RK12NMVJU	RK18NMVJU	RK24NMVJU
	HEAT PUMP 		RX09NMVJU	RX12NMVJU	RX18NMVJU	RX24NMVJU
Sound Pressure Level - Cooling/Heating*	dB(A)		46/48	49/49	54/54	55/55
Operating Range - Cooling	°F DB		50 - 115	50 - 115	50 - 115	50 - 115
Operating Range - Low Ambient Cooling**	°F DB		14 - 115	14 - 115	14 - 115	14 - 115
Operating Range - Cooling with Optional Wind Baffle**	°F DB		0 - 115	0 - 115	0 - 115	0 - 115
Operating Range - Heating*	°F DB		5 - 75	5 - 75	5 - 75	5 - 75
Operating Range - Heating with Optional Drain Pan Heater	°F DB		-4 - 75	-4 - 75	-4 - 75	-4 - 75
Max. Piping Length	ft.		65.6	65.6	98.4	98.4
Max. Piping Height	ft.		49.2	49.2	65.6	65.6
Dimensions (H x W x D)	in.		21½ x 26½ x 11½	21½ x 26½ x 11½	29 x 34¼ x 12¾	29 x 34¼ x 12¾
Net Weight	lbs.		55	60	97	108

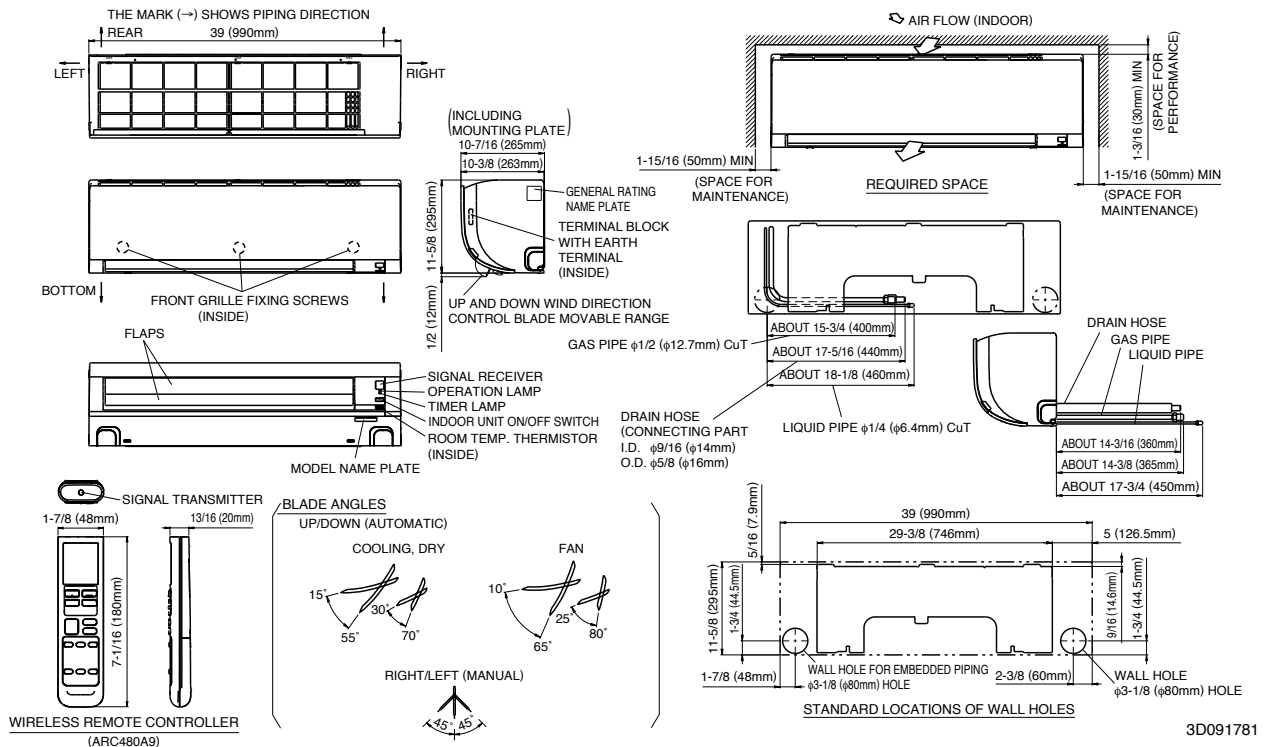
*Applicable to heat pump models only

**Cutting a jumper is required. Refer to installation manual.

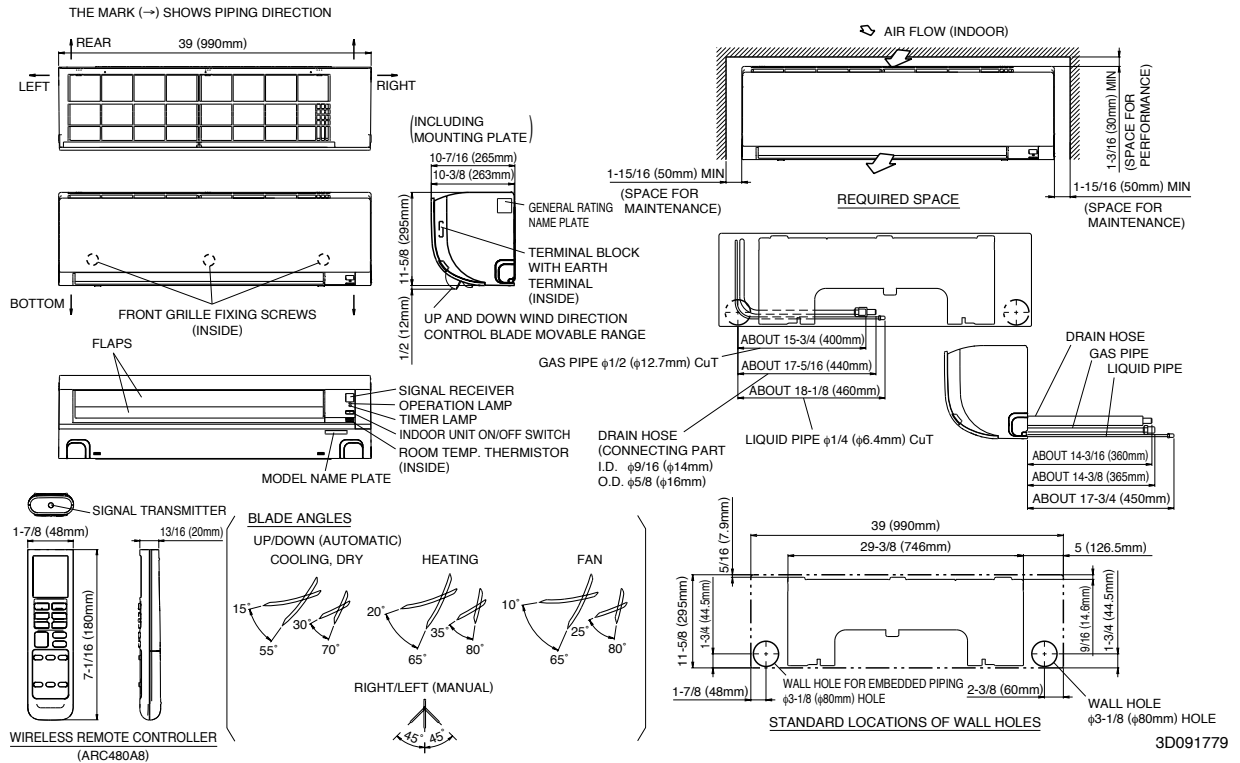
FTK09/12NMVJU



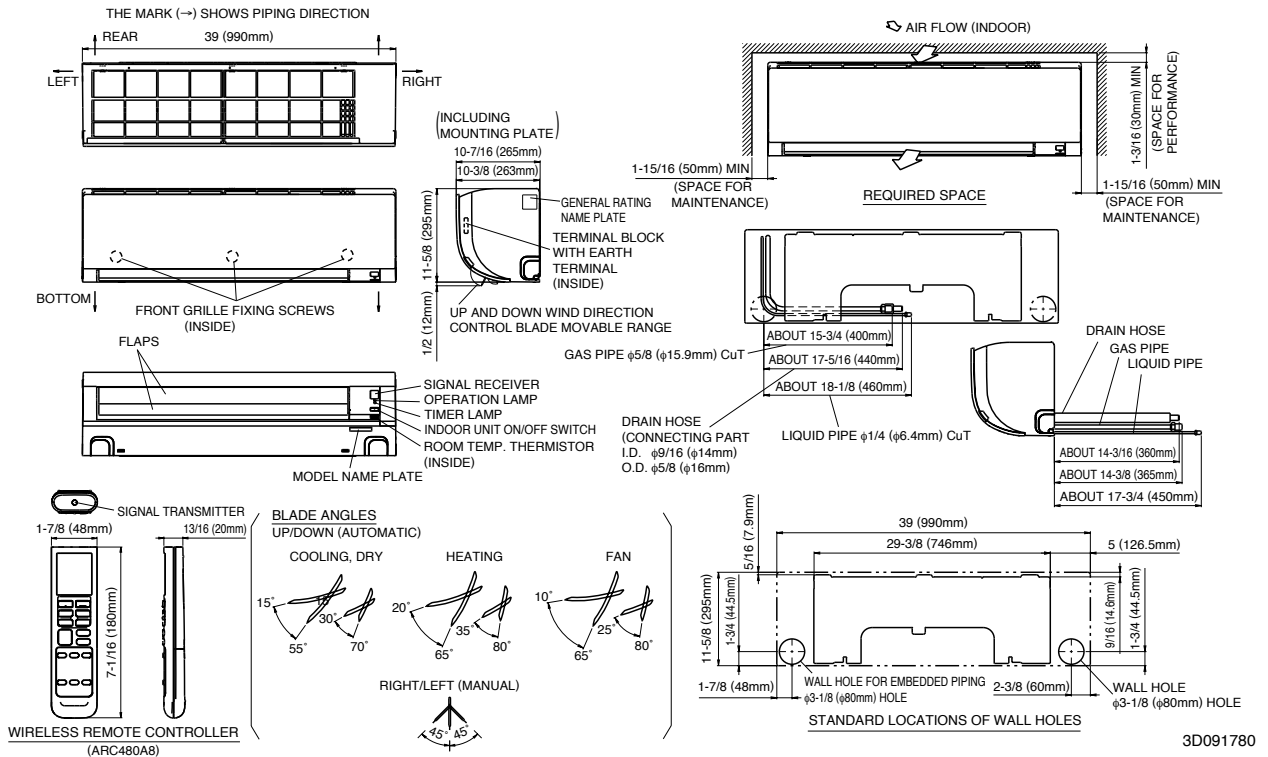
FTK18NMVJU



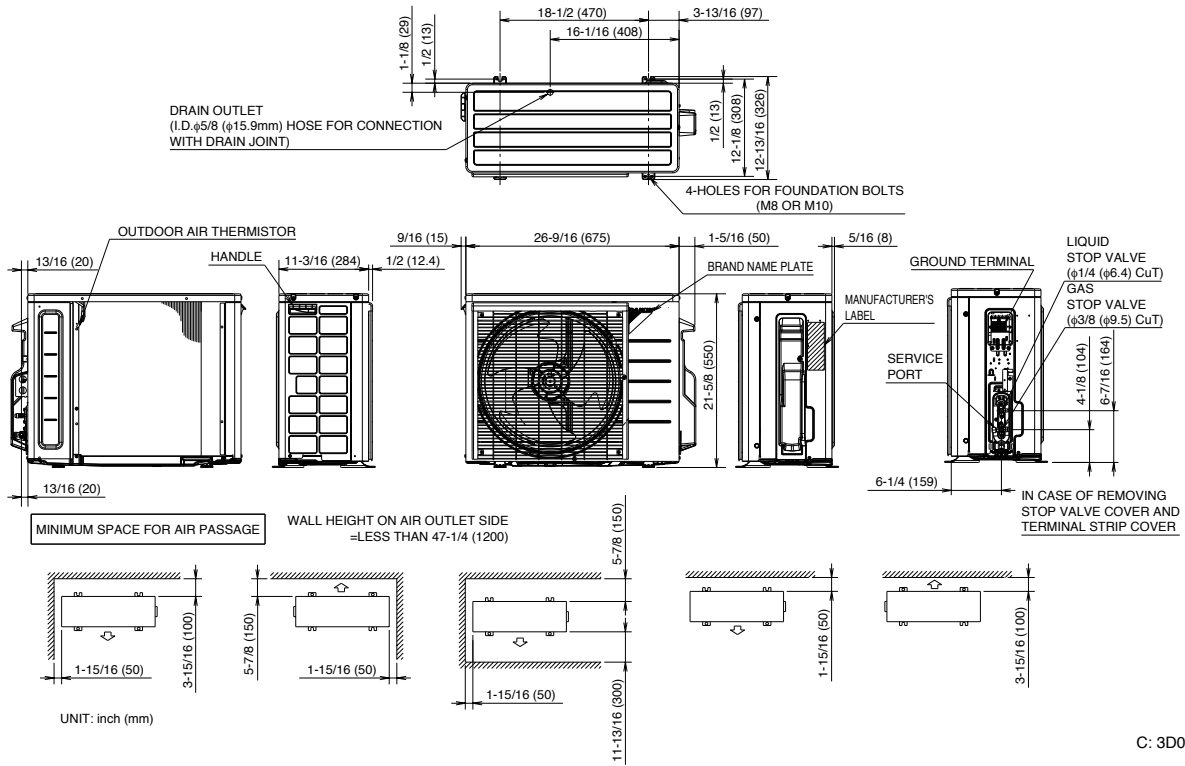
FTX18NMVJU



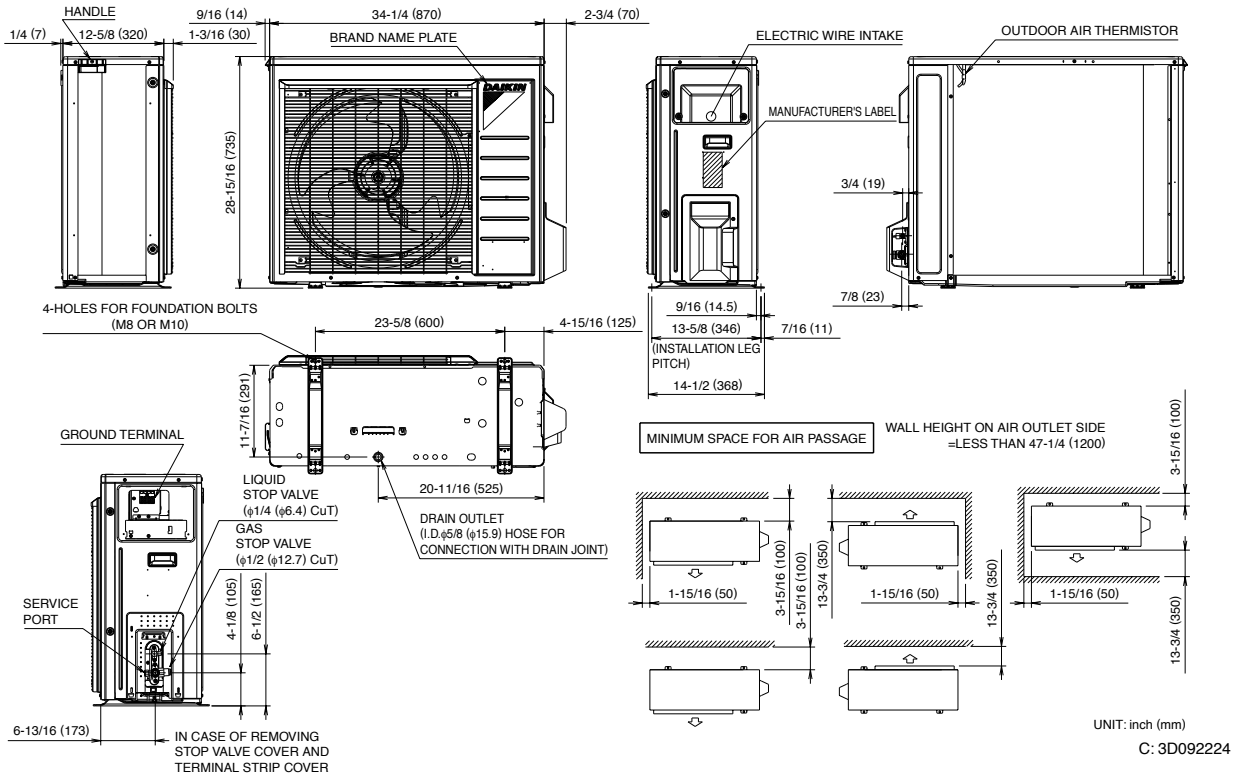
FTX24NMVJU



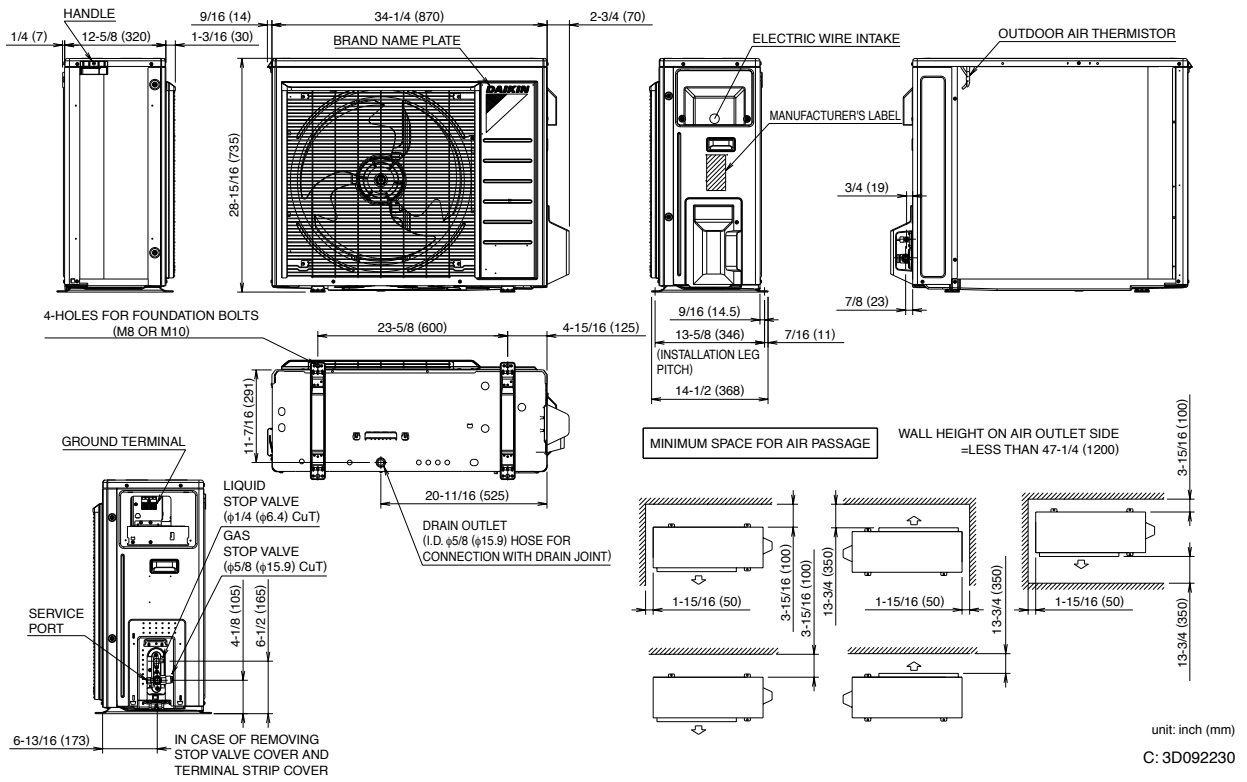
RK09/12NMVJU, RX09/12NMVJU



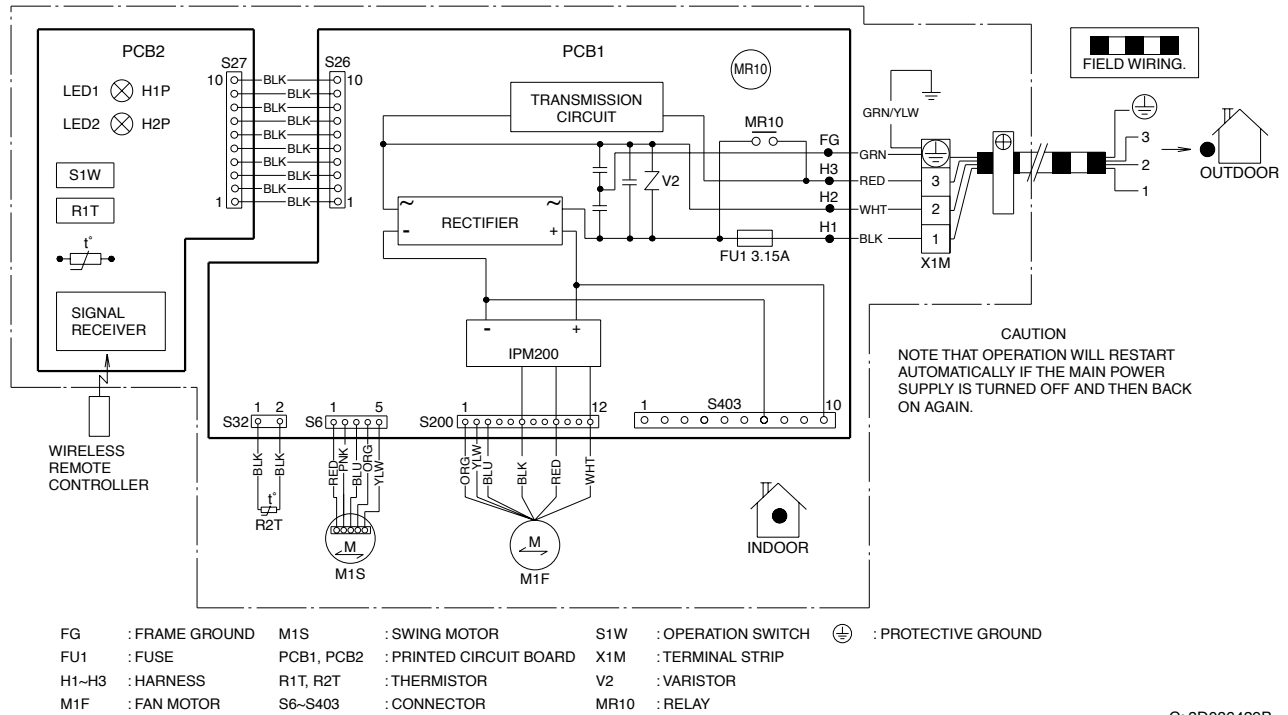
RK18NMVJU, RX18NMVJU



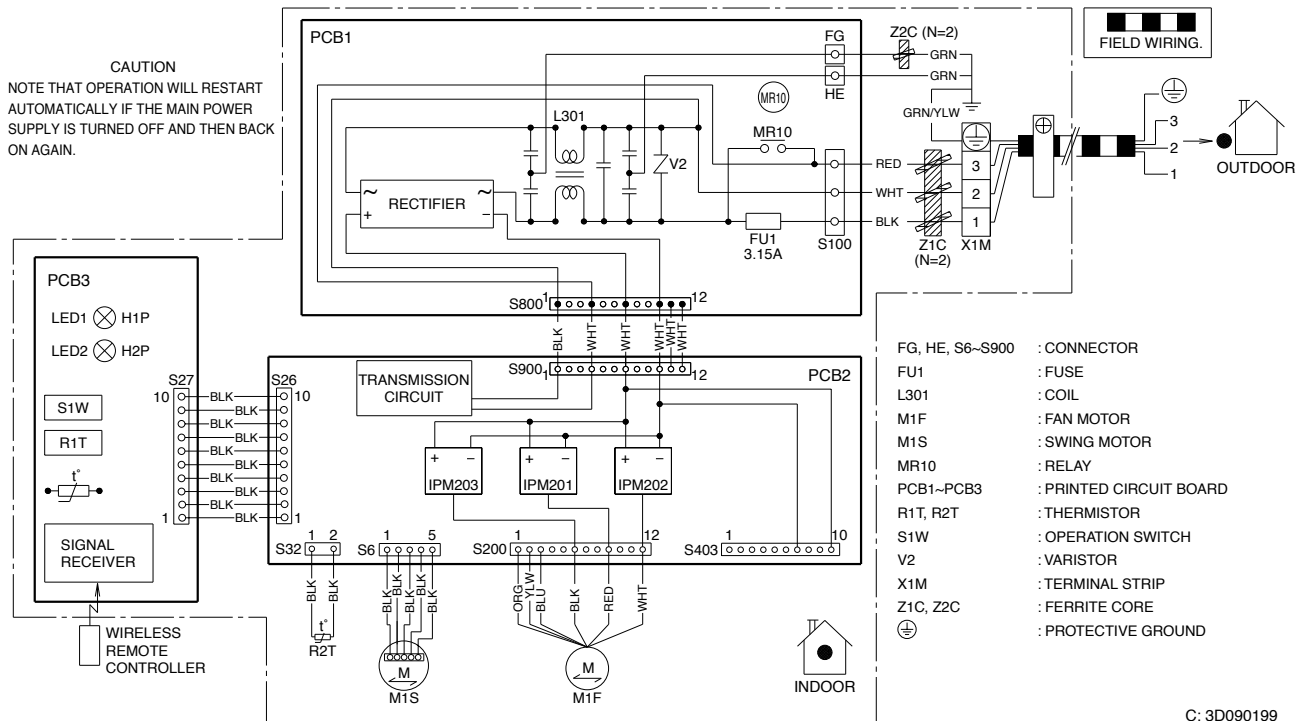
RK24NMVJU, RX24NMVJU



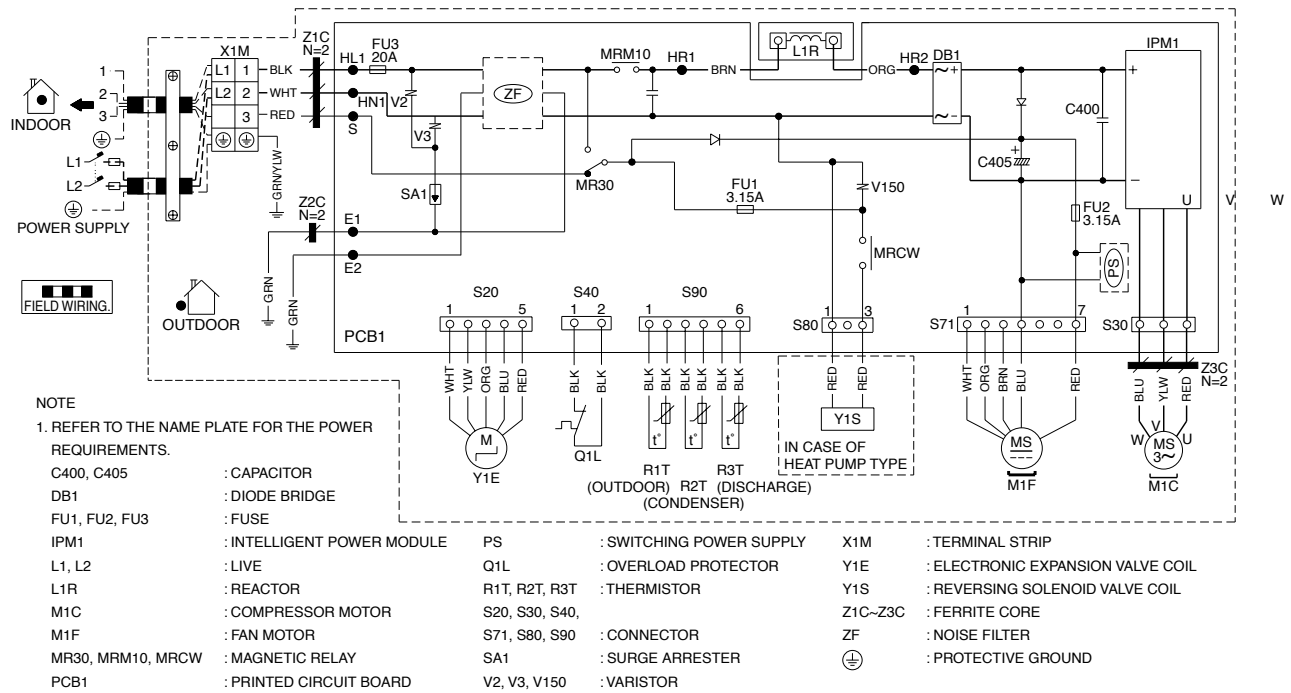
FTK09/12NMVJU, FTX09/12NMVJU



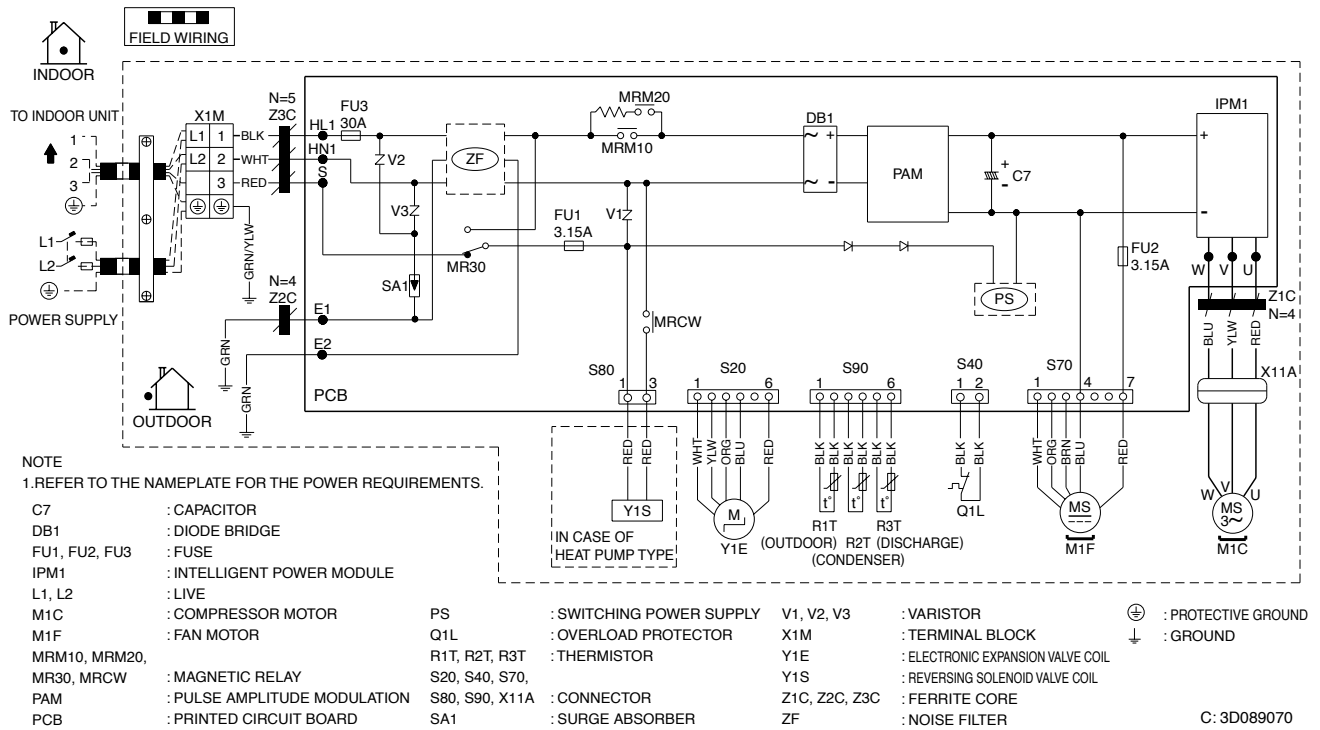
FTK18/24NMVJU, FTX18/24NMVJU



RK09/12NMVJU, RX09/12NMVJU



RK18/24NMVJU, RX18/24NMVJU



	ACCESSORY DESCRIPTION	PART NUMBERS	
		UNIT SIZES: 9 & 12	UNIT SIZES: 18 & 24
INDOOR UNIT	Wired remote controller & adaptor	BRC944B2 + KRP067A41	BRC944B2 + KRP980B2
	Cord for remote controller (3m)	BRCW901A03	BRCW901A03
	Cord for remote controller (8m)	BRCW901A08	BRCW901A08
	Five-room centralized controller	KRC72	KRC72
	Adopter PCB (normal open/normal open pulse contact)	KRP413AB1S + KRP067A41	KRP413AB1S + KRP980B2
	Titanium apatite photocatalytic air-purifying filter**	KAF970A46	KAF970A45 or KAF970A46**
	Remote controller loss prevention with chain	KKF936A4	KKF936A4
	Interface adaptor for DIII-NET use	KRP928BB2S + KRP067A41	KRP928BB2S + KRP980B2
	Central remote controller	DCS302C71	DCS302C71
	Unified ON/OFF controller	DCS301C71	DCS301C71
	Schedule timer	DST301BA61	DST301BA61
	Standard remote controller for AC units	ARC480A7	ARC480A7
	Standard remote controller for HP units	ARC480A6	ARC480A6
	ENVi - WiFi enabled controller	DACA-TS1-1 + KRP067A41	DACA-TS1-1 + KRP980B2
OUTDOOR UNIT	Air direction adjustment grille	KPW937E4	KPW063A4
	Drain plug*	KKP937A4	KKP937A4
	Back protection wire net	KKG067A41	KKG063A42
	Side protection wire net	N/A	KKG063A43

* Standard accessory (Drain plug is only for Heat Pump models)

** KAF970A46 filter without frame, KAF970A45 filter with frame

