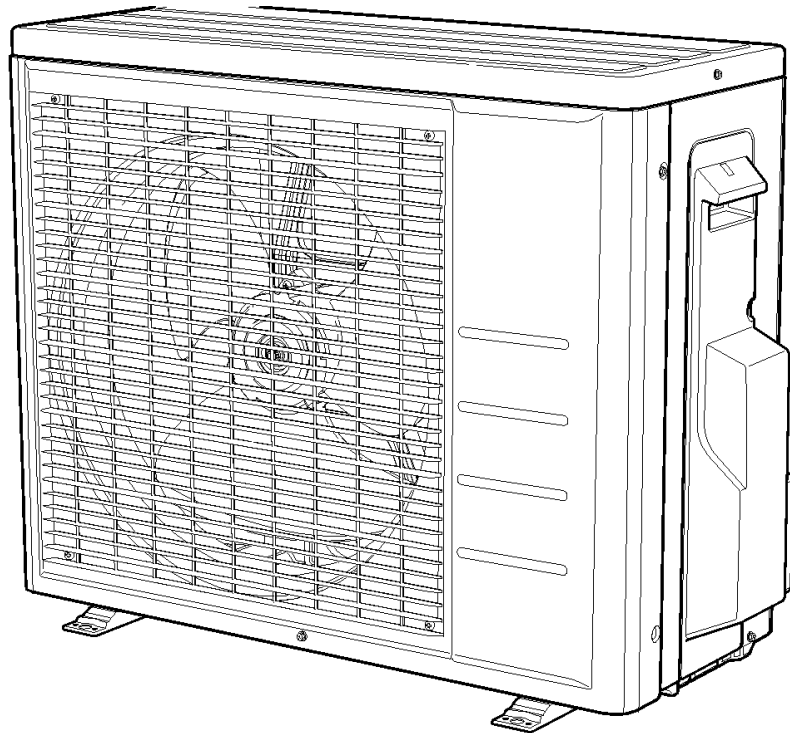


RKN Min-Split Condenser AC Outdoor Unit

RKN09KEVJUAA
RKN12KEVJUAA
RKN15KEVJUAA
RKN18KEVJUAA
RKN24KEVJUAA



This manual is to be used by qualified technicians only.

© 2013 Daikin Manufacturing Company, L.P. ♦ 5151 San Felipe St., Suite 500 ♦ Houston, TX 77056

Important Information

Index

Functional Parts List	3
Illustration and Parts	4 - 7

Views shown are for parts illustrations only, not servicing procedures.

Text Codes:

AR - As Required

NA - Not Available

NS - Not Shown

00000000 - See Note

QTY - Quantity Example (QTY 3) (If Quantity not shown, Quantity = 1)

M - Model Example (M1) (If M Code not shown, then part is used on all Models)

Expanded Model Nomenclature:

Example M1 - Model#1 M2 - Model#2 M3 - Model#3

Daikin Manufacturing Company, L.P. is not responsible for personal injury or property damage resulting from improper service. Review all service information before beginning repairs.

Warranty service must be performed by an authorized technician, using authorized factory parts. If service is required after the warranty expires, Daikin Manufacturing Company, L.P. also recommends contacting an authorized technician and using authorized factory parts.

Daikin Manufacturing Company, L.P. reserves the right to discontinue, or change at any time, specifications or designs without notice or without incurring obligations.

For assistance within the U.S.A. contact:

Consumer Affairs Department
Daikin North America, LLC
7401 Security Way
Houston, Texas 77040
855-770-5678-Telephone
713-863-2382-Facsimile

For assistance outside the U.S.A. contact:

International Division
Daikin North America, LLC
7401 Security Way
Houston, Texas 77040
713-861-2500-Telephone
713-863-2382-Facsimile

Functional Parts

Part

No: Description:

2050467	BODY/ FOUR-WAY VALVE ASSY. (M3, M4, M5)
1976263	DC FAN MOTOR (M1, M2)
1908037	DC FAN MOTOR (M3, M4, M5)
153875J	FUSE (M3, M4, M5)
131316J	FUSE (M1, M2)
153875J	FUSE (M3, M4, M5)
1903809	GAS STOP VALVE (M1, M2)
622423J	OVER-LOAD RELAY (M1, M2)
622423J	OVER-LOAD RELAY (M3, M4, M5)
2050506	PRINTED CIRCUIT ASSY. (CONTROL) (M4)
2050498	PRINTED CIRCUIT ASSY. (CONTROL) (M3)
2050481	PRINTED CIRCUIT ASSY. (CONTROL) (M5)
1978889	PRINTED CIRCUIT ASSY. (FILTER) (M1, M2)
2051383	PRINTED CIRCUIT ASSY. (FILTER) (M3, M4, M5)
2049979	PRINTED CIRCUIT ASSY. (MAIN)
2049962	PRINTED CIRCUIT ASSY. (MAIN) (M1)

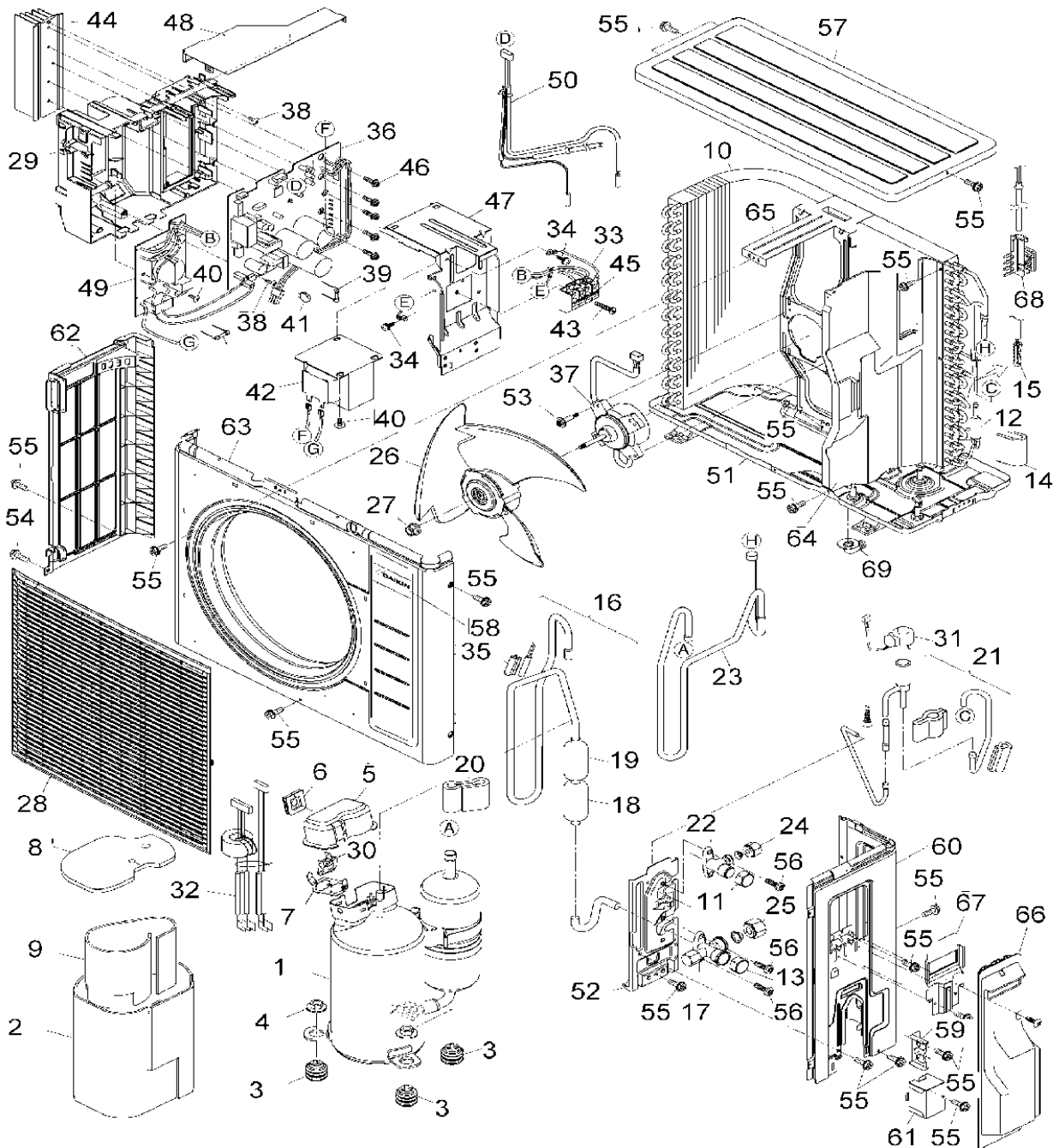
Expanded Model Nomenclature

M1 - RKN09KEVJUAA
M2 - RKN12KEVJUAA
M3 - RKN15KEVJUAA
M4 - RKN18KEVJUAA
M5 - RKN24KEVJUAA

RKN(09/12)KEVJU

RKN09KEVJU / RKN12KEVJU

— TOP —



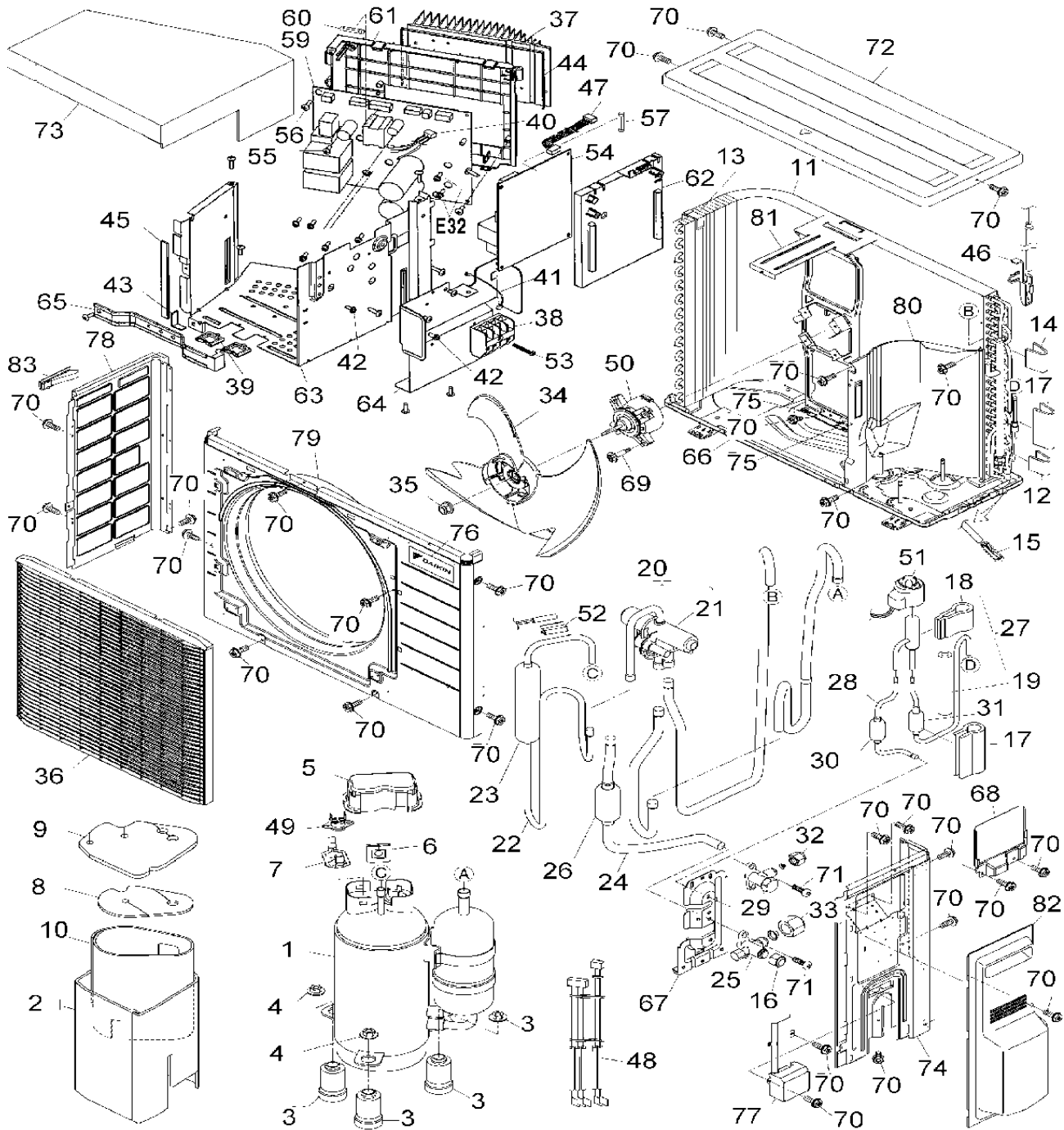
RKN(09/12)KEVJU

Ref. Part No:	No:	Description:	Ref. Part No:	No:	Description:					
<i>Image 1:</i>			<i>Image 1:</i>							
1	1839357	SWING COMPRESSOR (M1, M2)	57	1976270	TOP PLATE ASSY. (M1, M2)					
2	1754247	SOUND INSULATOR/ COMP. (EXTERNAL) (M1, M2)	58	1976869	NAMEPLATE DAIKIN (M1, M2)					
3	1753150	VIBRATION ISOLATOR (M1, M2)	59	1976922	CONDUIT MOUNTING PLATE (M1, M2)					
4	1753167	FLANGE NUT (M1, M2)	60	1976890	SIDE PLATE ASSY. (RIGHT) (M1, M2)					
5	1994766	TERMINAL COVER (M1, M2)	61	1976939	COVER/ CONDUIT MOUNTING PLATE (M1, M2)					
6	040139J	RUBBER BUSH/ LEAD WIRE (M1, M2)	62	1776463	SIDE PLATE (LEFT) (M1, M2)					
7	380620J	RETAINER/ OVER-LOAD RELAY (M1, M2)	63	1976852	FRONT PLATE ASSY. (M1, M2)					
8	1754254	SOUND INSULATOR/ COMP. (TOP) (M1, M2)	64	1978935	PARTITION PLATE ASSY. (M1, M2)					
9	1867509	SOUND INSULATOR/ COMP. (INTERNAL) (M1, M2)	65	1807785	MOTOR BASE (M1, M2)					
10	2051756	CROSS-FIN CONDENSER ASSY. (M1, M2)	66	1976908	STOP VALVE COVER ASSY. (M1, M2)					
11	1753314	VALVE CAP (M1, M2)	67	1976915	RADIATION SHIELD PLATE (M1, M2)					
12	154401J	MUFFLER (M1, M2)	68	2052076	THERMISTOR FIXTURE (M1, M2)					
13	045432J	VALVE CAP (M1, M2)	69	058956J	DRAIN JOINT (M1, M2)					
14	1855979	PUTTY (M1, M2)	Expanded Model Nomenclature							
15	380120J	FITTING SPRING/ THERMISTOR (M1, M2)	<table border="1"> <tr> <td>M1 - RKN09KEVJUAA</td> </tr> <tr> <td>M2 - RKN12KEVJUAA</td> </tr> <tr> <td>M3 - RKN15KEVJUAA</td> </tr> <tr> <td>M4 - RKN18KEVJUAA</td> </tr> <tr> <td>M5 - RKN24KEVJUAA</td> </tr> </table>			M1 - RKN09KEVJUAA	M2 - RKN12KEVJUAA	M3 - RKN15KEVJUAA	M4 - RKN18KEVJUAA	M5 - RKN24KEVJUAA
M1 - RKN09KEVJUAA										
M2 - RKN12KEVJUAA										
M3 - RKN15KEVJUAA										
M4 - RKN18KEVJUAA										
M5 - RKN24KEVJUAA										
16	NA	GAS STOP VALVE ASSY. (M1, M2)								
17	1903809	GAS STOP VALVE (M1, M2)								
18	160017J	MUFFLER (M1, M2)								
19	1807576	MUFFLER (M1, M2)								
20	2072102	PUTTY (M1, M2)								
21	2060022	MOTOR OPERATED VALVE ASSY. (M1, M2)								
22	1990834	LIQUID STOP VALVE ASSY. (M1, M2)								
23	NA	DISCHARGE PIPE ASSY. (M1, M2)								
24	119847J	FLARE NUT (M1, M2)								
25	008034J	FLARE NUT (M1, M2)								
26	1976225	FAN BLADE ASSY. (M1, M2)								
27	847002J	LOCK NUT/ FAN BLADE (M1, M2)								
28	1976876	DISCHARGE GRILLE ASSY. (M1, M2)								
29	1976232	SWITCH BOX (M1, M2)								
30	622423J	OVER-LOAD RELAY (M1, M2)								
31	1851946	COIL/ MOTORIZED EXP. VALVE (M1, M2)								
32	1978904	WIRE HARNESS (M1, M2)								
33	1807691	GROUNDING WIRE (M1, M2)								
34	113783J	GROUNDING TIP (W/WASHER) (M1, M2)								
35	1754090	THERMISTOR FIXTURE (M1, M2)								
36	2049962	PRINTED CIRCUIT ASSY. (MAIN) (M1)								
36	2049979	PRINTED CIRCUIT ASSY. (MAIN)								
37	1976263	DC FAN MOTOR (M1, M2)								
38	1990959	TRUSS HEAD TAPPING SCREW (M1, M2)								
39	131316J	FUSE (M1, M2)								
40	1990966	TRUSS HEAD TAPPING SCREW (M1, M2)								
41	113954J	VARISTOR (M1, M2)								
42	2049986	REACTOR (M1, M2)								
43	1839504	PAN HEAD TAPPING SCREW (M1, M2)								
44	NA	HEAT SINK (M1, M2)								
45	156720J	TERMINAL BLOCK (M1, M2)								
46	080611J	MACHINE SCREW (M1, M2)								
47	1976249	SET PLATE 1/ ELECTRIC DEVICE (M1, M2)								
48	1976256	SET PLATE 2/ ELECTRIC DEVICE (M1, M2)								
49	1978889	PRINTED CIRCUIT ASSY. (FILTER) (M1, M2)								
50	1978896	THERMISTOR ASSY. (M1, M2)								
51	1753422	BOTTOM FRAME ASSY. (M1, M2)								
52	2050001	MOUNTING PLATE/ STOP VALVE (M1, M2)								
53	147362J	TRUSS HEAD TAPPING SCREW (M1, M2)								
54	1990841	TRUSS HEAD TAPPING SCREW (M1, M2)								
55	1990858	TRUSS HEAD TAPPING SCREW (M1, M2)								
56	048017J	PAN HEAD TAPPING SCREW (3) (M1, M2)								

RKN(15/18/24)KEVJU

RKN15KEVJU / RKN18KEVJU / RKN24KEVJU

— TOP —



RKN(15/18/24)KEVJU

Ref. Part No:	No:	Description:	Ref. Part No:	No:	Description:
<i>Image 1:</i>			<i>Image 1:</i>		
1	1703496	SWING COMPRESSOR (M3, M4, M5)	56	121650J	GROUNDING TERMINAL (M3, M4, M5)
2	2051066	SOUND INSULATION (OUTER BODY) (M3, M4, M5)	57	153875J	FUSE (M3, M4, M5)
3	128989J	VIBRATION ISOLATOR (M3, M4, M5)	58	131073J	PAN HEAD MACHINE SCREW (M3, M4, M5)
4	390214J	NUT WITH WASHER (M3, M4, M5)	59	2050481	PRINTED CIRCUIT ASSY. (CONTROL) (M5)
5	126264J	TERMINAL COVER (M3, M4, M5)	59	2050498	PRINTED CIRCUIT ASSY. (CONTROL) (M3)
6	040139J	RUBBER BUSH/ LEAD WIRE (M3, M4, M5)	59	2050506	PRINTED CIRCUIT ASSY. (CONTROL) (M4)
7	380620J	RETAINER/ OVER-LOAD RELAY (M3, M4, M5)	60	153875J	FUSE (M3, M4, M5)
8	2051028	SOUND INSULATION (MID TOP) (M3, M4, M5)	61	2051415	PCB MOUNTING PLATE (MAIN) (M3, M4, M5)
9	2051035	SOUND INSULATION (TOP) (M3, M4, M5)	62	2051422	PCB MOUNTING PLATE (FILTER) (M3, M4, M5)
10	2051042	SOUND INSULATION (INNER BODY) (M3, M4, M5)	63	2051439	EL. DEVICE MOUNTING PLATE (M3, M4, M5)
11	2052090	CROSS-FIN CONDENSER ASSY. (M3, M4, M5)	64	2051446	MOUNTING PLATE (TERMINAL STRIP) (M3, M4, M5)
12	NA	PUTTY (M3, M4, M5)			
13	2072119	HEAT EXCHANGER FIXTURE (M3, M4, M5)	65	2051453	REINFORCE PLATE (M3, M4, M5)
14	NA	PUTTY (M3, M4, M5)	66	2051554	BOTTOM FRAME (M3, M4, M5)
15	380120J	FITTING SPRING/ THERMISTOR (M3, M4, M5)	67	2048673	MOUNTING PLATE/ STOP VALVE (M3, M4, M5)
16	1753314	VALVE CAP (M3, M4, M5)	68	2050520	SHIELD PLATE (M3, M4, M5)
17	1855979	PUTTY (M3, M4, M5)	69	140380J	TAPPING SCREW (M3, M4, M5)
18	1908897	PUTTY (M3, M4, M5)	70	1990858	TRUSS HEAD TAPPING SCREW (M3, M4, M5)
19	2072126	THERMAL INSULATION TUBE (M3, M4, M5)	71	048017J	PAN HEAD TAPPING SCREW (3) (M3, M4, M5)
20	NA	FOUR-WAY VALVE ASSY. (M3, M4, M5)	72	2048604	TOP PLATE (M3, M4, M5)
21	2050467	BODY/ FOUR-WAY VALVE ASSY. (M3, M4, M5)	73	2051600	COVER/ DRIP PROOF (M3, M4, M5)
22	NA	DISCHARGE PIPE ASSY. (M3, M4, M5)	74	2048611	SIDE PLATE (RIGHT) (M3, M4, M5)
23	1522952	MUFFLER (M3, M4, M5)	75	2051617	CUSHION RUBBER (M3, M4, M5)
24	NA	GAS STOP VALVE ASSY. (M3, M4, M5)	76	NA	BRAND NAME LABEL (M3, M4, M5)
25	2057482	GAS STOP VALVE ASSY. (SUB) (M3, M4, M5)	77	2050537	CONDUIT MOUNTING PLATE ASSY. (M3, M4, M5)
26	1708895	MUFFLER (M3, M4, M5)	78	2048635	SIDE PLATE (LEFT) (M3, M4, M5)
27	2061001	MOTOR OPERATED VALVE ASSY. (M3, M5)	79	2057848	FRONT PLATE ASSY. (M3, M4, M5)
28	NA	LIQUID STOP VALVE ASSY. (M3, M4, M5)	80	2051578	PARTITION PLATE (M3, M4, M5)
29	2057499	LIQUID STOP VALVE ASSY. (SUB) (M3, M4, M5)	81	2051585	FAN MOTOR STAND (M3, M4, M5)
30	138233J	MUFFLER (M3, M4, M5)	82	2048697	COVER/ STOP VALVE (M3, M4, M5)
31	138233J	MUFFLER (M3, M4, M5)	83	2048565	HANDLE (LEFT) (M3, M4, M5)
32	119847J	FLARE NUT (M3, M4, M5)	Expanded Model Nomenclature		
33	119849J	FLARE NUT (M3, M4, M5)	M1 - RKN09KEVJUAA M2 - RKN12KEVJUAA M3 - RKN15KEVJUAA M4 - RKN18KEVJUAA M5 - RKN24KEVJUAA		
34	2048510	FAN BLADE ASSY. (M3, M4, M5)			
35	847002J	LOCK NUT/ FAN BLADE (M3, M4, M5)			
36	2050474	DISCHARGE GRILLE ASSY. (M3, M4, M5)			
37	NA	HEAT SINK (M3, M4, M5)			
38	156720J	TERMINAL BLOCK (M3, M4, M5)			
39	0947084	EDGE SADDLE (M3, M4, M5)			
40	2051460	THERMISTOR ASSY. (M3, M4, M5)			
41	2051477	EARTH WIRE (M3, M4, M5)			
42	113783J	GROUNDING TIP (W/WASHER) (M3, M4, M5)			
43	2051484	SEALING MATERIAL (SWITCH BOX) 1 (M3, M4, M5)			
44	2051491	SEALING MATERIAL (SWITCH BOX) 2 (M3, M4, M5)			
45	2051509	SEALING MATERIAL (SWITCH BOX) 3 (M3, M4, M5)			
46	128511J	FIXTURE/ THERMISTOR (M3, M4, M5)			
47	2051516	WIRE HARNESS (M3, M4, M5)			
48	2051523	WIRE HARNESS (COMP.) (M3, M4, M5)			
49	622423J	OVER-LOAD RELAY (M3, M4, M5)			
50	1908037	DC FAN MOTOR (M3, M4, M5)			
51	2051530	COIL/ MOTORIZED EXP. VALVE (M3, M4, M5)			
52	1728781	FIXTURE/ THERMISTOR (M3, M4, M5)			
53	1839504	PAN HEAD TAPPING SCREW (M3, M4, M5)			
54	2051383	PRINTED CIRCUIT ASSY. (FILTER) (M3, M4, M5)			
55	109688J	GROUNDING TERMINAL (M3, M4, M5)			