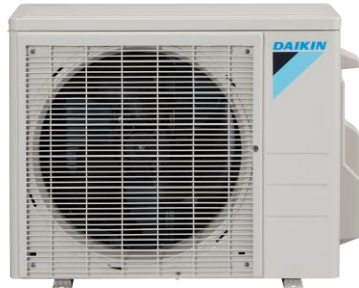


Job Name:	
Tag#	



<b>Submittal Data Sheet</b>	<b>FTKN18NMVJU / RKN18NMVJU</b>
1.5-Ton Wall Mounted Cooling Only System	



Efficiency	
Cooling	
SEER	15
EER	11.0

Performance	
Cooling (Btu/hr)	
Rated Min/Max	17,100 (4,400 / 18,000)
Sensible @ AHRI	14,130
Moisture Removal gal/h	1.0
Operating Range	50°F – 115°F
Rated Cooling Conditions:	Indoor: 80°F DB/67°F WB Outdoor: 95°F DB/75°F WB

Complete warranty details available from your local dealer or at [www.daikincomfort.com](http://www.daikincomfort.com). To receive the 10-Year Parts Limited Warranty, online registration must be completed within 60 days of installation. Online registration is not required in California or Quebec. If product is installed in a commercial application, limited warranty period is 5 years.

Indoor Specifications		
Airflow Rate (cfm)	Cooling	
	H	M
	713	579
	L	SL
455	417	
Sound (dBA) H / M / L / SL	48 / 44 / 38 / 33	
Dimensions (H x W x D) (in)	11-5/8 x 39 x 10-3/8	
Weight (Lbs)	27	

Electrical		
	208/60/1	230/60/1
System MCA	9.5	9.5
System MFA	15	15
Compressor RLA	8.5	8.5
Outdoor fan motor FLA	.38	.38
Outdoor fan motor W	58	58
Indoor fan motor FLA	.30	.30
Indoor fan motor W	46	46

MFA: Max. fuse amps MCA: Min. circuit amps (A) FLA: Full load amps (A)  
RLA: Rated load amps (A) W: Fan motor rated output (W)

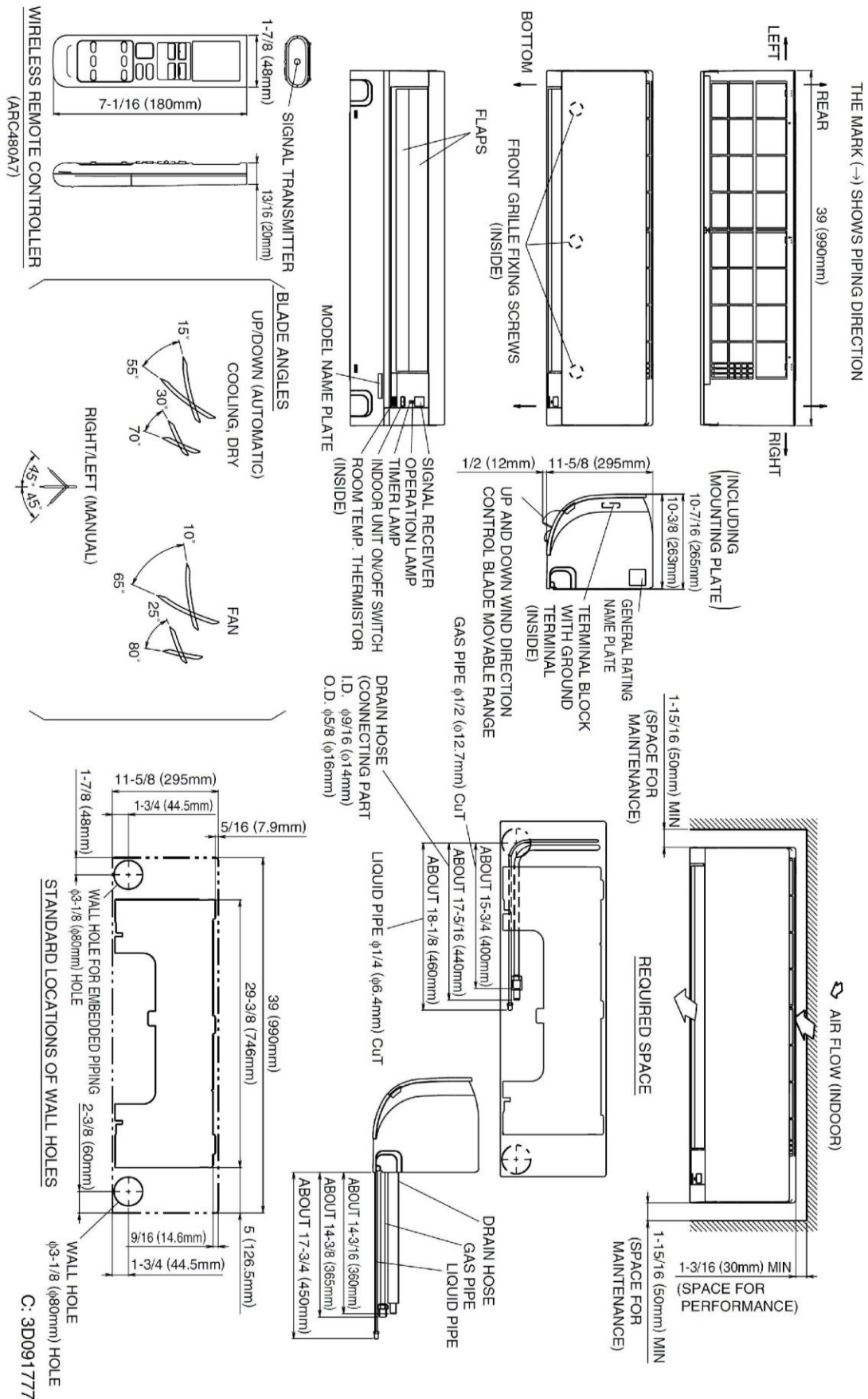
Outdoor Specifications		
Compressor	Hermetically Sealed Swing Type	
Refrigerant	R-410A	
Refrigerant Oil	PVE (FVC50K)	
Airflow Rate (cfm)	Cooling	
	H	2,313
	SL	1,840
Sound Power Level (dBA)	52	
Dimensions (H x W x D) (in)	28-15/16 x 34-1/4 x 12-5/8	
Weight (Lbs)	90	

Piping	
Liquid (in)	1/4
Gas (in)	1/2
Drain (in)	5/8
Max. Interunit Piping Length (ft)	98.4
Max. Interunit Height Difference (ft)	65.625
Chargeless (ft)	32.8
Additional Charge of Refrigerant (oz/ft)	.21

Daikin North America LLC 5151 San Felipe, Suite 500 Houston, TX 77056

(Daikin's products are subject to continuous improvements. Daikin reserves the right to modify product design, specifications and information in this data sheet without notice and without incurring any obligations)

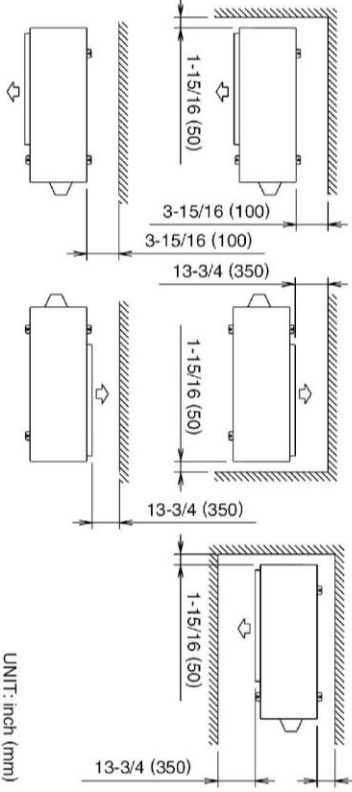
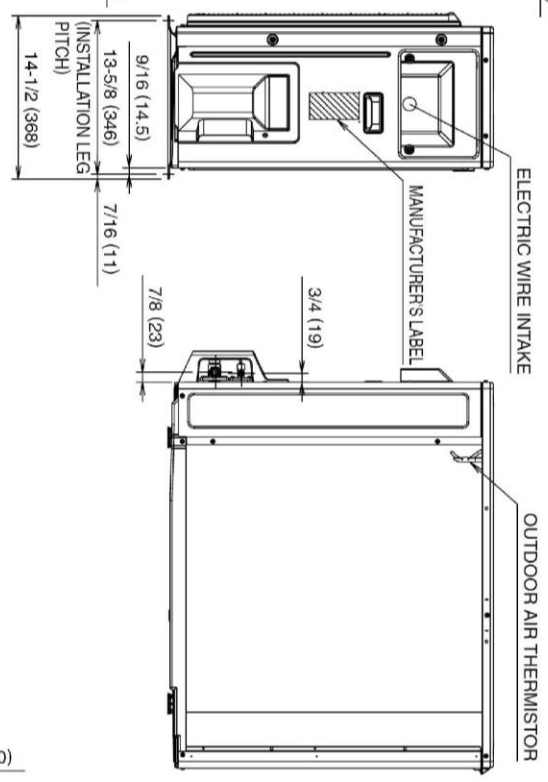
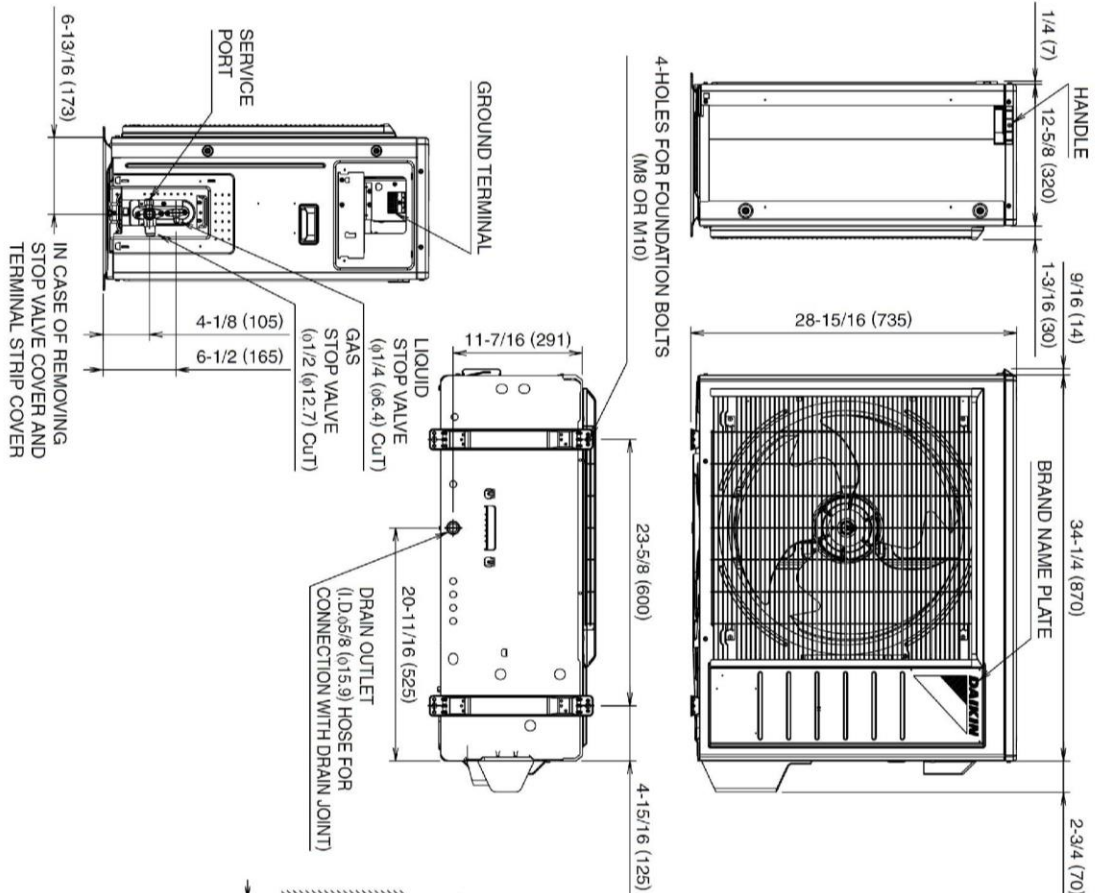
# FTKN18NMVJU Dimensional Data



Daikin North America LLC 5151 San Felipe, Suite 500 Houston, TX 77056

(Daikin's products are subject to continuous improvements. Daikin reserves the right to modify product design, specifications and information in this data sheet without notice and without incurring any obligations)

# RKN18NMVJU Dimensional Data



UNIT: inch (mm)  
C: 3D092224

Daikin North America LLC 5151 San Felipe, Suite 500 Houston, TX 77056

(Daikin's products are subject to continuous improvements. Daikin reserves the right to modify product design, specifications and information in this data sheet without notice and without incurring any obligations)

Submittal Creation Date: June 2017

Indoor Unit		
Included	Part Number	Description
	BRP072A43	Wireless Interface Adapter (S21 Adapter Included)
	DACA-TS1-1	Daikin ENVi Intelligent Thermostat Kit (Adaptor Required)
	BRC944B2-A08	Wired Remote Controller kit (Adaptor Required)
	BRCW901A08	Wired Remote Controller Cord - 8m (Included in above kit)
	DACA-BRCW901P10	Remote Controller Cable, Plenum Rated, 10 ft
	DACA-BRCW901P25	Remote Controller Cable, Plenum Rated, 25 ft
	KRP980B2	Adaptor for wired remote controller (18 & 24)
	KAF970A45	Titanium apatite photocatalytic air-purifying filter WITH frame
	KAF970A46	Titanium apatite photocatalytic air-purifying filter WITHOUT frame
	DACA-CP1-1	Condensate Pump (Fits inside all Daikin indoor unit heads)
	DACA-CP4-1	External Condensate Pump
	KRP928BB2S + KRP980B2	Interface adaptor for DIII-NET

Outdoor Unit		
Included	Part Number	Description
	DACA-WB-1	Powder-Coated Wall-Mounted Bracket
	KPW063A4	Air direction adjustment grille (18 & 24)
	KKG063A42	Back protection wire net (18 & 24)
	KKG063A43	Side protection wire net (18 & 24)
	KKP937A4	Drain Plug for OD Unit