



Submittal Data Sheet

0.75-Ton Wall Mounted Unit

FTXS09LVJURXS09LVJU

FEATURES

- Intelligent eye occupancy sensor
- Weekly timer for programmable comfort
- Low ambient heat operation down to 0° F
- 12 year limited parts and compressor warranty with online registration

BENEFITS

- Quiet operation

INDOOR UNIT



OUTDOOR UNIT





Submittal Data Sheet

0.75-Ton Wall Mounted Unit

FTXS09LVJURXS09LVJU

SYSTEM PERFORMANCE

Indoor Unit Model No.	FTXS09LVJU	Indoor Unit Name:	FTXS09LVJU
Outdoor Unit Model No.	RXS09LVJU	Outdoor Unit Name:	RXS09LVJU
Rated Cooling Capacity (Btu/hr):	9,000	Rated Cooling Conditions:	Indoor (°F DB/WB): 80 / 67 Ambient (°F DB/WB): 95 / 75
Sensible Capacity (Btu/hr):	8,100	Rated Piping Length(ft):	
Max/Min Cooling Capacity (Btu/hr):	10,600 / 4,400	Rated Height Difference (ft):	49.20
Cooling Input Power (kW):	0.590	Rated Heating Conditions:	Indoor (°F DB/WB): 70 / 70 Ambient (°F DB/WB): 47 / 43
SEER (Non-Ducted/Ducted):	24.50 /	HSPF (Non-Ducted/Ducted):	12.5 /
EER (Non-Ducted/Ducted):	15.30 /	Heating COP (Non-Ducted/Ducted):	4.5 /
Rated Heating Capacity (Btu/hr):	12,000		
Max/Min Heating Capacity (Btu/hr):	15,600 / 4,400		
Heating Input Power (kW):	0.79		

SYSTEM DETAILS

Refrigerant Type:	R-410A	Cooling Operation Range (°F DB):	14 - 115
Holding Refrigerant Charge (lbs):	2.4	Heating Operation Range (°F WB):	5 - 64
Additional Charge (lb/ft):	0.21	Max. Pipe Length (Vertical) (ft):	
Pre-charge Piping (Length) (ft):		Cooling Range w/Baffle (°F DB):	0 - 115
Max. Pipe Length (Total) (ft):	66	Heating Range w/Baffle (°F WB):	0 - 77
Max Height Separation (Ind to Ind ft):	49		



Submittal Data Sheet

0.75-Ton Wall Mounted Unit

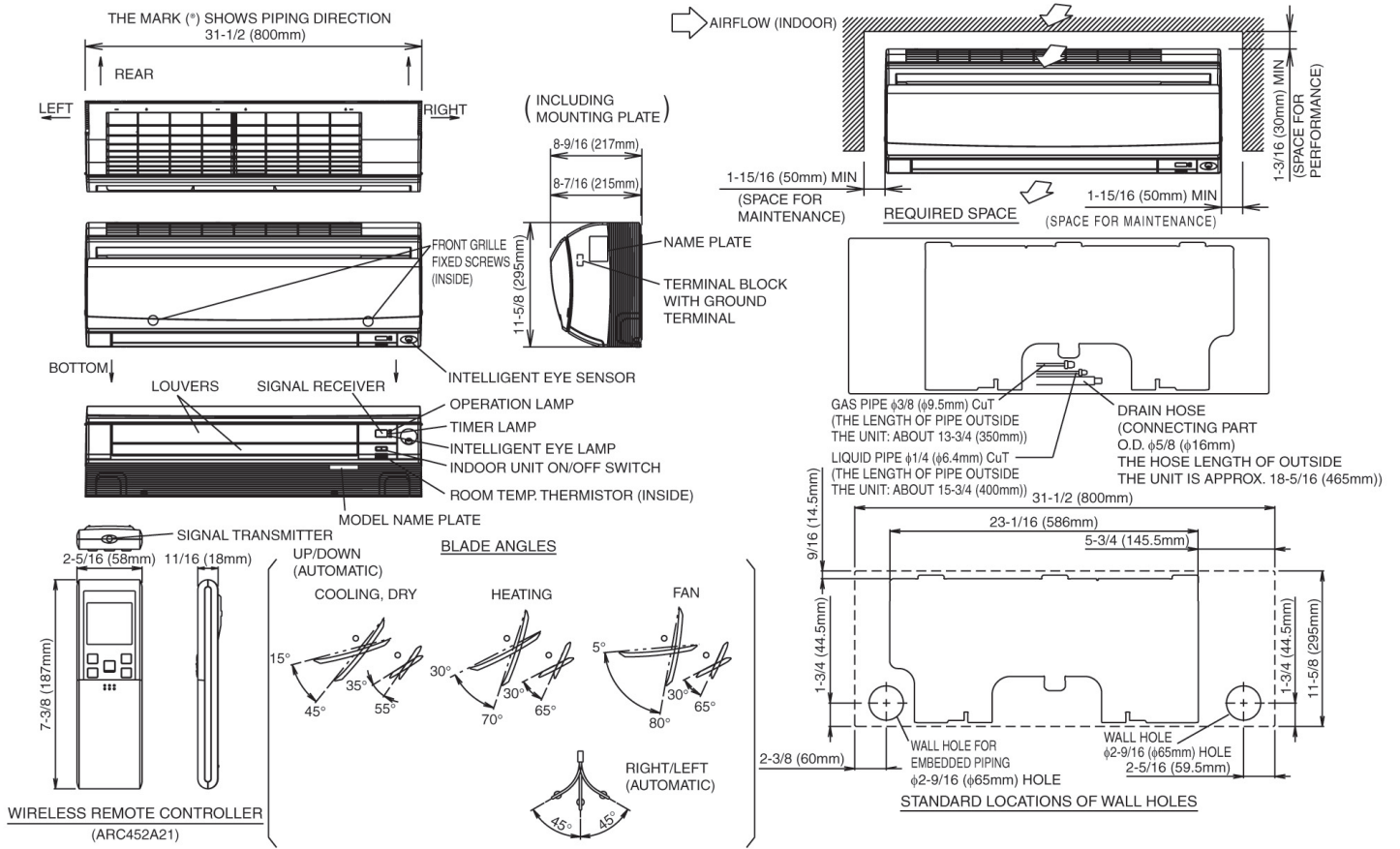
FTXS09LVJURXS09LVJU

INDOOR UNIT DETAILS

Power Supply (V/Hz/Ph):	208-230 / 60 / 1	Airflow Rate (H/M/L/SL) (CFM):	381/279/194/145
Power Supply Connections:	L1, L2, Ground	Moisture Removal (Gal/hr):	2.4
Min. Circuit Amps MCA (A):		Gas Pipe Connection (inch):	3/8
Max Overcurrent Protection (MOP) (A):		Liquid Pipe Connection (inch):	1/4
Dimensions (HxWxD) (in):	11-5/8 x 31-1/2 x 8-7/16	Condensate Connection (inch):	5/8
Panel (HxWxD) (in):		Sound Pressure (H/M) (dBA):	41/22
Net Weight (lb):	20	Sound Power Level (dBA):	
Panel Weight (lb):		Ext. Static Pressure (Rated/Max) (inWg):	0.00 / 0.00

DIMENSIONAL DRAWING - INDOOR UNIT

FTXS09,12LVJU



Daikin North America LLC, 5151 San Felipe, Suite 500, Houston, TX, 77056

Daikin City Generated Submittal Data

www.daikinac.com www.daikincomfort.com

(Daikin's products are subject to continuous improvements. Daikin reserves the right to modify product design, specifications and information in this data sheet without notice and without incurring any obligations)



Submittal Data Sheet

0.75-Ton Wall Mounted Unit

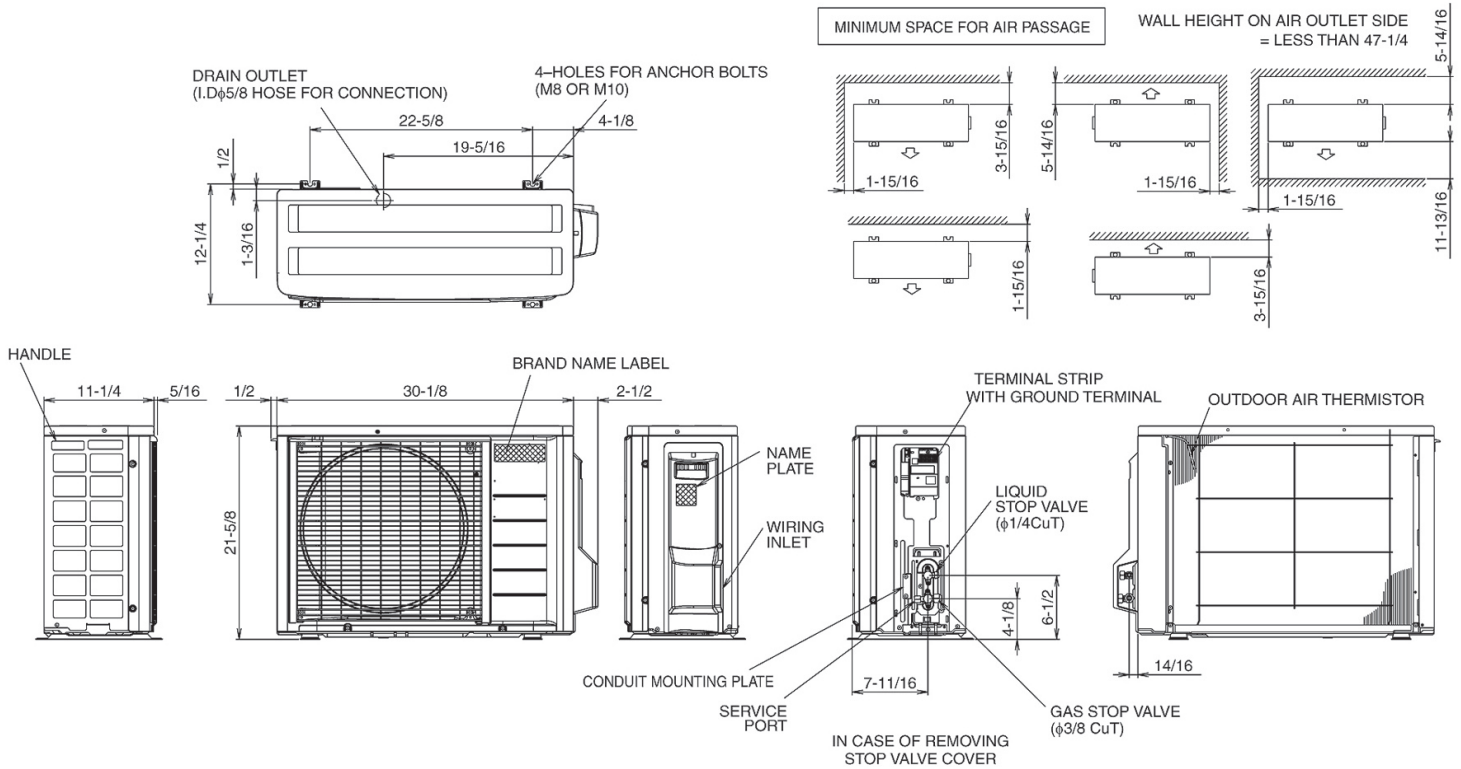
FTXS09LVJURXS09LVJU

OUTDOOR UNIT DETAILS

Power Supply (V/Hz/Ph):	208-230 / 60 / 1	Compressor Type:	Inverter
Power Supply Connections:	L1, L2, Ground	Capacity Control Range (%):	-
Min. Circuit Amps MCA (A):	8.00	Airflow Rate (H) (CFM):	1,102
Max Overcurrent Protection (MOP) (A):	15.00	Gas Pipe Connection (inch):	3/8
Max Starting Current MSC(A):		Liquid Pipe Connection (inch):	1/4
Rated Load Amps RLA(A):	3.7	Sound Pressure (H) (dBA):	47
Dimensions (HxWxD) (in):	21-5/8 x 30-1/8 x 11-1/4	Sound Power Level (dBA):	63
Net Weight (lb):	75		

DIMENSIONAL DRAWING - OUTDOOR UNIT

RXS09/12D(A)VJU
Unit (in.)



Daikin North America LLC, 5151 San Felipe, Suite 500, Houston, TX, 77056

Daikin City Generated Submittal Data

www.daikinac.com www.daikincomfort.com

(Daikin's products are subject to continuous improvements. Daikin reserves the right to modify product design, specifications and information in this data sheet without notice and without incurring any obligations)