

Project Name: \_\_\_\_\_  
 Location: \_\_\_\_\_  
 Engineer: \_\_\_\_\_  
 Submitted to: \_\_\_\_\_  
 Submitted by: \_\_\_\_\_  
 Reference: \_\_\_\_\_

Approval: \_\_\_\_\_  
 Date: \_\_\_\_\_  
 Construction: \_\_\_\_\_  
 Unit #: \_\_\_\_\_  
 Drawing #: \_\_\_\_\_

## Performance

Indoor Unit Model No: FTXS12HVJU  
 Outdoor Unit Model No: RXS12DAVJU  
 Cooling Capacity (Btu/hr): 11500  
 Sensible Capacity (Btu/hr): 7360  
 Cooling Input Power (kW): 1.33  
 Cooling EER (Btu/hr / kW): 9.3  
 SEER: 16  
 Heating Capacity (Btu/hr): 11500  
 Heating Input Power (kW): 1.04  
 Heating COP (Btu/hr / Btu/hr): 3.37  
 HSPF: 8.8

Indoor Unit Type: Wall Mounted  
 Condensing Unit Type: High SEER Heat Pump  
 Cooling Nominal Conditions: Indoor: 80°F DB/67°F WB  
 Outdoor: 95°F DB/75°F WB  
 Water Cooled:  
 Heating Nominal Conditions: Indoor: 47°F DB/43°F WB  
 Outdoor: 47°F DB/43°F WB  
 Water Cooled:  
 Nominal Piping Length: 25  
 Nominal Height Separation: 0  
 Nominal Water Flow Rate: \_\_\_\_\_

## Indoor Unit Details

Power Supply (V/Hz/Ph): 208-230/60/1ph  
 Power Supply Connections: L1, L2, Ground  
 Min. Circuit Amps MCA (A): N/A  
 Max. Fusible Amps MFA (A): N/A  
 Dimensions (HxWxD): 10-3/4x30-7/8x7-11/16  
 Panel (HxWxD): N/A  
 Net Weight (lbs): 16.6  
 Weight with Panel (lbs): \_\_\_\_\_

Airflow Rate (CFM wet coil): 242/195/148  
 Moisture Removal (pt/h): 3.2  
 Gas Pipe Connection (inch): 3/8  
 Liquid Pipe Connection (inch): 1/4  
 Condensate Connection (inch): 11/16  
 Sound Pressure Level (dBA): 40  
 Sound Power Level (dBA): \_\_\_\_\_  
 Nominal External Static Pressure (inH2O): 0  
 Max Ext Static Pressure (inH2O): 0

## Condensing Unit Details

Power Supply (V/Hz/Ph): 208-230/60/1ph  
 Power Supply Connections: L1, L2, Ground  
 Min. Circuit Amps MCA (A): 7.9  
 Max. Fusible Amps MFA (A): 15  
 Max. Starting Current MSC(A): \_\_\_\_\_  
 Rated Load Amps RLA (A): 6  
 Total Overcurrent Amps (A): \_\_\_\_\_  
 Dimensions (HxWxD): 21-5/8x30-1/8x11-1/4  
 Net Weight (lbs): 80  
 Compressor Type: Inverter  
 Capacity Control Range (%): \_\_\_\_\_  
 Capacity Index Limit: \_\_\_\_\_

Airflow Rate (CFM): 1031  
 Gas Pipe Connection (inch): 3/8  
 Liquid Pipe Connection (inch): 1/4  
 H/L Pressure Connection (inch): \_\_\_\_\_  
 H/L Equalizing Connection (inch): \_\_\_\_\_  
 Water Inlet Connection (inch FPT): \_\_\_\_\_  
 Water Outlet Connection (inch FPT): \_\_\_\_\_  
 Condensate Drain Outlet (inch FPS): \_\_\_\_\_  
 Sound Pressure Level (dBA): 49  
 Sound Power Level (dBA): \_\_\_\_\_  
 Unit Heat Rejection (kW): \_\_\_\_\_  
 Max. No. of Indoor Units: \_\_\_\_\_

## System Details

Refrigerant Type: R-410A  
 Holding Refrigerant Charge (lbs): 2.2  
 Additional Charge (oz/ft): 0.22  
 Pre-charge Piping (Length ft): 33 ft  
 Max. Pipe Length (Total ft): 65 ft  
 Max. Pipe Length (Vertical ft): 49 ft

Cooling Operation Range (°F): 14 - 115  
 Cooling Range w/Baffle (°F): 0 - 115  
 Heating Operation Range (°F): 5 - 77  
 Heating Range w/Baffle (°F): 0 - 77  
 Cooling Inlet Water Temp (°F): \_\_\_\_\_  
 Heating Inlet Water Temp (°F): \_\_\_\_\_  
 Water Flow Range (GPM): \_\_\_\_\_

# Submittal Data Sheet

Project Name: \_\_\_\_\_  
Location: \_\_\_\_\_  
Engineer: \_\_\_\_\_  
Submitted to: \_\_\_\_\_  
Submitted by: \_\_\_\_\_  
Reference: \_\_\_\_\_

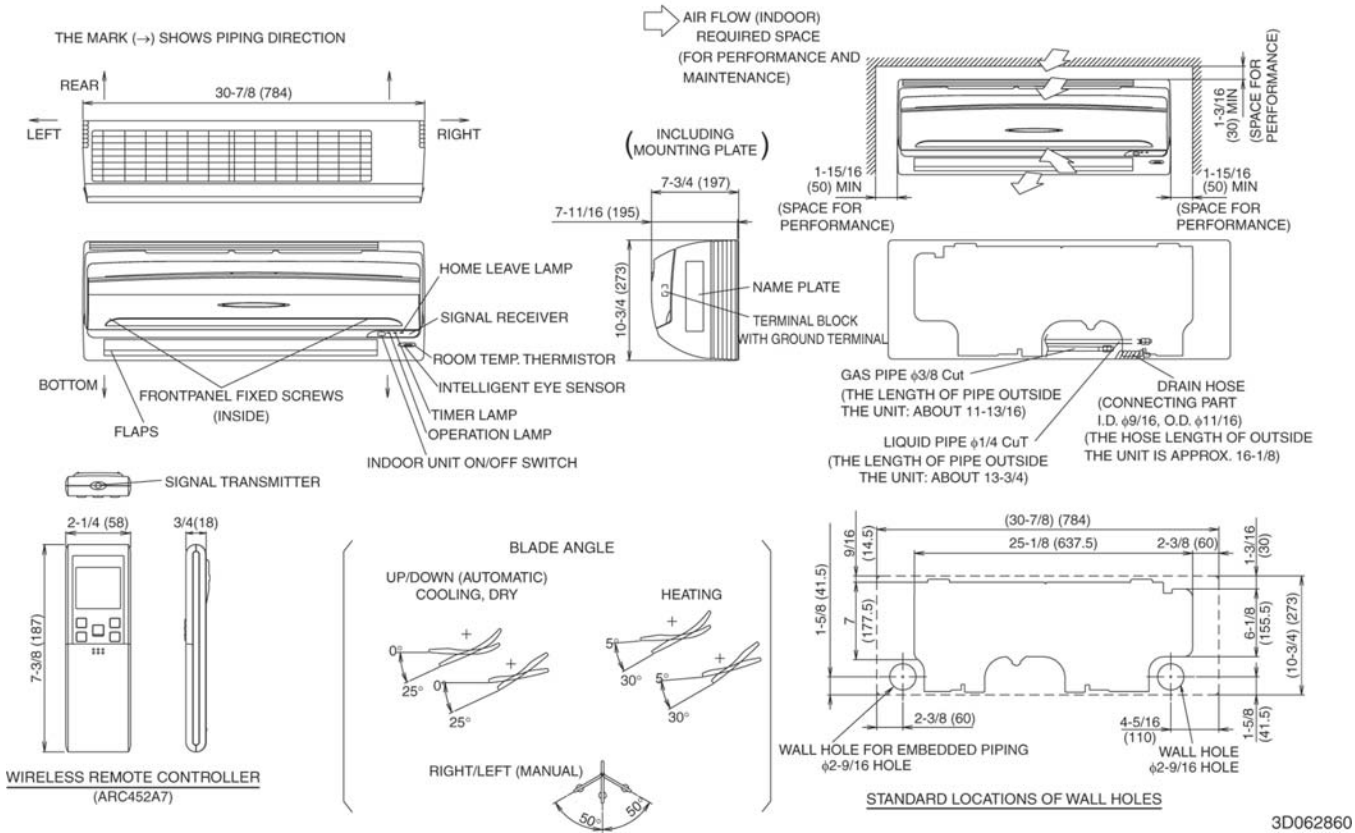
Approval: \_\_\_\_\_  
Date: \_\_\_\_\_  
Construction: \_\_\_\_\_  
Unit #: \_\_\_\_\_  
Drawing #: \_\_\_\_\_



Project Name: \_\_\_\_\_  
 Location: \_\_\_\_\_  
 Engineer: \_\_\_\_\_  
 Submitted to: \_\_\_\_\_  
 Submitted by: \_\_\_\_\_  
 Reference: \_\_\_\_\_

Approval: \_\_\_\_\_  
 Date: \_\_\_\_\_  
 Construction: \_\_\_\_\_  
 Unit #: \_\_\_\_\_  
 Drawing #: \_\_\_\_\_

## Dimensional Drawing - Indoor Unit

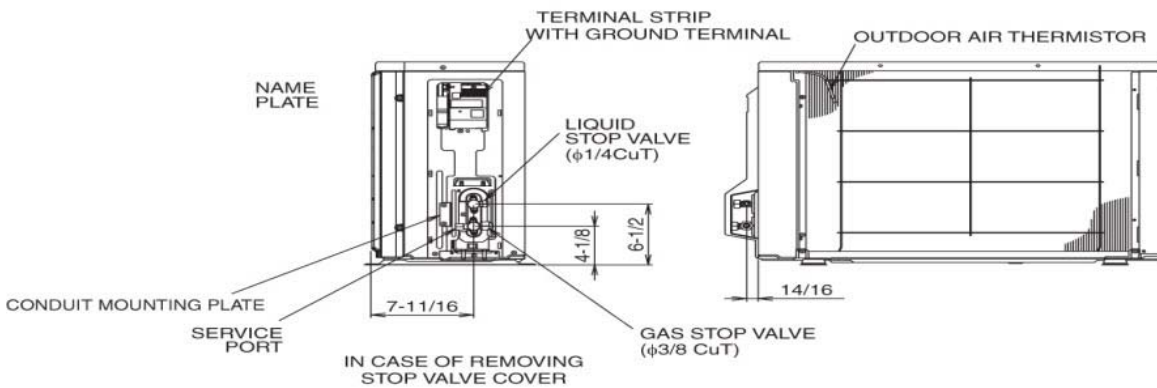
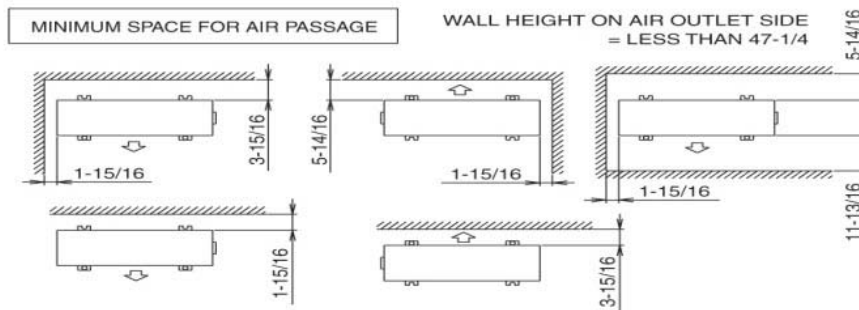
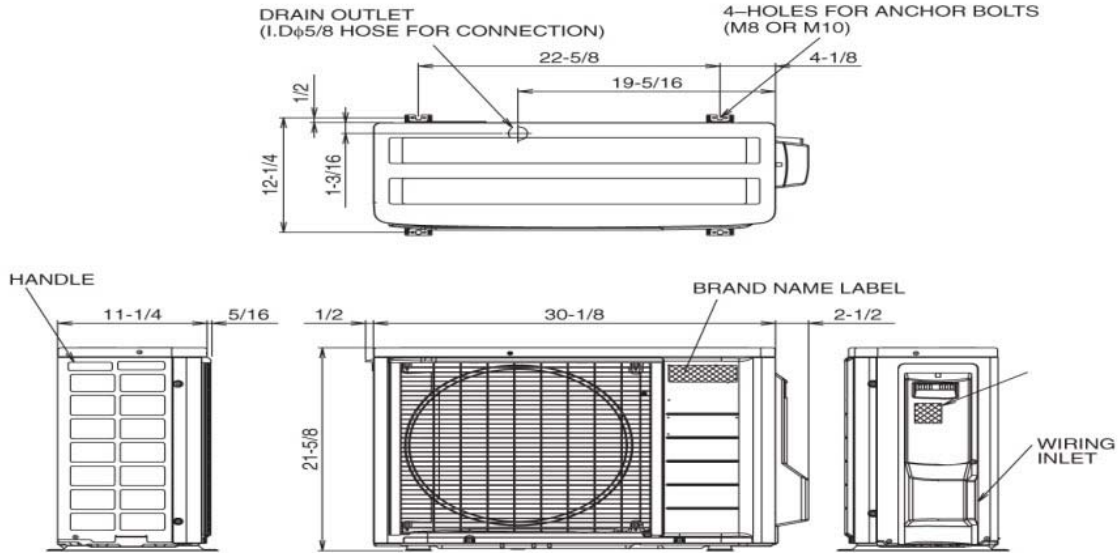


3D062860

Project Name: \_\_\_\_\_  
 Location: \_\_\_\_\_  
 Engineer: \_\_\_\_\_  
 Submitted to: \_\_\_\_\_  
 Submitted by: \_\_\_\_\_  
 Reference: \_\_\_\_\_

Approval: \_\_\_\_\_  
 Date: \_\_\_\_\_  
 Construction: \_\_\_\_\_  
 Unit #: \_\_\_\_\_  
 Drawing #: \_\_\_\_\_

**Dimensional Drawing - Condensing Unit**



Project Name: \_\_\_\_\_  
Location: \_\_\_\_\_  
Engineer: \_\_\_\_\_  
Submitted to: \_\_\_\_\_  
Submitted by: \_\_\_\_\_  
Reference: \_\_\_\_\_

Approval: \_\_\_\_\_  
Date: \_\_\_\_\_  
Construction: \_\_\_\_\_  
Unit #: \_\_\_\_\_  
Drawing #: \_\_\_\_\_

## Notes

Options include Wind Baffle, Wired Remote Controller, Mounting Bracket, Std U.S. Warranty: 7yrs Compressor, 5yrs Parts, 1yr Limited Labor