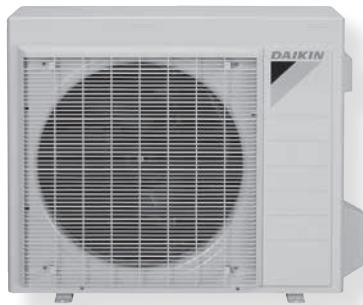


ENHANCED-CAPACITY, HIGH-EFFICIENCY DUCTLESS SYSTEM WITH WALL-MOUNTED & FLOOR-STANDING INDOOR UNITS



PERFORMANCE:

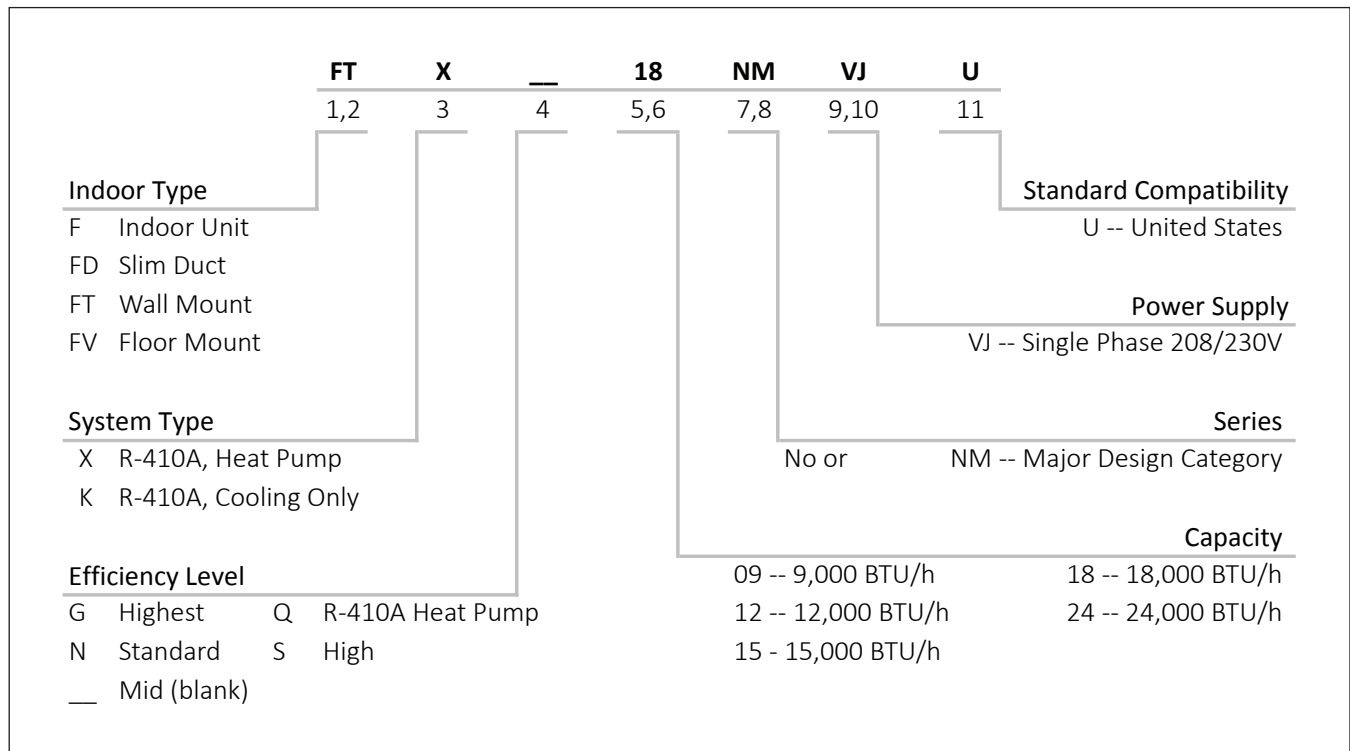
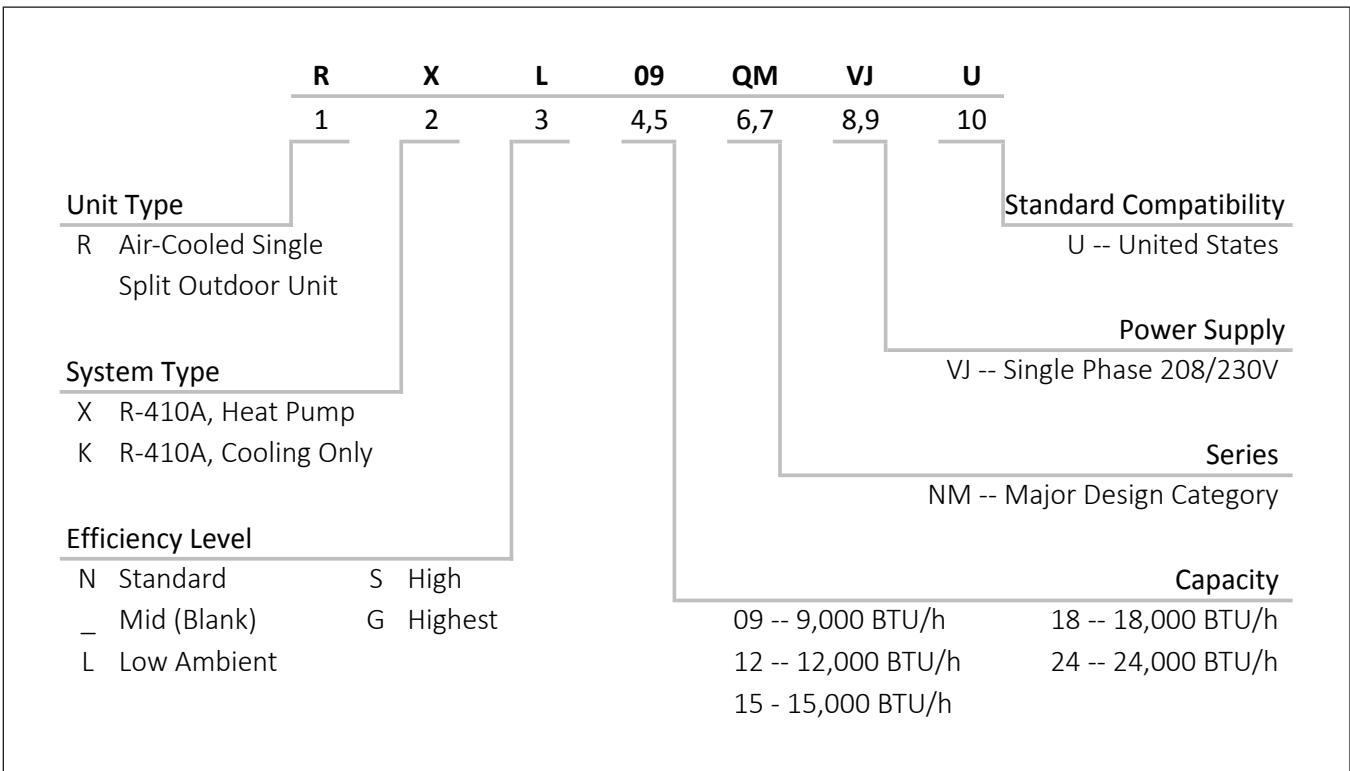
- 20 SEER
- UP TO 13 EER
- UP TO 12.5 HSPF

Product Features

- Inverter Compressor
- 208/230/1 Power Supply
- Cooling Range: -4° to 115° F (with optional wind baffle)
- Heating Range: -13° to 75° F (with drain pan heater as applicable)
- 100% of rated heating capacity at 5° F
- Pre-charged for up to 33 ft of liquid line
- Indoor Sound Pressure as low as 19 dB(A)
- Outdoor Sound Pressures as low as 49 dB(A)
- Washable Air Filter
- Econo Mode
- Program Dry Function
- Powerful Operation Mode
- Wireless Remote Controller with backlit display
- Outdoor Unit quiet operation with backlight
- Auto Changeover (Heat Pump only)
- Auto Fan Speed Control
- Self-Diagnostics with digital display
- Auto Restart after power failure
- Anti-Corrosion Treatment on heat exchanger
- Max Piping (09/12 MBH): 66' length, 49' height
- Max Piping (15 MBH): 98' Length, 66' height
- Titanium Apatite photocatalytic air filter (FTX models)



* Complete warranty details available from your local dealer or at www.daikincomfort.com. To receive the 12-Year Parts Limited Warranty, online registration must be completed within 60 days of installation. Online registration and some of the additional requirements are not required in California or Quebec.



SYSTEM PERFORMANCE				
Model Name	IDU ODU	FTX09NMVJU RXL09QMVJU	FTX12NMVJU RXL12QMVJU	FTX15NMVJU RXL15QMVJU
Nominal Capacity	BTU/h	9,000	12,000	15,000
Cooling Capacity (Rated)	BTU/h	9,000	10,900	15,000
Cooling Capacity (Min-Max)	BTU/h	4,400 - 10,900	4,400 - 13,300	5,800 - 18,400
Heating Capacity (Rated)	BTU/h	10,900	13,600	18,300
Heating Capacity (Min-Max)	BTU/h	4,400 - 16,000	4,400 - 18,800	5,800 - 24,600
Heating Capacity (@ 5F - Max)	BTU/h	10,900	14,300	18,300
SEER		20.0	20.0	20.0
EER	BTU/h*W	12.5	12.5	13.0
COP	W/W	4.2	3.9	4.0
HSPF		12.5	12.0	12.5
ELECTRICAL DATA				
Power Supply	V/φ/Hz	208-230/1/60		
Minimum Circuit Amps	A	9.5	13.0	13.0
Max Overcurrent Protection	A	15	15	15
Power Consumption - Cooling	kW	0.7	0.9	1.2
Power Consumption - Heating	kW	0.8	1.0	1.3
INDOOR UNITS				
Moisture Removal	Gal/hr	0.3	0.5	0.6
Airflow - Cooling (H/M/L/SL)	CFM	417 /297 /244 /141	434 /311 /247 /145	593 /505 /431 /367
Airflow - Heating (H/M/L/SL)	CFM	403 /328 /251 /215	413 /321 /258 /219	653 /554 /470 /399
Sound Pressure - Cooling (H/M/L/SL)	dB(A)	43 /36 /30 /19	45 /37 /30 /19	45 /41 /36 /33
Sound Pressure - Heating (H/M/L/SL)	dB(A)	43 /36 /29 /25	45 /37 /30 /26	45 /41 /37 /33
Piping Connection	Liquid	in.	1/4	1/4
	Gas	in.	3/8	1/2
	Drain	in.	5/8	5/8
Dimensions (HxWxD)	in.	11¼ x 30 ⁵ / ₁₆ x 8¾	11¼ x 30 ⁵ / ₁₆ x 8¾	11¾ x 39 x 10 ³ / ₈
Net Weight	lbs.	18	18	27
OUTDOOR UNITS				
Sound Pressure Level - Cooling/Heating	dB(A)	49/49	50/50	50/55
Operating Range - Cooling	FDB	50-115	50-115	50-115
Operating Range - Low Ambient Cooling	FDB	14-115	14-115	14-115
Operating Range - w/ wind baffle	FDB	-4-115	-4-115	-4-115
Operating Range - Heating	FDB	5-75	5-75	5-75
Operating Range - w/ drain pan heater	FDB	-13-75	-13-75	-13-75
Max Piping Length	ft	65.6	65.6	98.5
Max Piping Height	ft	49.2	49.2	65.6
Dimensions (HxWxD)	in.	21 ¹ / ₈ x 26 ⁹ / ₁₆ x 11 ³ / ₁₆	21 ¹ / ₈ x 26 ⁹ / ₁₆ x 11 ³ / ₁₆	28 ¹⁵ / ₁₆ x 34 ¹ / ₄ x 12 ³ / ₈
Net Weight	lbs	60	70	108
<p>* ENERGY STAR® and the ENERGY STAR mark are registered trademarks owned by the U.S. Environmental Protection Agency. ENERGY STAR products are third-party certified by an EPA-recognized Certification Body. Products that earn the ENERGY STAR prevent greenhouse gas emissions by meeting strict energy efficiency guidelines set by the U.S. Environmental Protection Agency.</p> <p>This product meets ENERGY STAR requirements when appropriate coil components are used. Ask your contractor for details or visit www.energystar.gov. The www.energystar.gov website provides up-to-date system combinations certified to meet ENERGY STAR requirements.</p>				

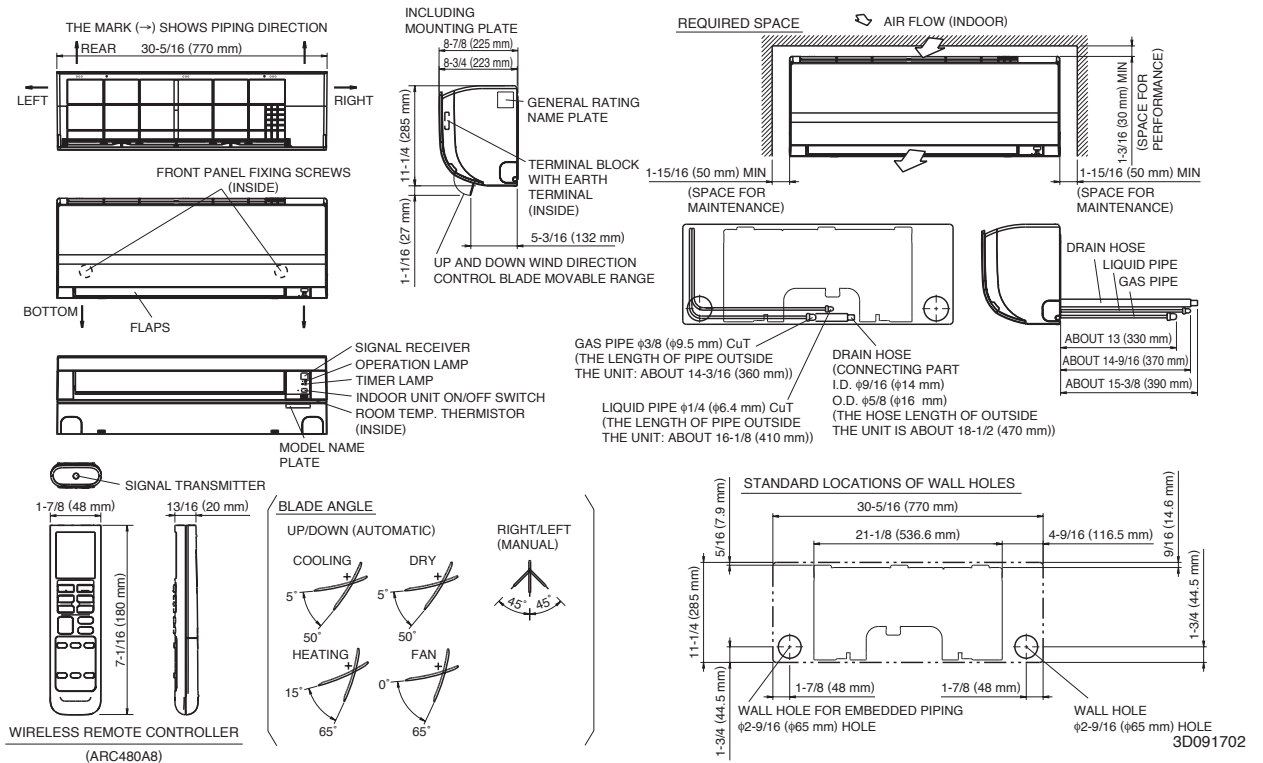
SYSTEM PERFORMANCE				
Model Name	IDU ODU	FVXS09NVJU RXL09QMVJU	FVXS12NVJU RXL12QMVJU	FVXS15NVJU RXL15QMVJU
Nominal Capacity	BTU/h	9,000	12,000	15,000
Cooling Capacity (Rated)	BTU/h	9,000	10,200	15,000
Cooling Capacity (Min-Max)	BTU/h	4,400 - 10,200	4,400 - 12,300	5,800 - 17,100
Heating Capacity (Rated)	BTU/h	10,100	13,000	18,000
Heating Capacity (Min-Max)	BTU/h	4,400 - 14,300	4,400 - 17,100	5,800 - 24,000
Heating Capacity (@ 5F - Max)	BTU/h	10,100	13,000	18,000
SEER		20.0	20.0	20.0
EER	BTU/h*W	12.5	12.0	12.5
COP	W/W	4.1	4.0	3.8
HSPF		11.7	11.4	11.3
ELECTRICAL DATA				
Power Supply	V/φ/Hz	208-230/1/60		
Minimum Circuit Amps	A	9.5	13.0	13.0
Max Overcurrent Protection	A	15	15	15
Power Consumption - Cooling	kW	0.7	0.9	1.2
Power Consumption - Heating	kW	0.7	0.1	1.4
INDOOR UNITS				
Moisture Removal	Gal/hr	0.3	0.5	0.6
Airflow - Cooling (H/M/L/SL)	CFM	290 /230 /169 /145	300 /237 /173 /159	378 /325 /275 /233
Airflow - Heating (H/M/L/SL)	CFM	311 /244 /177 /155	332 /258 /184 /166	417 /357 /300 /251
Sound Pressure - Cooling (H/M/L/SL)	dB(A)	38 /32 /26 /23	39 /33 /27 /24	44 /40 /36 /32
Sound Pressure - Heating (H/M/L/SL)	dB(A)	38 /32 /26 /23	39 /33 /27 /24	45 /40 /36 /32
Piping Connection	Liquid	in	1/4	1/4
	Gas	in	3/8	3/8
	Drain	in	13/16	13/16
Dimensions (HxWxD)	in	23 ³ / ₈ x 27 ⁹ / ₁₆ x 8 ³ / ₄	23 ³ / ₈ x 27 ⁹ / ₁₆ x 8 ³ / ₄	23 ³ / ₈ x 27 ⁹ / ₁₆ x 8 ³ / ₄
Net Weight	lbs	31	31	31
OUTDOOR UNITS				
Sound Pressure Level - Cooling/Heating	dB(A)	49 /49	50 /50	50 /55
Operating Range - Cooling	FDB	50-115	50-115	50-115
Operating Range - Low Ambient Cooling	FDB	14-115	14-115	14-115
Operating Range - w/ wind baffle	FDB	-4-115	-4-115	-4-115
Operating Range - Heating	FDB	5-75	5-75	5-75
Operating Range - w/ drain pan heater as applicable	FDB	-13-75	-13-75	-13-75
Max Piping Length	ft	65.6	65.6	98.5
Max Piping Height	ft	49.2	49.2	65.6
Dimensions (HxWxD)	in	21 ¹ / ₈ x 26 ⁹ / ₁₆ x 11 ³ / ₁₆	21 ¹ / ₈ x 26 ⁹ / ₁₆ x 11 ³ / ₁₆	28 ¹⁵ / ₁₆ x 34 ¹ / ₄ x 12 ³ / ₈
Net Weight	lbs	60	70	108

* ENERGY STAR® and the ENERGY STAR mark are registered trademarks owned by the U.S. Environmental Protection Agency. ENERGY STAR products are third-party certified by an EPA-recognized Certification Body. Products that earn the ENERGY STAR prevent greenhouse gas emissions by meeting strict energy efficiency guidelines set by the U.S. Environmental Protection Agency.

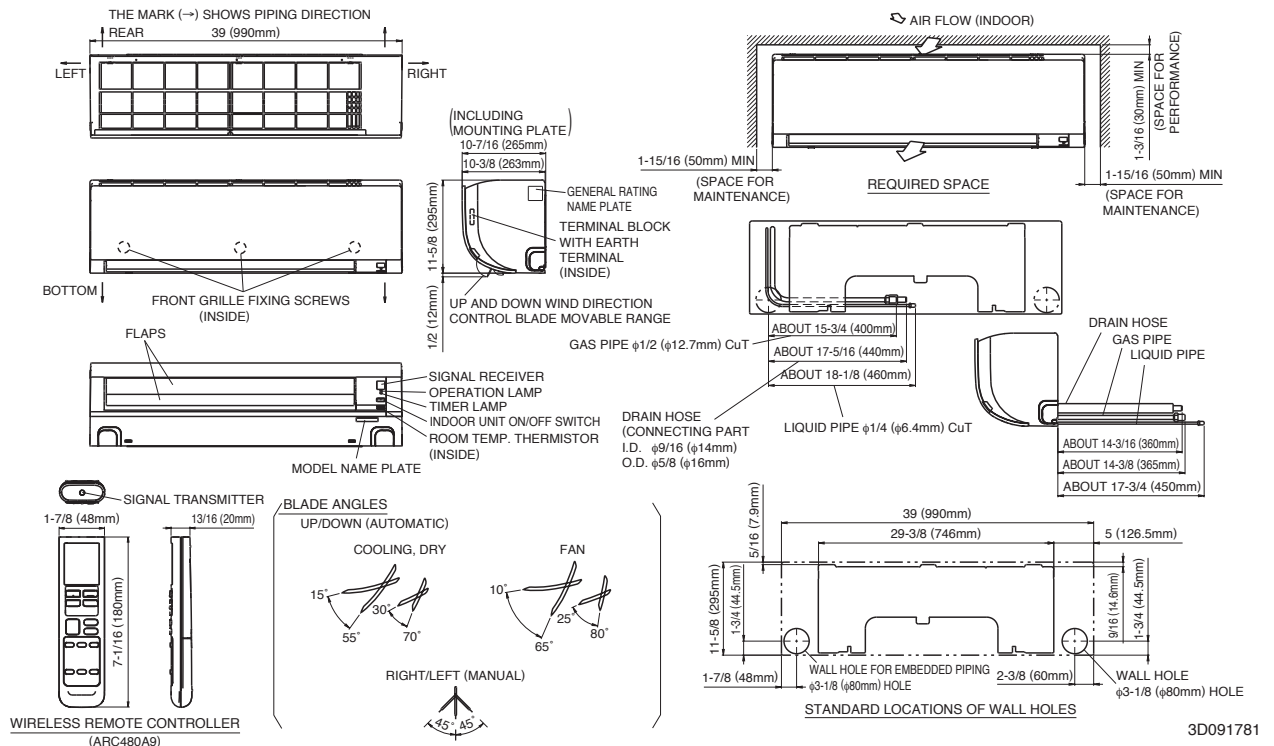
Proper sizing and installation of equipment is critical to achieving optimal performance. Split system air conditioners and heat pumps must be matched with appropriate coil components to meet ENERGY STAR criteria. Ask your contractor for details or visit www.energystar.gov.

The www.energystar.gov website provides up-to-date system combinations certified to meet ENERGY STAR requirements.

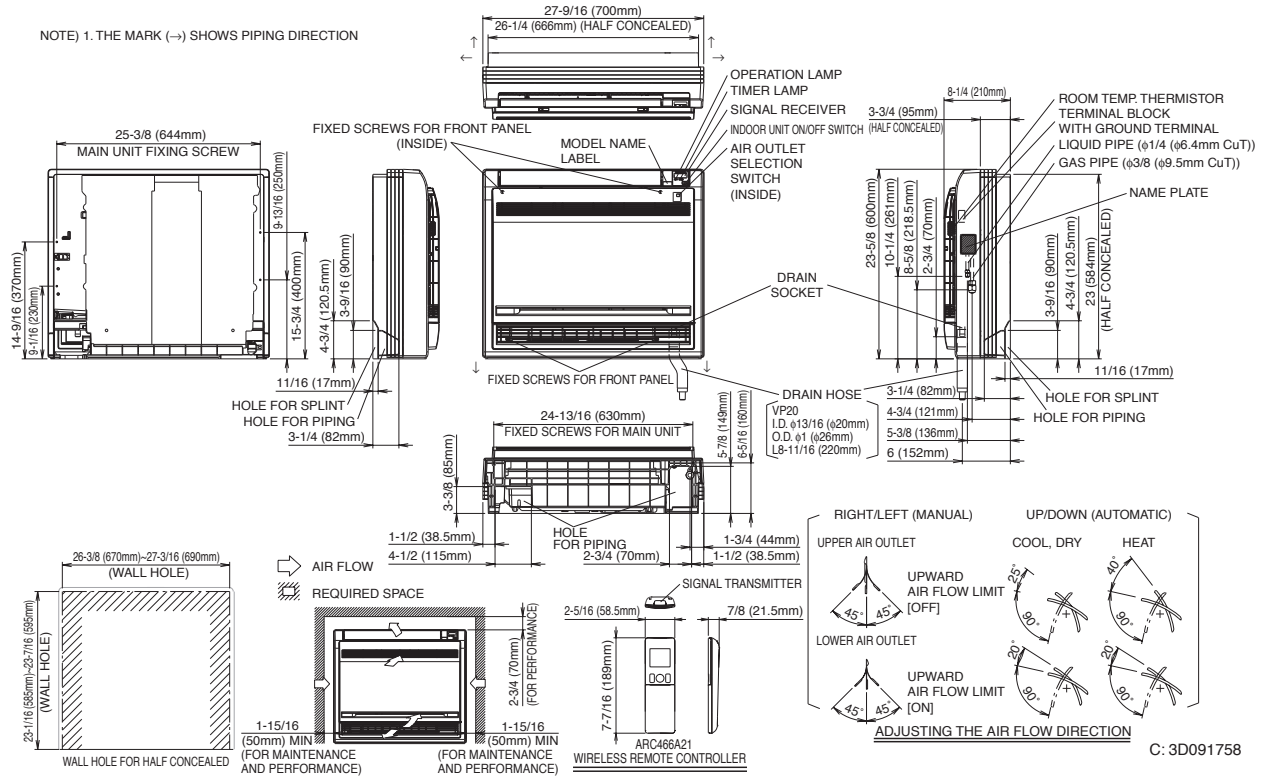
FTX09NMVJU, FTX12NMVJU



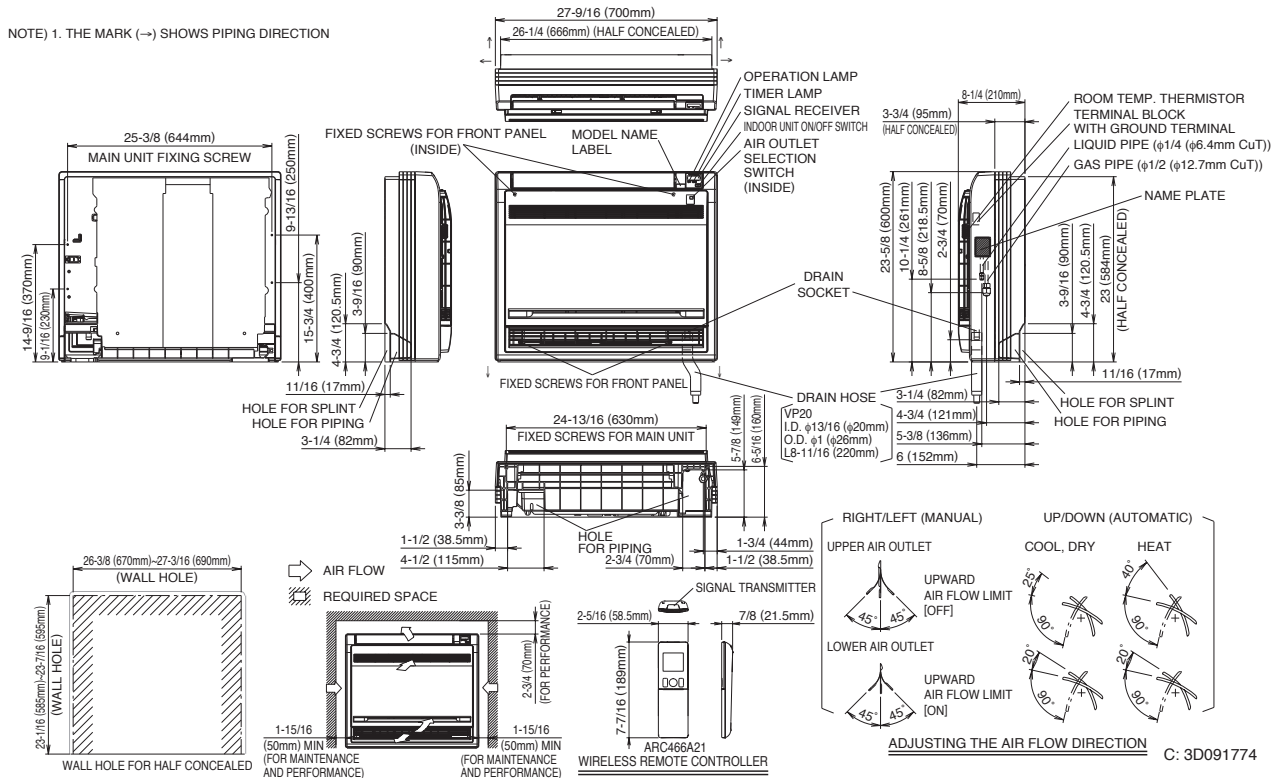
FTK15NMVJU



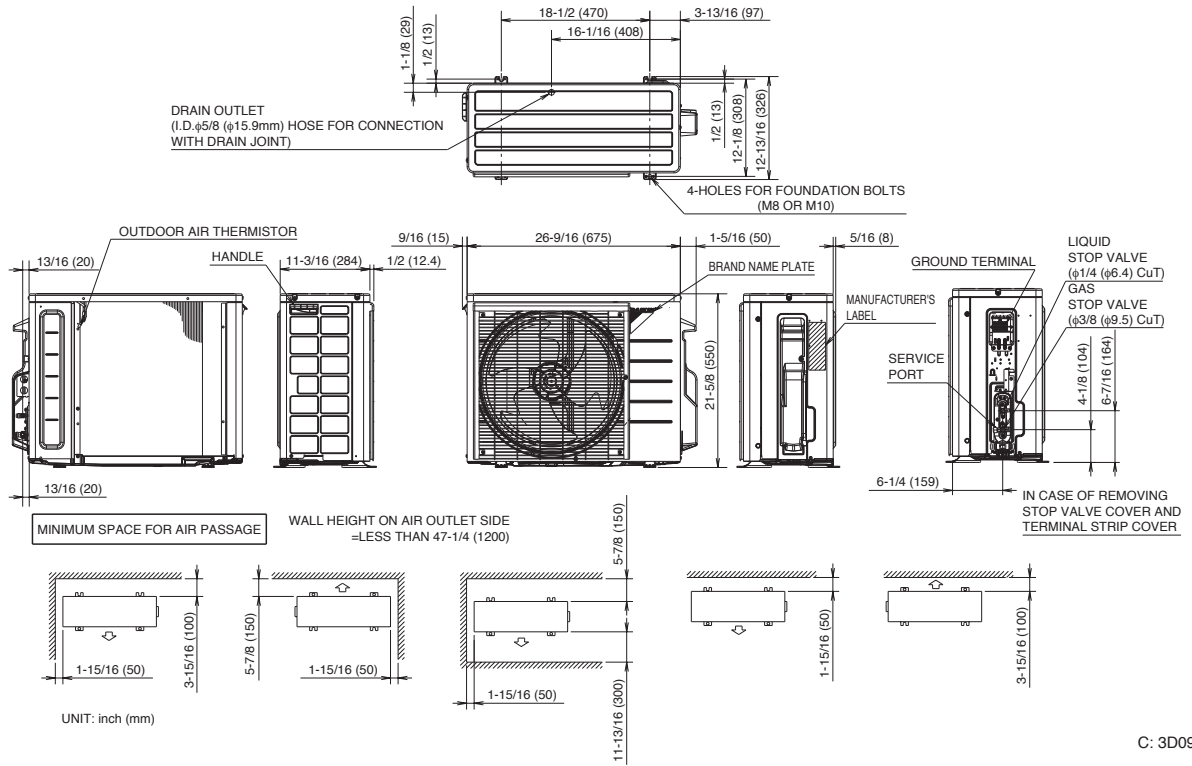
FVXS09NVJU, FVXS12NVJU



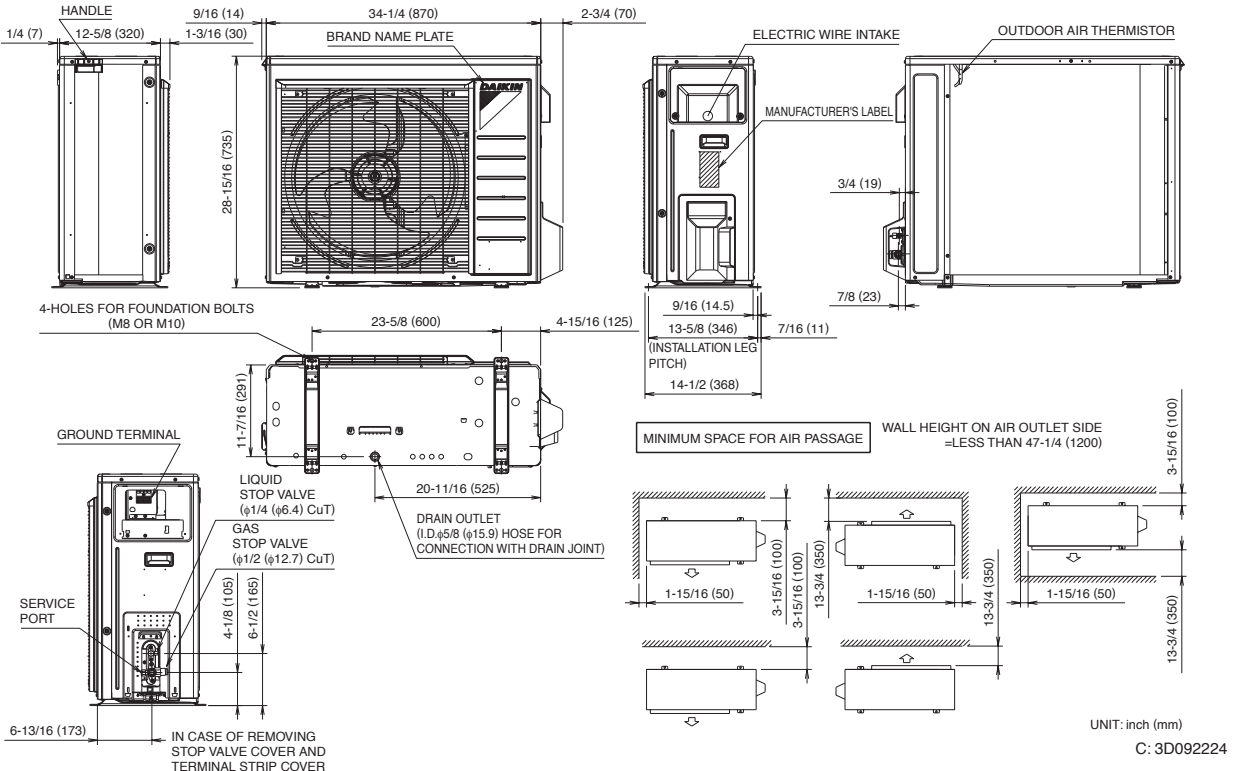
FVXS15NVJU



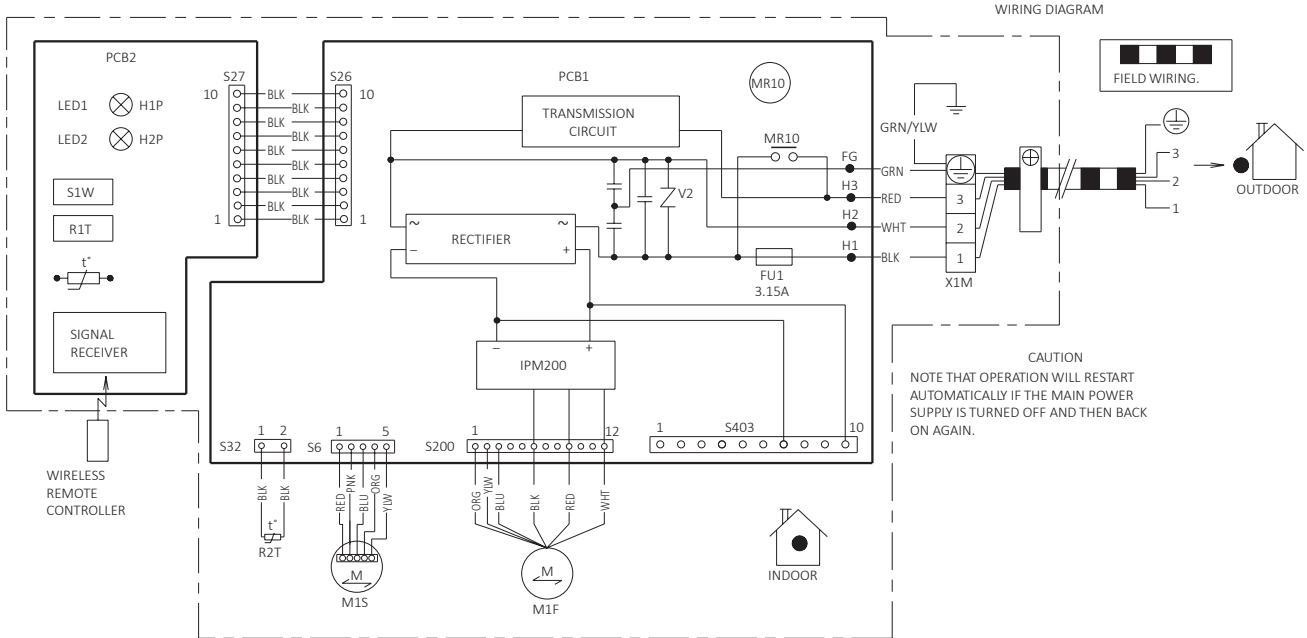
RXL09QMVJU, RXL12QMVJU



RXL15QMVJU



FTX09NMVJU, FTX12NMVJU



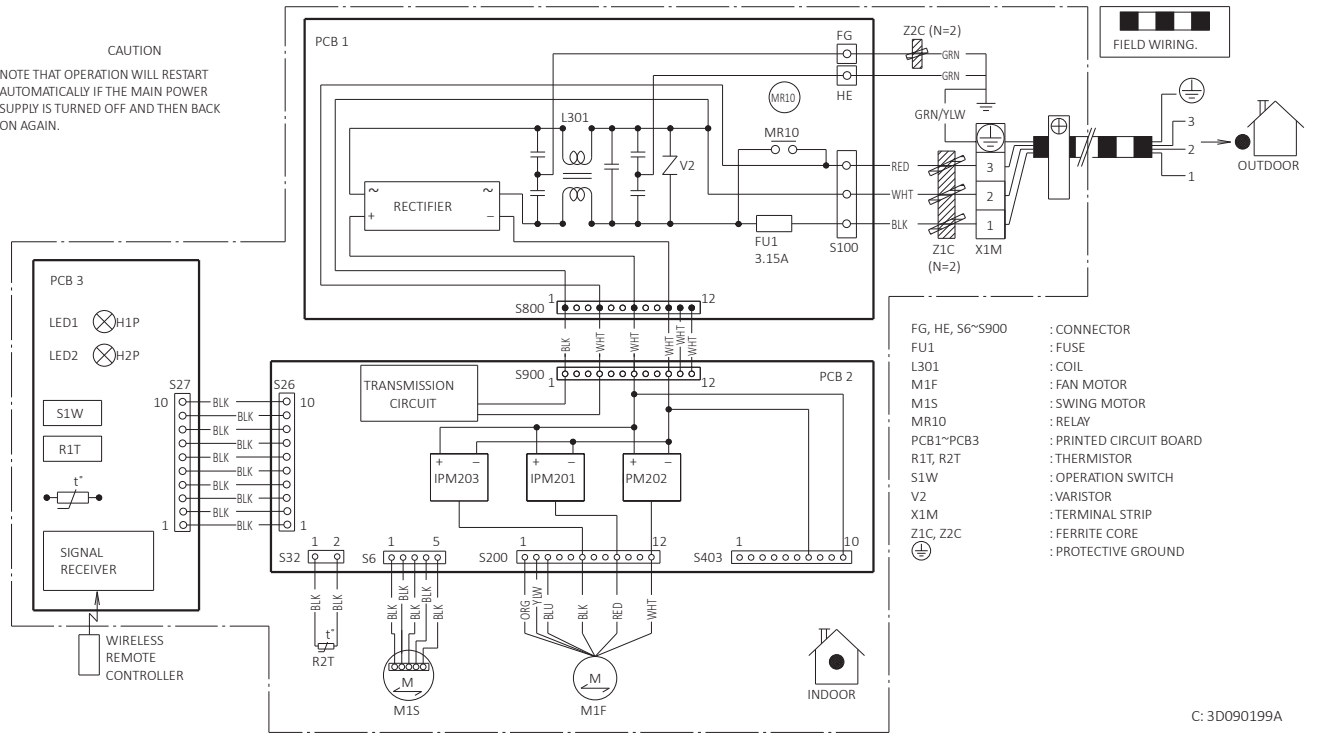
- | | | | |
|-------------------|------------------------------------|------------------------|-----------------------|
| FG : FRAME GROUND | M15 : SWING MOTOR | S1W : OPERATION SWITCH | ⊕ : PROTECTIVE GROUND |
| FU1 : FUSE | PCB1, PCB2 : PRINTED CIRCUIT BOARD | X1M : TERMINAL STRIP | |
| H1~H3 : HARNESS | R1T, R2T : THERMISTOR | V2 : VARISTOR | |
| M1F : FAN MOTOR | S6~S403 : CONNECTOR | MR10 : RELAY | |

C: 3D086429C

FTX15NMVJU

WIRING DIAGRAM

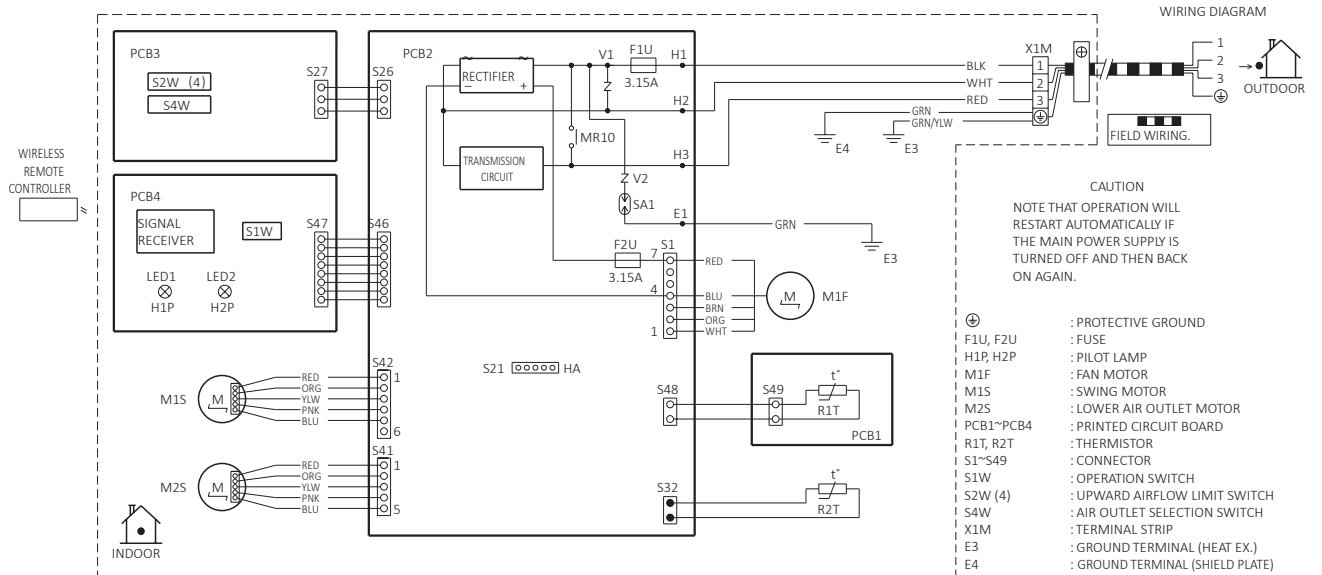
CAUTION
NOTE THAT OPERATION WILL RESTART AUTOMATICALLY IF THE MAIN POWER SUPPLY IS TURNED OFF AND THEN BACK ON AGAIN.



- | | |
|-----------------|-------------------------|
| FG, HE, S6~S900 | : CONNECTOR |
| FU1 | : FUSE |
| L301 | : COIL |
| M1F | : FAN MOTOR |
| M15 | : SWING MOTOR |
| MR10 | : RELAY |
| PCB1~PCB3 | : PRINTED CIRCUIT BOARD |
| R1T, R2T | : THERMISTOR |
| S1W | : OPERATION SWITCH |
| V2 | : VARISTOR |
| X1M | : TERMINAL STRIP |
| Z1C, Z2C | : FERRITE CORE |
| ⊕ | : PROTECTIVE GROUND |

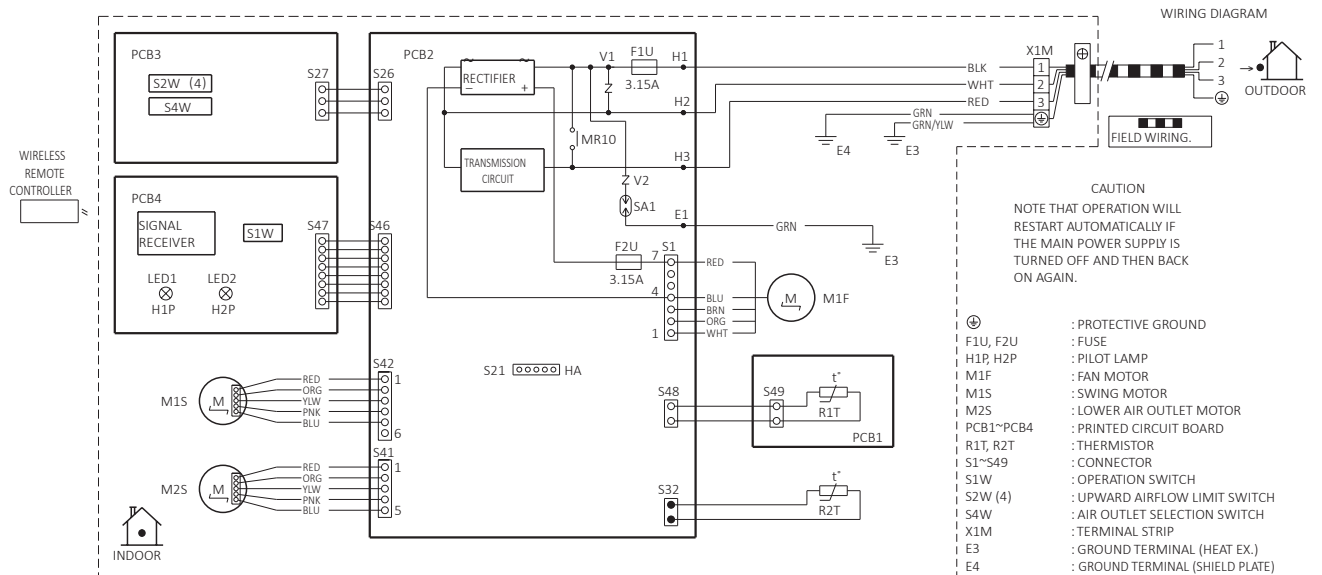
C: 3D090199A

FVXS09NVJU, FVXS12NVJU



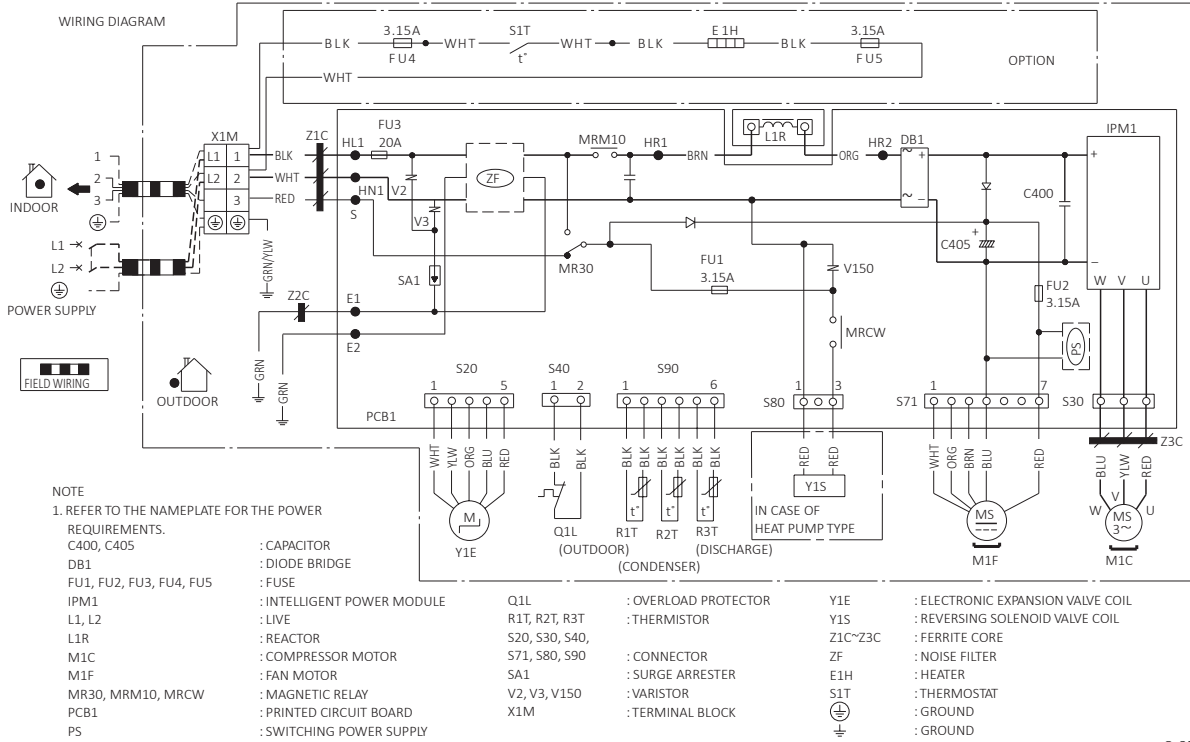
C: 3D090604A

FVXS15NVJU



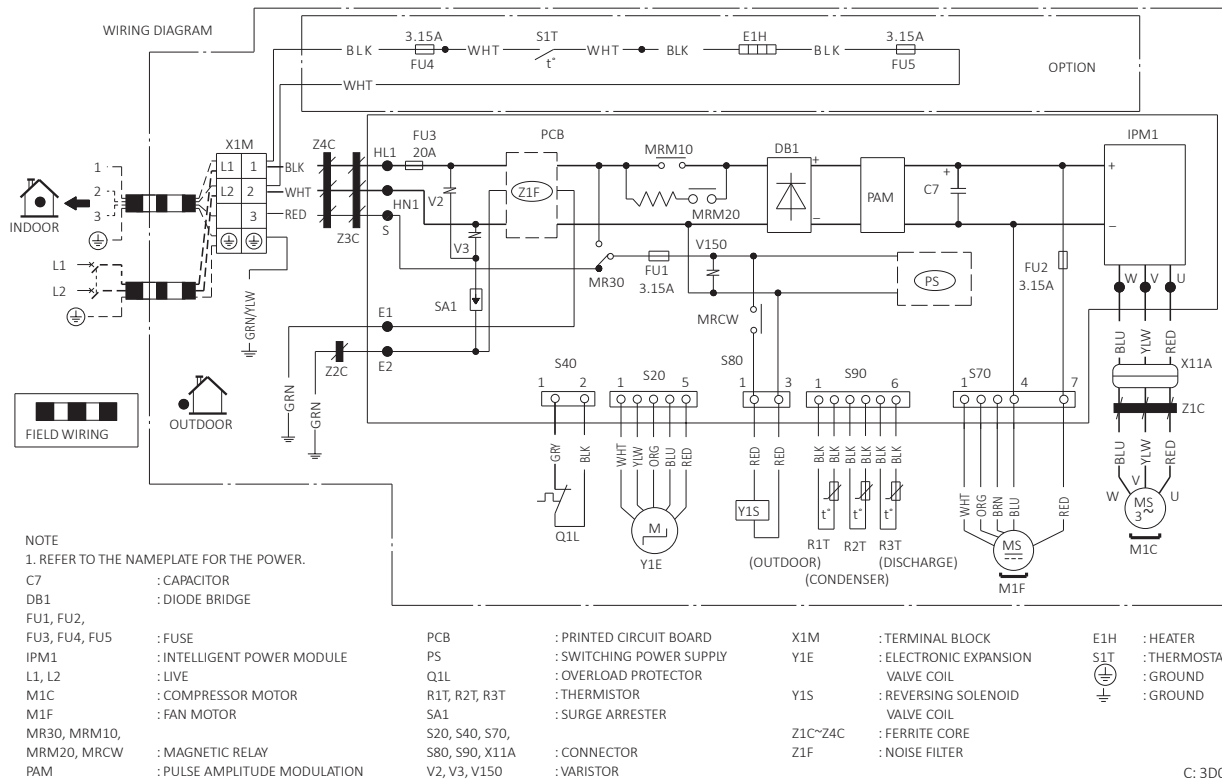
C: 3D090604A

RXL09QMVJU



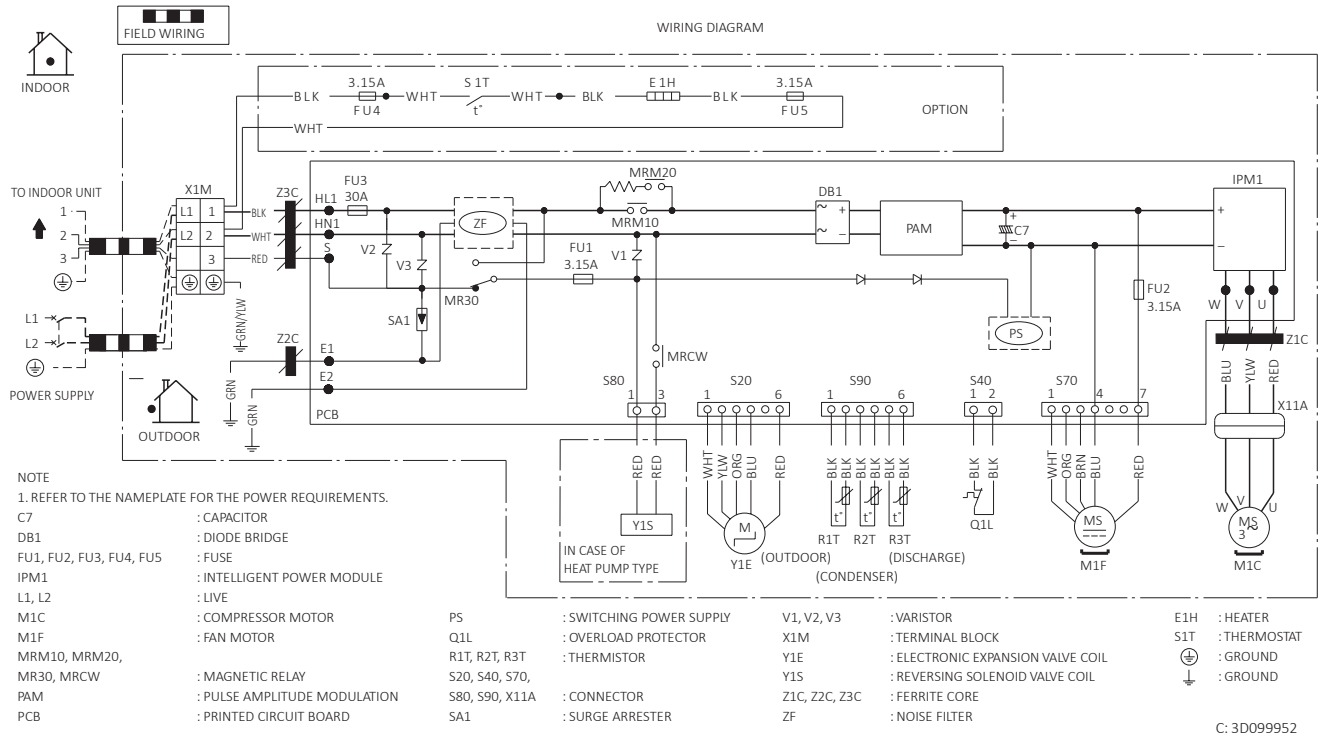
C: 3D099947

RXL12QMVJU



C: 3D099948

RXL15QMVJU



	ACCESSORY DESCRIPTION	PART NUMBERS	
		UNIT SIZES: 9 & 12	UNIT SIZE: 15
INDOOR UNIT	Wired remote controller & adaptor	BRC944B2 + KRP067A41	BRC944B2 + KRP980B2
	Cord for remote controller (3m)	BRCW901A03	BRCW901A03
	Cord for remote controller (8m)	BRCW901A08	BRCW901A08
	Five-room centralized controller	KRC72A	KRC72A
	Adopter PCB (normal open/normal open pulse contact)	KRP413AB1S + KRP067A41	KRP413AB1S + KRP980B2
	Titanium apatite photocatalytic air-purifying filter**	KAF970A46	KAF970A45 or KAF970A46**
	Remote controller loss prevention with chain	KKF936A4	KKF936A4
	Interface adaptor for DIII-NET use	KRP928BB2S + KRP067A41	KRP928BB2S + KRP980B2
	Central remote controller	DCS302C71	DCS302C71
	Unified ON/OFF controller	DCS301C71	DCS301C71
	Schedule timer	DST301BA61	DST301BA61
	Standard remote controller for HP units	ARC480A6	ARC480A6
	ENVi - WiFi enabled controller	DACA-TS1-1 + KRP067A41	DACA-TS1-1 + KRP980B2
OUTDOOR UNIT	Air direction adjustment grille	KPW937E4	KPW063A4
	Drain plug*	KKP937A4	KKP937A4
	Drain pan heater	KEHO67A41E	KEHO63A4E
	Back protection wire net	KKG067A41	KKG063A42
	Snow Hoods:		
	Side	KPS067A41	KPS063A41
	Back	KPS067A42	KPS063A44
	Discharge	KPS067A44	KPS063A47

* Standard accessory (Drain plug is only for Heat Pump models)

** KAF970A46 filter without frame, KAF970A45 filter with frame