

SkyAir FTQ**TAVJU* Air Handler

FTQ18TAVJUAAA
FTQ18TAVJUDAA
FTQ24TAVJUAAA
FTQ24TAVJUDAA
FTQ30TAVJUAAA
FTQ30TAVJUDAA
FTQ36TAVJUAAA
FTQ36TAVJUDAA
FTQ42TAVJUAAA
FTQ42TAVJUDAA
FTQ48TAVJUAAA
FTQ48TAVJUDAA



This manual is to be used by qualified technicians only.

Important Information

Index

Functional Parts List	3
Illustration and Parts	4 - 9

Views shown are for parts illustrations only, not servicing procedures

Text Codes:

AR - As Required

NA - Not Available

NS - Not Shown

00000000 - See Note

QTY - Quantity Example (QTY 3) (If Quantity not shown, Quantity = 1)

M - Model Example (M1) (If M Code not shown, then part is used on all Models)

Expanded Model Nomenclature:

Example M1 - Model#1 M2 - Model#2 M3 - Model#3

Daikin Manufacturing Company, L.P. is not responsible for personal injury or property damage resulting from improper service. Review all service information before beginning repairs.

Warranty service must be performed by an authorized technician, using authorized factory parts. If service is required after the warranty expires, Daikin Manufacturing Company, L.P. also recommends contacting an authorized technician and using authorized factory parts.

Daikin Manufacturing Company, L.P. reserves the right to discontinue, or change at any time, specifications or designs without notice or without incurring obligations.

For assistance within the U.S.A. contact:

Homeowner Support
Daikin North America, LLC
19001 Kermier Road
Waller, Texas 77484
855-770-5678-Telephone
713-863-2382-Facsimile

For assistance outside the U.S.A. contact:

International Division
Daikin North America, LLC
19001 Kermier Road
Waller, Texas 77484
713-861-2500-Telephone
713-863-2382-Facsimile

Functional Parts

Part

No: Description:

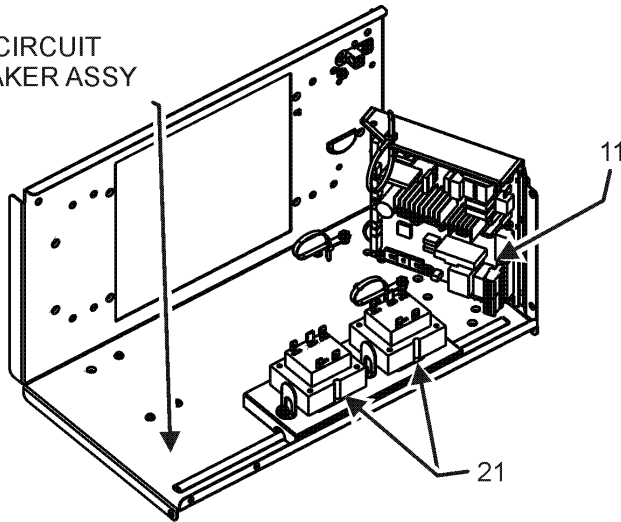
065339J	CAPACITY ADAPTER (M11, M12)
064060J	CAPACITY ADAPTER (M1, M2)
065336J	CAPACITY ADAPTER (M3, M4)
066965J	CAPACITY ADAPTER (M5, M6)
069706J	CAPACITY ADAPTER (M9, M10)
065337J	CAPACITY ADAPTER (M7, M8)
CBK2PD240VC060	CBK, 2 POLE, DUAL, 120/240V (M2, M4, M6, M8, M10, M12)
3P381420-2	EEV COIL
0131M00270	MOTOR, 1/2 HP, SERIAL ECM (M1, M2, M3, M4, M5, M6, M7, M8)
0131M00271	MOTOR, 3/4 HP, SERIAL ECM (M9, M10, M11, M12)
2P432480-3	PCB FAN ASSY
3S500051-1	PULSE MOTOR EXPANS EEV (M1, M2, M3, M4)
3S500052-1	PULSE MOTOR EXPANS EEV (M5, M6)
3S500053-1	PULSE MOTOR EXPANS EEV (M7, M8, M9, M10)
3S500054-1	PULSE MOTOR EXPANS EEV (M11, M12)
0130A00158	TERMINAL BLOCK
4P419914-1	THERMISTOR ASSY
0130M00330	TRANSFORMER, 208/230, 24V (QTY 2)

Expanded Model Nomenclature

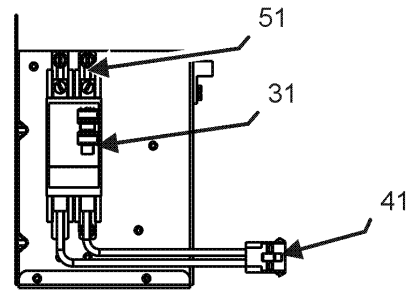
M1 - FTQ18TAVJUAAA
M2 - FTQ18TAVJUDAA
M3 - FTQ24TAVJUAAA
M4 - FTQ24TAVJUDAA
M5 - FTQ30TAVJUAAA
M6 - FTQ30TAVJUDAA
M7 - FTQ36TAVJUAAA
M8 - FTQ36TAVJUDAA
M9 - FTQ42TAVJUAAA
M10 - FTQ42TAVJUDAA
M11 - FTQ48TAVJUAAA
M12 - FTQ48TAVJUDAA

Wrapper and Control Box Assembly

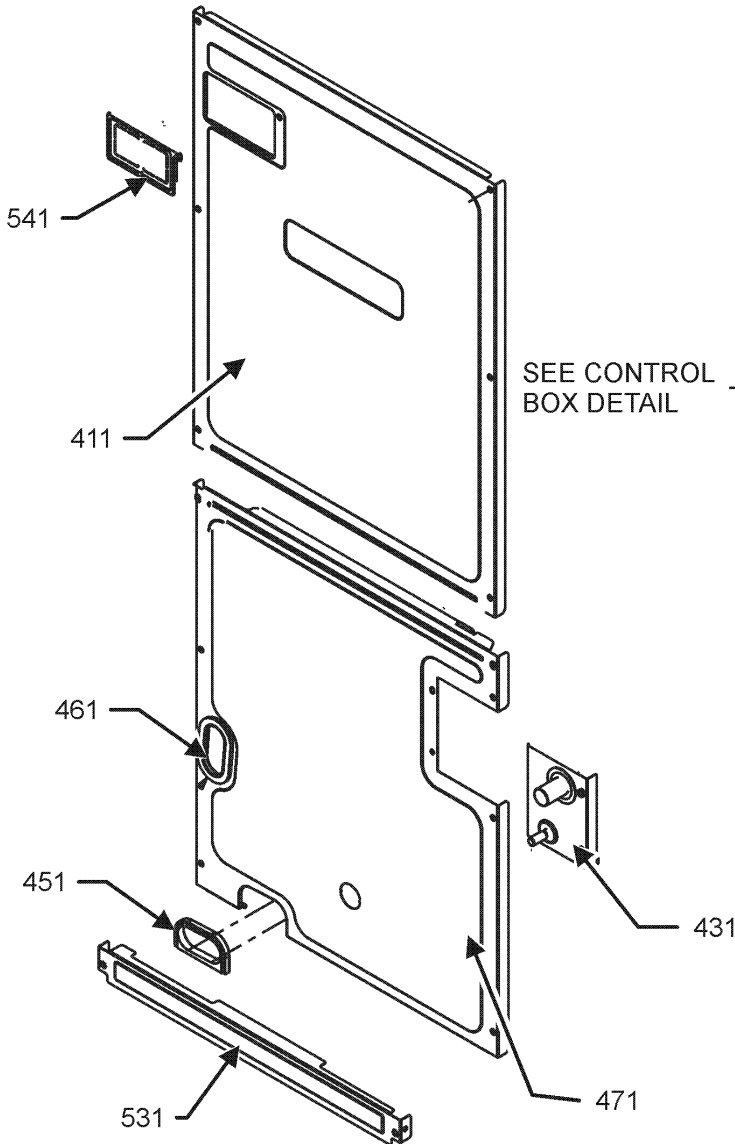
SEE CIRCUIT BREAKER ASSY



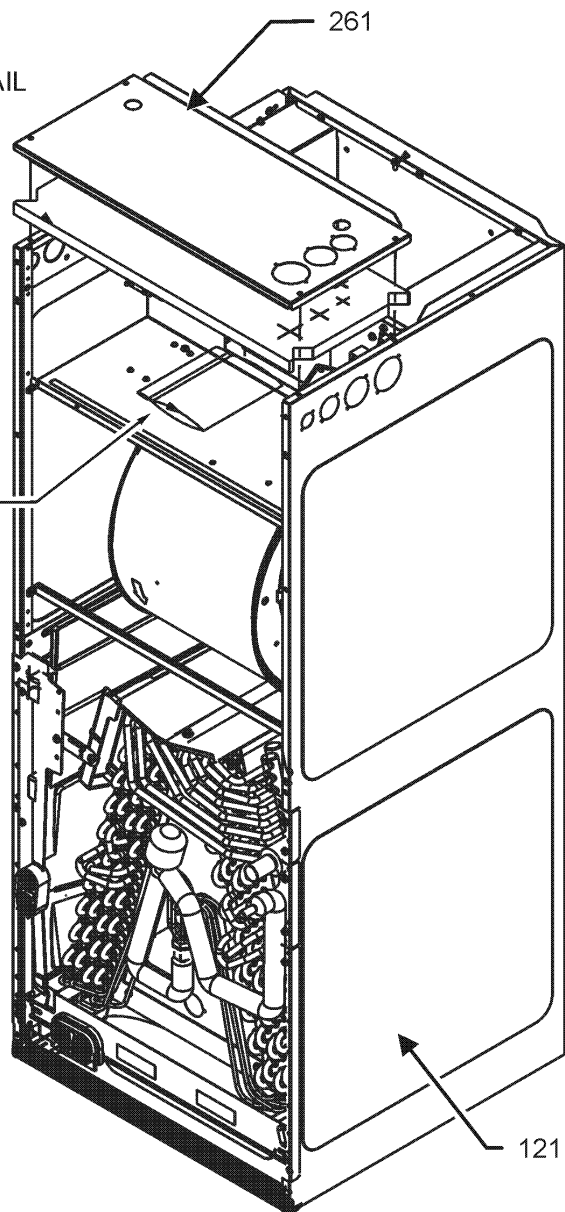
CONTROL BOX DETAIL



CIRCUIT BREAKER ASSY



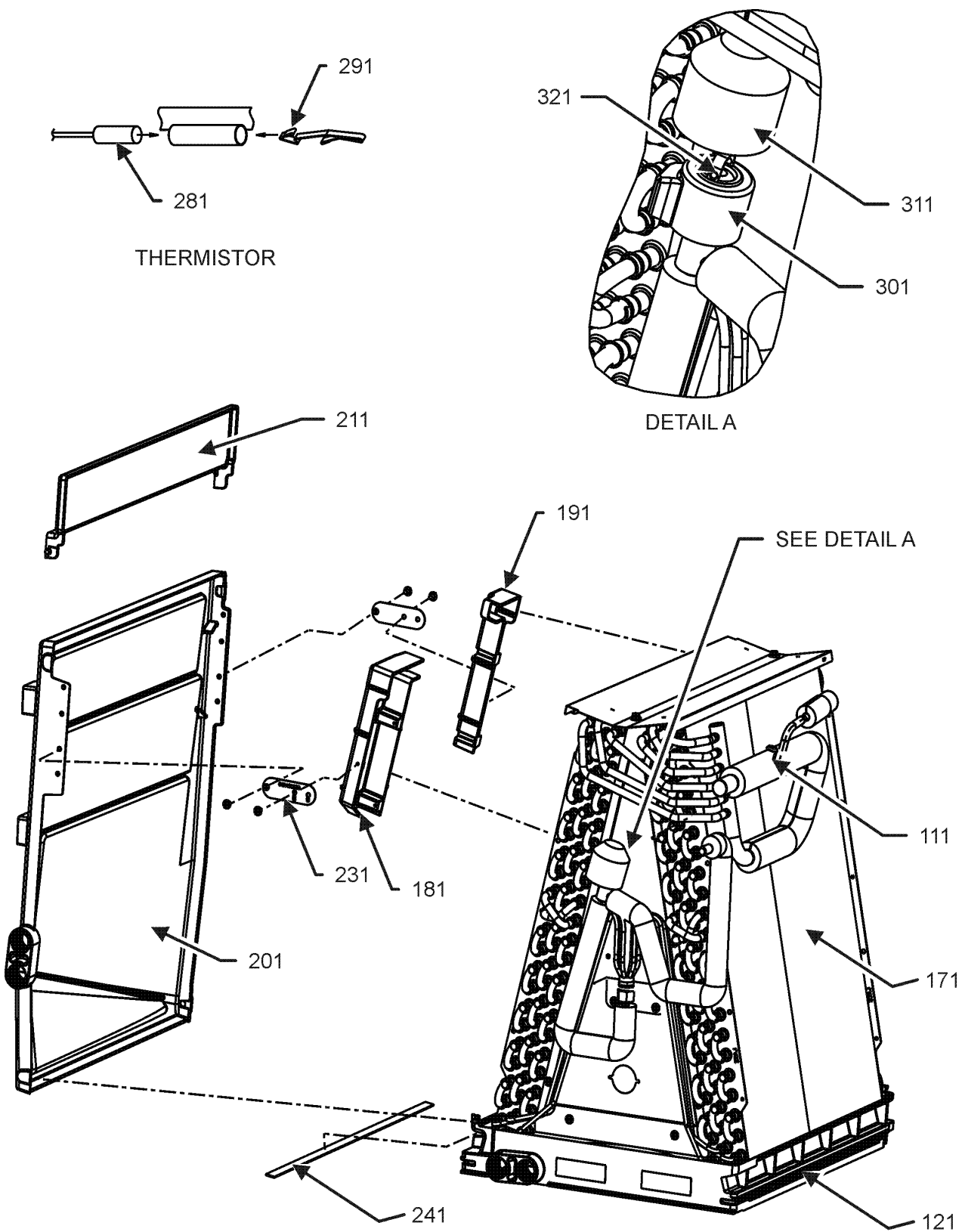
SEE CONTROL BOX DETAIL



Wrapper and Control Box Assembly

Ref. Part No:	Ref. Part No:	Description:	Description:
Image 1:		Expanded Model Nomenclature	
11	2P432480-3	PCB FAN ASSY	M1 - FTQ18TAVJUAAA
21	0130M00330	TRANSFORMER, 208/230, 24V (QTY 2)	M2 - FTQ18TAVJUDAA
31	CBK2PD240VC060	CBK,2 POLE, DUAL,120/240V (M2, M4, M6, M8, M10, M12)	M3 - FTQ24TAVJUAAA
41	0259A00033P	WIRE ASSY, 9 PIN FEMALE CONN	M4 - FTQ24TAVJUDAA
51	0121A00400	2 POLE MOUNTING BRACKET (M2, M4, M6, M8, M10, M12)	M5 - FTQ30TAVJUAAA
121	0121A00456PNG	WRAPPER, PAINTED (M9, M10, M11, M12)	M6 - FTQ30TAVJUDAA
121	0121A00281PNG	WRAPPER, SM, PAINTED (M1, M2, M3, M4, M5, M6, M7, M8)	M7 - FTQ36TAVJUAAA
261	0121A00373PNG	Plate, Upper Tie (M1, M2, M3, M4, M5, M6, M7, M8)	M8 - FTQ36TAVJUDAA
261	0121A00374PNG	Plate, Upper Tie (M9, M10, M11, M12)	M9 - FTQ42TAVJUAAA
411	0121A00834PNG	PANEL, UPPER ACCESS (M9, M10, M11, M12)	M10 - FTQ42TAVJUDAA
411	0121A00835PNG	PANEL, UPPER ACCESS (M1, M2, M3, M4, M5, M6, M7, M8)	M11 - FTQ48TAVJUAAA
431	0121A00658PNG	REFRIGERATION TUBING PANEL	M12 - FTQ48TAVJUDAA
451	0154A00006BL	GASKET, DRAIN PAN	
461	0154A00007BL	GASKET, DRAIN PAN	
471	0121A00461PNG	LOWER ACCESS PANEL (M9, M10, M11, M12)	
471	0121A00620PNG	LOWER ACCESS PANEL (M1, M2, M3, M4, M5, M6, M7, M8)	
531	0121A00242PNG	Panel, Filter Access (M1, M2, M3, M4, M5, M6, M7, M8)	
531	0121A00243PNG	Panel, Filter Access (M9, M10, M11, M12)	
541	0161A00073	CIRCUIT BREAKER COVER	
NS	064060J	CAPACITY ADAPTER (M1, M2)	
NS	065336J	CAPACITY ADAPTER (M3, M4)	
NS	065337J	CAPACITY ADAPTER (M7, M8)	
NS	065339J	CAPACITY ADAPTER (M11, M12)	
NS	066965J	CAPACITY ADAPTER (M5, M6)	
NS	069706J	CAPACITY ADAPTER (M9, M10)	
NS	0164A00002	GROMMET	
NS	M0501301	PIPE GROMMET	
NS	0163M00036	SCREW,#10X1/2,B,BZ,SLOT,SR,BLK (QTY 4)	
NS	0130A00158	TERMINAL BLOCK	
NS	0130A00158	TERMINAL BLOCK	
NS	0163A00026	THUMB SCREW (QTY 2)	
NS	BT1392909	WASHER; SS RETAINING (QTY 2)	
NS	0259A00021	WIRE ASSY, 9 PIN FEMALE CONN (M1, M3, M5, M7, M9, M11)	
NS	0259A00033P	WIRE ASSY, 9 PIN FEMALE CONN	
NS	0259A00031P	WIRE HARNESS, CONNECTOR	

Coil Tubing Assembly



NOTE: COIL TUBING ASSEMBLY MAY DIFFER FROM WHAT IS SHOWN

Coil Tubing Assembly

Ref. Part No:	Ref. Part No:	Description:	Description:
Image 1:			
111	B1787000	VALVE CORE	
121	0161A00049	DRAINPAN, VERTICAL (M1, M2, M3, M4, M5, M6, M7, M8)	
121	0161A00052	DRAINPAN, VERTICAL (M9, M10, M11, M12)	
171	0270A01160	COIL TUBING ASSY (M1, M2, M3, M4)	
171	0270A01161	COIL TUBING ASSY (M5, M6)	
171	0270A01162	COIL TUBING ASSY (M9, M10)	
171	0270A01196	COIL TUBING ASSY (M7, M8)	
171	0270A01197	COIL TUBING ASSY (M11, M12)	
181	0161A00060	CONDENSATE, COLLECT, FRONT	
191	0161A00061	CONDENSATE, COLLECT, BACK	
201	0161A00053	DRAIN PAN HORIZONTAL, TALL (M9, M10, M11, M12)	
201	0161A00055	DRAINING PAN HORIZONTAL, SMALL (M1, M2, M3, M4, M5, M6, M7, M8)	
211	0161A00054	DRAIN PAN, EXTENSION, SMALL	
231	0121A00357	BRACKET, DRIP SHIELD (M9, M10, M11, M12)	
231	0121A00633	BRACKET, DRIP SHIELD (M1, M2, M3, M4, M5, M6, M7, M8)	
241	0154A00016	GASKET, PORON	
281	4P419914-1	THERMISTOR ASSY	
291	4PA38890-1	MOUNTING SPRING, THERMISTOR	
301	3P381420-2	EEV COIL	
311	4P399446-1	WATERPROOF CAP	
321	3S500051-1	PULSE MOTOR EXPANS EEV (M1, M2, M3, M4)	
321	3S500052-1	PULSE MOTOR EXPANS EEV (M5, M6)	
321	3S500053-1	PULSE MOTOR EXPANS EEV (M7, M8, M9, M10)	
321	3S500054-1	PULSE MOTOR EXPANS EEV (M11, M12)	
NS	0163M00175	CAP WITH O-RING	
NS	R3269031-7	FILTER	
NS	0259A00024	WIRE HARNESS ASSY	
NS	0259A00025	WIRE HARNESS ASSY	

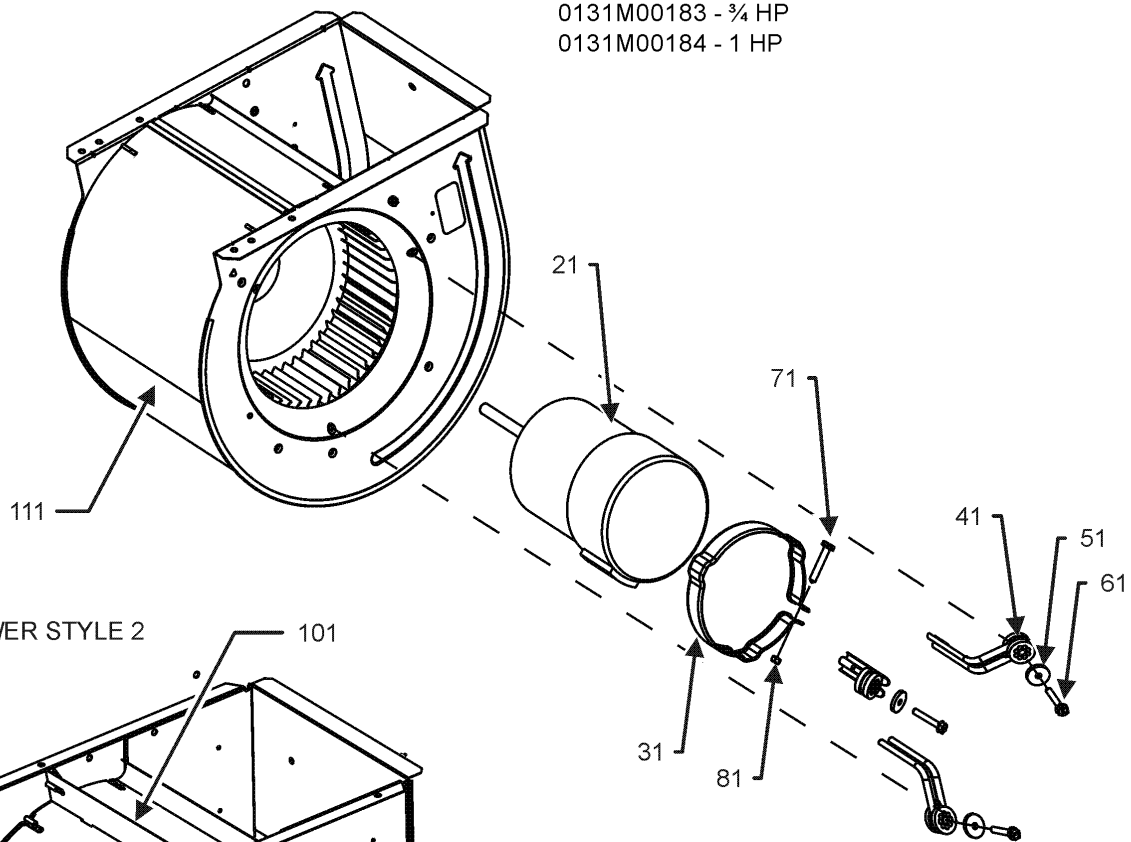
Expanded Model Nomenclature

M1 - FTQ18TAVJUAAA
M2 - FTQ18TAVJUDAA
M3 - FTQ24TAVJUAAA
M4 - FTQ24TAVJUDAA
M5 - FTQ30TAVJUAAA
M6 - FTQ30TAVJUDAA
M7 - FTQ36TAVJUAAA
M8 - FTQ36TAVJUDAA
M9 - FTQ42TAVJUAAA
M10 - FTQ42TAVJUDAA
M11 - FTQ48TAVJUAAA
M12 - FTQ48TAVJUDAA

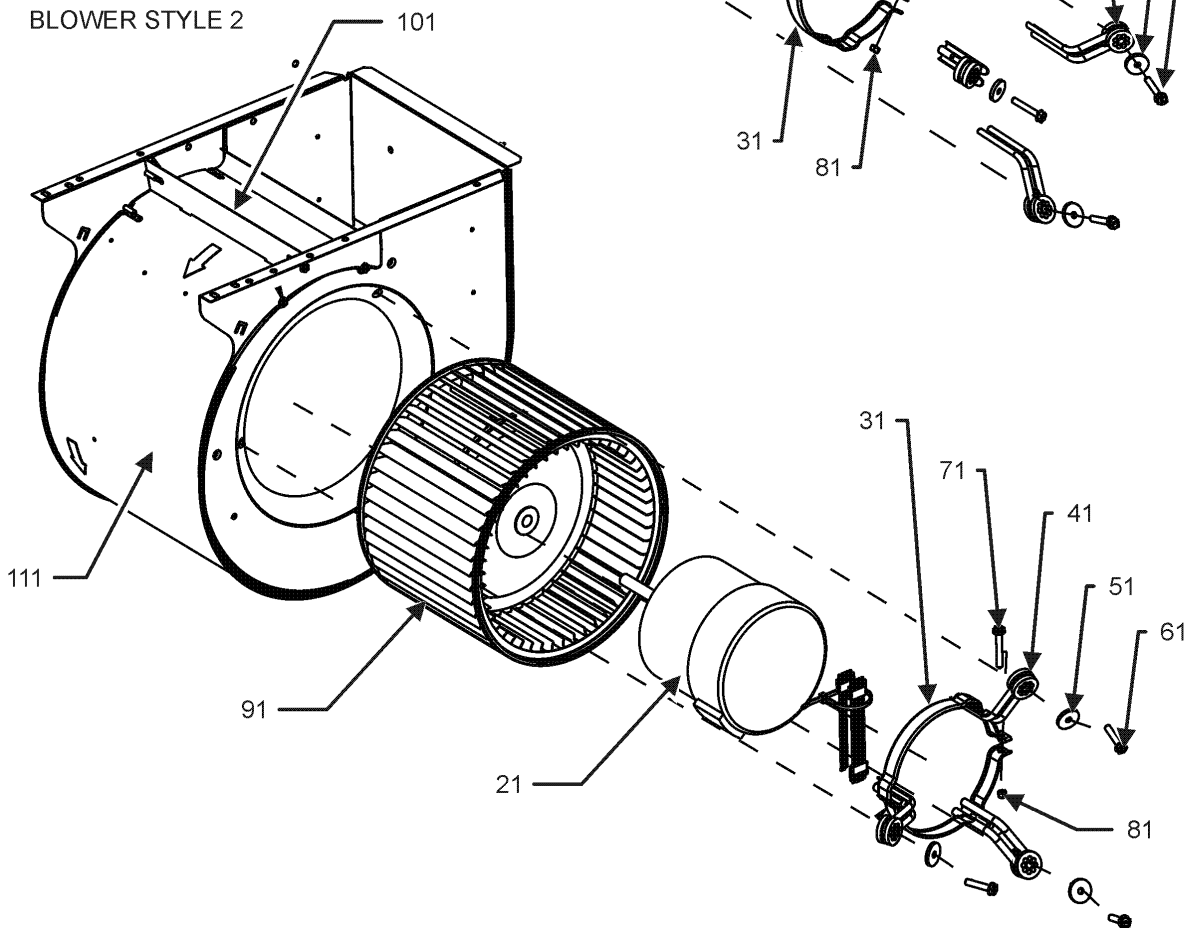
Blower Assembly

BLOWER STYLE 1

*If end bells are needed please order the following:
0131M00182 - 1/2 HP
0131M00183 - 3/4 HP
0131M00184 - 1 HP



BLOWER STYLE 2



Blower Assembly

Ref. Part No:	Ref. Part No:	Description:	Description:
---------------	---------------	--------------	--------------

Image 1:

21	0131M00270	MOTOR, 1/2 HP, SERIAL ECM (M1, M2, M3, M4, M5, M6, M7, M8)
21	0131M00271	MOTOR, 3/4 HP, SERIAL ECM (M9, M10, M11, M12)
31	0121M00038	MOTOR MOUNT BAND
41	B1376853	MOTOR MOUNT ARM (M9, M10, M11, M12)
41	B1376861	MOTOR MOUNT ARM (M1, M2, M3, M4, M5, M6, M7, M8)
51	B1392918	WASHER, FLAT 1/4 ID X 1 OD (QTY 3)
61	M0250565	TC SCREW 1.25" (QTY 3)
71	0163M00320	HEX HED ALL THREAD TAP BOLT
81	B1393800	LOCKNUT, NYLON, INSERT 1/4,20
91	B1368058	BLOWER WHEEL 10X8 (M9, M10, M11, M12)
101	764740	BLOWER BLOCK-OFF 10 X 8 (M9, M10, M11, M12)
111	0271A00029	BLOWER HOUSING ASSY 10 X 8 (M9, M10, M11, M12)
111	0271A00299	BLOWER SHELL ASSY 9X6,MORRISON (M1, M2, M3, M4, M5, M6, M7, M8)
NS	0259M00008	WIRE HARNESS

Expanded Model Nomenclature

M1 - FTQ18TAVJUAAA
M2 - FTQ18TAVJUDAA
M3 - FTQ24TAVJUAAA
M4 - FTQ24TAVJUDAA
M5 - FTQ30TAVJUAAA
M6 - FTQ30TAVJUDAA
M7 - FTQ36TAVJUAAA
M8 - FTQ36TAVJUDAA
M9 - FTQ42TAVJUAAA
M10 - FTQ42TAVJUDAA
M11 - FTQ48TAVJUAAA
M12 - FTQ48TAVJUDAA