

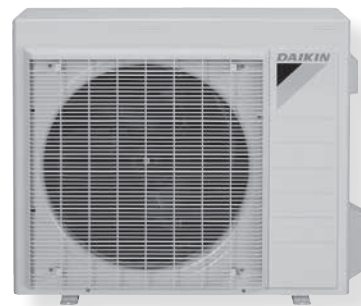


# 19 SERIES

## HIGH-EFFICIENCY WALL-MOUNTED DUCTLESS SYSTEMS

### PERFORMANCE:

- UP TO 19 SEER
- 12.5 EER
- 9.0 HSPF



### Product Features

- Inverter Compressor
- 208/230/1 Power Supply
- Cooling Range: -4° - 115° F (with optional wind baffle)
- Heating Range: -4° - 75° F (with optional drain pan heater as applicable)
- Pre-charged for up to 33 ft. of liquid line
- Indoor Sound Pressure as low as 19 dB(A)
- Outdoor Sound Pressures as low as 46 dB(A)
- Washable Air Filter
- Program Dry Function
- Econo Mode
- Powerful Operation Mode
- Wireless Remote Controller with backlit display
- Outdoor Unit quiet operation with backlight
- Auto Changeover (Heat Pump only)
- Auto Fan Speed Control
- Self-Diagnostics with digital display
- Auto Restart after power failure
- Anti-Corrosion Treatment on heat exchanger
- Max Piping (09/12 MBH): 66' length, 49' height
- Max Piping (18/24 MBH): 98' Length, 66' height
- Titanium Apatite photocatalytic air filter

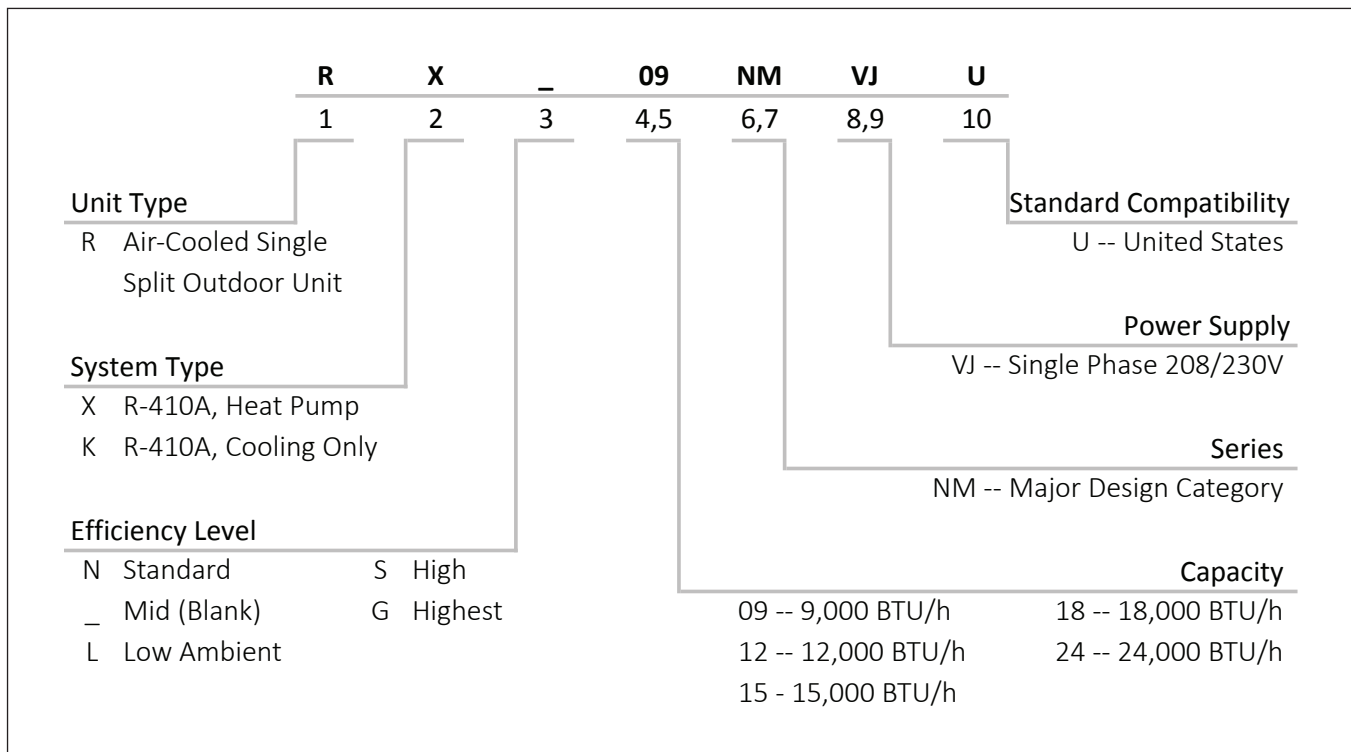
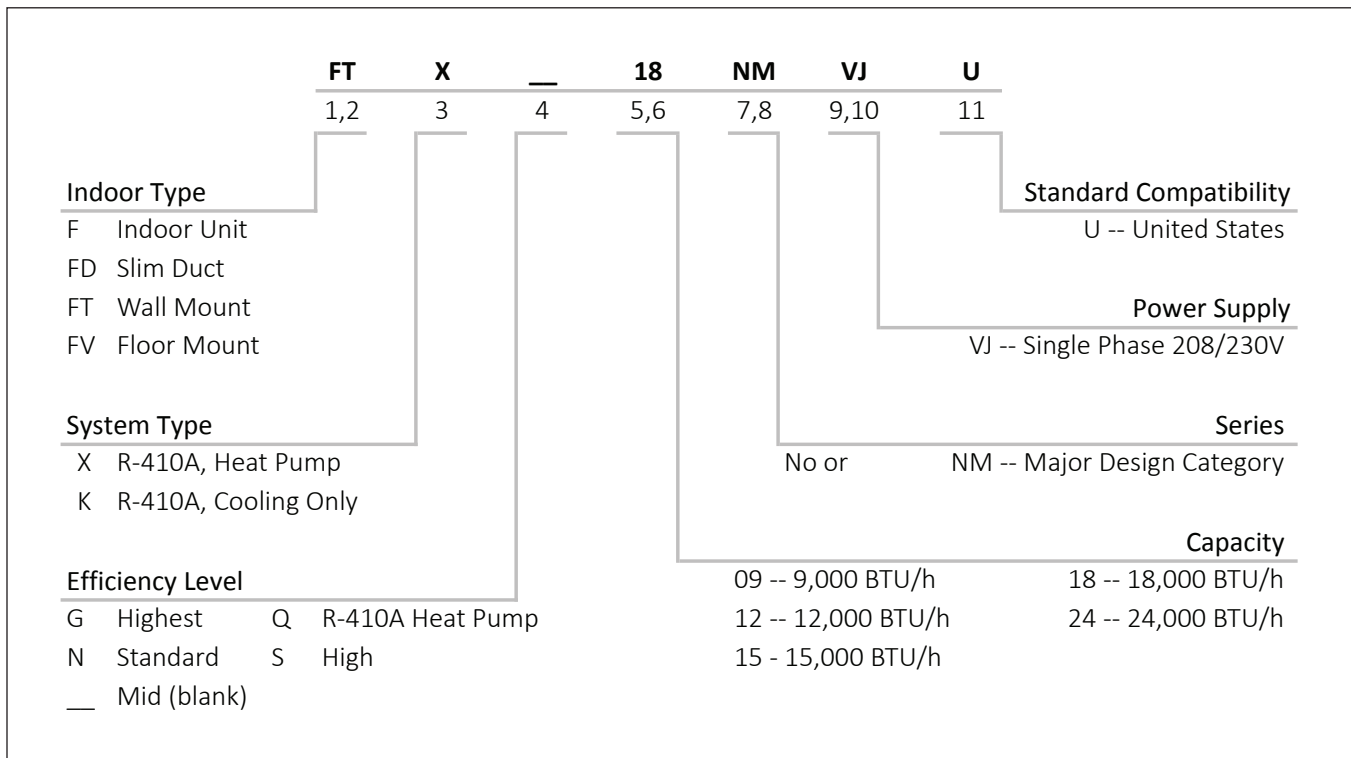


ENERGY STAR® and the ENERGY STAR mark are registered trademarks owned by the U.S. Environmental Protection Agency. ENERGY STAR products are third-party certified by an EPA-recognized Certification Body. Products that earn the ENERGY STAR prevent greenhouse gas emissions by meeting strict energy efficiency guidelines set by the U.S. Environmental Protection Agency.

This product meets ENERGY STAR requirements when appropriate coil components are used. Ask your contractor for details or visit [www.energystar.gov](http://www.energystar.gov).




\* Complete warranty details available from your local dealer or at [www.daikincomfort.com](http://www.daikincomfort.com). To receive the 12-Year Parts Limited Warranty, online registration must be completed within 60 days of installation. Online registration and some of the additional requirements are not required in California or Quebec.



| SYSTEM PERFORMANCE             |         |              |              |              |              |
|--------------------------------|---------|--------------|--------------|--------------|--------------|
| Nominal Capacity Class         |         | 9,000        | 12,000       | 18,000       | 24,000       |
| Cooling Capacity (Rated)       | BTU/h   | 9,000        | 10,900       | 18,000       | 21,200       |
| Cooling Capacity (Min – Max)   | BTU/h   | 4,400-10,200 | 4,400-13,300 | 5,500-20,000 | 5,500-24,000 |
| Heating Capacity (Rated)*      | BTU/h   | 10,000       | 13,500       | 21,600       | 24,000       |
| Heating Capacity (Min – Max)*  | BTU/h   | 4,400-13,000 | 4,400-16,400 | 5,500-24,000 | 5,800-27,600 |
| SEER                           |         | 19           | 19           | 18           | 18           |
| EER                            |         | 12.5         | 12.5         | 12.5         | 12.5         |
| COP                            |         | 4.06         | 3.8          | 3.6          | 3.5          |
| HSPF*                          |         | 9            | 9            | 9            | 9            |
| ELECTRICAL DATA                |         |              |              |              |              |
| Power Supply                   | V/Ph/Hz | 208-230/1/60 | 208-230/1/60 | 208-230/1/60 | 208-230/1/60 |
| Minimum Circuit Amps           | A       | 12.1         | 12.2         | 18.3         | 18.3         |
| Maximum Overcurrent Protection | A       | 15           | 15           | 20           | 20           |
| Power Consumption - Cooling    | kW      | 0.72         | 0.87         | 1.44         | 1.70         |
| Power Consumption - Heating*   | kW      | 0.72         | 1.04         | 1.76         | 2.01         |

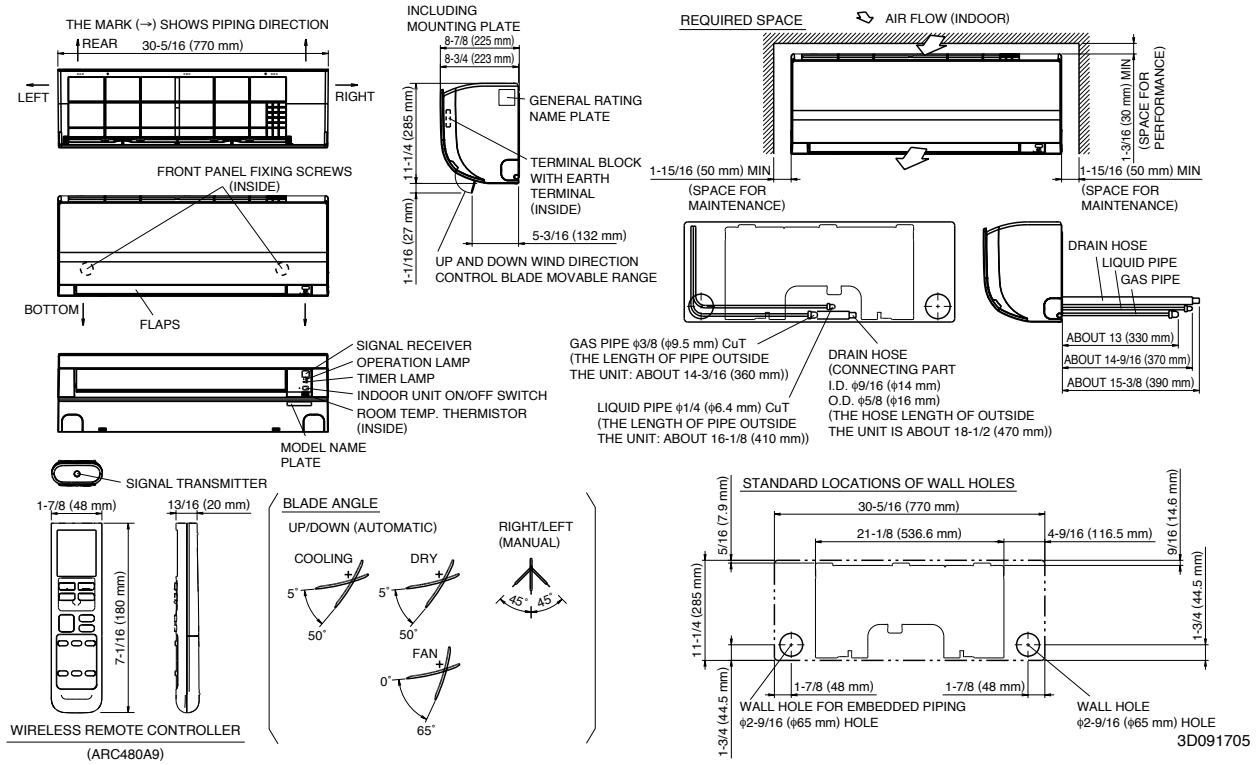
| INDOOR WALL-MOUNTED UNITS            |                  |     |                 |                 |                                  |                                  |
|--------------------------------------|------------------|-----|-----------------|-----------------|----------------------------------|----------------------------------|
| MODEL NAME                           | COOLING ONLY     |     | FTK09NMVJU      | FTK12NMVJU      | FTK18NMVJU                       | FTK24NMVJU                       |
|                                      | HEAT PUMP        |     | FTX09NMVJU      | FTX12NMVJU      | FTX18NMVJU                       | FTX24NMVJU                       |
| Moisture Removal                     | Q/hr             |     | 1.25            | 1.8             | 4.1                              | 4.75                             |
| Airflow-Wet (H/M/L/SL)               | CFM              |     | 417/297/244/141 | 434/311/247/145 | 713/579/448/403                  | 713/579/512/403                  |
| Airflow-Dry (H/M/L/SL)*              | CFM              |     | 403/328/251/215 | 413/321/258/219 | 745/604/470/420                  | 745/604/470/420                  |
| Sound Pressure - Cooling (H/M/L/SL)  | dB(A)            |     | 43/36/30/19     | 45/37/30/19     | 49/44/38/33                      | 53/45/39/34                      |
| Sound Pressure - Heating (H/M/L/SL)* | dB(A)            |     | 43/36/29/25     | 45/37/30/26     | 49/42/37/33                      | 53/43/37/34                      |
| Piping Connections                   | Liquid (O.D.)    | in. | ∅ ¼             | ∅ ¼             | ∅ ¼                              | ∅ ¼                              |
|                                      | Gas (O.D.)       | in. | ∅ ¾             | ∅ ¾             | ∅ ½                              | ∅ ¾                              |
|                                      | Condensate Drain | in. | ∅ ¾             | ∅ ¾             | ∅ 1 <sup>1</sup> / <sub>16</sub> | ∅ 1 <sup>1</sup> / <sub>16</sub> |
| Dimensions (H x W x D)               | in.              |     | 11¼ x 30¾ x 8¾  | 11¼ x 30¾ x 8¾  | 11½ x 39 x 10¾                   | 11½ x 39 x 10¾                   |
| Net Weight                           | lbs.             |     | 18              | 18              | 26                               | 26                               |

| OUTDOOR UNITS  |   |  |                 |                 |                |                |
|--|---|--|-----------------|-----------------|----------------|----------------|
| MODEL NAME   | COOLING ONLY  |  | RK09NMVJU       | RK12NMVJU       | RK18NMVJU      | RK24NMVJU      |
|  | HEAT PUMP  |  | RX09NMVJU       | RX12NMVJU       | RX18NMVJU      | RX24NMVJU      |
| Sound Pressure Level - Cooling/Heating*                                | dB(A)   |  | 46/48           | 49/49           | 54/54          | 55/55          |
| Operating Range - Cooling  | °F DB   |  | 50 - 115        | 50 - 115        | 50 - 115       | 50 - 115       |
| Operating Range - Low Ambient Cooling**                                | °F DB   |  | 14 - 115        | 14 - 115        | 14 - 115       | 14 - 115       |
| Operating Range - Cooling with Optional Wind Baffle**                  | °F DB   |  | -4 - 115        | -4 - 115        | -4 - 115       | -4 - 115       |
| Operating Range - Heating*   | °F DB   |  | 5 - 75          | 5 - 75          | 5 - 75         | 5 - 75         |
| Operating Range - Heating with Optional Drain Pan Heater as applicable | °F DB   |  | -4 - 75         | -4 - 75         | -4 - 75        | -4 - 75        |
| Max. Piping Length   | ft.   |  | 65.6            | 65.6            | 98.4           | 98.4           |
| Max. Piping Height   | ft.   |  | 49.2            | 49.2            | 65.6           | 65.6           |
| Dimensions (H x W x D)   | in.   |  | 21¾ x 26½ x 11¼ | 21¾ x 26½ x 11¼ | 29 x 34¼ x 12¾ | 29 x 34¼ x 12¾ |
| Net Weight   | lbs.  |  | 55              | 60              | 97             | 108            |

\*Applicable to heat pump models only

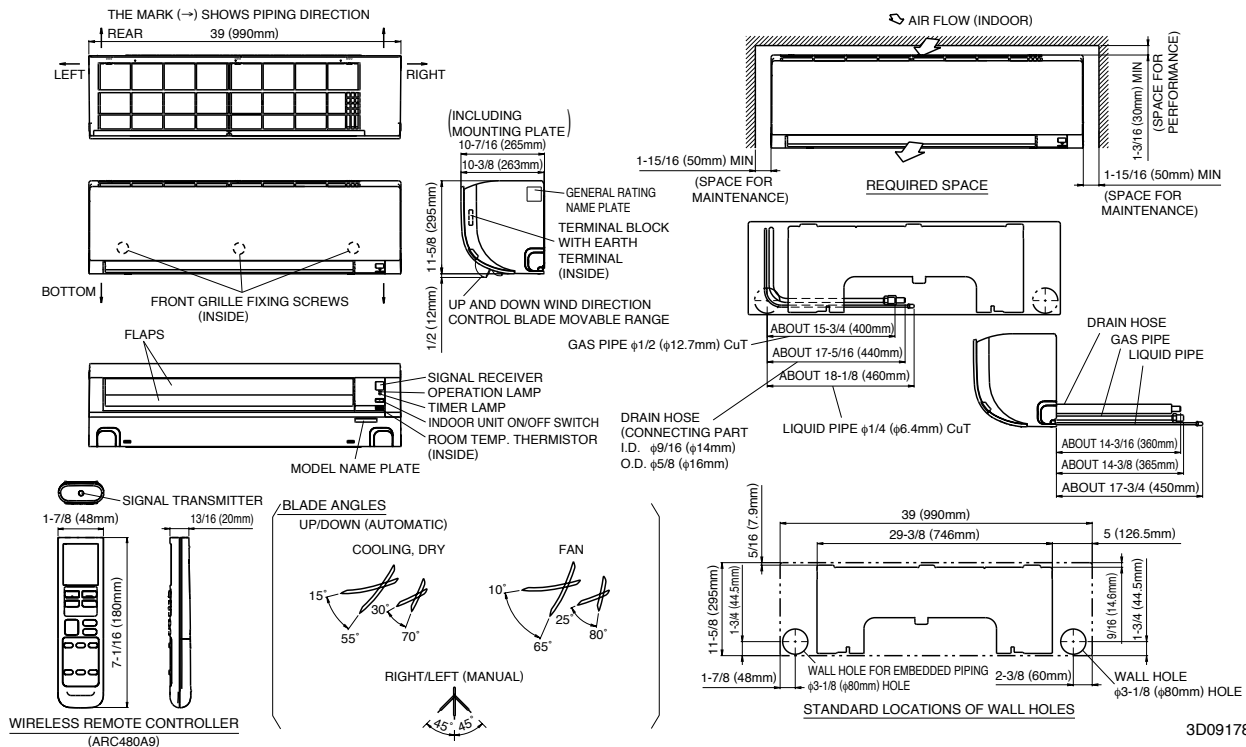
\*\*Cutting a jumper is required. Refer to installation manual.

**FTK09/12NMVJU**



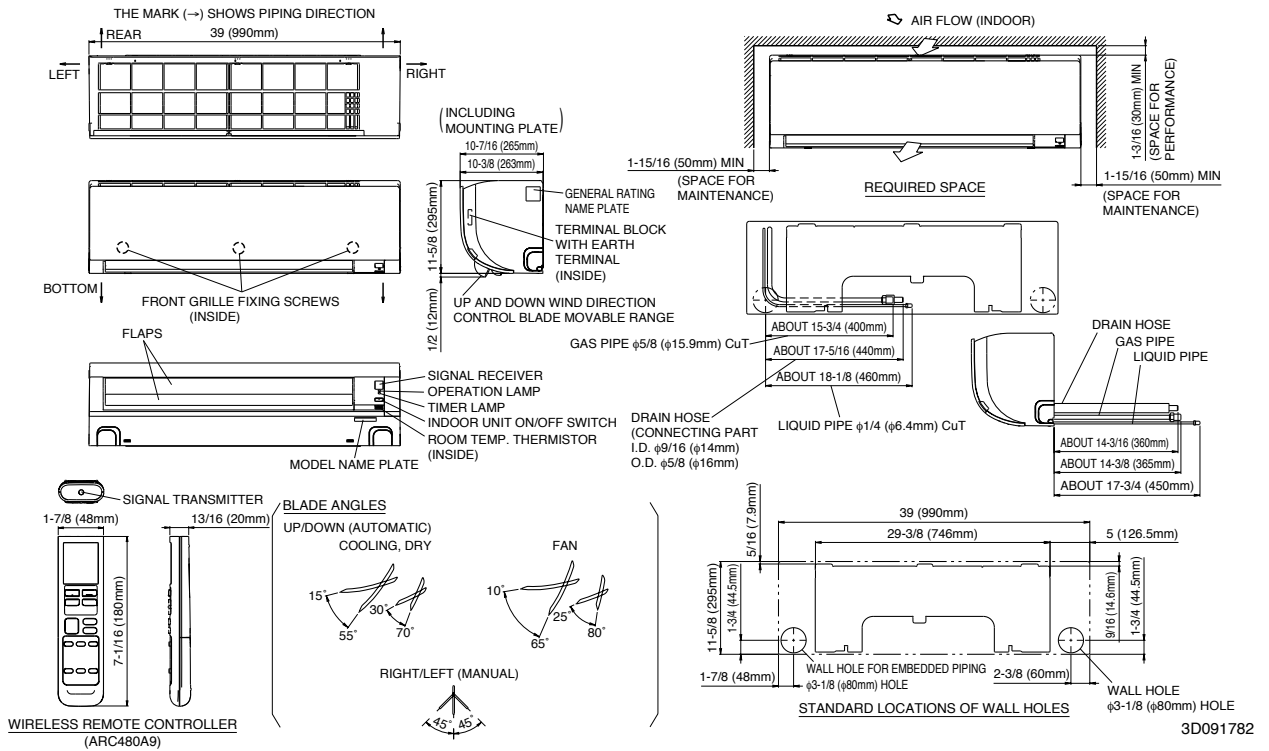
3D091705

**FTK18NMVJU**

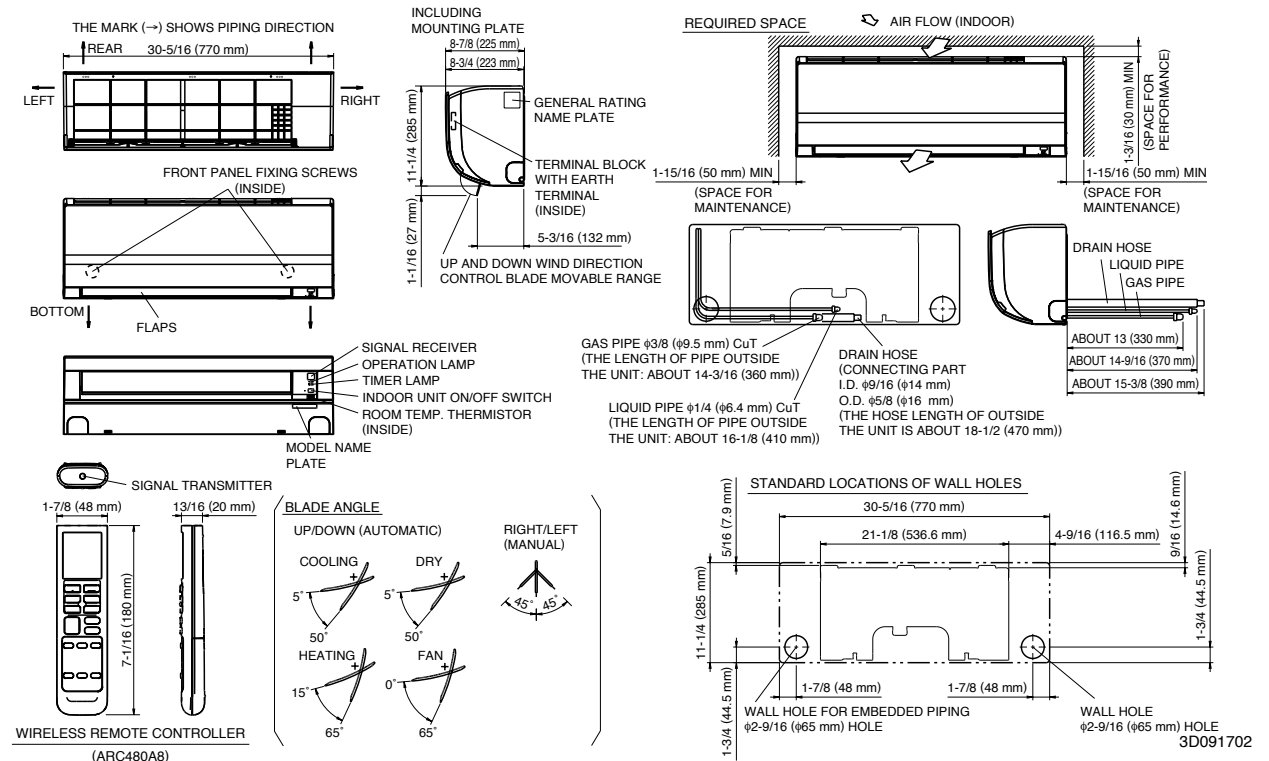


3D091781

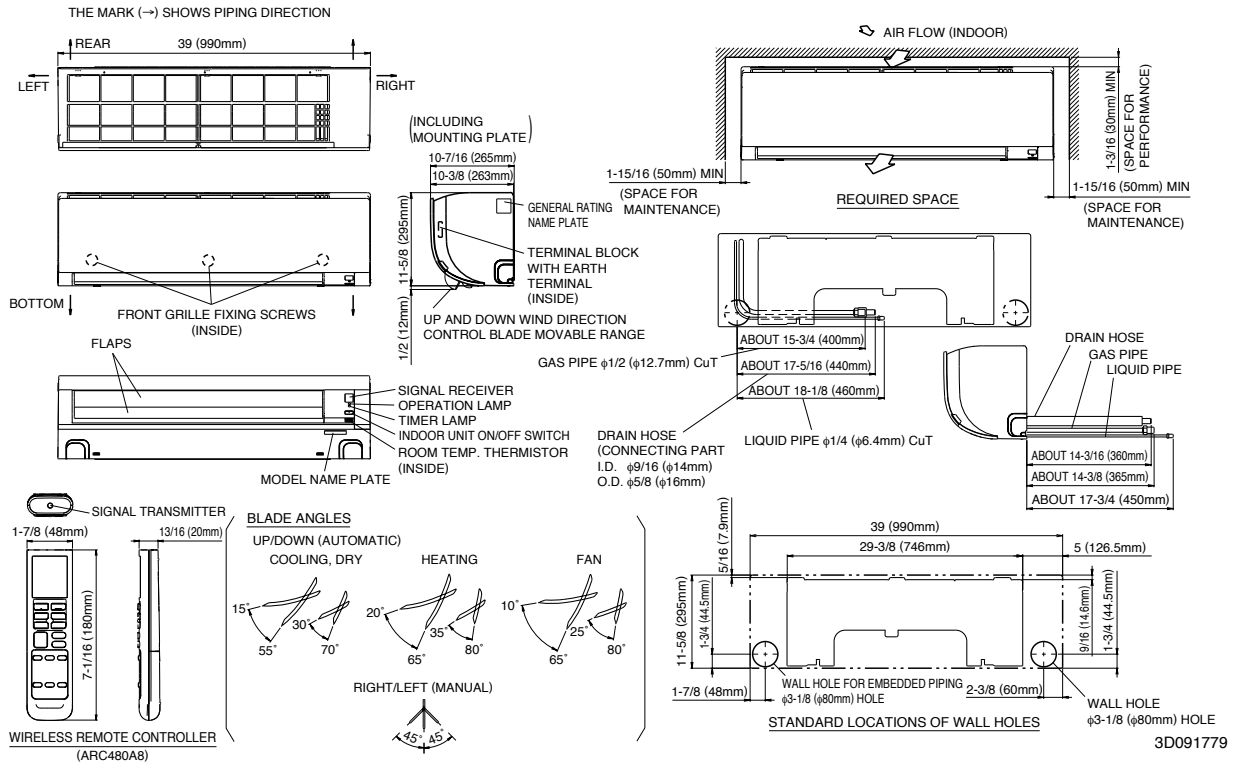
FTK24NMVJU



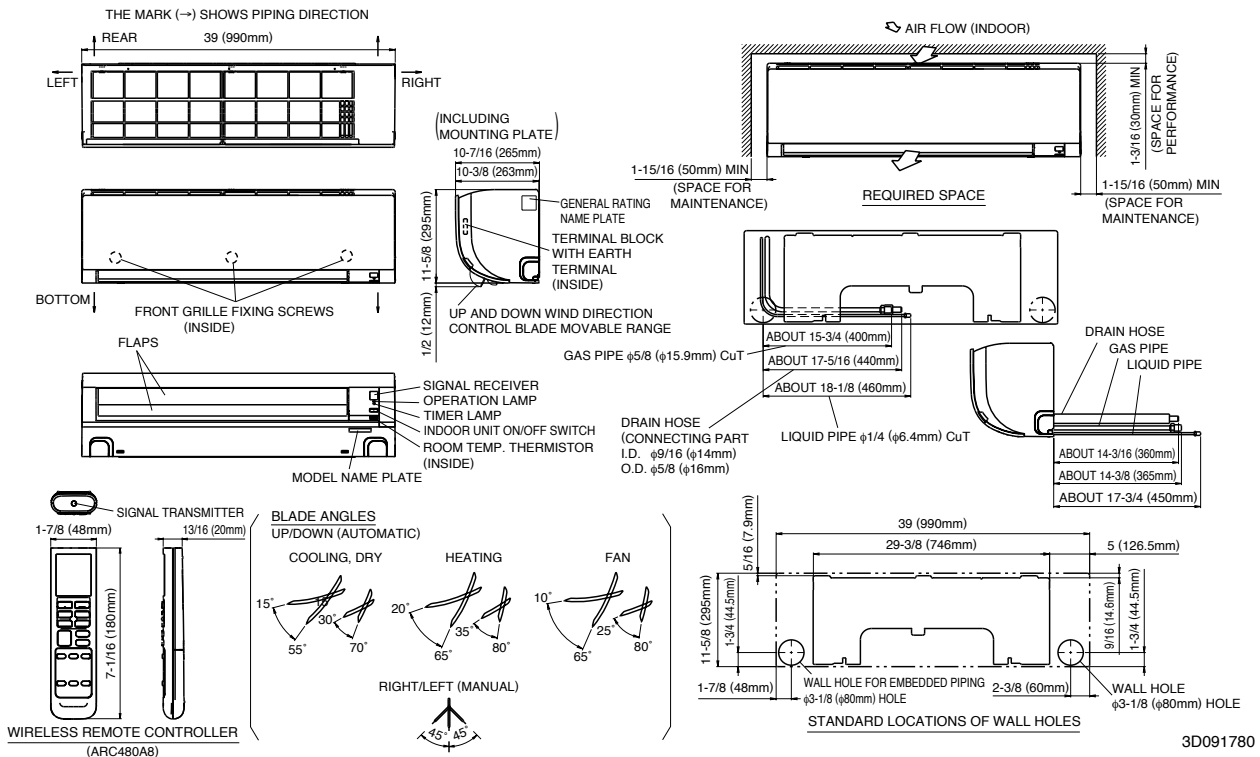
FTX09NMVJU, FTX12NMVJU



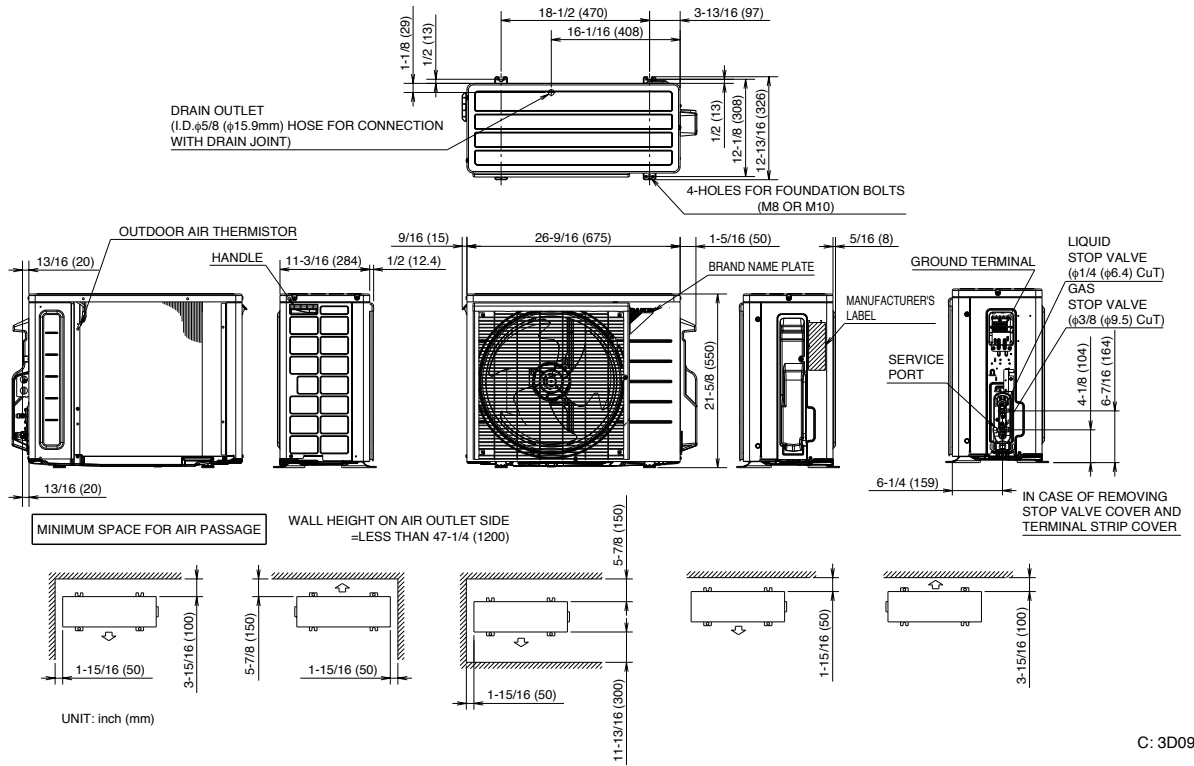
**FTX18NMVJU**



**FTX24NMVJU**

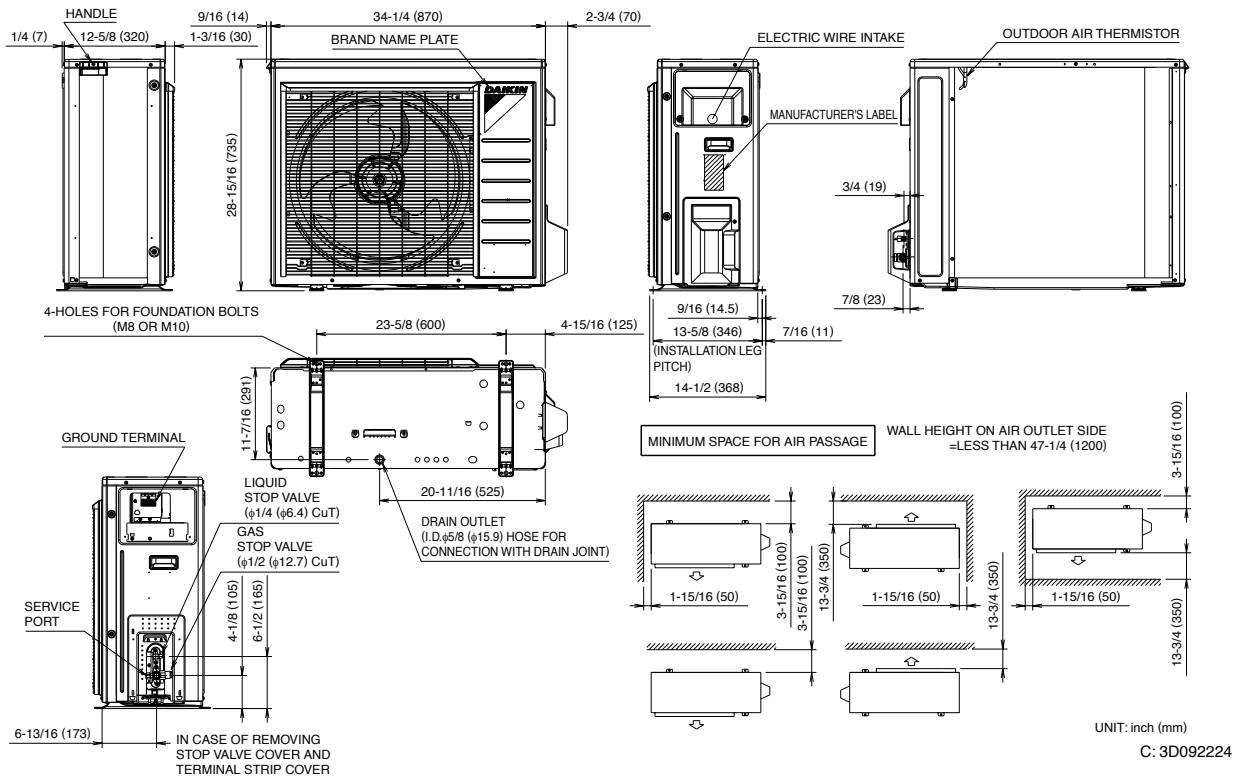


**RK09/12NMVJU, RX09/12NMVJU**



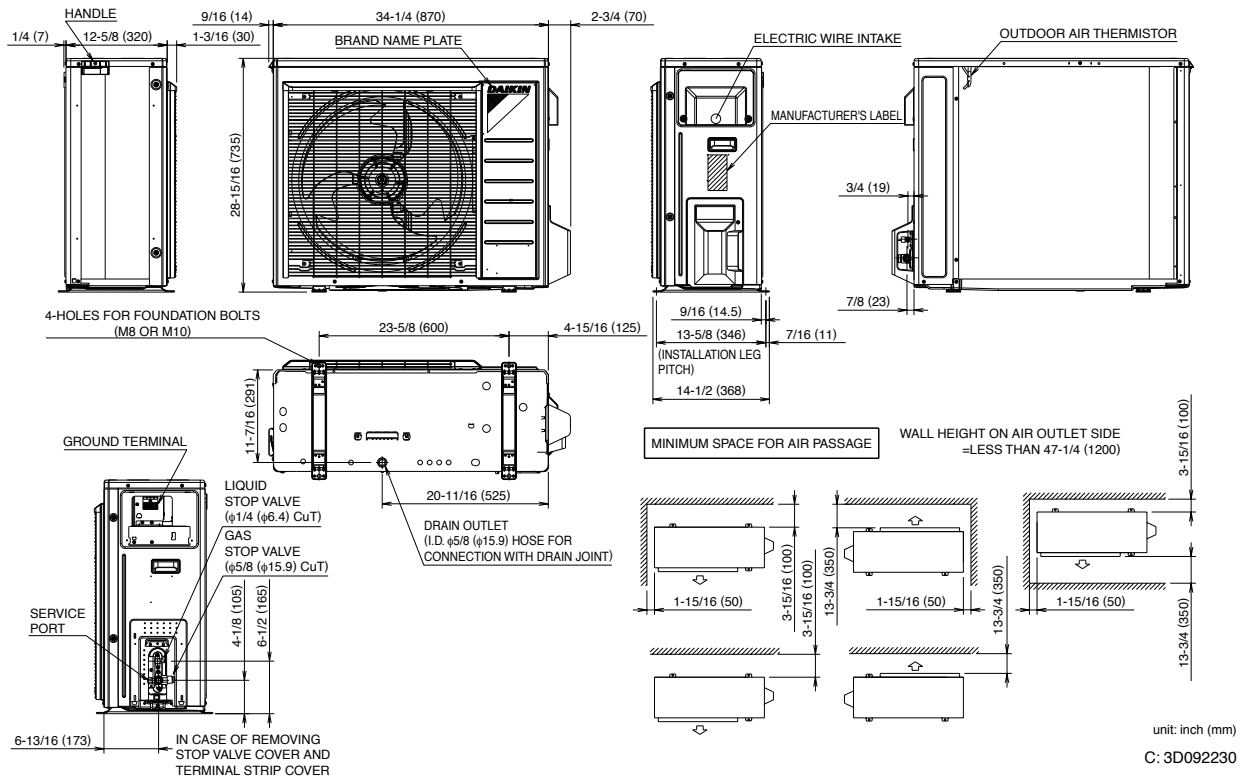
C: 3D092206

**RK18NMVJU, RX18NMVJU**



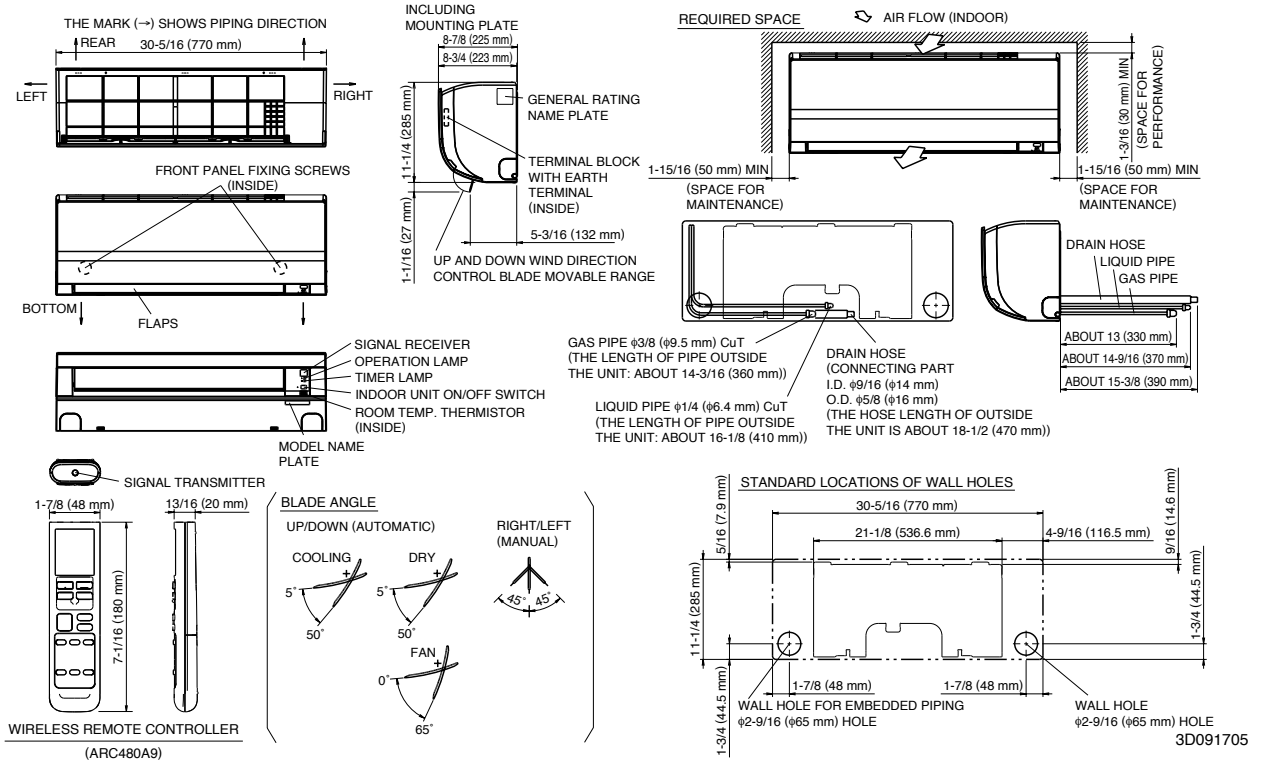
C: 3D092224

RK24NMVJU, RX24NMVJU

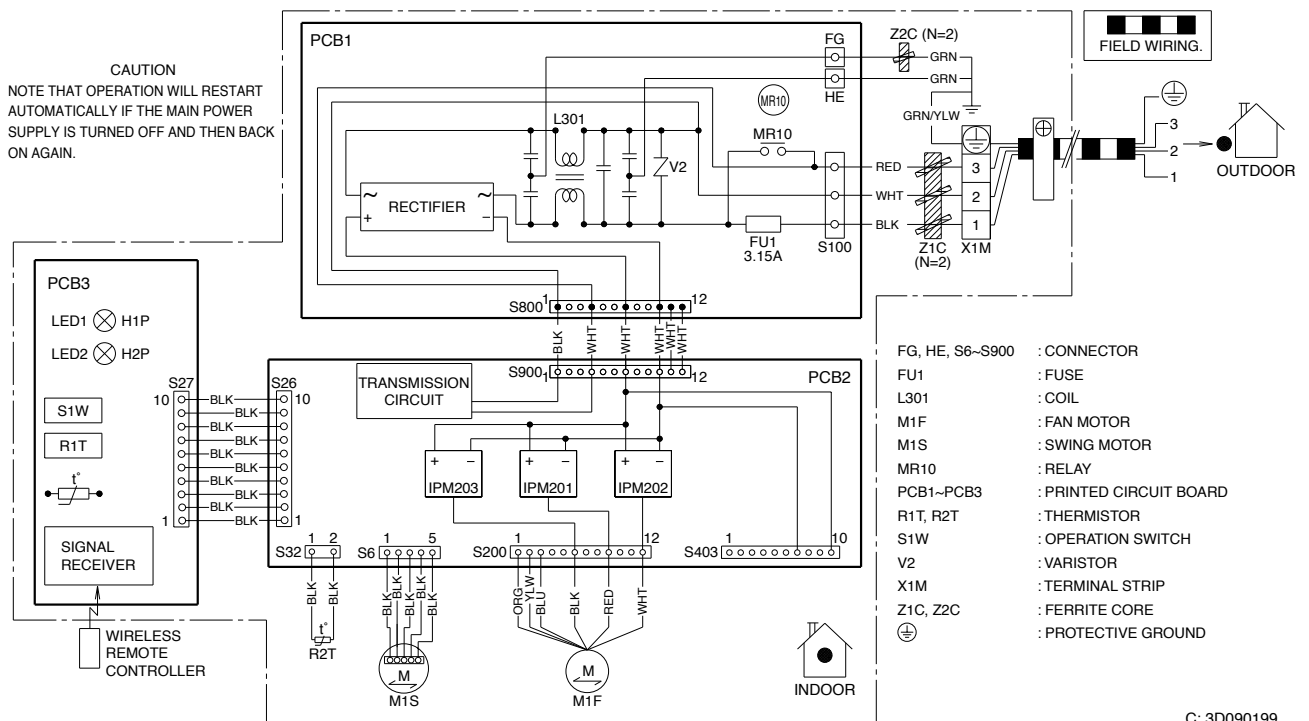




FTK09/12NMVJU

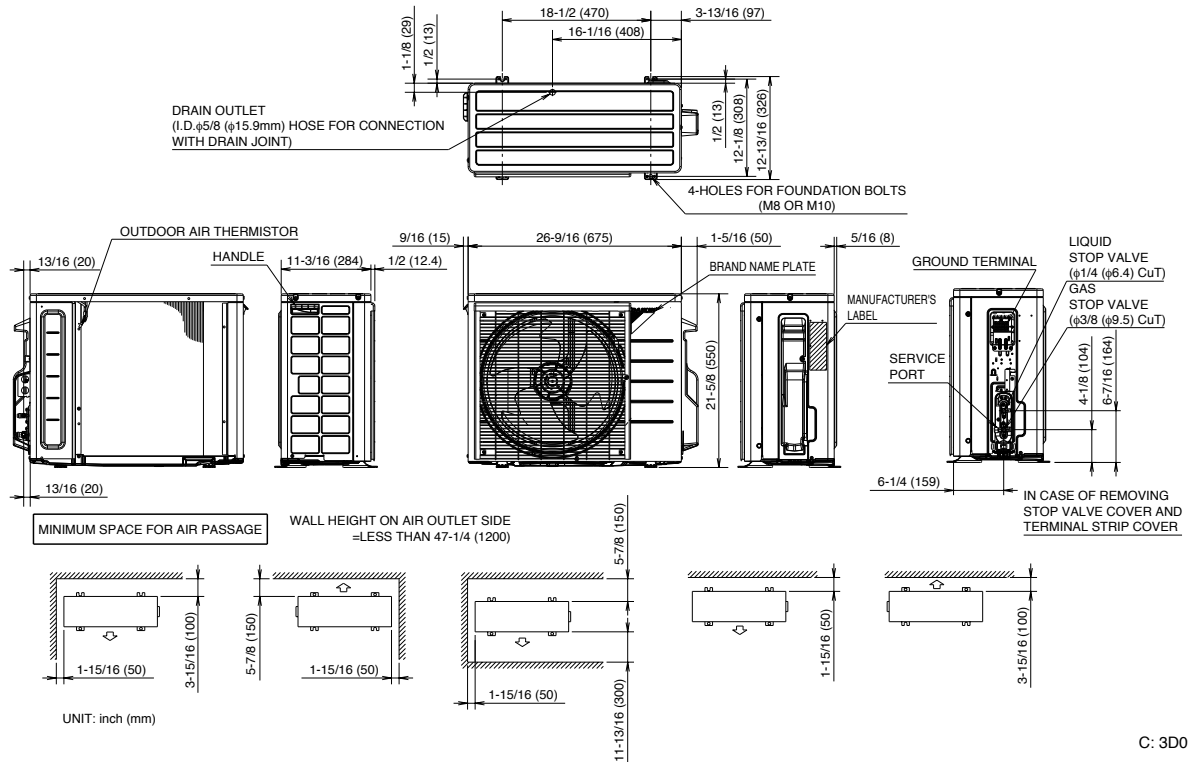


FTK18/24NMVJU, FTX18/24NMVJU



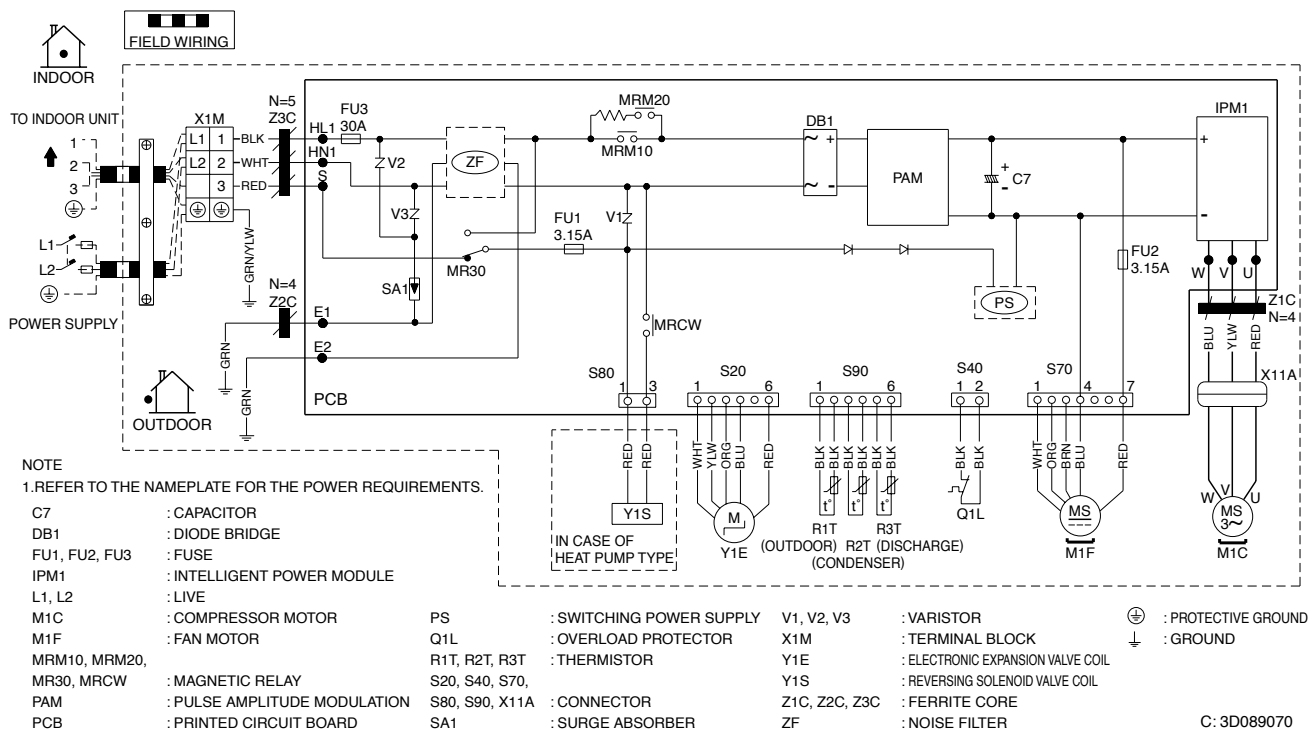
C: 3D090199

**RK09/12NMVJU, RX09/12NMVJU**



C: 3D092206

**RK18/24NMVJU, RX18/24NMVJU**



|              | ACCESSORY DESCRIPTION                                  | PART NUMBERS           |                          |
|--------------|--|------------------------|--------------------------|
|              |  | UNIT SIZES: 9 & 12     | UNIT SIZES: 18 & 24      |
| INDOOR UNIT  | Wired remote controller & adaptor                      | BRC944B2 + KRP067A41   | BRC944B2 + KRP980B2      |
|              | Cord for remote controller (3m)                        | BRCW901A03             | BRCW901A03               |
|              | Cord for remote controller (8m)                        | BRCW901A08             | BRCW901A08               |
|              | Five-room centralized controller                       | KRC72                  | KRC72                    |
|              | Adopter PCB (normal open/normal open pulse contact)    | KRP413AB1S + KRP067A41 | KRP413AB1S + KRP980B2    |
|              | Titanium apatite photocatalytic air-purifying filter** | KAF970A46              | KAF970A45 or KAF970A46** |
|              | Remote controller loss prevention with chain           | KKF936A4               | KKF936A4                 |
|              | Interface adaptor for DIII-NET use                     | KRP928BB2S + KRP067A41 | KRP928BB2S + KRP980B2    |
|              | Central remote controller                              | DCS302C71              | DCS302C71                |
|              | Unified ON/OFF controller                              | DCS301C71              | DCS301C71                |
|              | Schedule timer   | DST301BA61             | DST301BA61               |
|              | Standard remote controller for AC units                | ARC480A7               | ARC480A7                 |
|              | Standard remote controller for HP units                | ARC480A6               | ARC480A6                 |
|              | ENVi - WiFi enabled controller                         | DACA-TS1-1 + KRP067A41 | DACA-TS1-1 + KRP980B2    |
| OUTDOOR UNIT | Air direction adjustment grille                        | KPW937E4               | KPW063A4                 |
|              | Drain pan heater                                       | KEHO67A41E             | KEHO63A4E                |
|              | Drain plug*  | KKP937A4               | KKP937A4                 |
|              | Back protection wire net                               | KKG067A41              | KKG063A42                |
|              | Side protection wire net                               | N/A                    | KKG063A43                |

\* Standard accessory (Drain plug is only for Heat Pump models)

\*\* KAF970A46 filter without frame, KAF970A45 filter with frame

