

---

**SPLIT SYSTEM****Air Conditioners**

---

**MODELS****Ceiling Mounted Cassette type (Round Flow with Sensing Panel)****FCQ18TAVJU****FCQ24TAVJU****FCQ30TAVJU****FCQ36TAVJU****FCQ42TAVJU****FCQ48TAVJU**

English

Français

Español

---

Read these instructions carefully before installation.  
Keep this manual in a handy place for future reference.  
This manual should be left with the equipment owner.

Lire soigneusement ces instructions avant l'installation.  
Conserver ce manuel à portée de main pour référence  
ultérieure.  
Ce manuel doit être donné au propriétaire de l'équipement.

Lea cuidadosamente estas instrucciones antes de instalar.  
Guarde este manual en un lugar a mano para leer en caso  
de tener alguna duda.  
Este manual debe permanecer con el propietario del  
equipo.

---

## CONTENTS

1. SAFETY CONSIDERATIONS .....	[i] [ii]
2. BEFORE INSTALLATION .....	1
3. SELECTION OF INSTALLATION LOCATION.....	2
4. PREPARATION BEFORE INSTALLATION .....	4
5. INSTALLATION OF INDOOR UNIT .....	4
6. REFRIGERANT PIPING WORK.....	6
7. DRAIN PIPING WORK .....	7
8. ELECTRIC WIRING WORK.....	10
9. MOUNTING DECORATION PANEL .....	14
10. FIELD SETTING .....	15
11. TEST OPERATION .....	16


### 1. SAFETY CONSIDERATIONS


Read these SAFETY CONSIDERATIONS for Installation carefully before installing air conditioning equipment. After completing the installation, make sure that the unit operates properly during the startup operation.


Instruct the customer on how to operate and maintain the unit. Inform customers that they should store this Installation Manual with the Operation Manual for future reference.


Always use a licensed installer or contractor to install this product. Improper installation can result in water or refrigerant leakage, electrical shock, fire, or explosion.


Meanings of **DANGER**, **WARNING**, **CAUTION**, and **NOTE** Symbols:

 **DANGER** ..... Indicates an imminently hazardous situation which, if not avoided, will result in death or serious injury.

 **WARNING** ..... Indicates a potentially hazardous situation which, if not avoided, could result in death or serious injury.

 **CAUTION** ..... Indicates a potentially hazardous situation which, if not avoided, may result in minor or moderate injury. It may also be used to alert against unsafe practices.

 **NOTE** ..... Indicates situations that may result in equipment or property damage accidents only.

-  **DANGER**
- Refrigerant gas is heavier than air and replaces oxygen. A massive leak can lead to oxygen depletion, especially in basements, and an asphyxiation hazard could occur leading to serious injury or death.

- Do not ground units to water pipes, gas pipes, telephone wires, or lightning rods as incomplete grounding can cause a severe shock hazard resulting in severe injury or death. Additionally, grounding to gas pipes could cause a gas leak and potential explosion causing severe injury or death.
- If refrigerant gas leaks during installation, ventilate the area immediately. Refrigerant gas may produce toxic gas if it comes in contact with fire. Exposure to this gas could cause severe injury or death.
- After completing the installation work, check that the refrigerant gas does not leak throughout the system.
- Do not install unit in an area where flammable materials are present due to risk of explosions that can cause serious injury or death.
- Safely dispose of all packing and transportation materials in accordance with federal/state/local laws or ordinances. Packing materials such as nails and other metal or wood parts, including plastic packing materials used for transportation, may cause injuries or death by suffocation.

 **WARNING**

- Only qualified personnel must carry out the installation work. Installation must be done in accordance with this installation manual. Improper installation may result in water leakage, electric shock, or fire.
- When installing the unit in a small room, take measures to keep the refrigerant concentration from exceeding allowable safety limits. Excessive refrigerant leaks, in the event of an accident in a closed ambient space, can lead to oxygen deficiency.
- Use only specified accessories and parts for installation work. Failure to use specified parts may result in water leakage, electric shocks, fire, or the unit falling.
- Install the air conditioner on a foundation strong enough that it can withstand the weight of the unit. A foundation of insufficient strength may result in the unit falling and causing injuries.
- Take into account strong winds, typhoons, or earthquakes when installing. Improper installation may result in the unit falling and causing accidents.
- Make sure that a separate power supply circuit is provided for this unit and that all electrical work is carried out by qualified personnel according to local, state and national regulations. An insufficient power supply capacity or improper electrical construction may lead to electric shocks or fire.
- Make sure that all wiring is secured, that specified wires are used, and that no external forces act on the terminal connections or wires. Improper connections or installation may result in fire.
- When wiring, position the wires so that the control box cover can be securely fastened. Improper positioning of the control box cover may result in electric shocks, fire, or the terminals overheating.
- Before touching electrical parts, turn off the unit.

- This equipment can be installed with a Ground-Fault Circuit Interrupter (GFCI). Although this is a recognized measure for additional protection, with the grounding system in North America, a dedicated GFCI is not necessary.
- When installing or relocating the system, keep the refrigerant circuit free from substances other than the specified refrigerant (R410A) such as air. Any presence of air or other foreign substance in the refrigerant circuit can cause an abnormal pressure rise or rupture, resulting in injury.
- Do not change the setting of the protection devices. If the pressure switch, thermal switch, or other protection device is shorted and operated forcibly, or parts other than those specified by Daikin are used, fire or explosion may occur.

---

**⚠ CAUTION**

- Do not touch the switch with wet fingers. Touching a switch with wet fingers can cause electric shock.
- Do not allow children to play on or around the unit to prevent injury.
- Do not touch the refrigerant pipes during and immediately after operation as the refrigerant pipes may be hot or cold, depending on the condition of the refrigerant flowing through the refrigerant piping, compressor, and other refrigerant cycle parts. Your hands may suffer burns or frostbite if you touch the refrigerant pipes. To avoid injury, give the pipes time to return to normal temperature or, if you must touch them, be sure to wear proper gloves.
- Heat exchanger fins are sharp enough to cut. To avoid injury, wear glove or cover the fins when working around them.
- Install drain piping to proper drainage. Improper drain piping may result in water leakage and property damage.
- Insulate piping to prevent condensation.
- Be careful when transporting the product.
- Do not turn off the power supply immediately after stopping operation. Always wait for at least 5 minutes before turning off the power supply. Otherwise, water leakage may occur.
- Do not use a charging cylinder. Using a charging cylinder may cause the refrigerant to deteriorate.
- Refrigerant R410A in the system must be kept clean, dry, and tight.
  - (a) Clean and Dry -- Foreign materials (including mineral oils such as SUNISO oil or moisture) should be prevented from getting into the system.
  - (b) Tight -- R410A does not contain any chlorine, does not destroy the ozone layer, and does not reduce the earth's protection against harmful ultraviolet radiation. R410A can contribute to the greenhouse effect if it is released. Therefore take proper measures to check for the tightness of the refrigerant piping installation. Read the chapter REFRIGERANT PIPING WORK and follow the procedures.
- Since R410A is a blend, the required additional refrigerant must be charged in its liquid state. If the refrigerant is charged in a gaseous state, its composition can change and the system will not work properly.

- The indoor unit is for R410A. See the catalog for indoor models that can be connected. Normal operation is not possible when connected to other units.
- Handheld remote controller transmitting distance can be shorter than expected in rooms with electronic fluorescent lamps (inverter or rapid start types). Install the indoor unit far away from fluorescent lamps as much as possible.
- Indoor units are for indoor installation only. Outdoor units can be installed either outdoors or indoors.
- Do not install the air conditioner in the following locations:
  - (a) Where a mineral oil mist or oil spray or vapor is produced, for example, in a kitchen. Plastic parts may deteriorate and fall off or result in water leakage.
  - (b) Where corrosive gas, such as sulfurous acid gas, is produced. Corroding copper pipes or soldered parts may result in refrigerant leakage.
  - (c) Near machinery emitting electromagnetic waves. Electromagnetic waves may disturb the operation of the control system and cause the unit to malfunction.
  - (d) Where flammable gas may leak, where there is carbon fiber, or ignitable dust suspension in the air, or where volatile flammables such as thinner or gasoline are handled. Operating the unit in such conditions can cause a fire.

---

**⚠ NOTE**

- Install the power supply and control wires for the indoor and outdoor units at least 3.5 feet (1.0 m) away from televisions or radios to prevent image interference or noise. Depending on the radio waves, a distance of 3.5 feet (1.0 m) may not be sufficient to eliminate the noise.
  - Dismantling the unit, treatment of the refrigerant, oil and additional parts must be done in accordance with the relevant local, state, and national regulations.
  - Do not use the following tools that are used with conventional refrigerants: gauge manifold, charge hose, gas leak detector, reverse flow check valve, refrigerant charge base, vacuum gauge, or refrigerant recovery equipment.
  - If the conventional refrigerant and refrigerator oil are mixed in R410A, the refrigerant may deteriorate.
  - This air conditioner is an appliance that should not be accessible to the general public.
  - As design pressure is 478 psi (3.3 MPa), the wall thickness of field-installed pipes should be selected in accordance with the relevant local, state, and national regulations.
-





## 2. BEFORE INSTALLATION


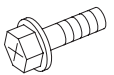
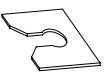


When unpacking the indoor unit or moving the unit after unpacked, hold the hangers (4 places) and do not apply force to other parts (particularly refrigerant piping, drain piping and resin parts).

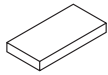
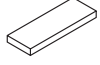
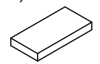


- Make sure to check in advance that the refrigerant to be used for installation work is R410A.  
The air conditioner will not operate properly without the correct refrigerant.
- For installation of the outdoor unit, refer to the installation manual attached to the outdoor unit.
- Do not throw away the accessories until the installation work is completed.
- After the indoor unit is carried into the room, to avoid the indoor unit from getting damaged, take measures to protect the indoor unit with packing materials until the installation begins.
  - Determine the route to carry the unit into the room.
  - Do not unpack the unit until it is carried to the installation location.  
Where unpacking is unavoidable, use a sling of soft material or protective plates together with a rope when lifting, to avoid damage or scratches to the indoor unit.
- Have the customer actually operate the air conditioner while looking at the operation manual.  
Instruct the customer how to operate the air conditioner (particularly cleaning of the air filters, operation procedures, and temperature adjustment).
- For selection of installation location, use the installation pattern paper as reference.
- Do not use the air conditioner where in the salty atmosphere such as coastal areas, vehicles, vessels or the voltage fluctuation is frequent such as factories.
- Take off static electricity from the body when carrying out wiring and the control box cover is removed.  
The electric parts may be damaged.




### 2-1 ACCESSORIES

Check if the following accessories are attached to the indoor unit.

Name	(1) Drain hose	(2) Metal clamp	(3) Washer for hanger	(4) Clamp
Quantity	1 pc.	1 pc.	8 pcs.	7 pcs.
Shape				

Name	(5) Installation pattern paper	(6) Screw (M4)	(7) Washer fixing plate	Joint insulating material
Quantity	1 sheet	4 pcs.	4 pcs.	1 each
Shape	Used as packing material 			 (8) For gas piping  (9) For liquid piping

Name	Sealing material		
Quantity	1 each	1 sheet	1 pc.
Shape	(10) Large  (11) Medium-1 	(12) Medium-2 	(13) Small  (14) 

Name	(15) Installation guide	(16) Insulation tube	Conduit mounting plate	(Miscellaneous) • Operation Manual • Installation Manual • Warranty Card
Quantity	1 sheet	1 pc.	1 pc.	
Shape			(17) 	

- Screws for fixing the panel are attached to the decoration panel.

### 2-2 OPTIONAL ACCESSORIES

- This indoor unit separately requires a decoration panel and a remote controller.
- Confirm if a decoration panel shown in the Table 1 is prepared and meets your model.  
(Refer to the installation manual attached to the decoration panel for how to install.)

Table 1

Unit model	Optional decoration panel
FCQ 18 · 24 · 30 · 36 · 42 · 48TAVJU	BYCQ125BGW1, BYCQ125B-W1 Color : Fresh white

Table 2

Remote Controller Model	
Wired type	BRC1E73

- Install the remote controller to the place where the customer has given consent.  
Refer to the catalog for the applicable model.  
(Refer to the installation manual attached to the remote controller for how to install.)

**CARRY OUT THE WORK GIVING CAUTION TO THE FOLLOWING ITEMS AND AFTER THE WORK IS COMPLETED CHECK THESE AGAIN.**

**(1) Items to be checked after completion of work**

Items to be checked	In case of defective	✓
Are the indoor and outdoor units rigidly fixed?	Drop · vibration · noise	
Are the installation works of the outdoor and indoor units completed?	Does not operate · burnout	
Have you carried out a leakage test with the test pressure specified in the outdoor unit installation manual?	Does not cool / Does not heat	
Is the insulation of refrigerant piping and drain piping completely carried out?	Water leakage	
Does the drain flow out smoothly?	Water leakage	
Is the power supply voltage identical to that stated in the manufacturer's label on the air conditioner?	Does not operate · burnout	
Are you sure that there is no wrong wiring or piping or no loose wiring?	Does not operate · burnout	
Is grounding completed?	Danger in case of leakage	
Are the sizes of electric wiring according to the specification?	Does not operate · burnout	
Are any of air outlets or inlets of the indoor and outdoor units blocked with obstacles? If so, it could cause the capacity to drop due to fan-speed drop or malfunction of equipment.	Does not cool / Does not heat	
Have you recorded the refrigerant piping length and the refrigerant charge added?	Refrigerant charge amount is not clear	

Make sure to recheck the items of **SAFETY CONSIDERATIONS**.

**(2) Items to be checked at time of delivery**

Items to be checked	✓
Have you carried out field setting? (if necessary)	
Are the control box cover, the air filter, and the suction grille attached?	
Does the cool air discharge during the cooling operation and the warm air discharge during the heating operation? Have you checked to make sure the indoor unit does not make unpleasant air-discharge sounds?	
Have you explained how to operate the air conditioner while showing the operation manual to the customer?	
Have you explained to the customer the description of cooling, heating, program dry and automatic (cooling/heating) while showing the operation manual to the customer?	
If you set the fan speed at thermostat OFF, did you explain the set fan speed to the customer?	
Have you handed the operation manual and the installation manual to the customer?	

**(3) Points of the operation explanation**

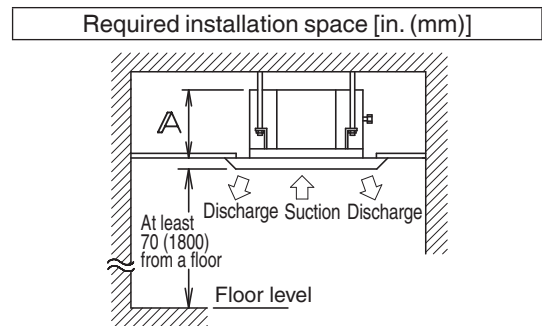
In addition to the general usage, since the items in the operation manual with the **⚠ WARNING** and **⚠ CAUTION** marks are likely to result in human bodily injuries and property damages, it is necessary not only to explain these items to the customer but also to have the customer read them.

**3. SELECTION OF INSTALLATION LOCATION**

Hold the hangers at 4 locations to move the indoor unit when unpacking or after unpacked, and do not apply force to the piping (refrigerant and drain) and resin parts. If the temperature and humidity in the ceiling is likely to exceed 86°F (30°C), RH80%, use the optional kit for coping with high temperature and humidity, or additionally stick the insulation to the indoor unit. Use the insulation such as glass wool or polyethylene that has thickness of 3/8 in. (10 mm) or more. However, keep the insulated outside dimension smaller than the ceiling opening so that the unit may go through the opening at installation.

The direction of air discharge for this product can be selected. Sealing material of air discharge outlet is available option for 4-way with sealed corners, and 3-way.

- (1) Select the installation location that meets the following conditions and get approval of the customer.**
- Where the cool and warm air spreads evenly in the room.
  - Where there are no obstacles in the air passage.
  - Where drainage can be ensured.
  - Where the ceiling surface is not inclined.
  - Where there is sufficient strength to withstand the mass of the indoor unit. If the strength is insufficient, the indoor unit may vibrate and get in contact with the ceiling and generate noise.
  - Where a space sufficient for installation and service can be ensured. **(Refer to Fig. 1)**
  - Where the piping length between the indoor and the outdoor units is ensured within the allowable length. Refer to the installation manual attached to the outdoor unit.
  - Where there is no risk of flammable gas leak.



**Fig. 1**

MODEL NAME	A [in. (mm)]	
	BYCQ125B-W1	BYCQ125BGW1
18 · 24	10 (256)	13-1/4 (336)
30 · 36 · 42 · 48	11-3/4 (298)	14-7/8 (378)



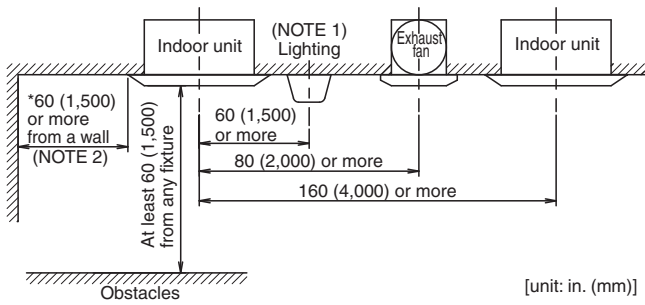


Fig. 2

**CAUTION**

- Any vents, light fixtures, or other appliances which may disturb the airflow might stain the ceiling if too close, so follow Fig. 2 when installing.

Note)

- This restriction applies to the exposed type lighting, but does not apply to the recessed type, which does not protrude below the ceiling line.
- The clearance from the wall (indicated with \*) must be 20 in. (500 mm) or more if the air outlet is closed or the horizontal blade is set to Airflow block and, if the corners (left and right corners of the target air outlet) are also closed by 8 in. (200 mm) or more.

For how to set the airflow direction (including Airflow block) with the horizontal blade, refer to **Individual Airflow Direction** in the operation manual attached to the remote controller.

- Install the indoor and outdoor units, power supply wiring, remote controller wiring and transmission wiring at least 3.3 ft. (1 m) away from televisions or radios to prevent image interference or noise. (Depending on the radio waves, a distance of 3.3 ft. (1 m) may not be sufficient to eliminate the noise.)
- Install the indoor unit as far as possible from fluorescent lamps.
- Localized temperature difference from the room temperature, if too large, can affect how the infrared floor sensor judges. (This may occur, for example, in an area where floor heating/high-temperature heat generating equipment is installed.)
- Each sensor has been set so that the center of the sensing area is located in the center of the product 32 in. (800 mm) above the floor (in case of the infrared presence sensor) or 0 in. (0 mm) above the floor (in case of the infrared floor sensor) when the ceiling height is approximately 8-3/4 ft. (2.7 m).

**(2) Ceiling height**

- This indoor unit can be installed in a space of which ceiling height is up to 11-1/2 ft. (3.5 m) (Type 30 · 36 · 42 · 48: 13-3/4 ft. (4.2 m))
- However, if the ceiling height exceeds 8-3/4 ft. (2.7 m) (Type 30 · 36 · 42 · 48: 10-1/2 ft. (3.2 m)), it is necessary to set from the remote controller on site. Refer to the section **10. FIELD SETTING**.

**(3) Direction of the air discharge**

- Select the number of directions of the optimum air discharge for the shape or the position of the room.
- The number of directions of the air discharge can be changed by installing a sealing material.
- When installing a sealing material, the field setting from the remote controller is required. For details, refer to the operation manual attached to the sealing materials. (It is set to the setting position number **01** (Standard · All round outlet) when shipped from the factory.)
- To use the optional sealing material kit to change the setting of air discharge direction (4-way blow type (with corners sealed)/3-way blow type), refer to the installation manual attached to it.

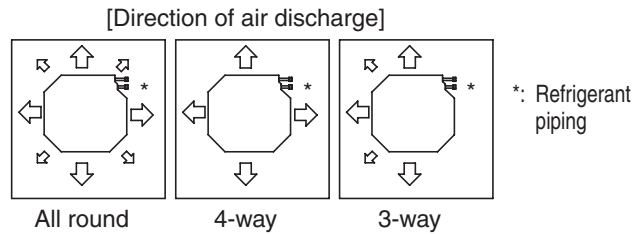


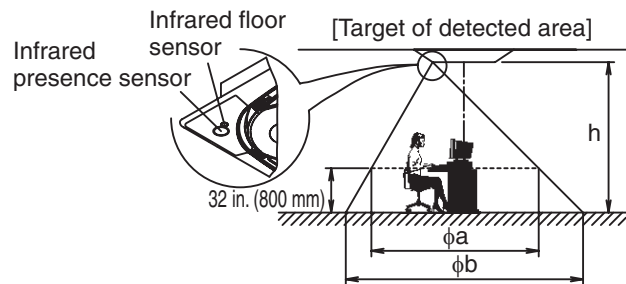
Fig. 3

**(4) Use suspension bolt for installation.**

Investigate if the installation place can withstand the mass of the indoor unit and, if necessary, hang the indoor unit with bolts after it is reinforced by beams etc. (Refer to the installation pattern paper (5) for the mounting pitch.)

**(5) Infrared presence/floor sensor's sensing area**

The sensing area is as shown in the figure below.



Indoor unit installation height h [ft. (m)]	8-3/4 (2.7)	11-1/2 (3.5)	13 (4.0)
Infrared presence sensor $\phi a$ [ft. (m)]	Approx. 28 (8.5)	Approx. 37-1/2 (11.5)	Approx. 44-1/2 (13.5)
Infrared floor sensor $\phi b$ [ft. (m)]	Approx. 36 (11)	Approx. 46 (14)	Approx. 52-1/2 (16)

## 4. PREPARATION BEFORE INSTALLATION

- (1) Check the relation of location between the ceiling opening and the indoor unit suspension bolts.

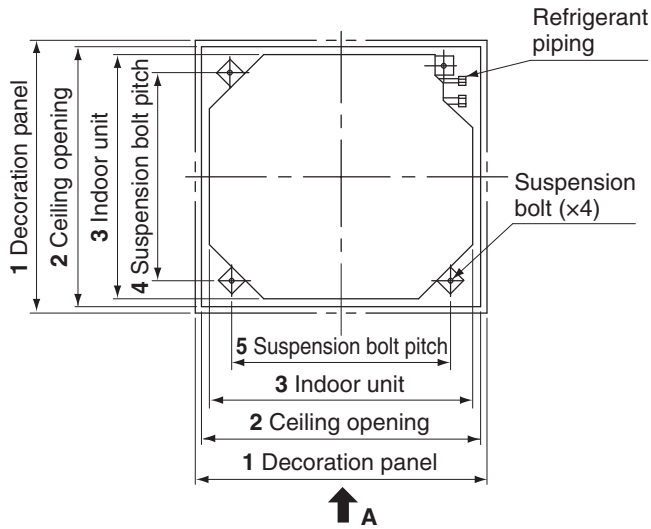
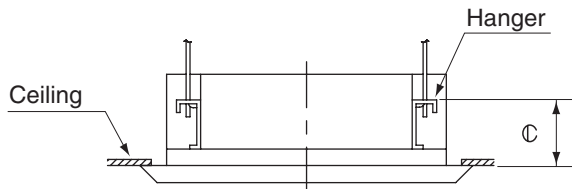


Fig. 4

[unit: in. (mm)]

1	37-3/8 (950)
2	33-7/8 – 35-7/8 (860 – 910)
3	33-1/16 (840)
4	30-3/4 (780)
5	28 (710)




View as seen from A

Fig. 5

Decoration Panel	BYCQ125B-W1	BYCQ125BGW1
C in. (mm)	4-15/16 – 5-1/8 (125 – 130)	8-1/16 – 8-1/4 (205 – 210)

### ⚠ CAUTION

Reduce the distance between the unit and ceiling to 1-3/8 in. (35 mm) or below in order to maintain an overlapping panel margin 13/16 in. (20 mm) for the opening on the ceiling. If the distance exceeds 1-3/8 in. (35 mm), attach ceiling material to the part marked  or replace the ceiling. (Refer to Fig. 6)

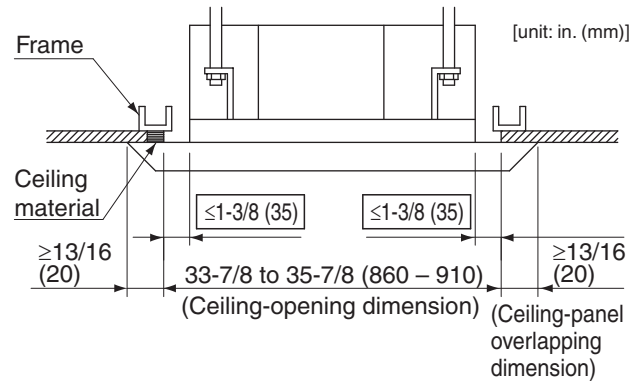


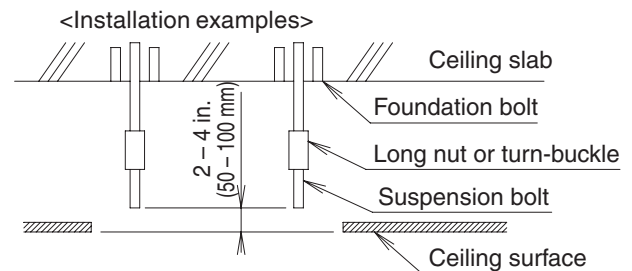
Fig. 6

- (2) Make the ceiling opening required for installation.

- Use the installation pattern paper (5) matched to the ceiling opening dimension.
- Make the ceiling opening required for installation at the installation location and carry out refrigerant/drain piping, power supply wiring, remote controller wiring (not needed in case of wireless remote controller) and wiring between the indoor and outdoor units. (Refer to each section 6. REFRIGERANT PIPING WORK, 7. DRAIN PIPING WORK and 8. ELECTRIC WIRING WORK)
- After making the opening, sometimes it is necessary to reinforce the ceiling framework to maintain a level ceiling and prevent it from vibrating. For details, consult with the builder and interior designer.

- (3) Install the suspension bolts.

- User either a M8-M10 size bolt or equipment.
- Use hole-in-anchors for the existing bolts and embedded inserts or foundation bolts for new bolts, and fix the indoor unit firmly to the building so that it may withstand the mass of the unit. In addition, adjust clearance (2 – 4 in. (50 – 100 mm)) from the ceiling in advance.



Note) The above shown parts are all field supply.

## 5. INSTALLATION OF INDOOR UNIT

<<It is easy to attach the optional parts (except for decoration panel) before installing the indoor unit. Refer to also the installation manual attached to the optional parts.>>

For installation, use the attached installation parts and specified parts.

[Install the indoor unit in the order of steps (1), (2), (3), (4), (5), and (6) in case of a newly built ceiling, or in the order of steps (1), (3), (4), and (5) in case of an existing ceiling.]

- (1) Install the indoor unit temporarily.
- Connect the hangers to the suspension bolts. Be sure to use and tighten the nut and washer (3) for each hanger from both upper and lower sides of the hanger. **(Refer to Fig. 7)**  
If the washer fixing plate (7), the upper side washer for hanger (3) will be protected from falling off. **(Refer to Fig. 8)**

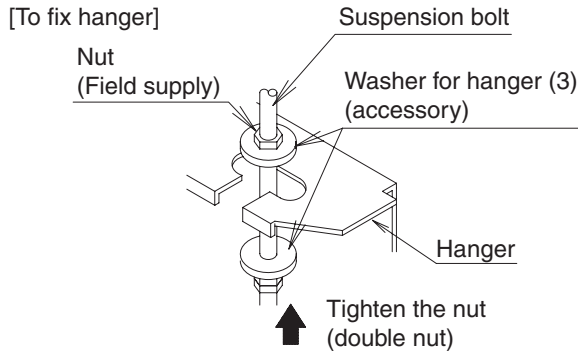


Fig. 7

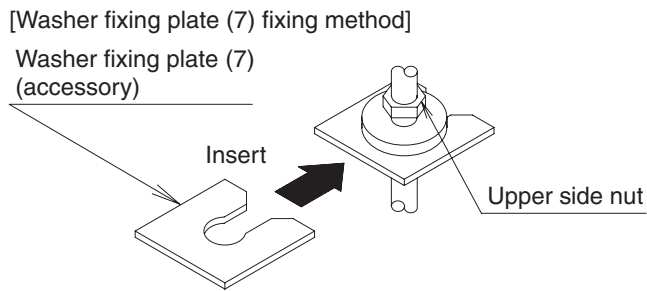
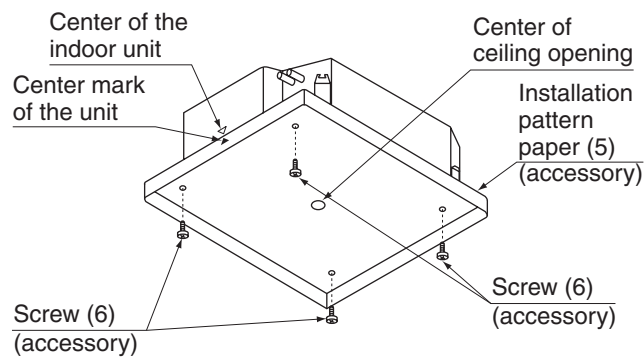


Fig. 8

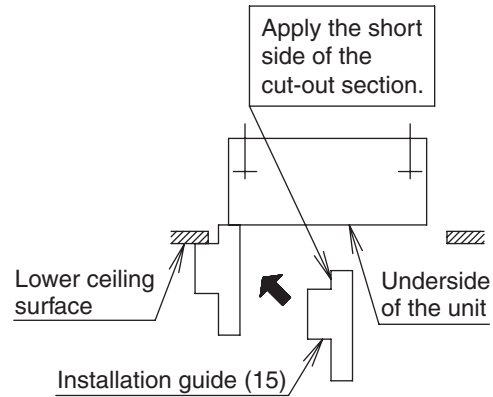
- (2)
- The installation pattern paper (5) is matched to the ceiling opening dimension. Confirm with builder the height of the ceiling from the floor.
  - The center of the ceiling opening is shown in the installation pattern paper (5). The center of the indoor unit is indicated as triangle marks on the sides and bottom of the unit and those on the installation pattern paper (5).
  - Align the triangle marks on the indoor unit with the installation paper. Put the installation pattern paper (5) on the indoor unit and fix with four screws (6).



[Installation of the installation pattern paper]

< Installation work after the ceiling work is finished >

- (3) Adjust so that the unit will be properly positioned. (Refer to 4. PREPARATION BEFORE INSTALLATION – (1))
- Using the Installation guide (15) allows you to check the positions from the underside of the unit to the lower ceiling surface.



- (4) Check the level of the unit. **(Refer to Fig. 9)**
- (5) Remove the washer fixing plate (7) used for preventing the washer for hanger (3) from falling and tighten the upper side nut.
- (6) Remove the installation pattern paper (5).

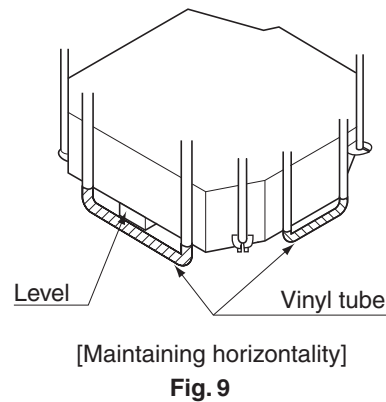


Fig. 9

### CAUTION

- **Install the indoor unit so it is horizontally level.**  
If the indoor unit is inclined and the drain piping side is higher high, it may cause malfunction of a float switch and results in water leakage.
- **Attach nuts on the upper and lower side of hanger.**  
If there is no upper nut and the lower nut is over-tightened, the hanger and the top plate malfunction and create unwanted noise.
- **Do not insert materials other than those specified into the clearance between the hanger and the washer for hanger (3).**  
Unless the washers are properly attached, the suspension bolt may come off from the hanger.

### WARNING

**The indoor unit must be securely installed on a place that can withstand the mass.**  
If the strength is insufficient, the indoor unit may fall down and cause injuries.



## 6. REFRIGERANT PIPING WORK

- For the outdoor unit refrigerant piping, refer to the installation manual attached to the outdoor unit.
- Carry out insulation of both gas and liquid refrigerant piping securely. If not insulated, it may cause water leakage. For gas piping, use insulation material of which heat resistant temperature is not less than 250°F (120 °C). For use under high humidity, strengthen the insulation material for refrigerant piping. If not strengthened, the surface of insulation material may sweat.
- Before installation work, make sure that the refrigerant is R410A or operation will malfunction.

### ⚠ CAUTION

This air conditioner is a dedicated model for new refrigerant R410A. Make sure to meet the requirements shown below and carry out installation work.

- Use dedicated piping cutters and flaring tools for R410A.
- When making a flare connection, coat the flared inner surface only with ether oil or ester oil.
- Use only the flare nuts attached to the air conditioner. If other flare nuts are used, it may cause refrigerant leakage.
- To prevent contamination or moisture from getting into the piping, take measures such as pinching or taping the pipings.

Do not mix substance other than the specified refrigerant such as air into the refrigeration circuit. If the refrigerant leaks during the work, ventilate the room.

- The refrigerant is pre-charged in the outdoor unit.
- When connecting the pipings to the air conditioner, make sure to use a spanner and a torque wrench as shown in Fig. 10.
- For the dimension of flared part and the tightening torque, refer to the Table 3.
- When making a flare connection, coat the flared inner surface only with ether oil or ester oil.

(Refer to Fig. 11)

Then, turn the flare nut 3 to 4 times with your hand and screw in the nut.

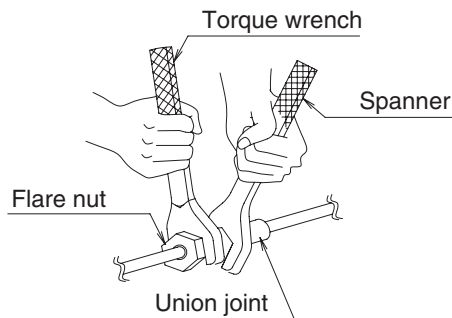


Fig. 10

Coat the flared inner surface only with ether oil or ester oil

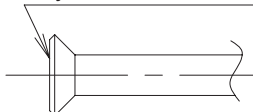


Fig. 11

Table 3

Piping size [in. (mm)]	Tightening torque [lbf-ft. (N·m)]	Dimension for processing flare A [in. (mm)]	Flare shape [in. (mm)]
φ 3/8 (9.5)	24.1 – 29.4 (36.3±3.6)	0.504 – 0.520 (13.0±0.2)	90°±2° 45°±2° R0.016-0.031 (0.4-0.8)
φ 5/8 (15.9)	45.6 – 55.6 (68.6±6.8)	0.760 – 0.776 (19.5±0.2)	

### ⚠ CAUTION

- Do not excessively tighten the flare nut. Doing so will break the flare nut and refrigerant leakage may occur.
- Make sure that all parts around the flare are free of oil. The drain pan and the resin part may be deteriorated if oil is attached.

### ⚠ CAUTION

Insulation of field piping must be carried out up to the connection inside the casing.

If the piping is exposed to the atmosphere, it may cause sweating, burn due to touching the piping, electric shocks or a fire due to the wiring touching the piping.

- After leak test, referring to Fig. 12, insulate both the gas and liquid piping connection with the attached joint insulating material (8) and (9) to prevent the pipings from getting exposed. Then, tighten the both ends of insulating material with the clamp (4).
- Wrap the sealing material (Medium-1, 2) (11) (12) around the joint insulating material (8) and (9) (flare nut section), both the gas and liquid piping.
- Make sure to bring the seam of joint insulating material (8) and (9) to the top.

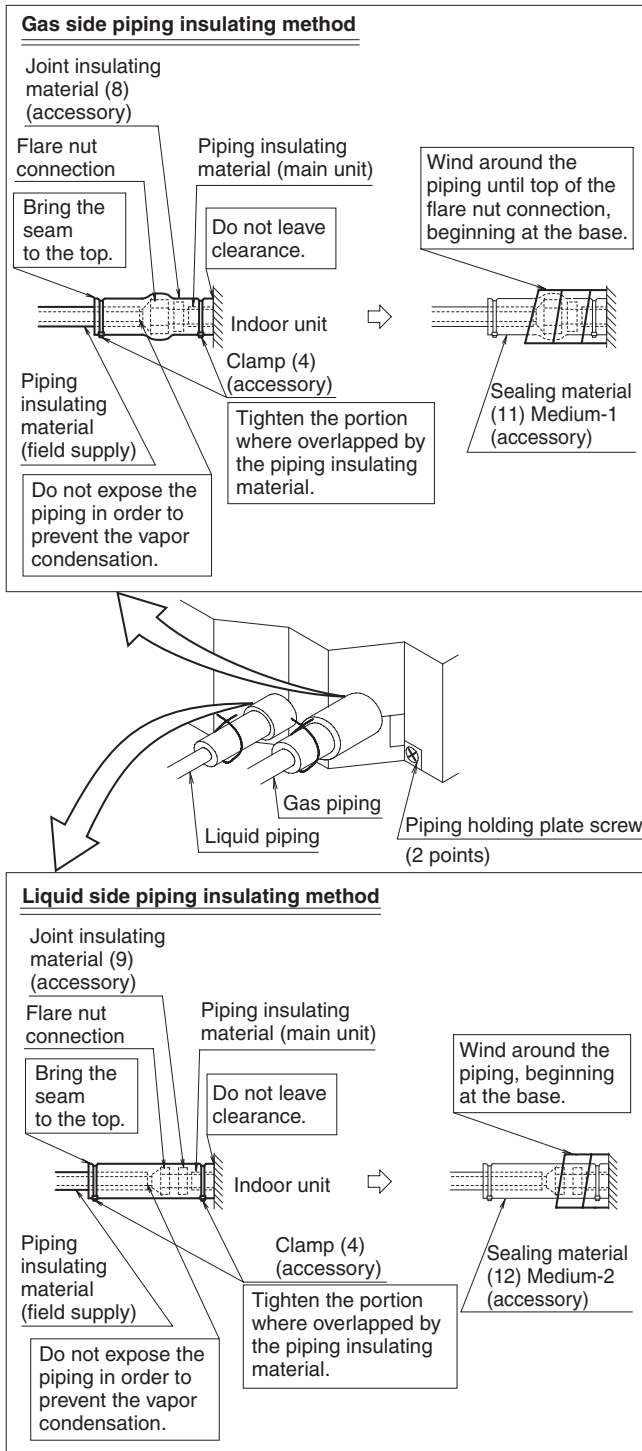


Fig. 12

- Before brazing refrigerant piping, have nitrogen flow through the refrigerant piping and substitute air with nitrogen (NOTE 1) (Refer to Fig. 13). Then, carry out brazing (NOTE 2). After all the brazing works are finished, carry out flare connection with the indoor unit. (Refer to Fig. 12)

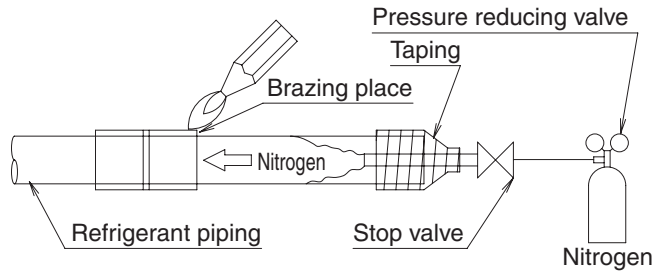


Fig. 13

**NOTE**

1. The proper pressure for having nitrogen flow through the piping is approximately 2.9 psi (0.02 MPa), (close to the pressure of breeze coming in contact with the cheek) with a pressure-reducing valve.
2. Do not use flux when brazing refrigerant piping. Use phosphor copper brazing filler metal (BCuP-2/B-Cu93P-710/795) that does not require flux. (If chlorinated flux is used, the piping will be corroded and, in addition if fluorine is contained, the refrigerant oil will be deteriorated and the refrigerant circuit will be affected badly.)
3. When carrying out leakage test of refrigerant piping and the indoor unit after the installation of indoor unit is finished, confirm the connecting outdoor unit installation manual for test pressure. Refer to the outdoor unit installation manual or technical document for refrigerant piping.
4. In case of refrigerant shortage due to forgetting additional refrigerant charge etc., it will result in malfunctions such as not cooling or heating. Refer to the outdoor unit installation manual or technical document for refrigerant piping.

**CAUTION**

**Do not use antioxidant when brazing piping.** It may result in malfunction of components and clogging of piping due to residue.

**7. DRAIN PIPING WORK**

**(1) Carry out drain piping.**

Check that the piping ensures proper draining.

- Select the piping diameter equal to or larger than (except for riser) that of the connection piping (PVC pipe piping, nominal diameter 1 in. (25 mm), outside diameter 1-1/4 in. (32 mm)).
- Install the drain piping as short as possible with downward inclination of 1/100 or more where air cannot stagnate. (Refer to Fig. 14) Bubbling sound may occur.

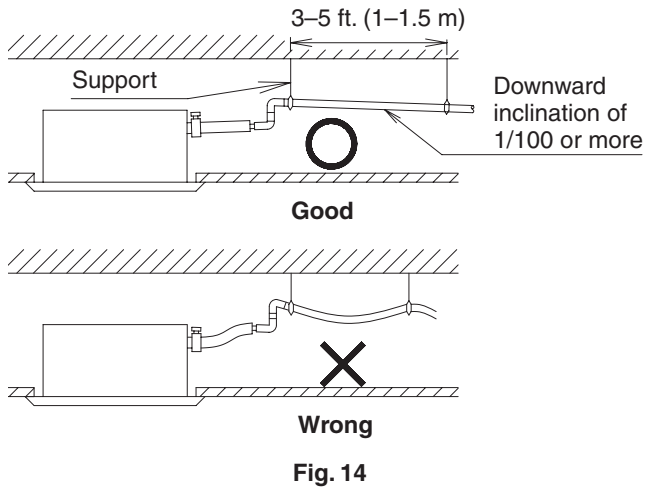


Fig. 14

**CAUTION**

If drainage stagnates in the drain piping, the piping may get clogged.

- If sufficient downward inclination cannot be ensured, carry out upward drain piping.
- Install supports at a distance of 3–5 ft. (1–1.5 m) so that the piping may not deflect. (Refer to Fig. 14)
- Make sure to use the attached drain hose (1) and the metal clamp (2).

Insert the drain hose (1) into the drain socket up to the point where the socket diameter becomes larger. Put the metal clamp (2) to the taped hose end and tighten the metal clamp (2) with torque 1.0 lbf-ft. (1.35±0.15 N·m).

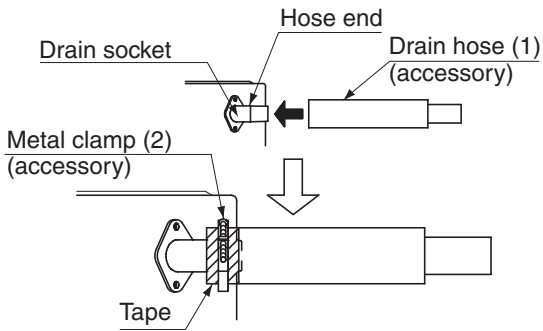
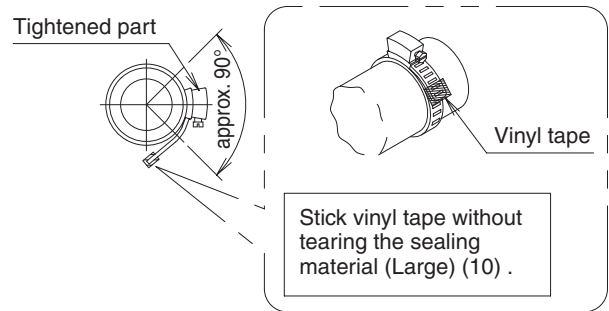


Fig. 15

**CAUTION**

- Do not tighten the metal clamp (2) with the torque more than the specified value. The drain hose (1), the socket or the metal clamp (2) may be damaged.
- Wrap the vinyl tape around the end of the metal clamp (2) so that the sealing material (Large) (10) to be used at the next process may not be damaged with the clamp end or bend the tip of the metal clamp (2) inward as shown. (Refer to Fig. 16)

**<In case of sticking vinyl tape>**



**<In case of bending the tip>**

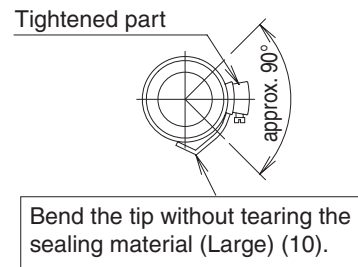


Fig. 16

**< Caution to be taken when carrying out upward drain piping (Refer to Fig. 17) >**

- The maximum height of the drain riser is 26-1/2 in. (675 mm) Since the drain pump mounted on this indoor unit is a high head type, from the characteristic point of view, the higher the drain riser the lower the draining noise. Therefore, the drain riser of 11-3/4 in. (300 mm) or higher is recommended.
- For upward drain piping, keep the horizontal piping distance of 11-3/4 in. (300 mm) or less between the drain socket root to the drain riser.

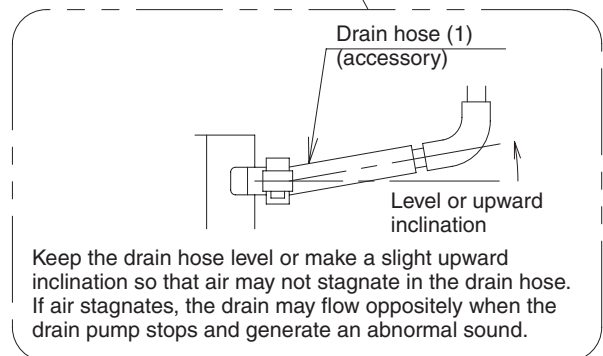
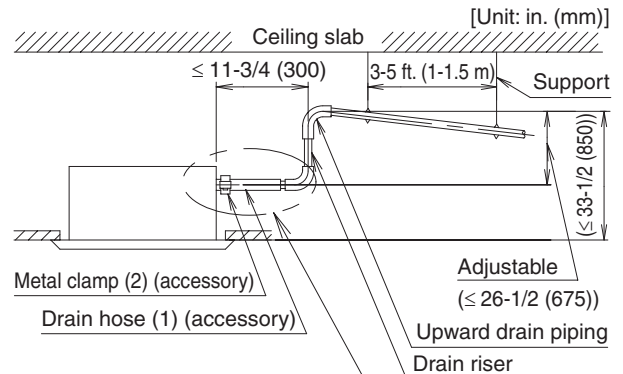
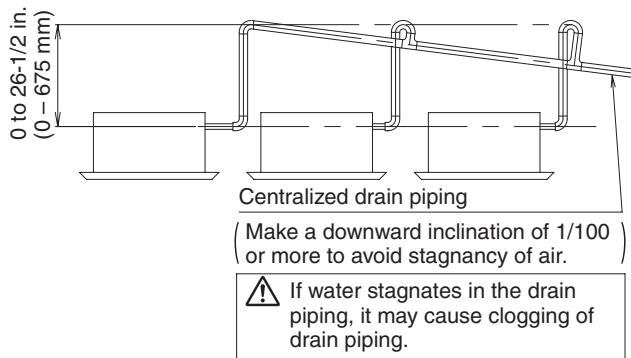


Fig. 17

**CAUTION**

- Do not apply excessive force to the attached drain hose (1) by bending or twisting it. This could cause water leakage.
- In case of centralized drain piping, carry out piping work according to the procedure shown in the following **Fig. 18**.



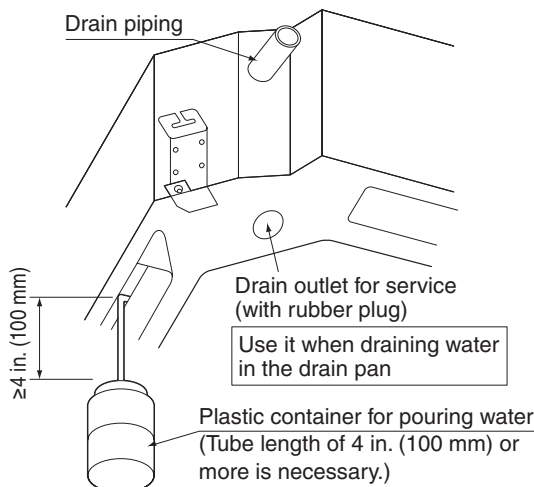
**Fig. 18**

- Select a size for the centralized drain piping that meets the capacity of indoor units to be connected. Refer to the technical document.
- When installing the new indoor unit, use the attached new drain hose (1) and the metal clamp (2). If an old drain hose or a metal clamp is used, it may cause water leakage.

**(2) After piping is finished, check if the drain flows smoothly.**

**[When the electric wiring work is finished]**

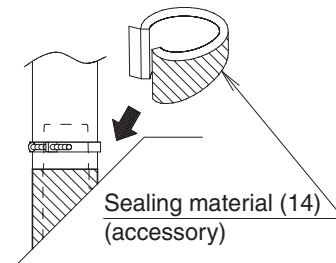
- Gradually pour 1/4 gal. (1 ℓ) of water from the air outlet on the left side of the drain socket into the drain pan using caution to avoid splashing water on the electric components such as the drain pump. Confirm drainage by operating the indoor unit under cooling mode according to **10. FIELD SETTING**. (Refer to **Fig. 19**)



[Method of adding water]

**Fig. 19**

- After checking the drainage of water, refer to **Fig. 20** and attach the sealing material (14) to perform the thermal insulation of the drain socket.

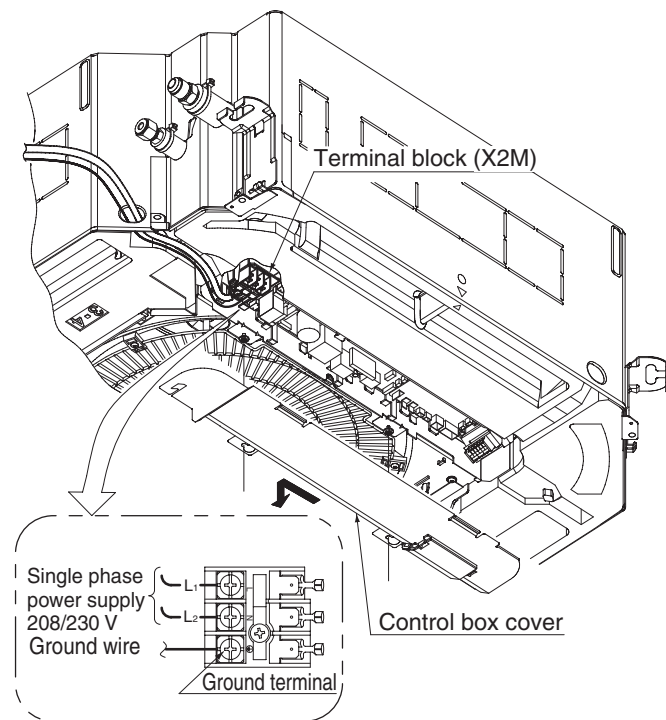


**Fig. 20**

**[When the electric wiring work is not finished]**

- The electric wiring works (including ground) must be carried out by a qualified electrician.
- If a qualified person is not present, after the electric wiring work is finished, check the drainage according to the method specified in **[When the electric wiring work is finished]**.

1. Open the control box cover and connect the single phase 208/230 V power supply to the terminal (L<sub>1</sub>, L<sub>2</sub>) on the terminal block (X2M). Connect the ground wiring to the ground terminal. (Refer to **Fig. 21**)



**Fig. 21**

2. Make sure the control box cover is closed before turning on the power supply.
  - Throughout the whole process, carry out the work using caution with wiring around the control box so that the connectors not come off.
3. Gradually pour 1/4 gal. (1 ℓ) of water from the air outlet on the left side of the drain socket into the drain pan using caution to avoid splashing water on the electric components such as the drain pump. (Refer to **Fig. 19**)

4. When the power supply is turned on, the drain pump should operate. Drainage can be checked at the transparent part of the drain socket.  
(The drain pump will automatically stop after 10 minutes.)

After checking the drainage of water, refer to **Fig. 20** and attach the sealing material (14) to perform the thermal insulation of the drain socket.

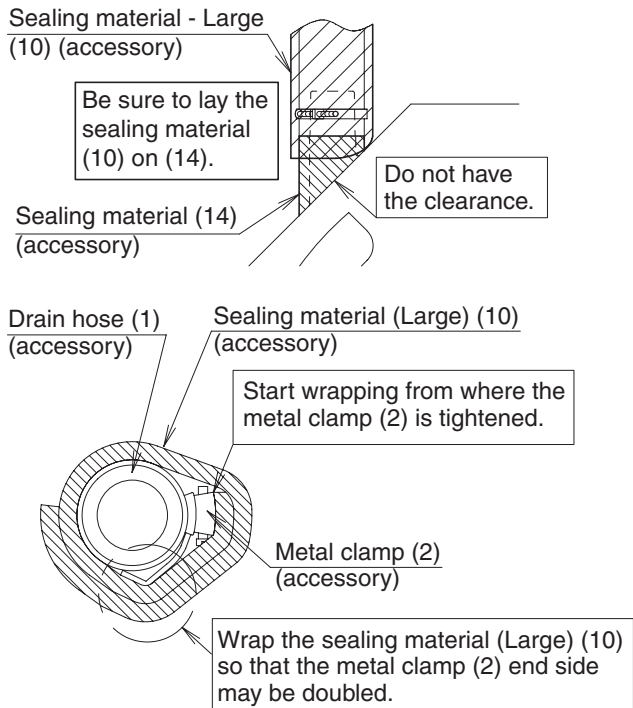
- Do not connect the drain piping directly to the sewage that gives off ammonia odor.  
The ammonia in the sewage may go through the drain piping and corrode the heat exchanger of the indoor unit.
- Do not apply external force to the float switch or it could cause malfunction.

5. Turn off the power supply after checking drainage, and remove the power supply wiring.

6. Attach the control box cover as before.
  - Do not touch the electronic parts other than the terminal block (X2M).

**(3) Sweating may occur and result in water leakage. Therefore, make sure to insulate the indoor drain piping and socket locations.**

After drainage is checked, put the attached sealing material (14) referring to **Fig. 20**, and insulate the drain hose (1) and the metal clamp (2) with the attached sealing material (Large) (10) referring to **Fig. 22**.



**Fig. 22**

## 8. ELECTRIC WIRING WORK

### 8-1 GENERAL INSTRUCTIONS

- Make sure that all electric wiring work is carried out by qualified personnel according to the applicable legislation and this installation manual, using a separate dedicated circuit.  
Insufficient capacity of the power supply circuit or improper electrical construction may lead to electric shocks or a fire.
- Make sure to install a ground fault circuit interrupter. Failure to do so may cause electrical shocks and a fire.
- Do not turn on the power supply (branch switch, branch overcurrent circuit breaker) until all the works are finished.
- Make sure to ground the air conditioner. Grounding resistance should be according to applicable legislation.
- Do not connect the ground wiring to gas or water pipings, lightning conductor or telephone ground wiring.
  - Gas piping ..... Ignition or explosion may occur if the gas leaks.
  - Water piping ..... Hard vinyl tubes are not effective ground.
  - Lightning conductor or telephone ground wiring..... Electric potential may rise abnormally if struck by a lightning bolt.
- For electric wiring work, refer to also the WIRING DIAGRAM attached to the control box cover.
- Carry out wiring between the outdoor units, indoor units and the remote controllers according to the wiring diagram.
- Carry out installation and wiring of the remote controller according to the installation manual attached to the remote controller.
- Do not touch the Printed Circuit Board assembly. It may cause malfunction.

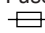
### 8-2 ELECTRICAL CHARACTERISTICS

Model	Units			Power supply		Fan motor	
	Hz	Volts	Voltage range	MCA	MOP	KW	FLA
FCQ18TAVJU	60	208/230	Max. 253 Min. 198	0.6	15	0.048	0.5
FCQ24TAVJU				0.7	15	0.048	0.5
FCQ30TAVJU				1.3	15	0.106	1.0
FCQ36TAVJU				1.5	15	0.106	1.2
FCQ42TAVJU				1.8	15	0.106	1.4
FCQ48TAVJU				1.8	15	0.106	1.4

MCA: Minimum Circuit Ampacity (A)  
 MOP: Maximum Overcurrent Protective Device (A)  
 KW: Fan Motor Rated Output (kW)  
 FLA: Full Load Ampere (A)



### 8-3 SPECIFICATION FOR FIELD SUPPLY FUSES AND WIRING

Model	Power supply wiring		Remote controller wiring Transmission wiring	
	Fuse 	Size	Wire	Size
FCQ18TAVJU	15A	Wiring size and length must comply with local codes.	2-conductor, stranded non-shielded copper cable PVC/vinyl jacket (NOTE)	AWG18-16 (0.75-1.25 mm <sup>2</sup> )
FCQ24TAVJU				
FCQ30TAVJU				
FCQ36TAVJU				
FCQ42TAVJU				
FCQ48TAVJU				

Allowable lengths of transmission wiring and remote controller wiring are as follows.

- (1) Outdoor unit – Indoor unit..... Max. 3280 ft (1,000 m)
- (2) Indoor unit – Remote controller..... Max. 1640 ft (500 m)

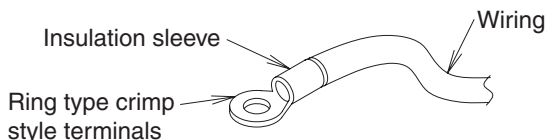
#### NOTE

- Vinyl cord with sheath or cable (Insulated thickness : 1/16 in. (1 mm) or more)

### 8-4 WIRING CONNECTION METHOD

#### CAUTION FOR WIRING

- The indoor units in the same system can be connected to the power supply from one branch switch. However, selection of branch switch, branch over current circuit breaker and wiring size must be according to applicable legislation.
- For connection to the terminal block, use a ring type crimp style terminals with insulation sleeve or insulate the wirings properly.

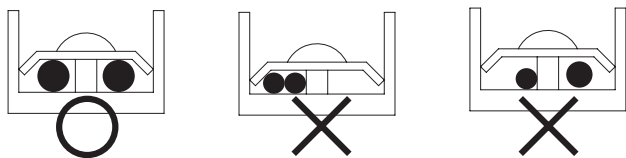


- If the above is not available, make sure to fulfill the following requirements.

Connection of 2 wirings of same size must be carried out on both sides.

Connection of 2 wirings on one side is prohibited.

Connection of wirings of different sizes is prohibited.



(Abnormal heating may occur if the wirings are not tightened securely.)

- Use the required wirings, connect them securely and fix these wirings securely so that external force may not apply to the terminals.
- Use a proper screw driver for tightening the terminal screws.  
If an improper screw driver is used, it may damage the screw head and a proper tightening cannot be carried out.

- If a terminal is over tightened, it may be damaged. Refer to the table shown below for tightening torque of terminals.

	Tightening torque [lb-ft. (N-m)]
Terminal block for remote controller and transmission wirings	0.65 ± 0.06 (0.88 ± 0.08)
Terminal for power supply	0.96 ± 0.07
Ground terminal	(1.3 ± 0.1)

- Do not carry out soldering finish when stranded wirings are used.

#### WARNING

- When wiring, form the wirings orderly so that the control box cover can be securely fastened. If the control box cover is not in place, the wirings may float up or be sandwiched by the box and the lid and cause electric shocks or a fire.

#### < Power supply wiring · ground wiring · remote controller wiring · transmission wiring connecting method >

- Power supply wiring, ground wiring  
Pass the power supply wire through the attached insulation tube (16) between the outlet of conduit and the power supply terminal, and bind them together with the attached clamp (4). (Refer to Fig. 23-2)

Use a pair of conduit mounting plates (17) to connect a conduit to the unit as shown Fig. 23-1. After connecting the power supply wiring to [L<sub>1</sub> · L<sub>2</sub>] on the power supply terminal block (X2M) and the ground wiring to the ground terminal, clamp them near the terminal block using the attached clamp (4). (Refer to Fig. 23-2)

Remote controller wiring, transmission wiring

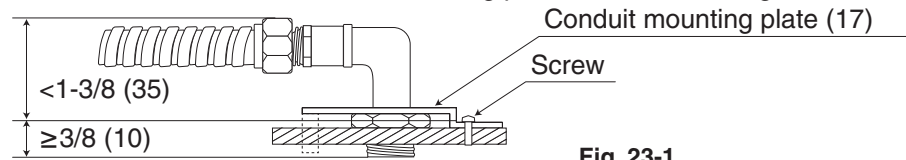
Pull the wiring through the wiring penetrating hole (low voltage). After connecting the remote controller wiring to [P<sub>1</sub> · P<sub>2</sub>] and the transmission wiring to [F<sub>1</sub> · F<sub>2</sub>] on the terminal block (X1M), clamp them near the terminal block using the attached clamp (4). (Refer to Fig. 23-2)

- After connecting the wiring, make sure to stick the sealing material (Small) (13) to the wiring penetrating hole to prevent water from entering the indoor unit. (Refer to Fig. 24)

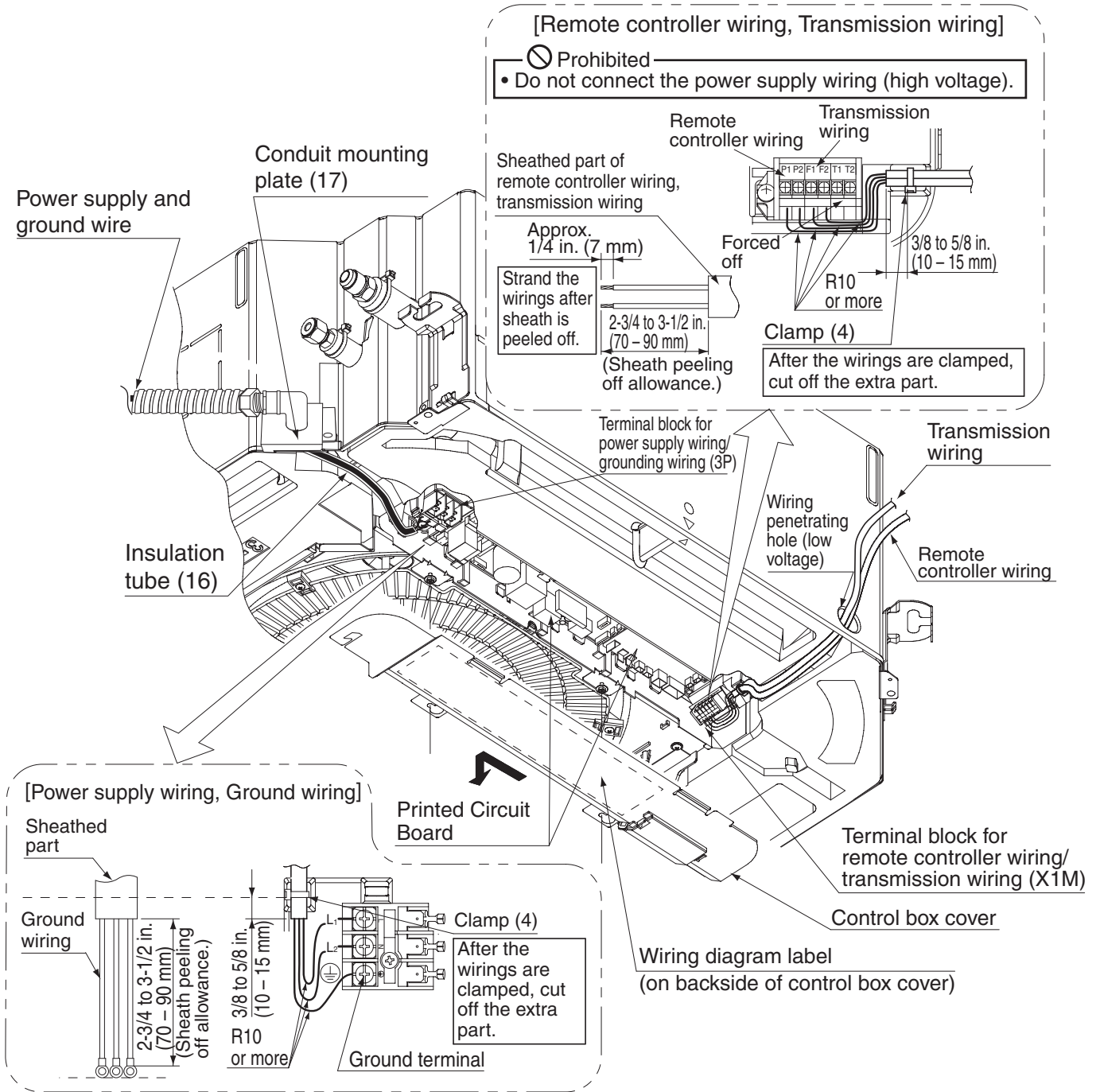
#### CAUTION

- Never connect the power supply wiring to the terminal block for remote controller/transmission wiring (X1M).  
It may damage the total system.
- Do not connect the remote controller/transmission wiring to the wrong terminal block.

- Use a 90° elbow type of conduit with dimensions **Fig. 23-1** to prevent it from hitting the swing motor housing of decoration panel.
- Do not dispose the screw which assembles casing and resin together. The screw will be used to install conduit mounting plate. Make sure to install the conduit mounting plate first before wiring.



**Fig. 23-1**



**Fig. 23-2**

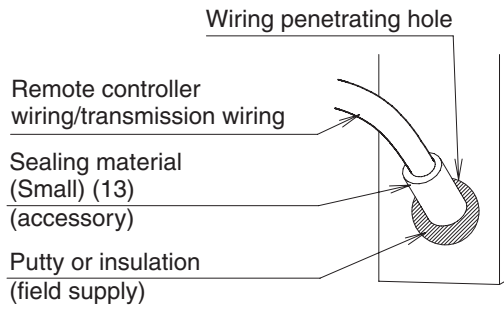


Fig. 24

<<Mending method of wiring penetrating hole>>

- After wiring connection is finished, to prevent the penetration of water, small animals and insects into the indoor unit from the outside, mend the respective covers for wiring penetrating hole for the power supply wiring/ground wiring and the remote controller wiring/transmission wiring.
- Cut the sealing material (Small) (13) into two pieces and wrap each wiring with each piece.
- Seal the clearance around the wirings with putty and insulating material (field supply).  
If insects and small animals get into the indoor unit, short circuiting may occur inside the control box.
- Keep the distance of 1-15/16 in. (50 mm) or more between low voltage wiring (remote controller wiring, transmission wiring) and the high voltage wiring (power supply wiring, ground wiring) at anywhere outside the indoor unit. If both wirings are laid down together, they may be affected by outside electrical noise and cause malfunction or failure.

8-5 WIRING EXAMPLE

COMPLETE SYSTEM EXAMPLE

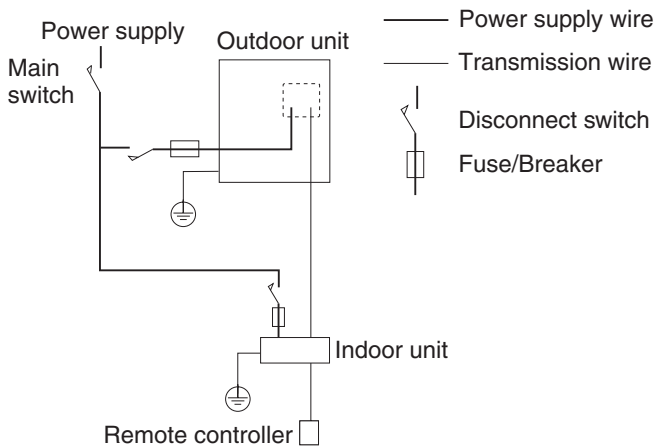


Fig. 25

1. When using 1 remote controller (Normal operation)

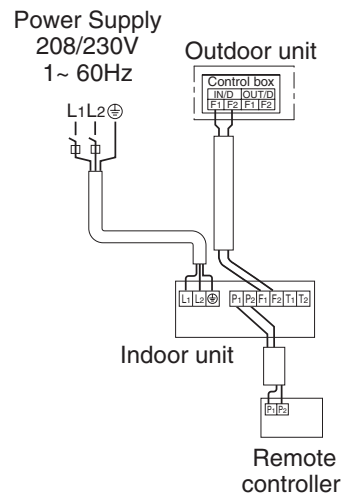


Fig. 26

2. When using 2 remote controllers

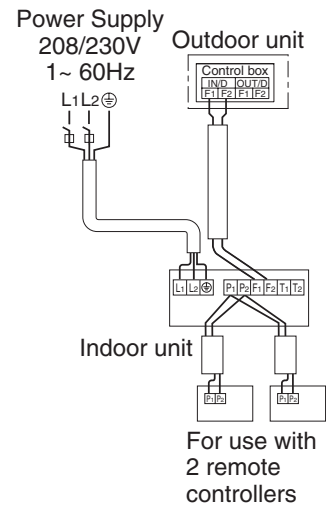


Fig. 27

[ PRECAUTIONS ]

1. Do not ground the equipment on gas pipes, water pipes or lightning rods, or crossground with telephones. Improper grounding could result in electric shock.
2. The remote controller wiring (P<sub>1</sub> and P<sub>2</sub>) and transmission wiring (F<sub>1</sub> and F<sub>2</sub>) have no polarity.

### 8-6 FOR CONTROL WITH 2 REMOTE CONTROLLERS (TO CONTROL 1 INDOOR UNIT WITH 2 REMOTE CONTROLLERS)

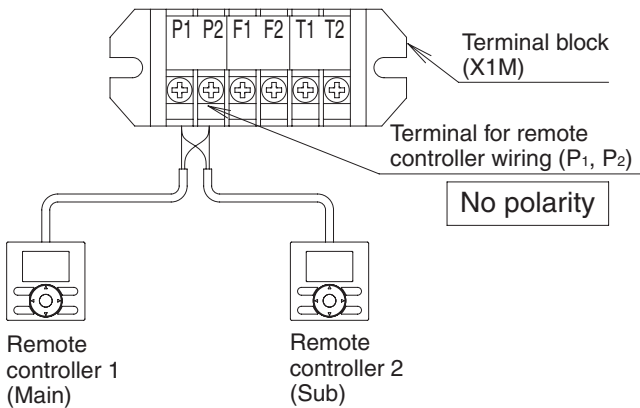
- For control with 2 remote controllers, set one remote controller as Main and the other remote controller as Sub.

#### < Changeover method from Main to Sub and vice versa >

Refer to the installation manual attached to the remote controller.

#### < Wiring method >

- Remove the control box cover.
- Carry out additional wiring from the remote controller 2 (Sub) to the terminals (P<sub>1</sub>, P<sub>2</sub>) for remote controller wiring on the terminal block (X1M) in the control box.



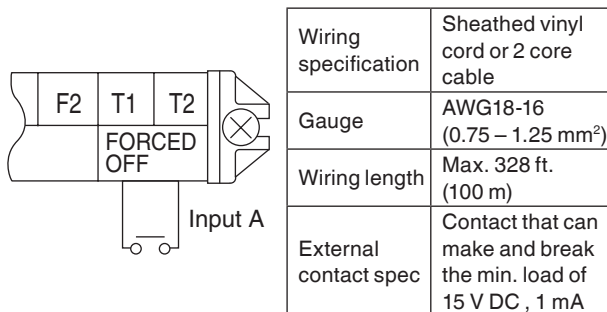
### 8-7 FOR CENTRALIZED CONTROL

- When centralized equipment (such as centralized controller) is used for control, it is required to set the group No. on the remote controller. For details, refer to the manuals attached to the centralized equipment.
- Connect the centralized equipment to the indoor unit connected to the remote controller.

### 8-8 FOR REMOTE CONTROL (FORCE OFF OR ON/OFF OPERATION)

#### (1) Wiring method and specification

- Remote control is available by connecting the external input to the terminal T<sub>1</sub> and T<sub>2</sub> on the terminal block for remote controller and transmission wiring (X1M).



#### (2) Actuation

- Input A of FORCED OFF and ON/OFF OPERATION will be as the table shown below.

	Input A = ON	Input A = OFF
In case of FORCED OFF	Remote controller prohibited	Remote controller permitted
In case of ON/OFF OPERATION	Operation	Stop

### (3) How to choose FORCED OFF or ON/OFF OPERATION

- For choosing FORCED OFF or ON/OFF OPERATION, setting by remote controller is required. (Refer to 10. FIELD SETTING.)

## 9. MOUNTING DECORATION PANEL

<<If test operation is required before mounting the decoration panel, 10. FIELD SETTING can be carried out before 9. MOUNTING DECORATION PANEL.>>

### ⚠ CAUTION

In case of a wireless remote controller, unless the decoration panel is mounted, field setting and test operation cannot be carried out.

Refer to the installation manual attached to the decoration panel.

- After the decoration panel is mounted, check if no clearance exists between the panel and the unit.
- If test operation is carried out before mounting the decoration panel, check the swing blade action after the panel is mounted.

## 10. FIELD SETTING

<<Refer to also the installation manual attached to the outdoor unit.>>

### CAUTION

Before carrying out field setting, check the items mentioned in Clause 2: **(1) Items to be checked after completion of work** on page 2. Check if all the installation and piping works for the air conditioner are completed.

- Check if the control box covers of the air conditioner are closed.

#### < FIELD SETTING >

<<After turn on the power supply, carry out field setting from the remote controller according to the installation state.>>

- Carry out setting at 3 places, MODE NO., FIRST CODE NO. and SECOND CODE NO.  
The settings shown by   in the table indicate those when shipped from the factory.
- The method of setting procedure and operation is shown in the installation manual attached to the remote controller.
- In case of remote control, for changeover of input to FORCED OFF or to ON/OFF OPERATION.
  - [1] Enter into the field setting mode with the remote controller.
  - [2] Select MODE NO. **22**.
  - [3] Set the FIRST CODE NO. to **1**.
  - [4-1] For FORCE OFF, set the SECOND CODE NO. to **01**.
  - [4-2] For ON/OFF OPERATION, set the SECOND CODE NO. to **02**.

(It is set to FORCE OFF when shipped from the factory.)
- Ask your customer to keep the manual attached to the remote controller together with the operation manual.
- Do not carry out settings other than those shown in the table.

### 10-1 SETTING CEILING HEIGHT

- Set the SECOND CODE NO. according to the ceiling height as shown in the Table 4.

Table 4

Setting	Ceiling height [in. (m)]		MODE NO.	FIRST CODE NO.	SECOND CODE NO.
	18 · 24 type	30 · 36 · 42 · 48 type			
Standard	≤ 8 to 3/4 (2.7 or less)	≤ 10 to 1/2 (3.2 or less)	23	0	<b>01</b>
				0	<b>01</b>
High ceiling 1	8-3/4 to 10 (2.7 – 3.0)	10-1/2 to 12 (3.2 – 3.6)	23	0	02
				0	02
High ceiling 2	10 to 11-1/2 (3.0 – 3.5)	12 to 13-3/4 (3.6 – 4.2)	23	0	03
				0	03

### 10-2 SETTING AIR DISCHARGE DIRECTION

- Refer to the installation manual attached to the sealing material of air discharge outlet sold separately and engineering data book, for ceiling height settings for four-direction (part of corner closed off) and three-direction.  
(The SECOND CODE NO. is factory set to **01** (all round outlet) before shipping.)

### 10-3 SETTING WHEN AN OPTIONAL ACCESSORY IS ATTACHED

- For setting when attaching an optional accessory, refer to the installation manual attached to the optional accessory.

### 10-4 WHEN USING WIRELESS REMOTE CONTROLLER

- When using a wireless remote controller, it is necessary to set the wireless remote controller address.  
Refer to the installation manual attached to the wireless remote controller.

### 10-5 SETTING FAN SPEED DURING THERMOSTAT OFF

- Set the fan speed according to the using environment after consultation with your customer.
- When the fan speed is changed, explain the set fan speed to your customer.

Table 5

Setting		MODE NO.	FIRST CODE NO.	SECOND CODE NO.
Fan speed during cooling thermostat OFF	LL (Extra low)	22	6	01
	Setting			<b>02</b>
Fan speed during heating thermostat OFF	LL (Extra low)	22	3	01
	Setting			<b>02</b>

### 10-6 SETTING FILTER SIGN

- A message to inform the air filter cleaning time will be indicated on the remote controller.
- Set the SECOND CODE NO. shown in the Table 6 according to the amount of dust or pollution in the room.
- Though the indoor unit is equipped with the long life filter, it is necessary to periodically clean the filter to avoid clogging of the filter. Please also explain the set time to the customer.
- The periodic filter-cleaning time can be shortened depending on the environment.

Table 6


Contamination	Hours until indication	MODE NO.	FIRST CODE NO.	SECOND CODE NO.	
Normal	Approx. 2,500 hrs	20	0	<b>01</b>	
More contaminated	Approx. 1,250 hrs			02	
With indication			3	01	<b>01</b>
No indication*					02

\* Use **No indication** setting when cleaning indication is not necessary such as the case of periodical cleaning being carried out.



## 11. TEST OPERATION

- The operation lamp of the remote controller will flash when a malfunction occurs. Check the malfunction code on the display to identify the point of trouble. An explanation of malfunction codes and the corresponding trouble is provided in “Service precautions” of the outdoor unit. If the display shows any of the following, there is a possibility that the wiring was done incorrectly or that the power is not on, so check again.

Remote controller display	Contents
“ A8 ”	<ul style="list-style-type: none"> <li>Error in power supply voltage to indoor unit.</li> </ul>
“ U3 ”	<ul style="list-style-type: none"> <li>Test operation of outdoor unit has not been finished.</li> </ul>
“  ”	<ul style="list-style-type: none"> <li>There is a short circuit at the FORCED OFF terminals (T<sub>1</sub>, T<sub>2</sub>)</li> </ul>
“ U4 ” “ UH ”	<ul style="list-style-type: none"> <li>The power on the outdoor unit is off.</li> <li>The outdoor unit has not been wired for power supply.</li> <li>Incorrect wiring for the transmission wiring and / or FORCED OFF wiring.</li> </ul>
None	<ul style="list-style-type: none"> <li>The power on the indoor unit is off. The indoor unit has not been wired for power supply.</li> <li>Incorrect wiring for the remote controller wiring, the transmission wiring and / or the FORCED OFF wiring.</li> </ul>



### CAUTION

After the test operation is completed, check the items mentioned in **2. BEFORE INSTALLATION (2) Items to be checked at time of delivery** on page 2.

If the interior finish work is not completed when the test operation is finished, for protection of the air conditioner, ask the customer not to operate the air conditioner until the interior finish work is completed.

If the air conditioner is operated, the inside of the indoor unit may be polluted by substances generated from the coating and adhesives used for the interior finish work and cause water splash and leakage.



### To the operator carrying out test operation

After the test operation is completed, before delivering the air conditioner to the customer, confirm that the control box cover, the air filter and suction grille are attached.

In addition, explain the power supply status (power supply ON/OFF) to the customer.

**DAIKIN INDUSTRIES, LTD.**

Head office:  
Umeda Center Bldg., 2-4-12, Nakazaki-Nishi,  
Kita-ku, Osaka, 530-8323 Japan

Tokyo office:  
JR Shinagawa East Bldg., 2-18-1, Konan,  
Minato-ku, Tokyo, 108-0075 Japan

**DAIKIN NORTH AMERICA LLC**

5151 San Felipe, Suite 500  
Houston, TX 77056

