

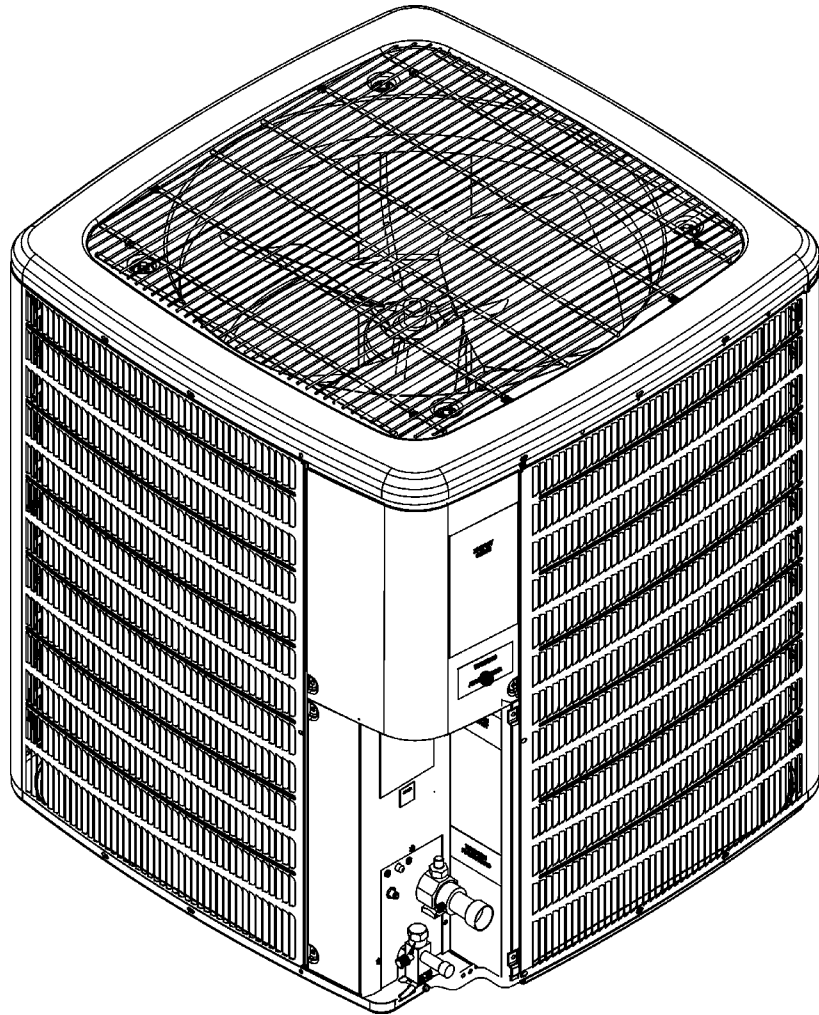
DZ11SA Remote Heat Pumps (3-Phase)

DZ11SA0903AA

DZ11SA0904AA

DZ11SA1203AA

DZ11SA1204AA



This manual is to be used by qualified technicians only.

© 2013 Daikin Manufacturing Company, L.P. ♦ 5151 San Felipe St., Suite 500 ♦ Houston, TX 77056

Important Information

Index

Functional Parts List	3
Illustration and Parts	4 - 9

Views shown are for parts illustrations only, not servicing procedures.

Introduction of the Daikin branded products.

Text Codes:

AR - As Required

NA - Not Available

NS - Not Shown

00000000 - See Note

QTY - Quantity Example (QTY 3) (If Quantity not shown, Quantity = 1)

M - Model Example (M1) (If M Code not shown, then part is used on all Models)

Expanded Model Nomenclature:

Example
M1 - Model#1
M2 - Model#2
M3 - Model#3

Daikin Manufacturing Company, L.P. is not responsible for personal injury or property damage resulting from improper service. Review all service information before beginning repairs.

Warranty service must be performed by an authorized technician, using authorized factory parts. If service is required after the warranty expires, Daikin Manufacturing Company, L.P. also recommends contacting an authorized technician and using authorized factory parts.

Daikin Manufacturing Company, L.P. reserves the right to discontinue, or change at any time, specifications or designs without notice or without incurring obligations.

For assistance within the U.S.A. contact:

Consumer Affairs Department

Daikin North America, LLC

7401 Security Way

Houston, Texas 77040

855-770-5678-Telephone

713-863-2382-Facsimile

For assistance outside the U.S.A. contact:

International Division

Daikin North America, LLC

7401 Security Way

Houston, Texas 77040

713-861-2500-Telephone

713-863-2382-Facsimile

Functional Parts

Part

No: Description:

0151R00030	BALL VALVE
CAP200000440RP	CAPACITOR 20/370V
ZP103KCETF5155	COMP, 105,000, 200/230/60/3 (M3)
ZP103KCETFD250	COMP, 105000, 460/60/3 (M4)
ZP83KCETFD130	COMP, 83000, 460/60/3 (M2)
ZP83KCETF5250	COMPRESSOR, 83000, 200/230/60/3 (M1)
0131M00040	COND MOTOR 1 HP, 1 SP, 230V (M1, M3)
0131M00041	COND MOTOR 1 HP, 1 SP, 460V (M2, M4)
CONT3P040024V	CONTACTOR 40 AMP, 3P, 24V
0130M00105	CONTROL DEFROST
0130L00023	CRANK CASE HEATER 70W 240V (M1)
0130L00024	CRANK CASE HEATER 70W, 480V (M2)
0163R00008	CRANKCASE HEATER, 460V, 90W (M4)
0163R00009	CRANKCASE HEATER, 240V, 90W (M3)
0151R00029	EXPANSION VALVE
B1086768	FAN BLADE 26"
PCBDM133	PCB, DEFROST CONTROL
B1225022	SOLENOID COIL
0130M00089	SW-CUTOUT HI PRESS
0130M00088	SW-CUTOUT LOW PRESS
0151R00000P	VALVE, REVERSING CPLE120 (M3, M4)
0151R00001P	VALVE, REVERSING CPLE090 (M1, M2)

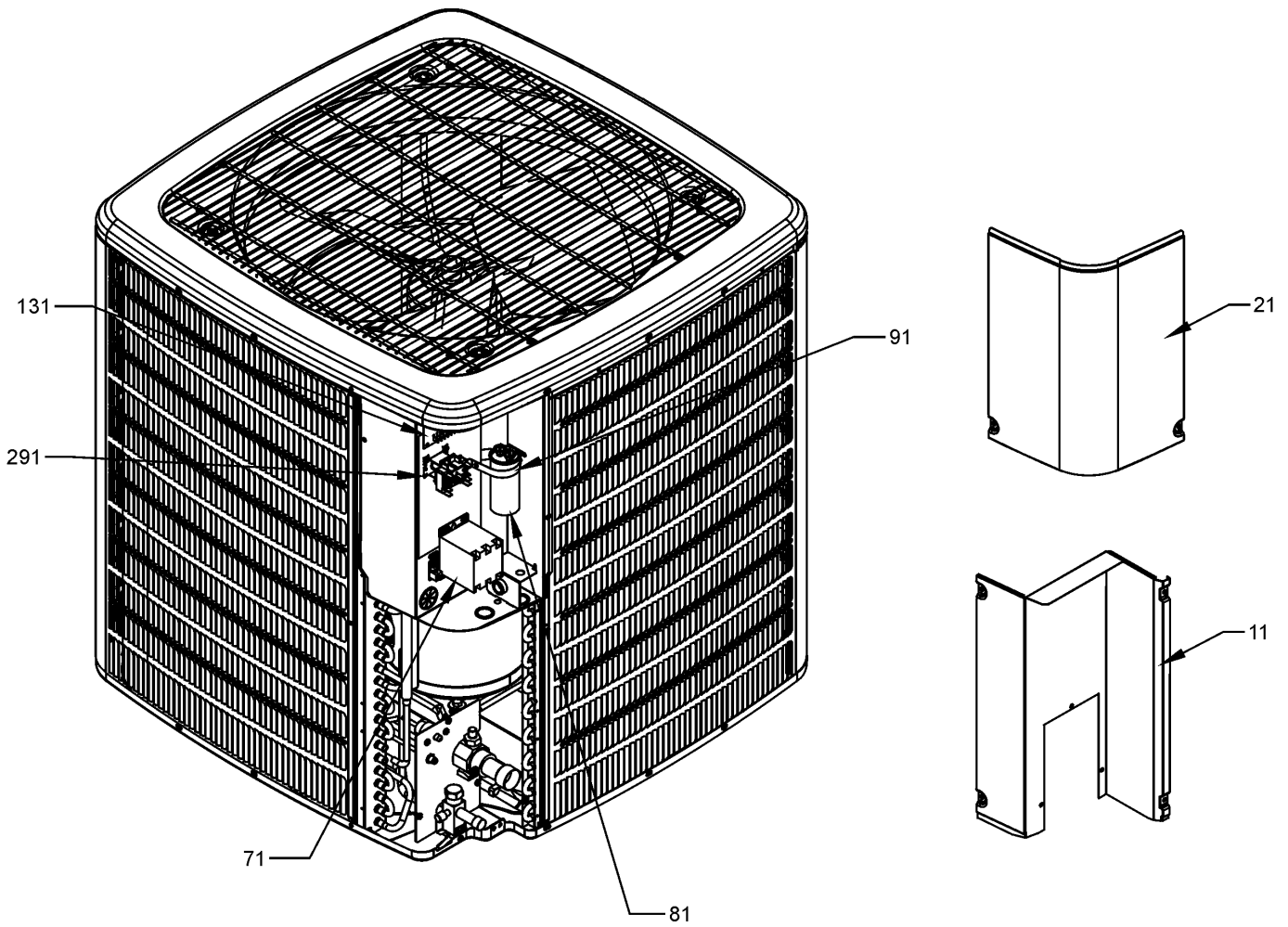
SPECIAL PARTS

0161R00037 NAMEPLATE, DAIKIN

Expanded Model Nomenclature

M1 - DZ11SA0903AA
M2 - DZ11SA0904AA
M3 - DZ11SA1203AA
M4 - DZ11SA1204AA

Control Cover / Control Box



Control Cover / Control Box

Ref. Part No:	No:	Description:	Ref. Part No:	No:	Description:
---------------	-----	--------------	---------------	-----	--------------

Image 1:

11	0121R00330PNG	LOWER ACCESS PANEL
21	0121R00053PNG	CONTROL COVER
71	CONT3P040024V	CONTACTOR 40 AMP, 3P, 24V
81	CAP200000440RP	CAPACITOR 20/370V
91	4400065	CAPACITOR STRAP
131	PCBDM133	PCB, DEFROST CONTROL
291	0130M00025	24V RELAY
NS	0161R00037	NAMEPLATE, DAIKIN
NS	B1372801	SIGHT GLASS CL90/120

Expanded Model Nomenclature

- M1 - DZ11SA0903AA
- M2 - DZ11SA0904AA
- M3 - DZ11SA1203AA
- M4 - DZ11SA1204AA

Compressor / Tubing Assembly

Image 1

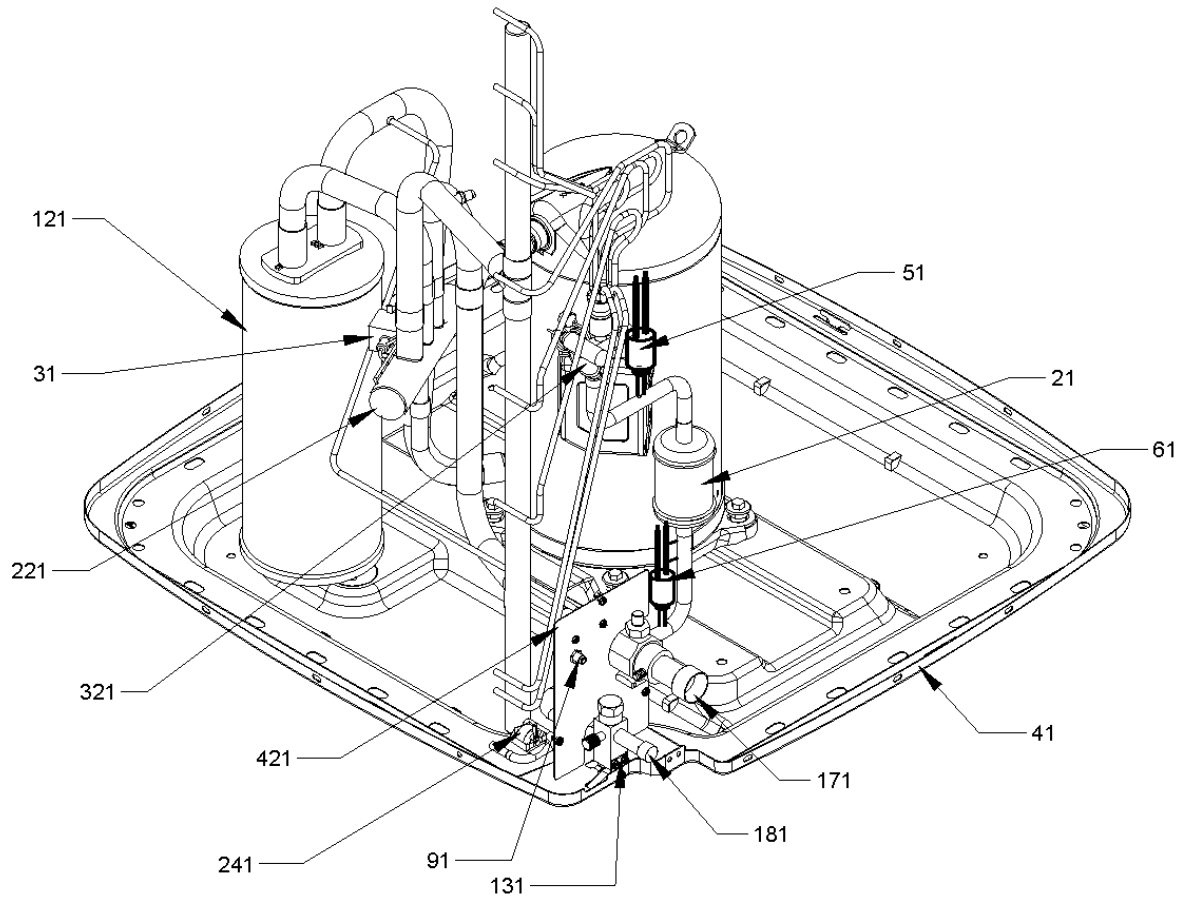


Image 2

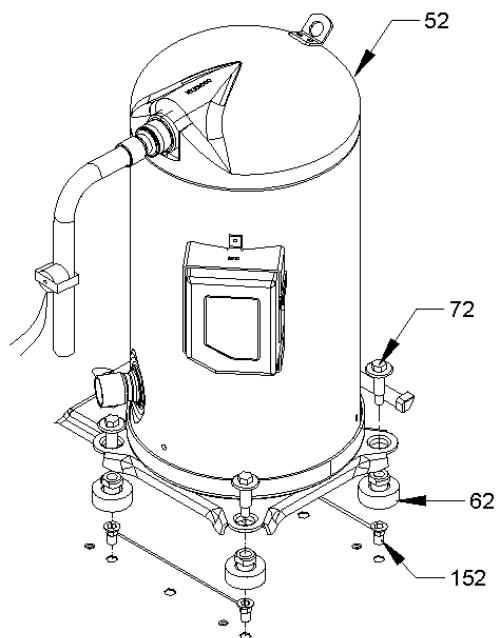
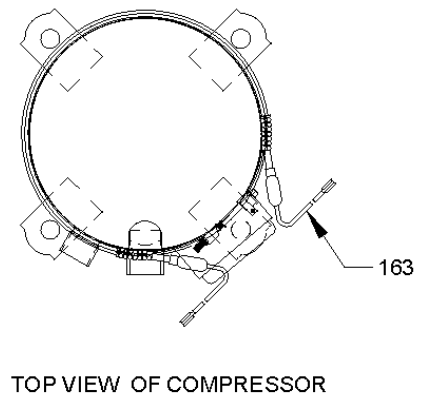


Image 3



Compressor / Tubing Assembly

Ref. Part No: No:	Description:	Ref. Part No: No:	Description:
-------------------	--------------	-------------------	--------------

Image 1:

21	B1219227	FILTER DRIER (BI-FLOW)
31	B1225022	SOLENOID COIL
41	0121R00007PNG	BASE PAN 35"
51	0130M00088	SW-CUTOUT LOW PRESS
61	0130M00089	SW-CUTOUT HI PRESS
91	B1787000	VALVE CORE
121	B1226212	ACCUMULATOR
131	4400031	VALVE BRACKET
171	0151R00030	BALL VALVE
181	B1282573	BASE VALVE 5/8"
221	0151R00000P	VALVE, REVERSING CPLE120 (M3, M4)
221	0151R00001P	VALVE, REVERSING CPLE090 (M1, M2)
241	0130M00105	CONTROL DEFROST
321	0151R00029	EXPANSION VALVE
421	0121R00300PNG	BALL VALVE MOUNTING PANEL, PNT
NS	0163M00087	ACCESS FITTING
NS	0163M00175	CAP WITH O-RING
NS	0159G00003	COMPRESSOR HARNESS (M2)
NS	0159L00053	HARNESS, COMP SCROLL (M3)
NS	0130M00083	SOLENOID HARNESS W/1/4" TERM

Image 2:

52	ZP103KCETF5155	COMP, 105,000, 200/230/60/3 (M3)
52	ZP103KCETFD250	COMP, 105000, 460/60/3 (M4)
52	ZP83KCETFD130	COMP, 83000, 460/60/3 (M2)
52	ZP83KCETF5250	COMPRESSOR, 83000, 200/230/60/3 (M1)
62	0164M00018	COMPRESSOR GROMMET (QTY 4)
72	B1393740	COMPRESSOR BOLT & SLEEVE (QTY 4)
152	B1393027	HEX NUT INSERT 5/16-18 (QTY 4)

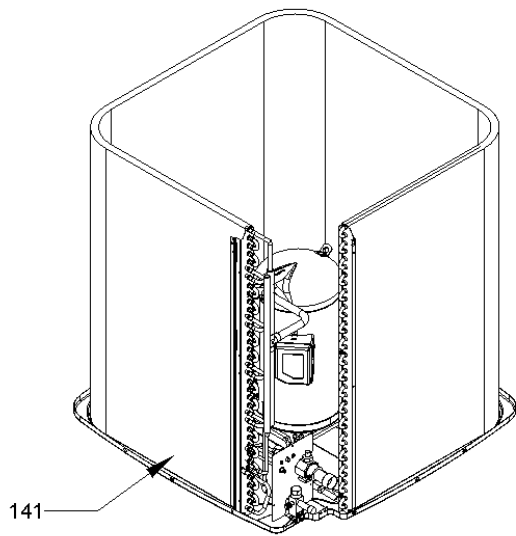
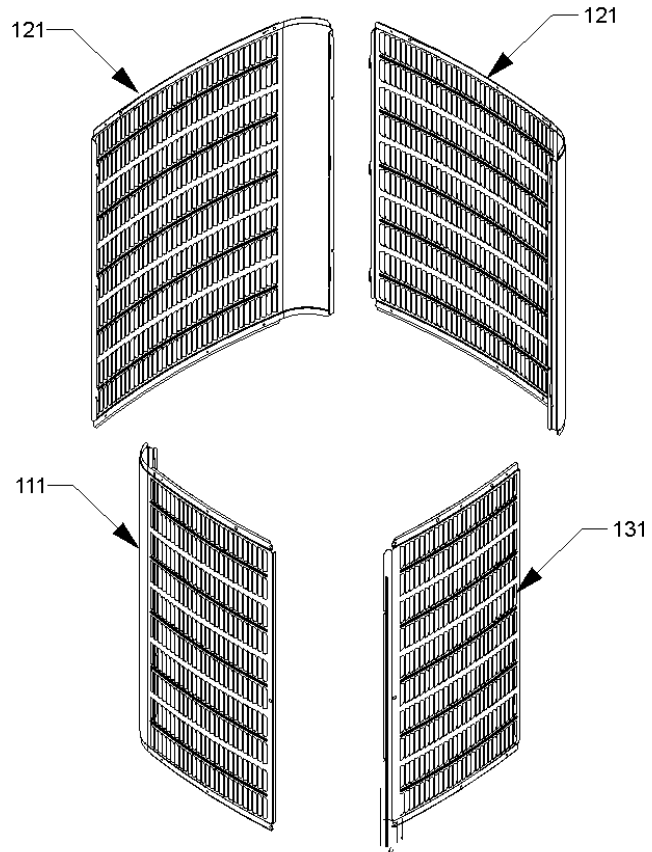
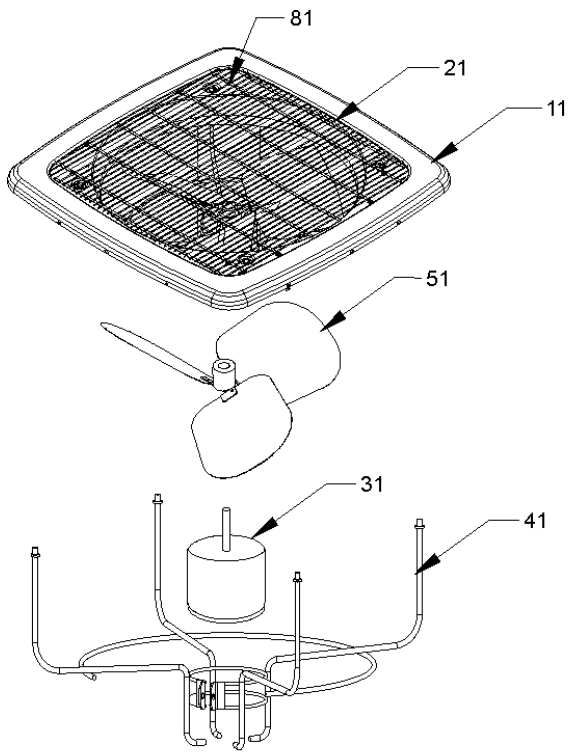
Image 3:

163	0130L00023	CRANK CASE HEATER 70W 240V (M1)
163	0130L00024	CRANK CASE HEATER 70W, 480V (M2)
163	0163R00008	CRANKCASE HEATER, 460V, 90W (M4)
163	0163R00009	CRANKCASE HEATER, 240V, 90W (M3)

Expanded Model Nomenclature

M1 - DZ11SA0903AA
M2 - DZ11SA0904AA
M3 - DZ11SA1203AA
M4 - DZ11SA1204AA

Cabinet Top / Coil / Side Panels



Cabinet Top / Coil / Side Panels

Ref. Part

No: No:

Description:

Ref. Part

No: No:

Description:

Image 1:

11	0121R00013PNG	VENTURI TOP PANEL 35"
21	0152R00013	GRILL, WIRE 35" COM TOP
31	0131M00040	COND MOTOR 1 HP, 1 SP, 230V (M1, M3)
31	0131M00041	COND MOTOR 1 HP, 1 SP, 460V (M2, M4)
41	0121R00301	BRACKET, MOTOR MOUNTING
51	B1086768	FAN BLADE 26"
81	0163M00003P	SCREW #10 X 1/2, A, SLOT, SR, BLACK (QTY 2)
111	0121R00043PNGB	LOUVERED SIDE PANEL [LT OF CNTL PNL]
121	0121R00047PNGB	LOUVERED SIDE PANEL (QTY 2)
131	0121R00051PNG	LOUVERED SIDE PANEL [RT OF CNTL PNL]
141	0201R00378	TUBING ASSY, COND COIL

Expanded Model Nomenclature

M1 - DZ11SA0903AA

M2 - DZ11SA0904AA

M3 - DZ11SA1203AA

M4 - DZ11SA1204AA